



(12) **United States Design Patent** (10) **Patent No.:** **US D895,686 S**
Meile et al. (45) **Date of Patent:** **** Sep. 8, 2020**

(54) **PURIFIER FOR USE IN GRAIN MILLING INSTALLATIONS**

FOREIGN PATENT DOCUMENTS

EP 334180 * 3/1989 B07B 4/08

(71) Applicant: **BÜHLER AG**, Uzwil (CH)

OTHER PUBLICATIONS

(72) Inventors: **Andreas Meile**, Sirmach (CH); **Jürgen Moosmann**, Berg (DE); **Paolo Fancelli**, Bellinzona (CH)

FQFD Flour cleaning maching (Year: 2017).*

(73) Assignee: **BÜHLER AG**, Uzwil (CH)

* cited by examiner

(**) Term: **15 Years**

Primary Examiner — Richard E Chilcot

(21) Appl. No.: **35/506,199**

(74) *Attorney, Agent, or Firm* — Davis & Bujold, P.L.L.C.; Michael J. Bujold

(22) Filed: **Jun. 12, 2018**

(80) **Hague Agreement Data**

(57) **CLAIM**

Int. Filing Date: **Jun. 12, 2018**
 Int. Reg. No.: **DM/102301**
 Int. Reg. Date: **Jun. 12, 2018**
 Int. Reg. Pub. Date: **Dec. 14, 2018**

The ornamental design for a purifier for use in grain milling installations, as shown and described.

(51) **LOC (12) Cl.** **15-03**

DESCRIPTION

(52) **U.S. Cl.**
 USPC **D15/10**
 CPC **B07B 9/02 (2013.01)**

(58) **Field of Classification Search**
 USPC D15/10, 122, 131; D32/1
 CPC B07B 9/02; B07B 1/55; B02B 1/00-08
 See application file for complete search history.

1. Purifier, for use in grain milling installations
- 1.1 : Perspective
- 1.2 : Left
- 1.3 : Right
- 1.4 : Front
- 1.5 : Back
- 1.6 : Top
- 1.7 : Bottom and
- 1.8 : Perspective.

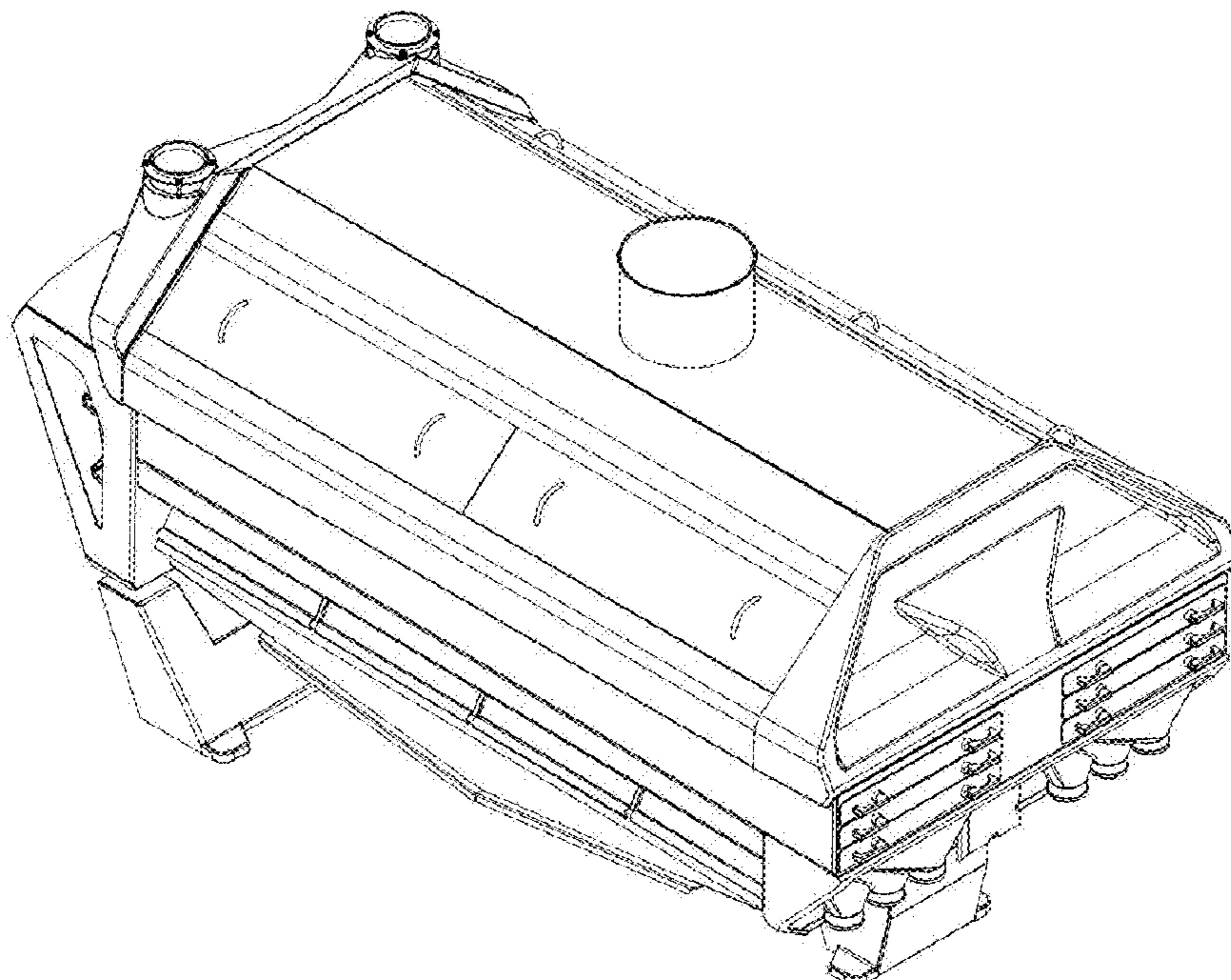
(56) **References Cited**

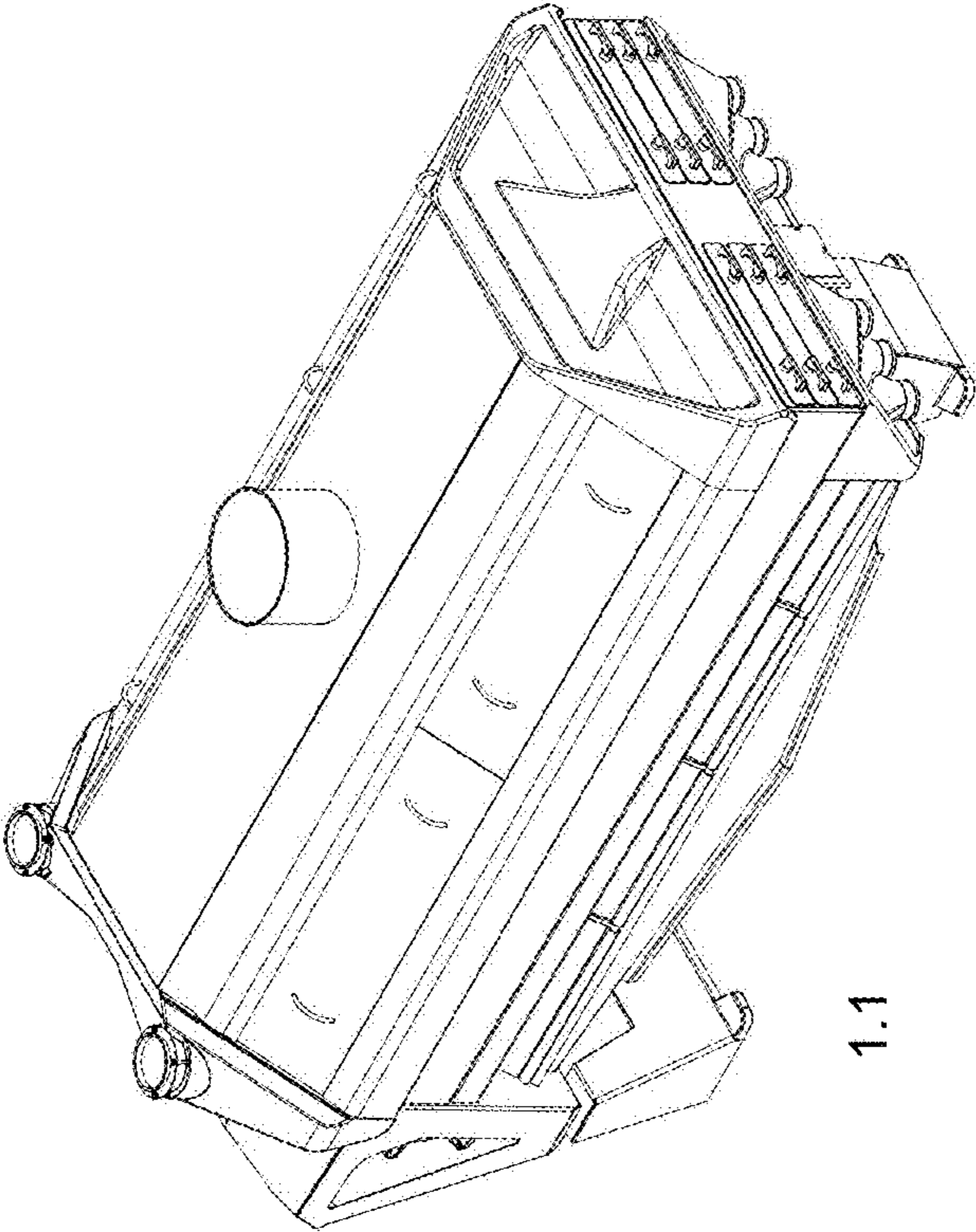
U.S. PATENT DOCUMENTS

1,799,010 A * 3/1931 Farris B07B 9/02
 209/138
 D751,608 S * 3/2016 Nishimura D15/10

The parts shown by means of blue coloring in the reproductions are not part of the claimed designs.

1 Claim, 8 Drawing Sheets





1.1

