



US00D895685S

(12) **United States Design Patent** (10) **Patent No.:** **US D895,685 S**  
**Park et al.** (45) **Date of Patent:** **\*\* Sep. 8, 2020**

(54) **TURBINE HOUSING**

U.S. Appl. No. 29/682,180, filed Mar. 1, 2019, Park.  
U.S. Appl. No. 16/370,964, filed Mar. 30, 2019, Park.

(71) Applicant: **Savant Holdings LLC**, South Jordan, UT (US)

*Primary Examiner* — Derrick E Holland  
(74) *Attorney, Agent, or Firm* — Austin Rapp

(72) Inventors: **Bret J. Park**, South Jordan, UT (US);  
**Zackary D. Swasey**, Bountiful, UT (US)

(57) **CLAIM**

The ornamental design for a turbine housing, as shown and described.

(73) Assignee: **Savant Holdings LLC**, South Jordan, UT (US)

**DESCRIPTION**

(\*\*) Term: **15 Years**

FIG. 1 is a first top perspective view of a turbine housing, according to our new design;

(21) Appl. No.: **29/667,153**

FIG. 2 is a second top perspective view of the turbine housing of FIG. 1;

(22) Filed: **Oct. 18, 2018**

FIG. 3 is a first bottom perspective view of the turbine housing of FIG. 1;

(51) **LOC (12) Cl.** ..... **15-01**

(52) **U.S. Cl.**  
USPC ..... **D15/5; D13/113**

FIG. 4 is a second bottom perspective view of the turbine housing of FIG. 1;

(58) **Field of Classification Search**  
USPC ..... D13/101, 112, 113, 114, 118, 122, 184,  
D13/199; D15/1, 5, 9, 199; D23/233

FIG. 5 is a left side elevational view of the turbine housing of FIG. 1;

CPC . F01D 5/06; F01D 9/041; F01D 9/045; F01D  
17/165; F02B 33/40; F02B 37/00; F05D  
2240/60; F05D 2240/128; F05D

FIG. 6 is a right side elevational view of the turbine housing of FIG. 1;

(Continued)

FIG. 7 is a front side elevational view of the turbine housing of FIG. 1;

(56) **References Cited**

**U.S. PATENT DOCUMENTS**

FIG. 8 is a rear side elevational view of the turbine housing of FIG. 1;

D368,269 S \* 3/1996 Chapman ..... D15/5  
D413,122 S \* 8/1999 Chapman ..... D15/5  
6,269,642 B1 8/2001 Arnold

FIG. 9 is a top plan view of the turbine housing of FIG. 1;

(Continued)

FIG. 10 is a bottom plan view of the turbine housing of FIG. 1;

**FOREIGN PATENT DOCUMENTS**

EP 0226444 6/1987

FIG. 11 is a top perspective view of the turbine housing of FIG. 1 shown in an alternate environment;

**OTHER PUBLICATIONS**

U.S. Appl. No. 29/667,151, filed Oct. 18, 2018, Park.

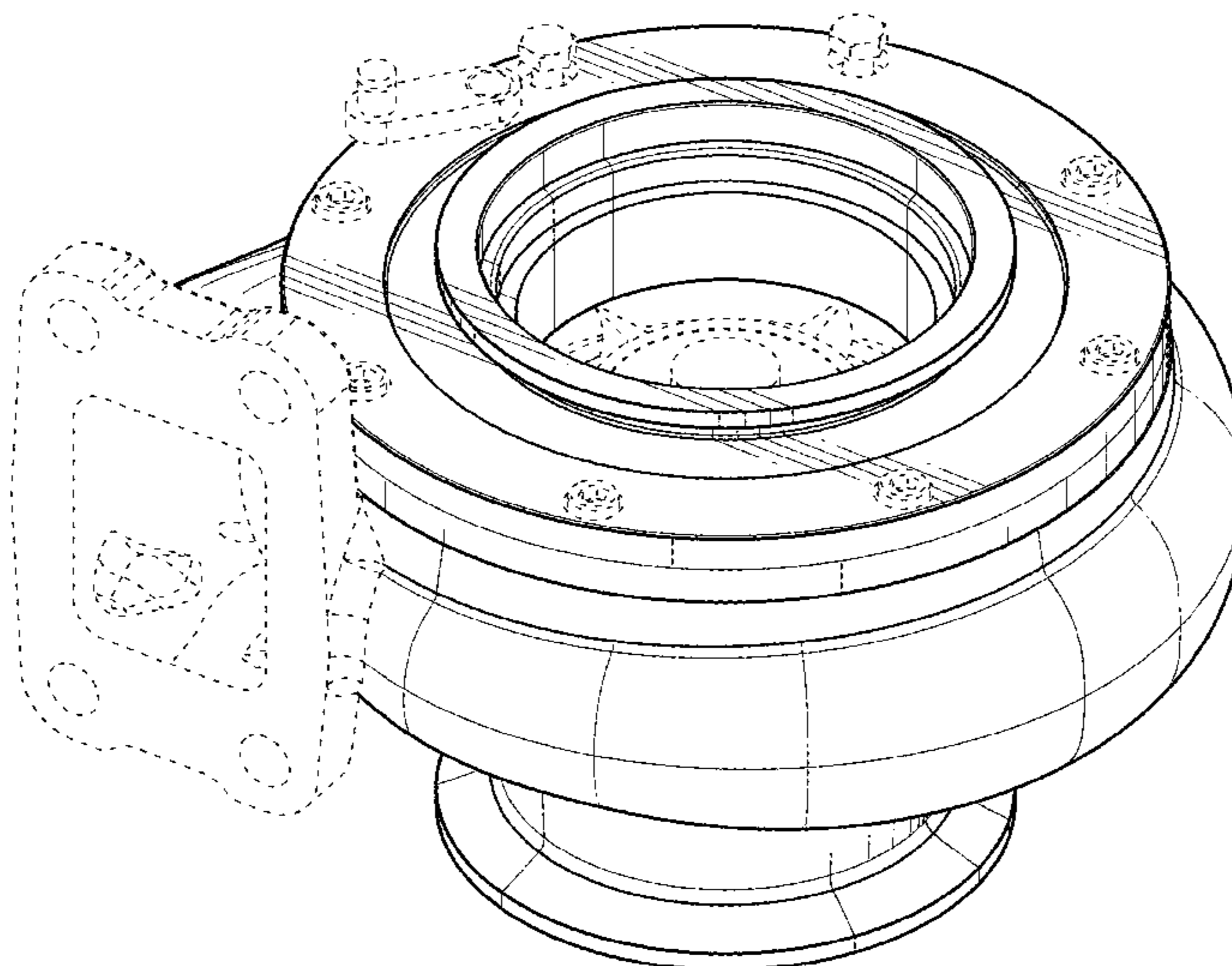
FIG. 12 is a front side elevational view of the turbine housing of FIG. 11;

FIG. 13 is a top perspective view of the turbine housing of FIG. 1 shown in another alternate environment; and,

FIG. 14 is a front side elevational view of the turbine housing of FIG. 13.

The portions shown in broken lines comprise environmental structure and form no part of the claimed design.

**1 Claim, 14 Drawing Sheets**



(58) **Field of Classification Search**

CPC . 2260/4031; C22C 38/02; C22C 38/04; C22C  
38/44

See application file for complete search history.

(56) **References Cited**

U.S. PATENT DOCUMENTS

D543,495 S \* 5/2007 Williams ..... D12/345  
D734,364 S \* 7/2015 Blythe ..... F01N 13/1816  
D15/5  
D793,452 S \* 8/2017 Regnier ..... D15/5  
D802,531 S \* 11/2017 Liao ..... D13/122  
10,087,820 B2 10/2018 Uesugi  
10,145,267 B2 12/2018 Yokoyama  
10,161,305 B2 12/2018 Ikegami  
2009/0123272 A1 5/2009 Love  
2009/0206611 A1\* 8/2009 Gilbert ..... F03D 1/025  
290/55  
2016/0226340 A1\* 8/2016 Perriere ..... H02K 5/12  
2017/0234153 A1\* 8/2017 Williams ..... F02B 33/40  
415/148

\* cited by examiner

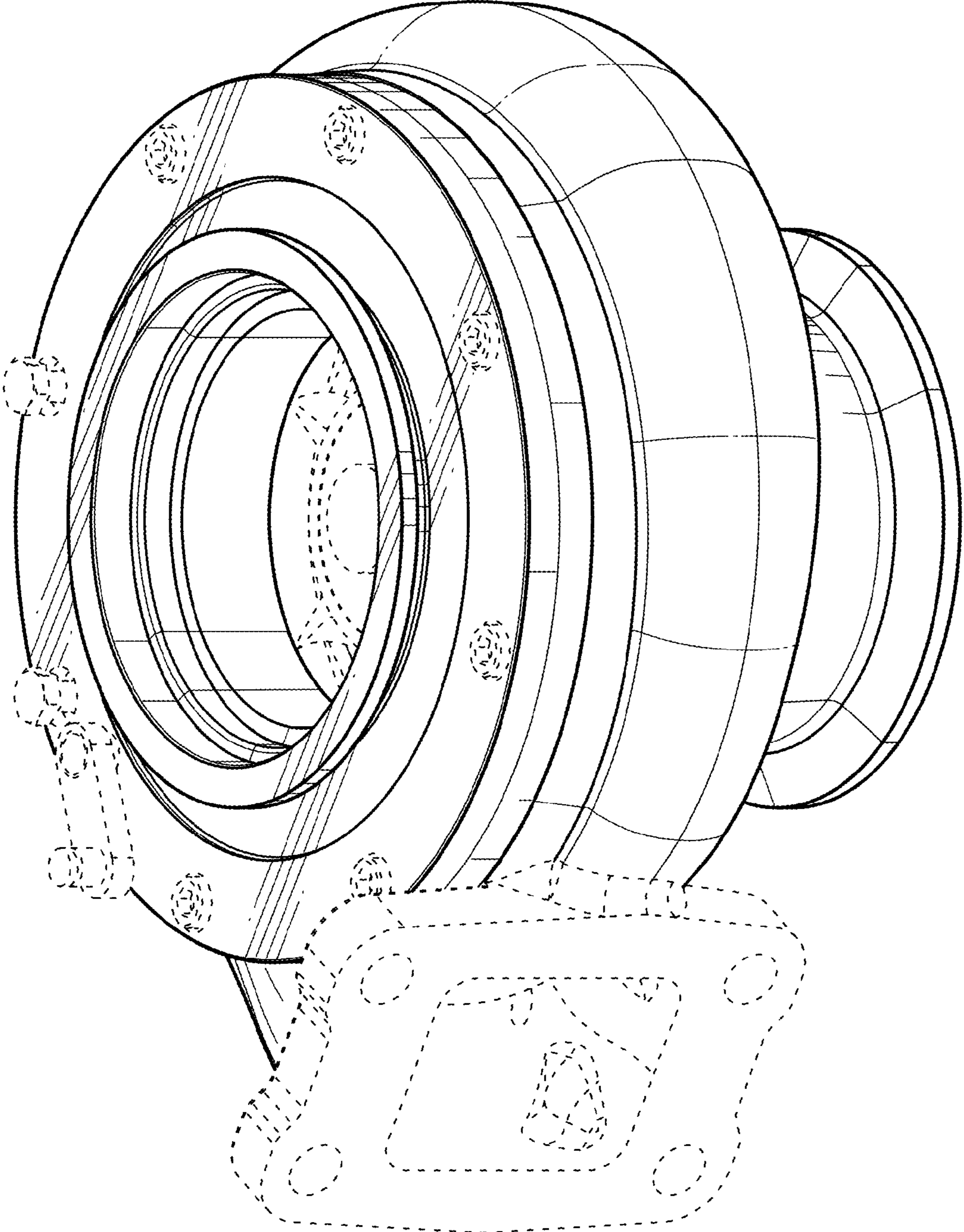


FIG. 1

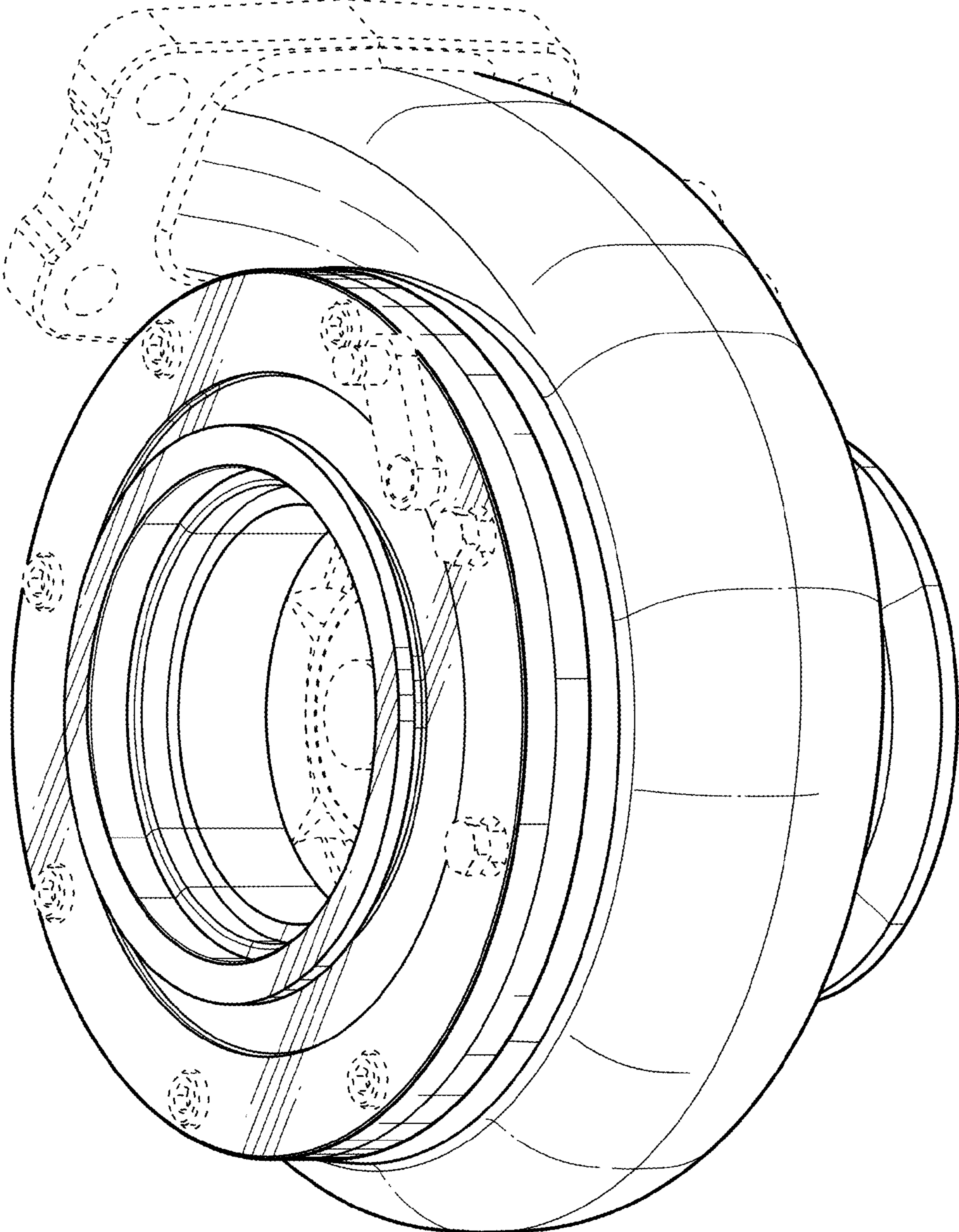
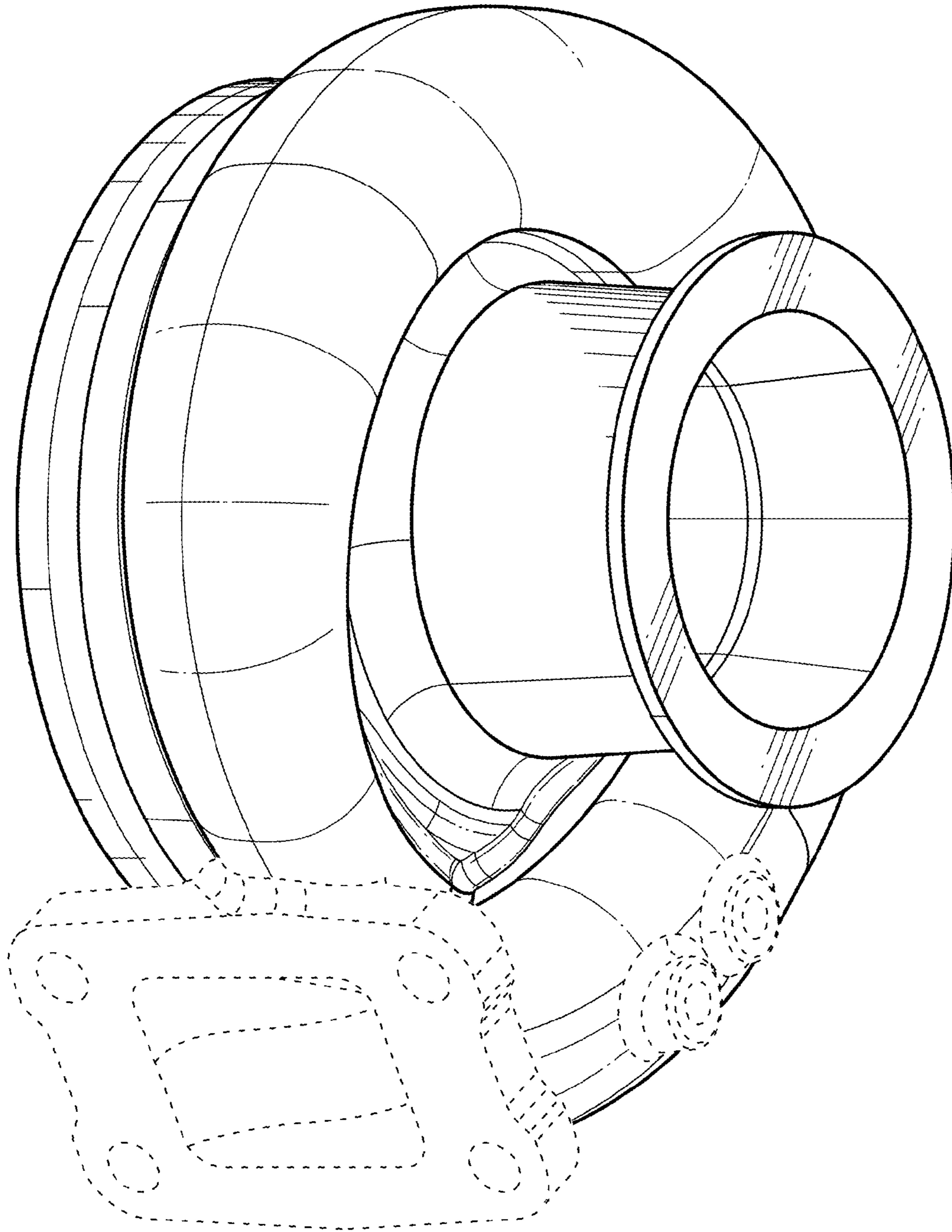


FIG. 2



**FIG. 3**

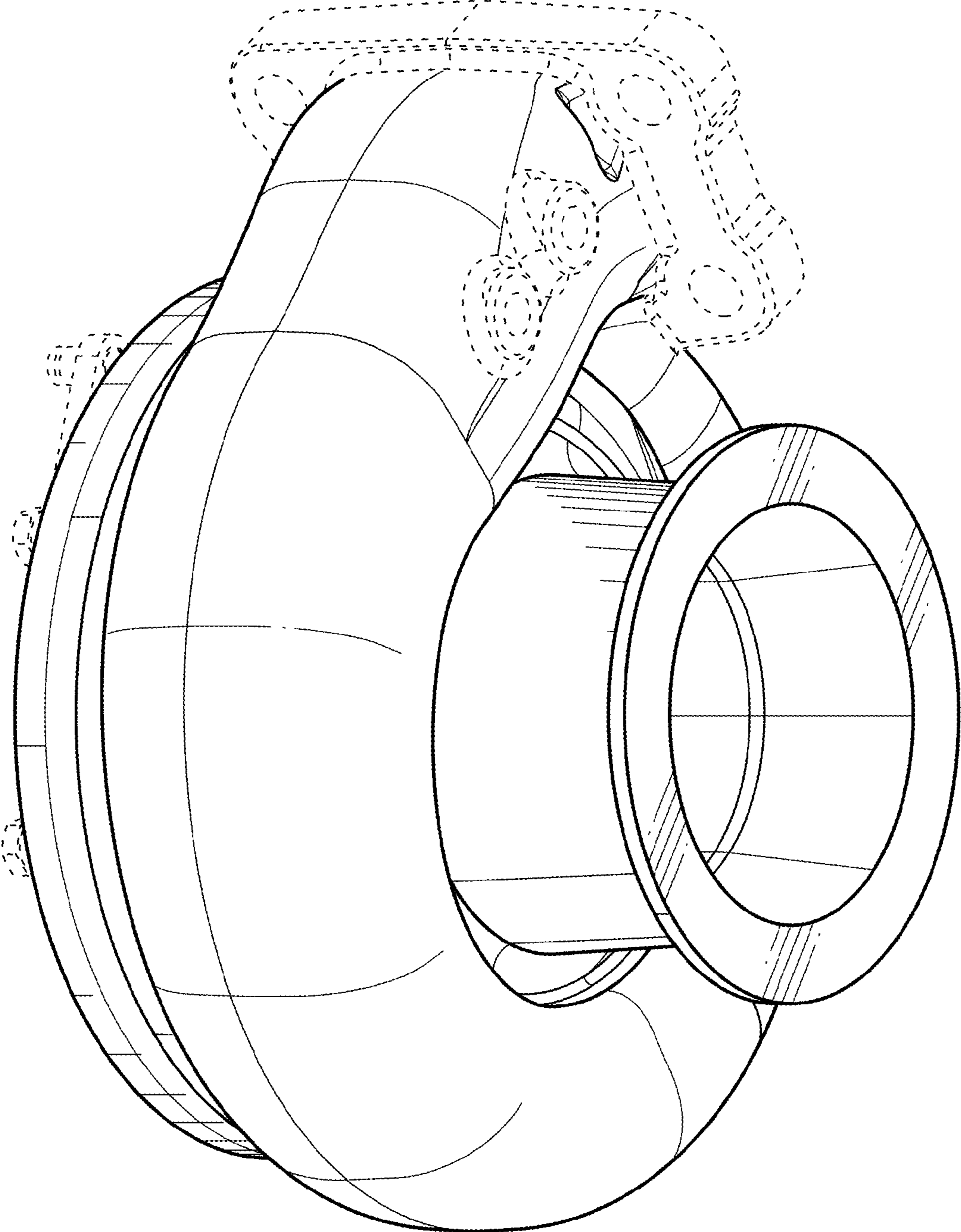


FIG. 4

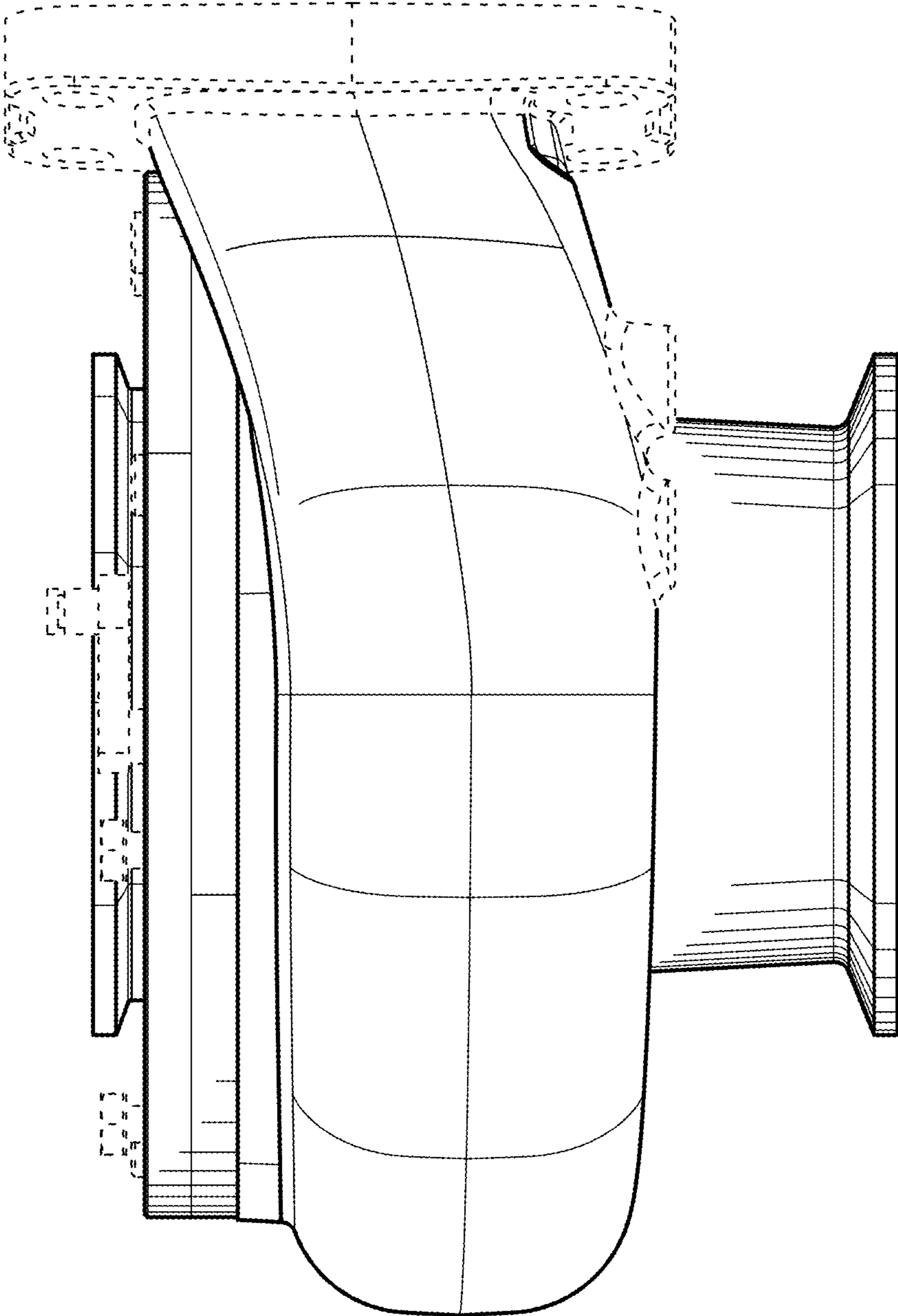
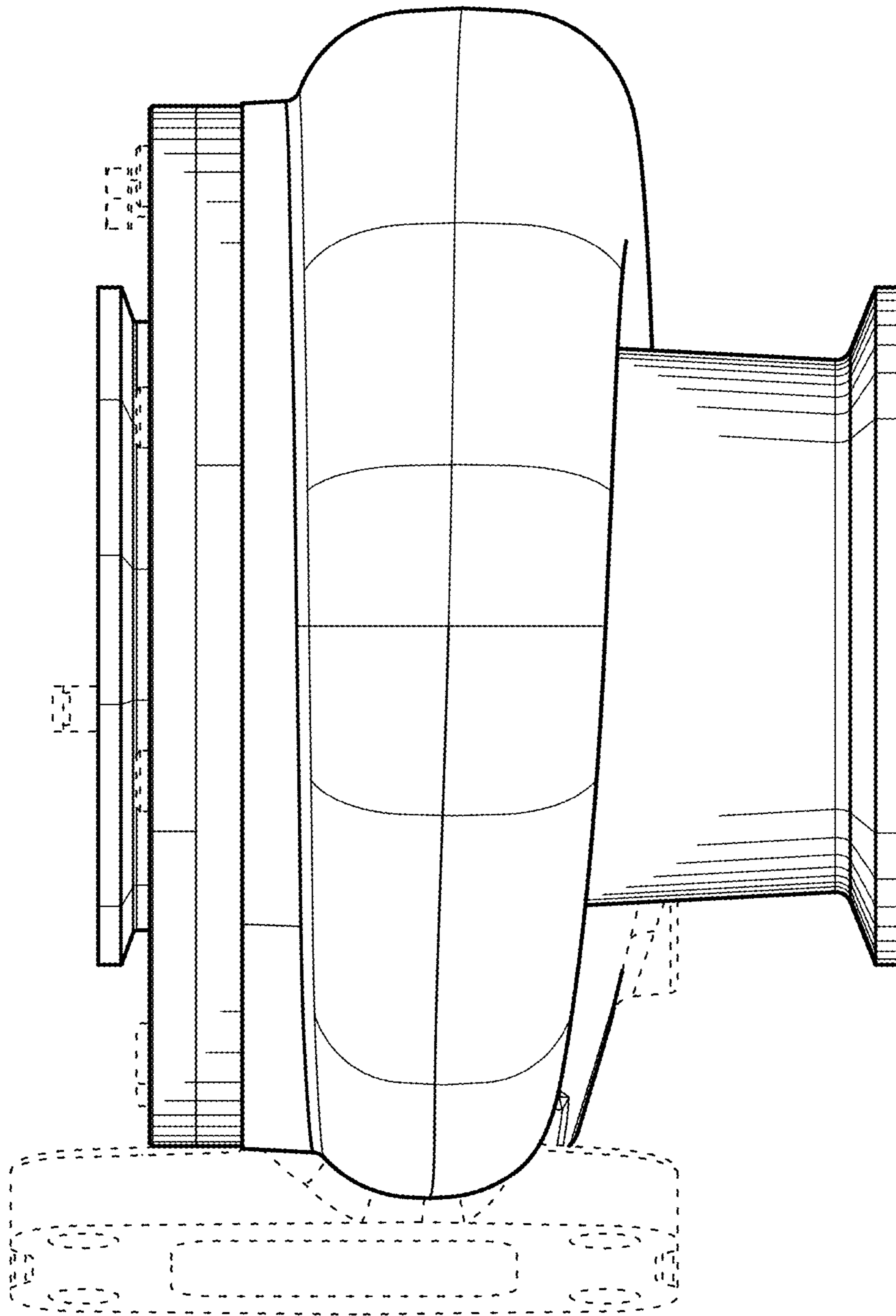


FIG. 5



**FIG. 6**



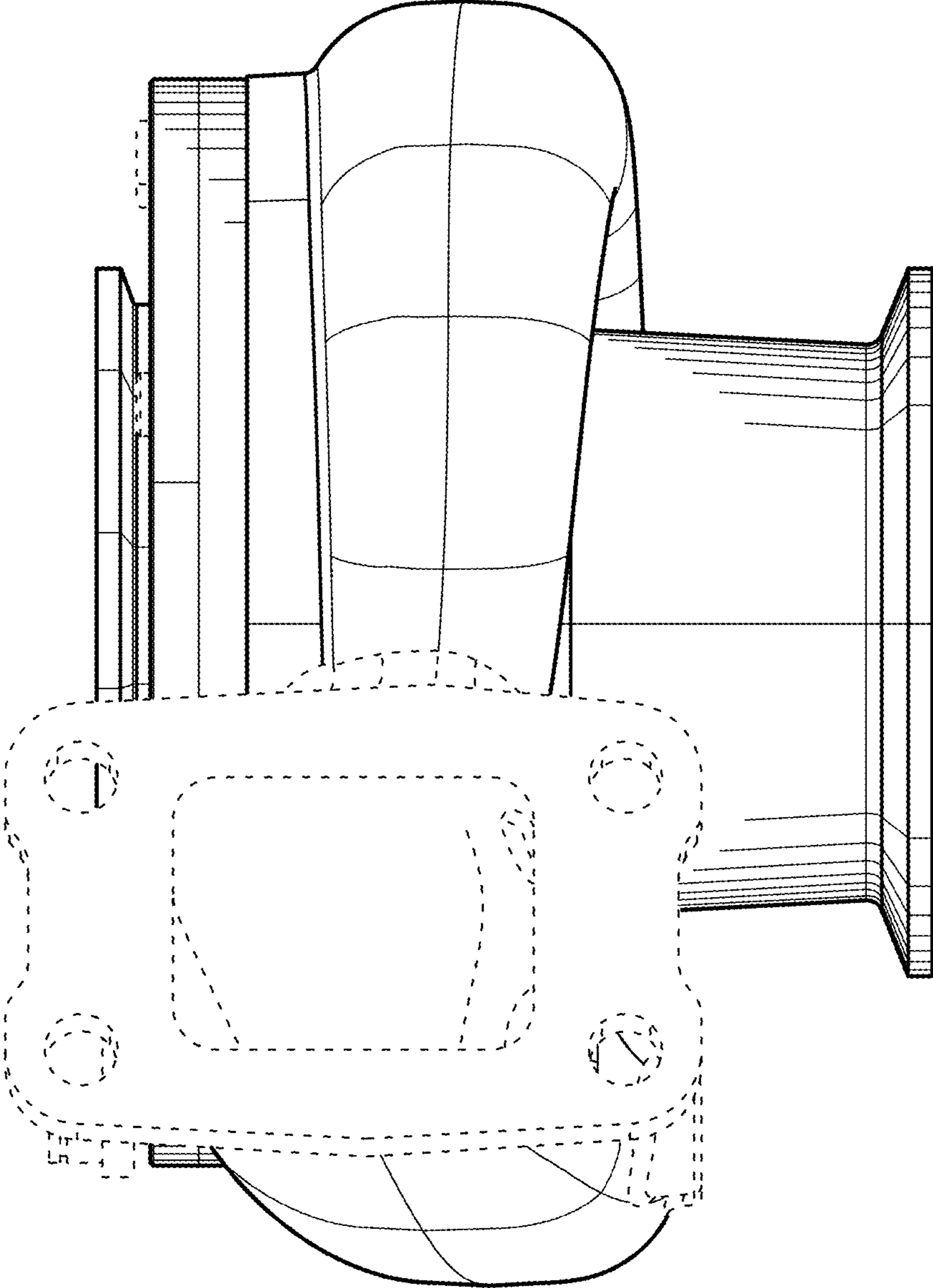


FIG. 7

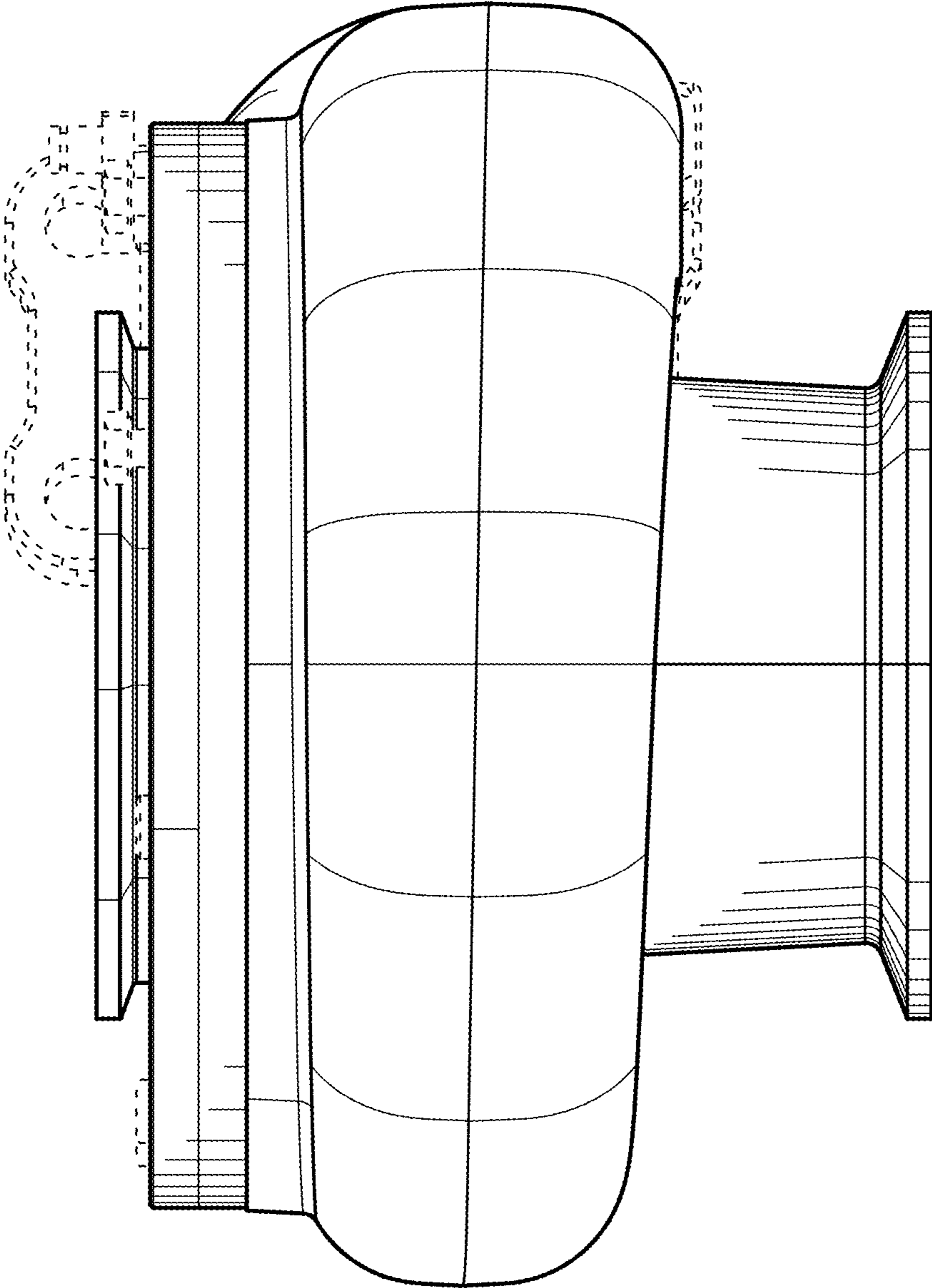


FIG. 8

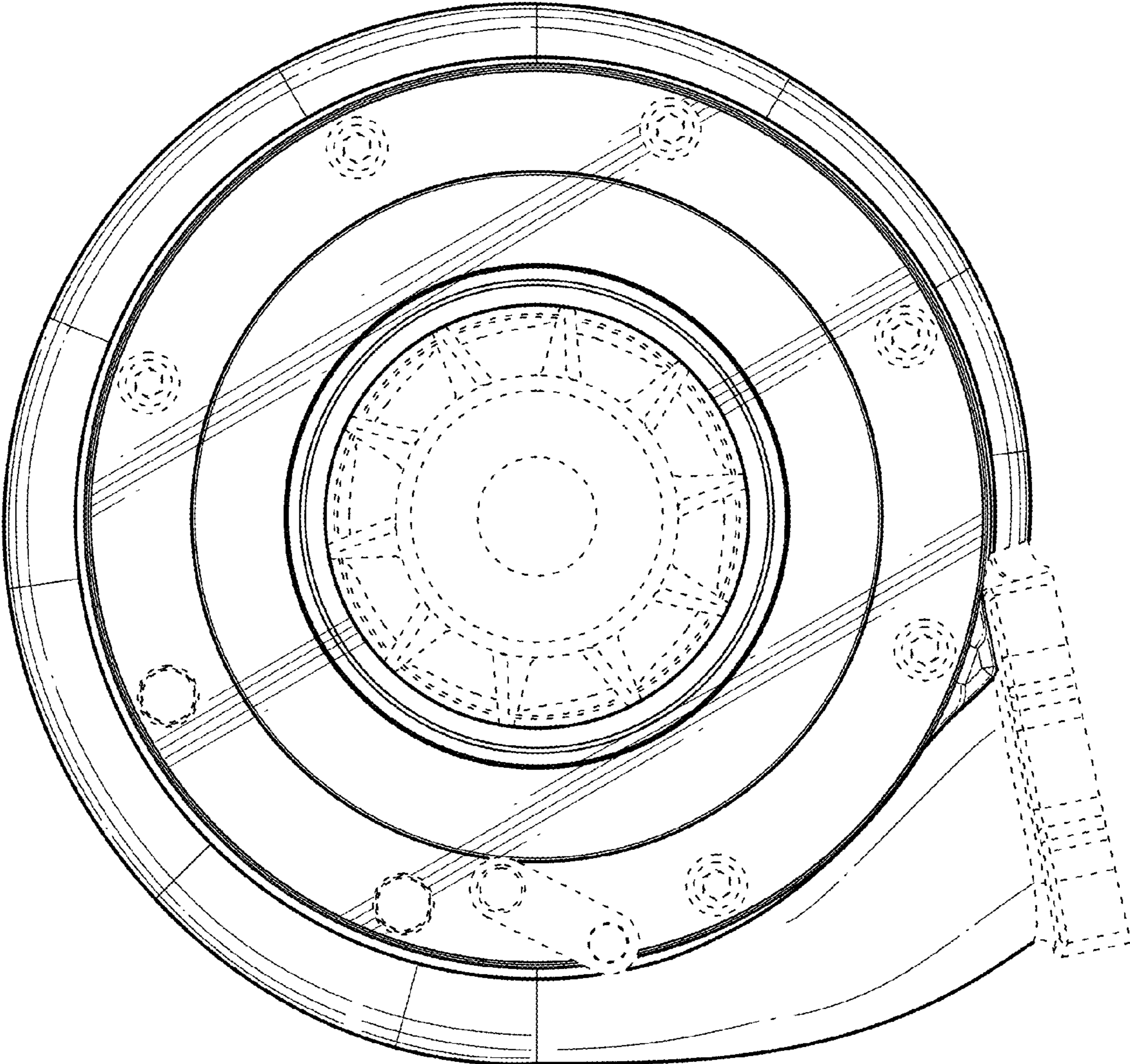


FIG. 9

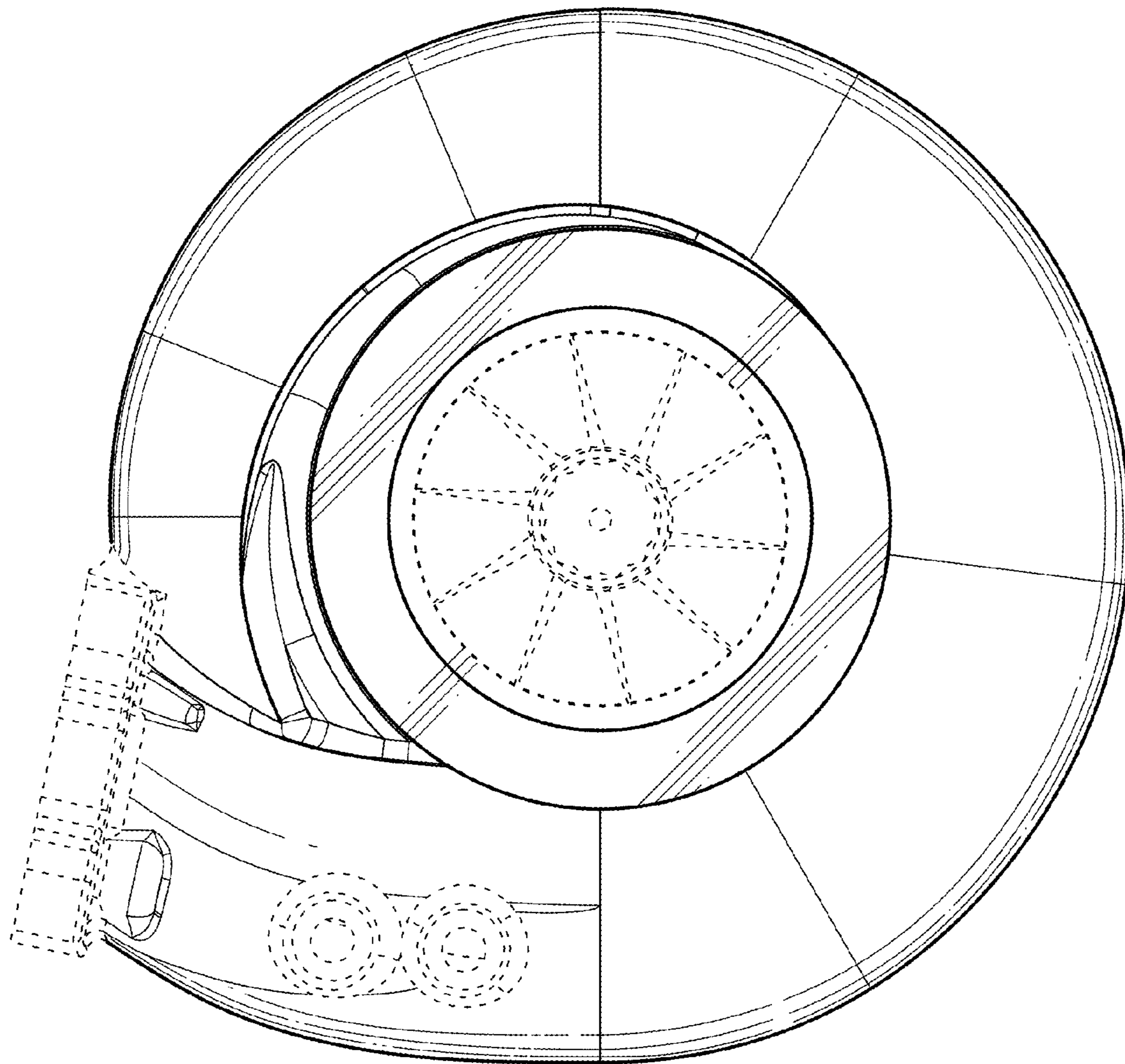
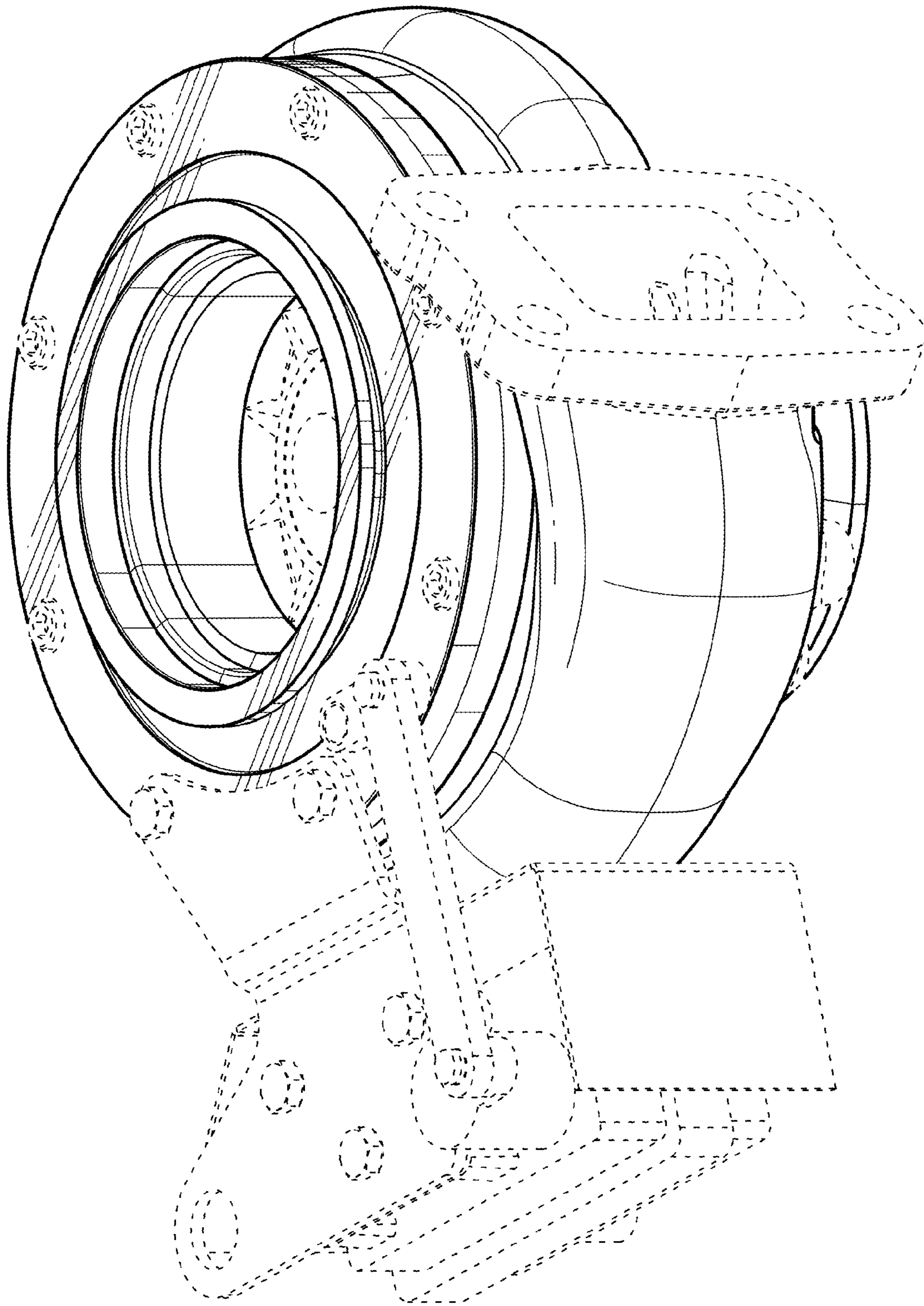
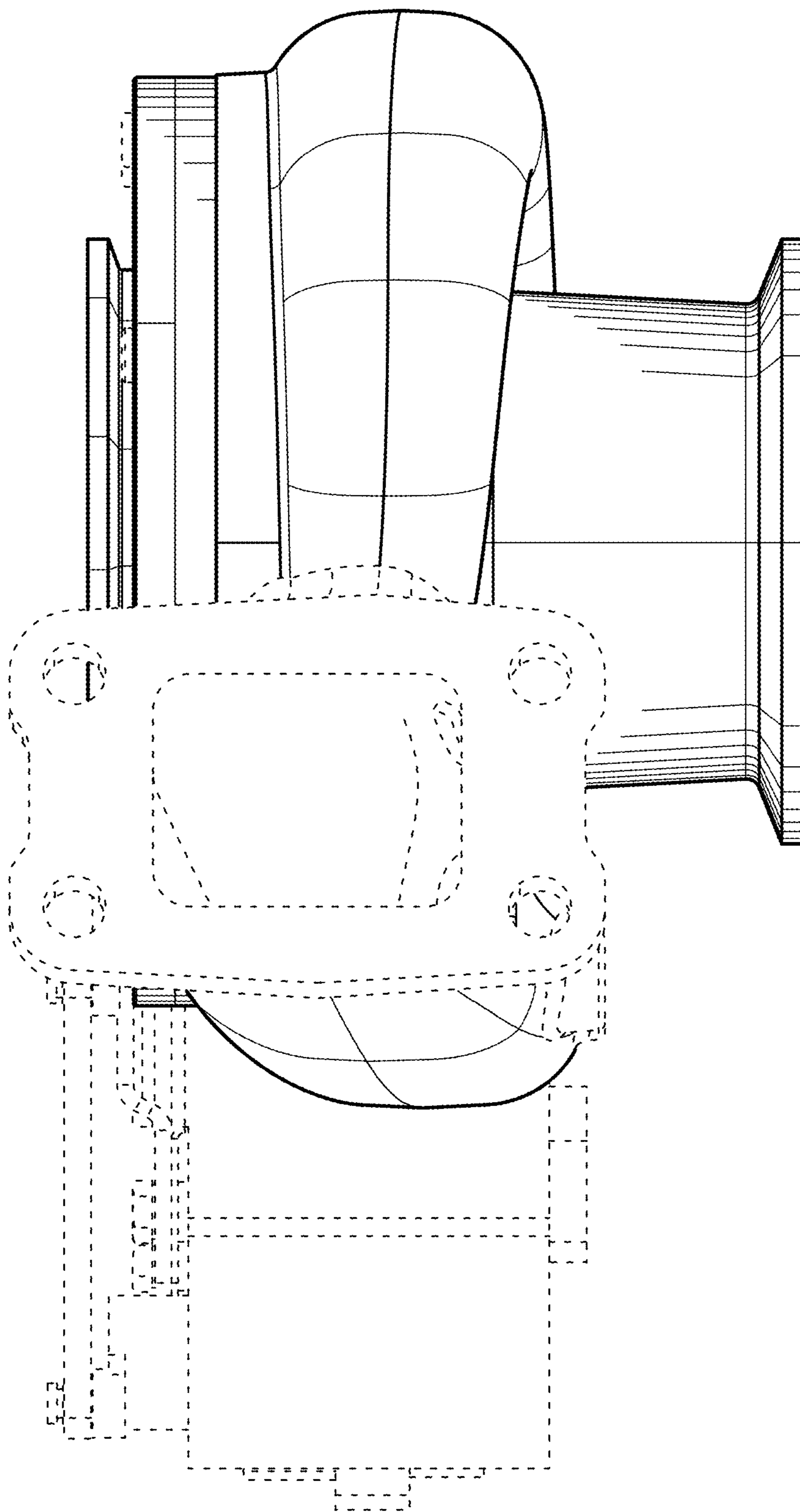


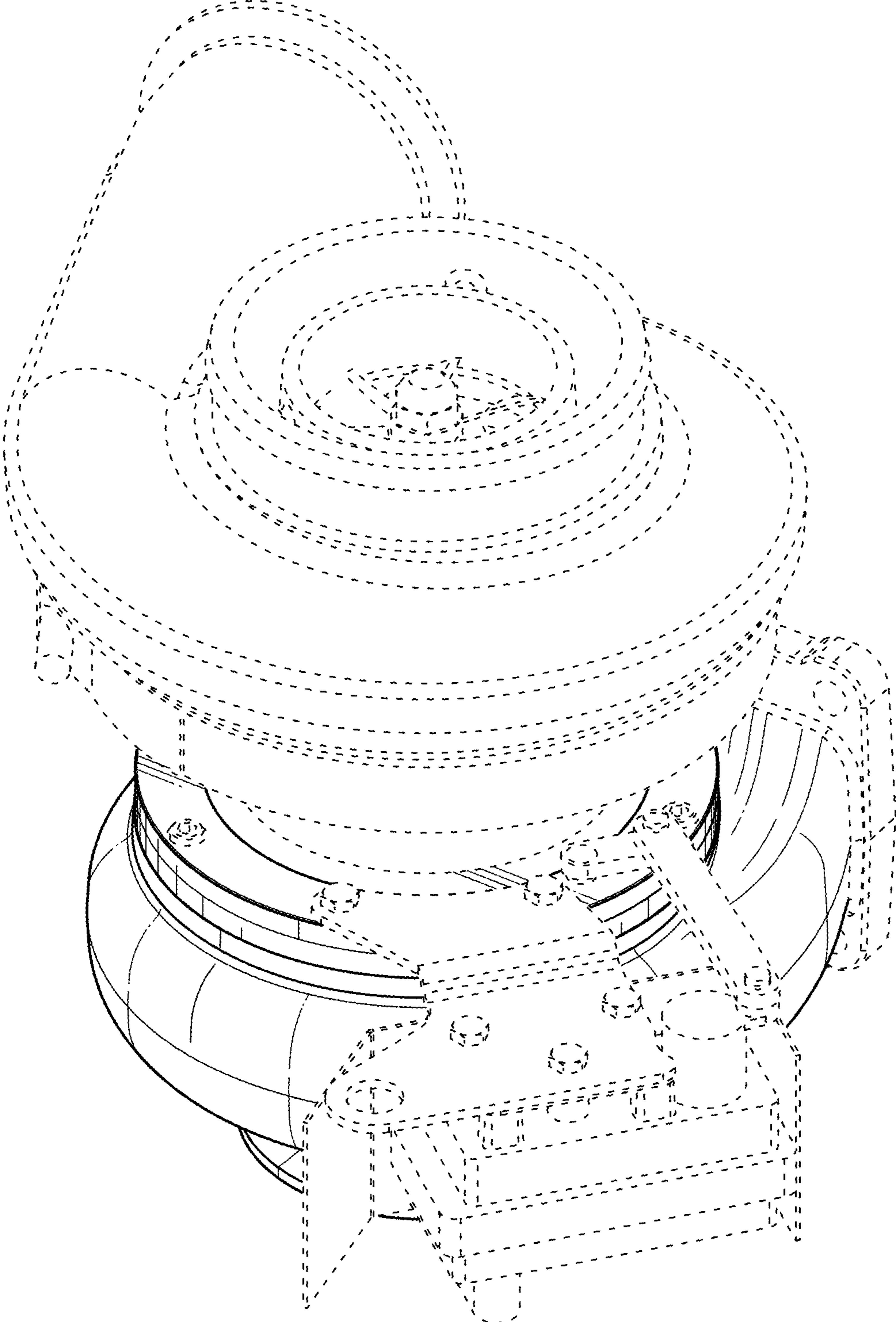
FIG. 10



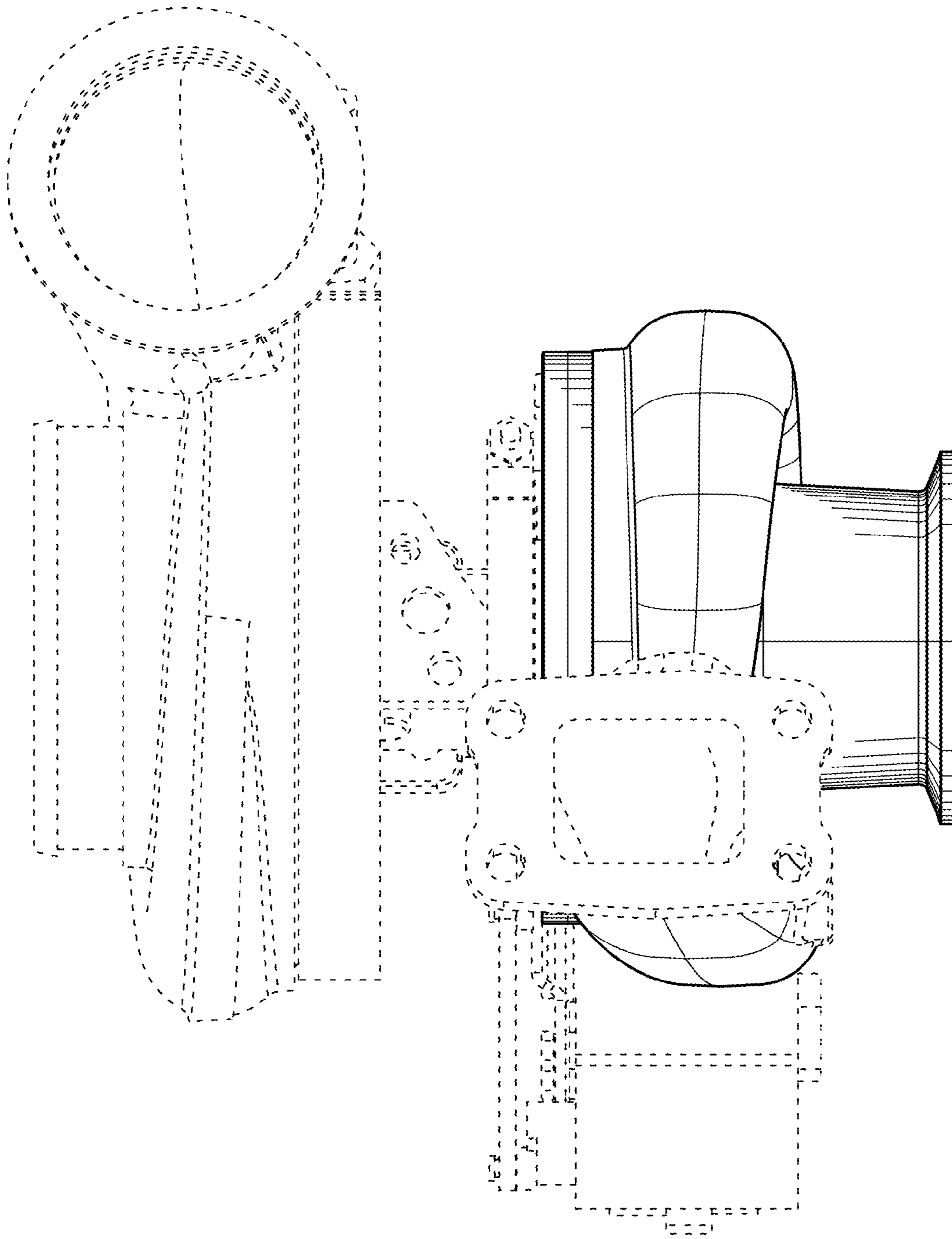
**FIG. 11**



**FIG. 12**



**FIG. 13**



**FIG. 14**