



US00D895683S

(12) **United States Design Patent** (10) **Patent No.:** **US D895,683 S**
Johansson et al. (45) **Date of Patent:** **** Sep. 8, 2020**

(54) **POD BOAT PROPULSION**

(56) **References Cited**

(71) Applicant: **KONGSBERG MARITIME SWEDEN AB**, Kristinehamn (SE)

U.S. PATENT DOCUMENTS

(72) Inventors: **Rikard Johansson**, Hammarö (SE);
Anders Lobell, Karlskoga (SE)

7,588,473 B2 * 9/2009 Beachy Head B63H 5/1252
440/53
10,442,516 B2 * 10/2019 Small B63H 5/16
10,533,484 B2 * 1/2020 Coller B63H 20/28

(73) Assignee: **KONGSBERG MARITIME SWEDEN AB**, Kristinehamn (SE)

FOREIGN PATENT DOCUMENTS

(**) Term: **15 Years**

CN D-201730328095 * 2/2018
CN D-201730437061 * 8/2018
FR D-700000000000 * 12/1979
WO WOD-700000000000 * 8/2015

(21) Appl. No.: **35/506,810**

* cited by examiner

(22) Filed: **Jan. 11, 2019**

Primary Examiner — George D. Kirschbaum

(80) **Hague Agreement Data**

(74) *Attorney, Agent, or Firm* — Johnson, Marcou, Isaacs & Nix, LLC

Int. Filing Date: **Jan. 11, 2019**

Int. Reg. No.: **DM/201156**

Int. Reg. Date: **Jan. 11, 2019**

Int. Reg. Pub. Date: **Jun. 7, 2019**

(57) **CLAIM**

The ornamental design for a POD boat propulsion, as shown and described.

(30) **Foreign Application Priority Data**

DESCRIPTION

Jul. 12, 2018 (EM) 005502168

Jul. 18, 2018 (EM) 005506813

(51) **LOC (12) Cl.** **15-01**

(52) **U.S. Cl.**

USPC **D15/4**

(58) **Field of Classification Search**

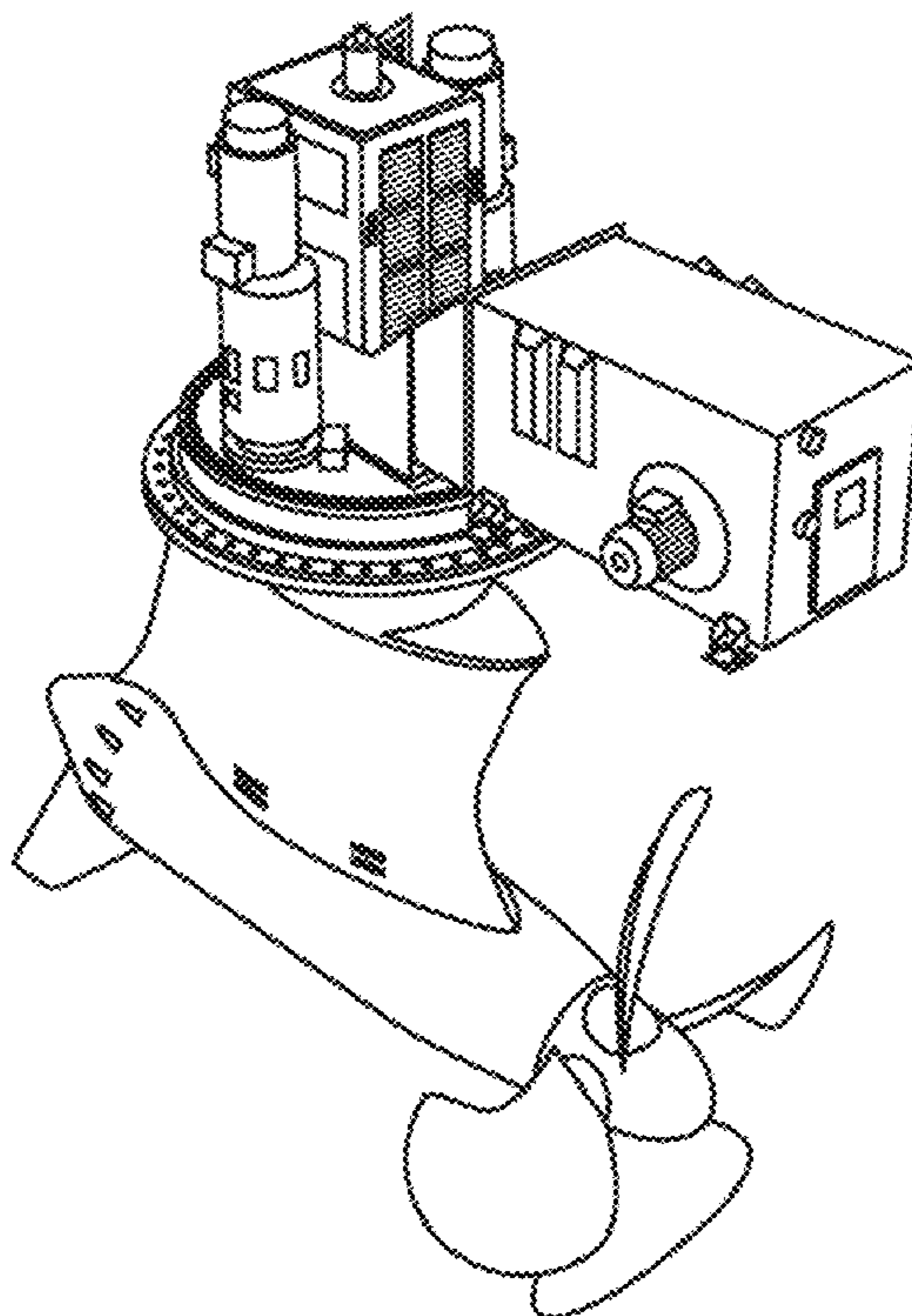
USPC D15/4

CPC B63H 20/28; B63H 5/16; B63H 5/1252

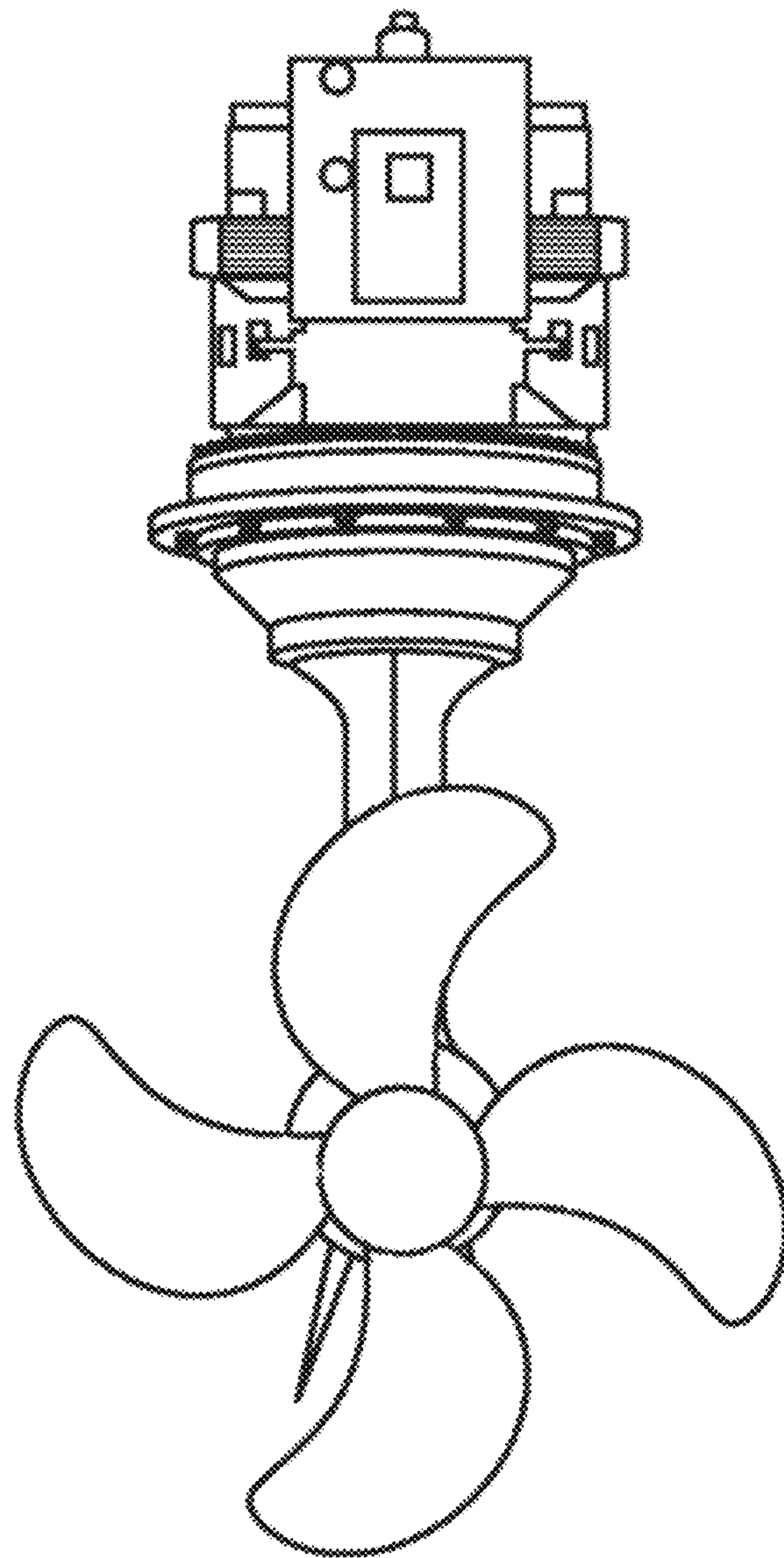
See application file for complete search history.

1. POD boat propulsion
- 1.1 is a front view of POD boat propulsion;
- 1.2 is a back view thereof;
- 1.3 is a left side view thereof;
- 1.4 is a right side view thereof;
- 1.5 is a top view thereof;
- 1.6 is a bottom view thereof; and
- 1.7 is a top view shown from right front perspective thereof.

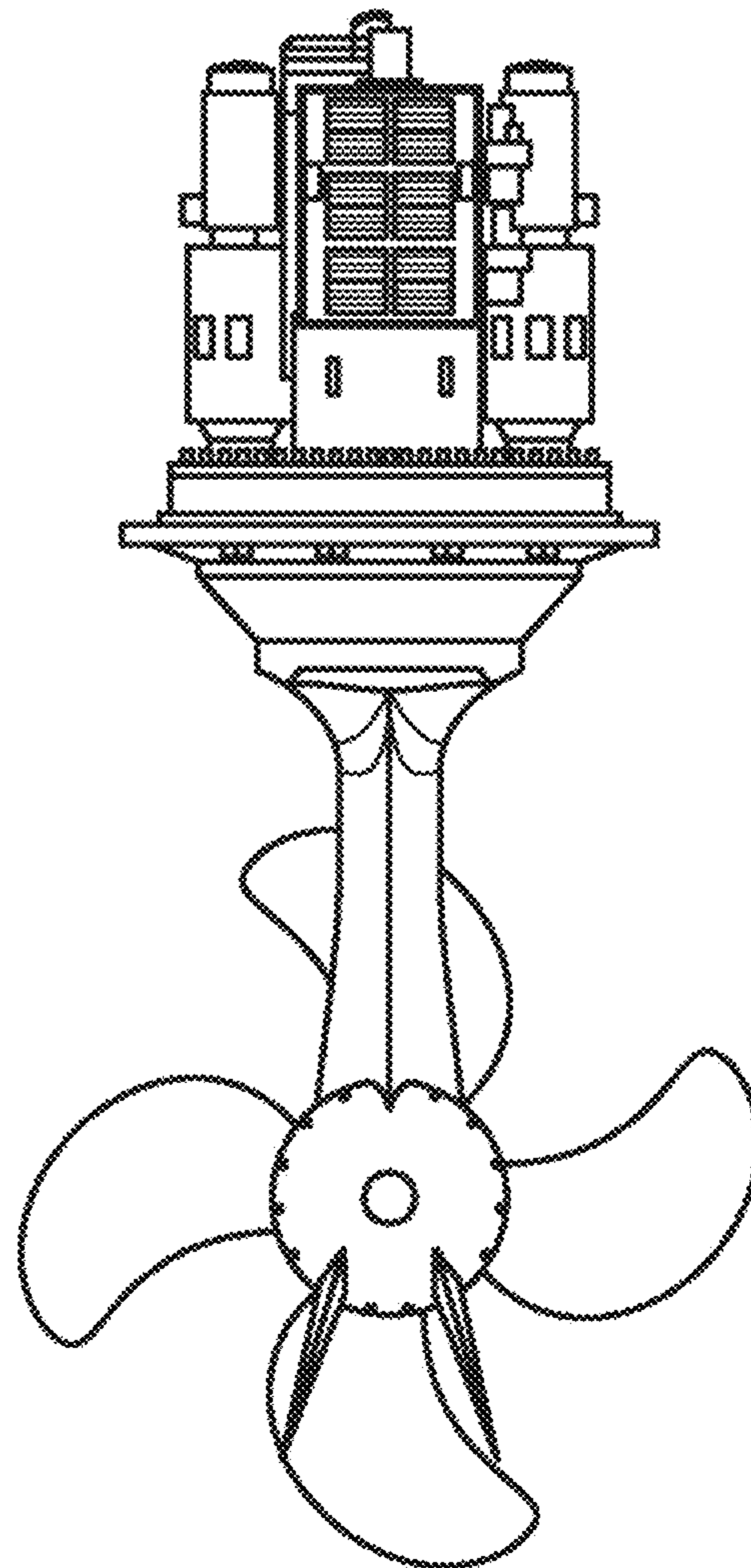
1 Claim, 7 Drawing Sheets



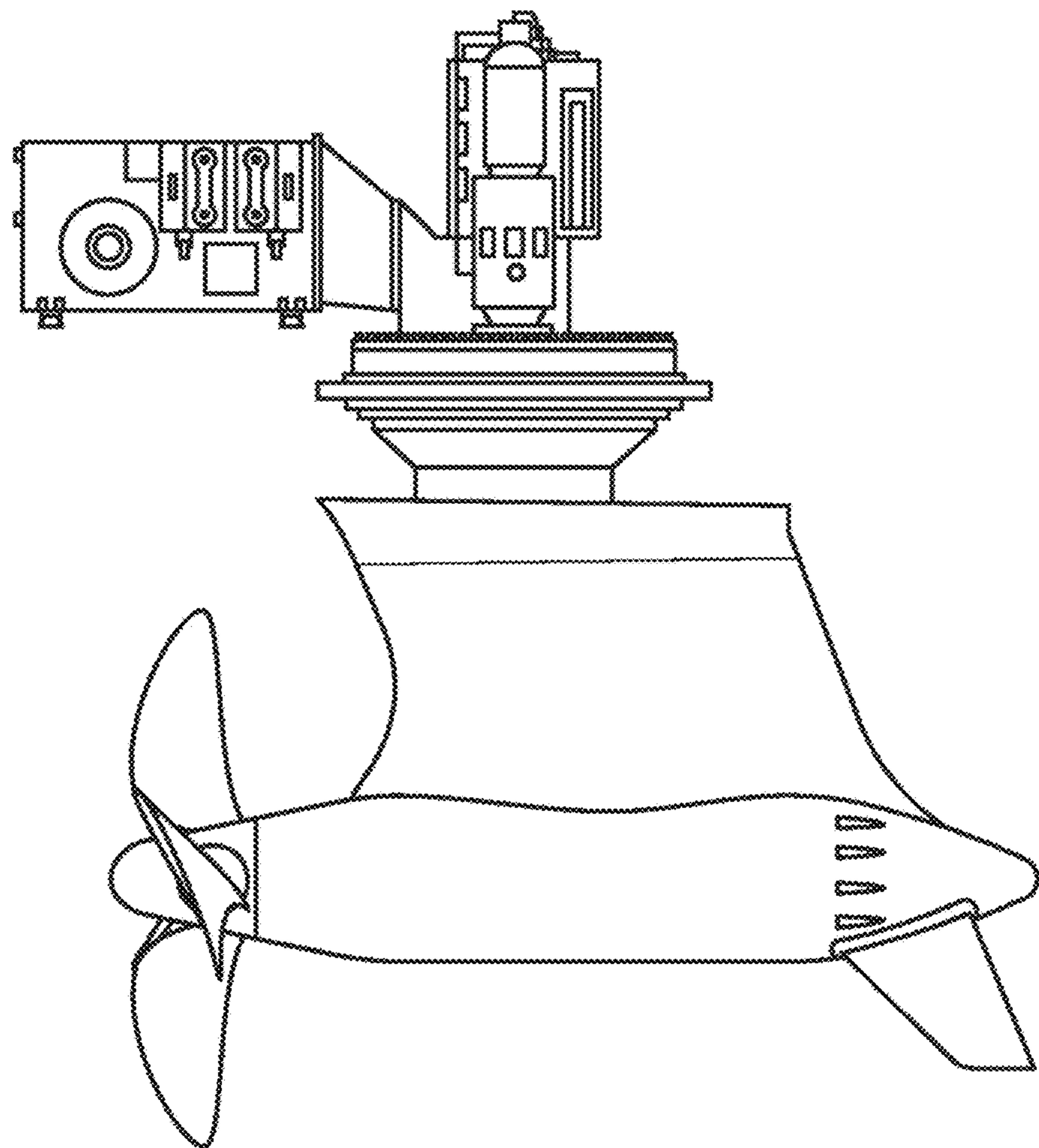
1.1



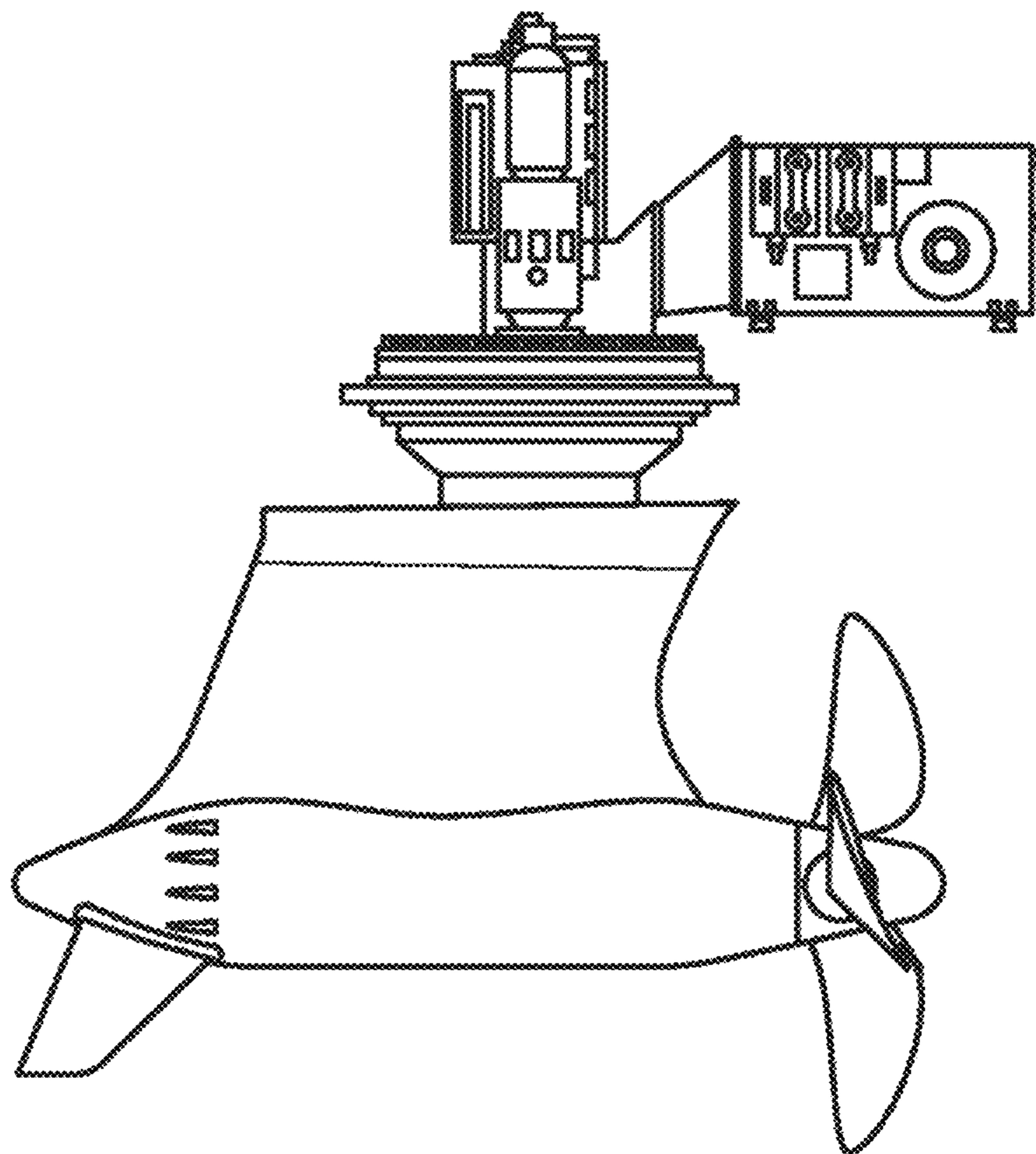
1.2



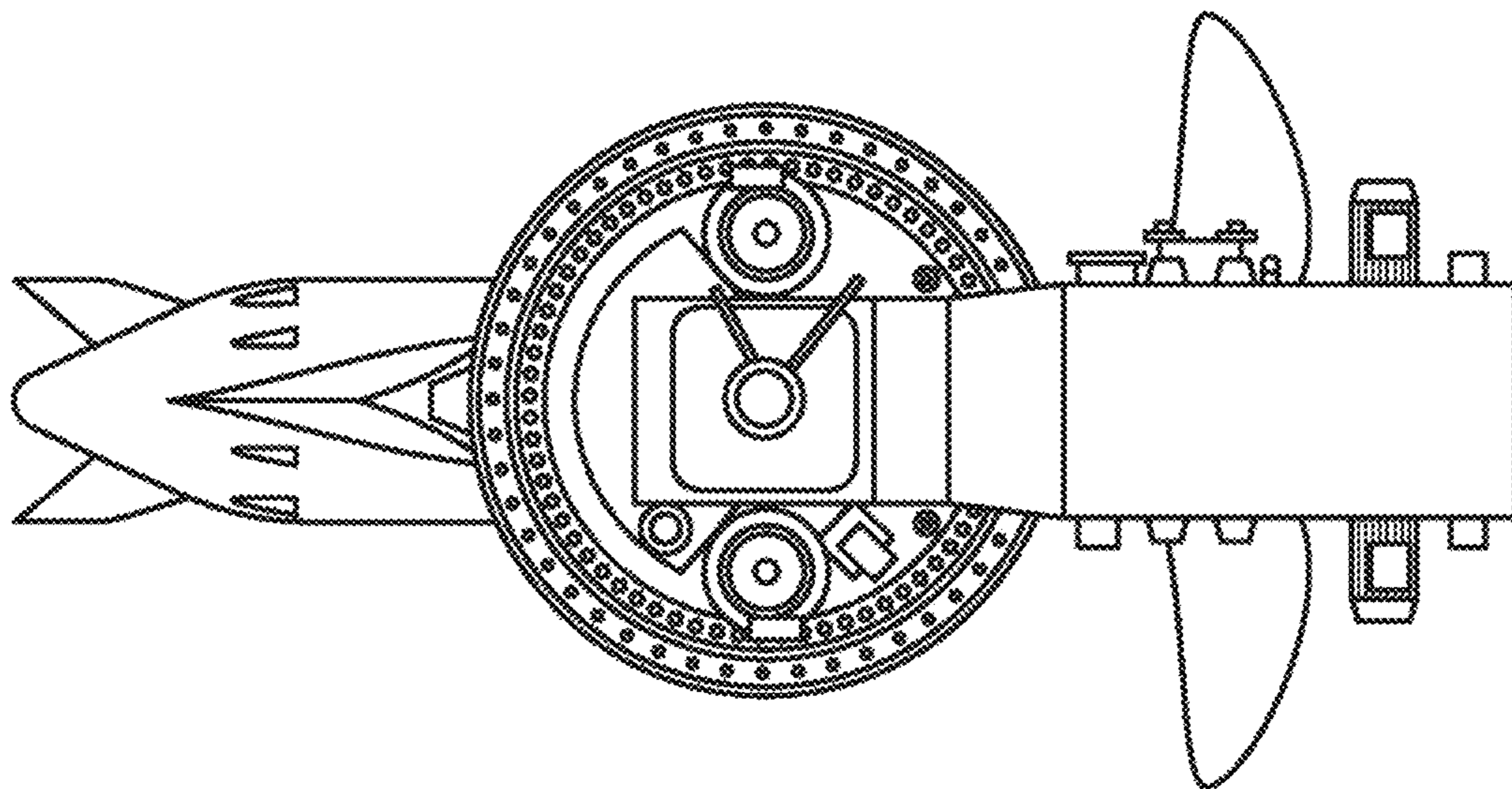
1.3



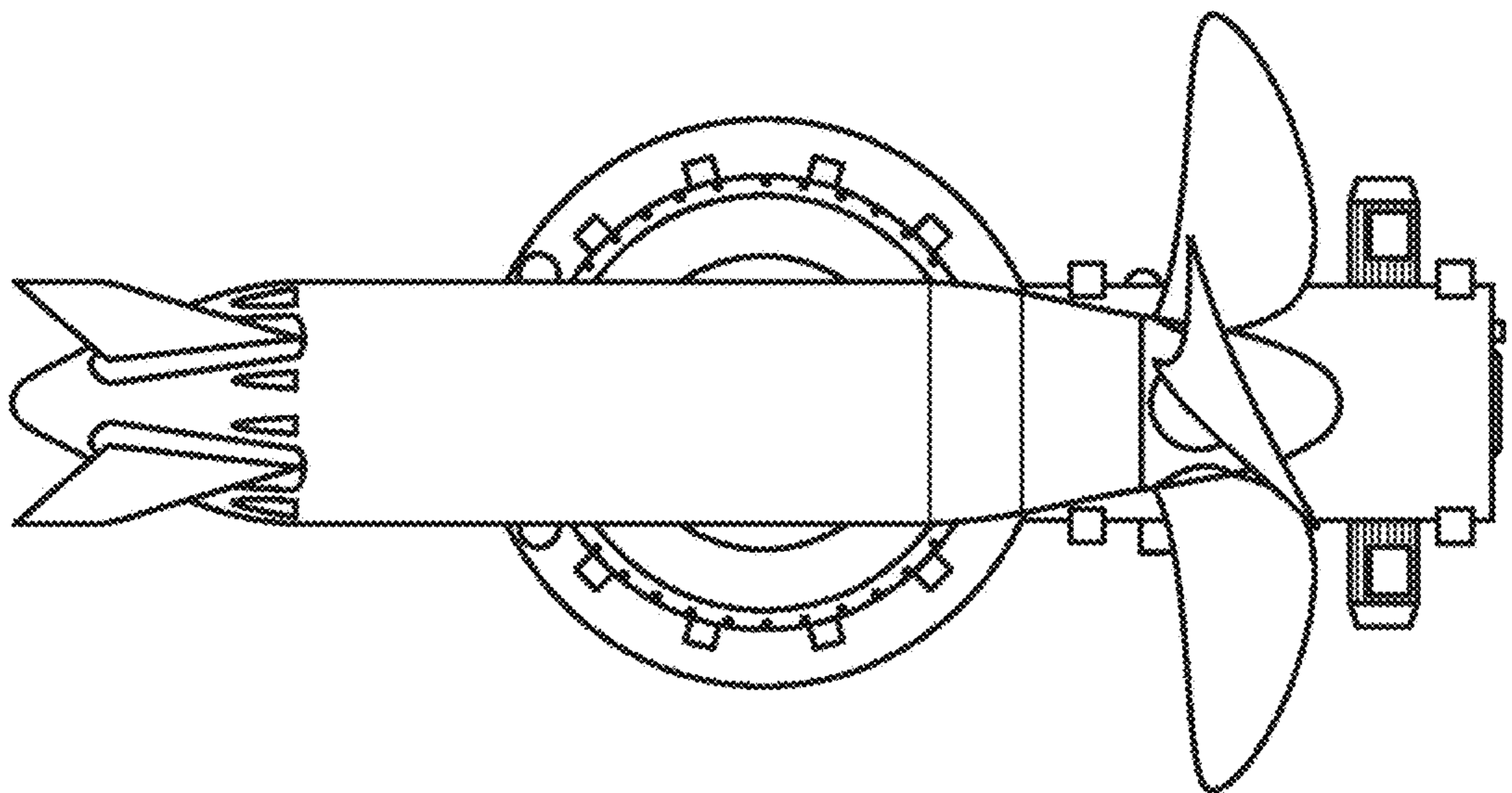
1.4



1.5



1.6



1.7

