



US00D895649S

(12) **United States Design Patent**  
**Jetly et al.**

(10) **Patent No.:** **US D895,649 S**

(45) **Date of Patent:** **\*\* Sep. 8, 2020**

(54) **DISPLAY SCREEN OR PORTION THEREOF WITH GRAPHICAL USER INTERFACE FOR AN ELECTRONIC DEVICE**

D800,762 S *	10/2017	Aoshima .....	D14/487
D872,750 S *	1/2020	Sakuma .....	D14/485
D881,236 S *	4/2020	Dagley .....	D14/492
D884,740 S *	5/2020	Youngblood .....	D14/492
2019/0080066 A1 *	3/2019	Van Os .....	G06K 9/00255

(71) Applicant: **Verizon Patent and Licensing Inc.**,  
Arlington, VA (US)

**OTHER PUBLICATIONS**

(72) Inventors: **Saurabh Jetly**, Edison, NJ (US);  
**Michael B. Burchill**, Califon, NJ (US);  
**Horst Frankenberger**, Rocky Hill, NJ (US);  
**Brian C. McGee**, Bethlehem, PA (US)

Wikipedia, "Binary Runtime Environment for Wireless," [https://en.wikipedia.org/wiki/Binary\\_Runtime\\_Environment\\_for\\_Wireless](https://en.wikipedia.org/wiki/Binary_Runtime_Environment_for_Wireless), Nov. 18, 2016, 6 pages.

Android, "Android Open Source Project," <https://source.android.com/>, Sep. 14, 2010, 2 pages.

(73) Assignee: **Verizon Patent and Licensing Inc.**,  
Basking Ridge, NJ (US)

\* cited by examiner

*Primary Examiner* — Cathron C Brooks  
*Assistant Examiner* — Andrew T Nemeth

(\*\*) Term: **15 Years**

(57) **CLAIM**

(21) Appl. No.: **29/592,048**

The ornamental design for a display screen or portion thereof with graphical user interface for an electronic device, as shown and described.

(22) Filed: **Jan. 26, 2017**

**DESCRIPTION**

(51) **LOC (12) Cl.** ..... **14-04**

(52) **U.S. Cl.**  
USPC ..... **D14/486; D14/487**

(58) **Field of Classification Search**  
USPC ..... D14/485–495  
CPC ..... G06F 3/048–04897  
See application file for complete search history.

(56) **References Cited**

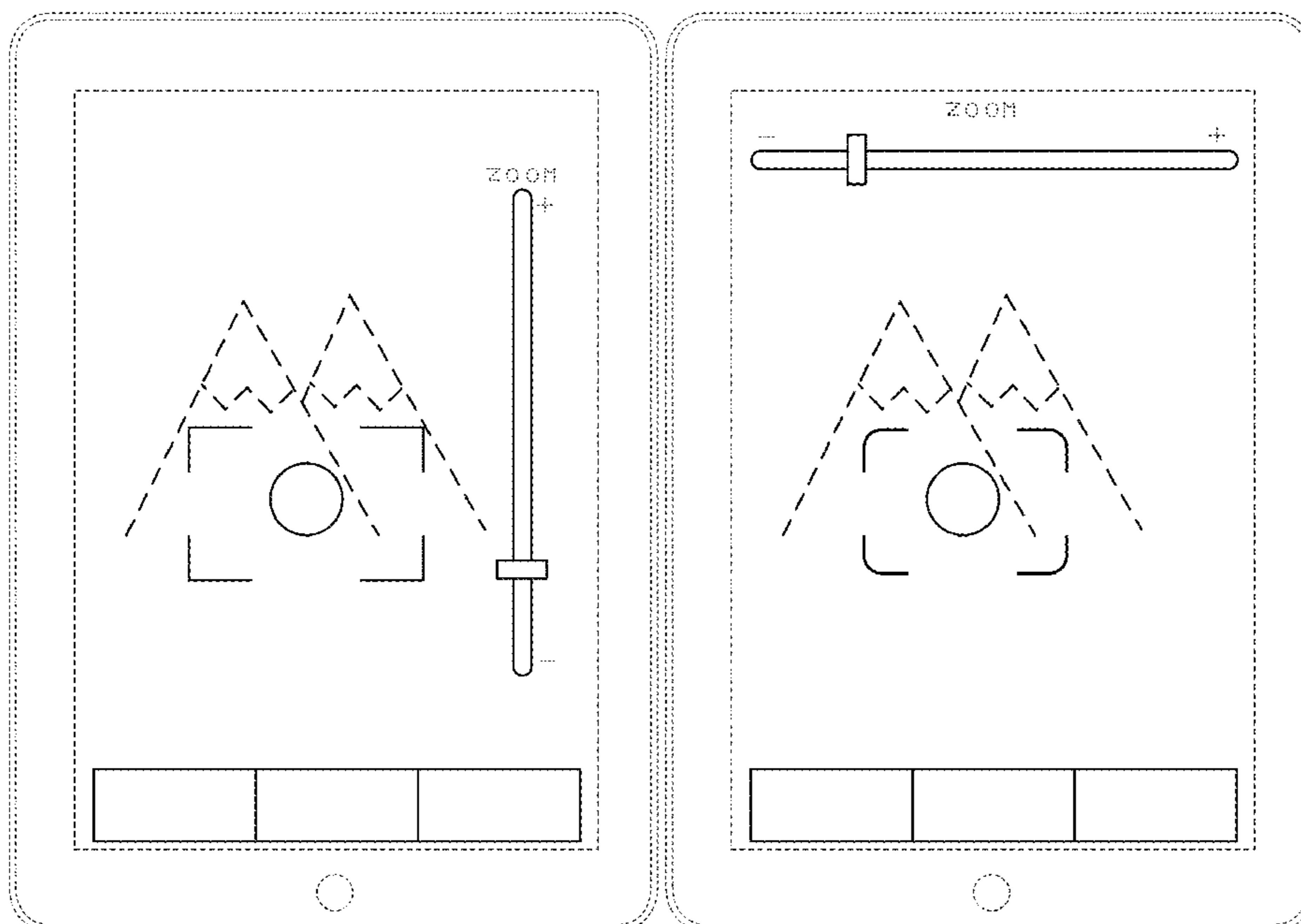
**U.S. PATENT DOCUMENTS**

D588,151 S *	3/2009	Okada .....	D14/488
D663,743 S *	7/2012	Tanghe .....	D14/489
D759,665 S *	6/2016	Judd .....	D14/485
D773,518 S *	12/2016	Sandhu .....	D14/487
D794,663 S *	8/2017	Sakuma .....	D14/486
D798,309 S *	9/2017	Rickes .....	D14/485
D800,740 S *	10/2017	Clymer .....	D14/485

FIG. 1 is a front view of a display screen or portion thereof with graphical user interface for an electronic device; FIG. 2 is a second embodiment thereof; FIG. 3 is a third embodiment thereof; FIG. 4 is a fourth embodiment thereof; FIG. 5 is a fifth embodiment thereof; FIG. 6 is a sixth embodiment thereof; FIG. 7 is a seventh embodiment thereof; and, FIG. 8 is an eighth embodiment thereof.

The broken lines that are shown in the drawings illustrate environmental structure, portions of the display screen, and portions of the graphical user interface that form no part of the claimed design.

**1 Claim, 8 Drawing Sheets**



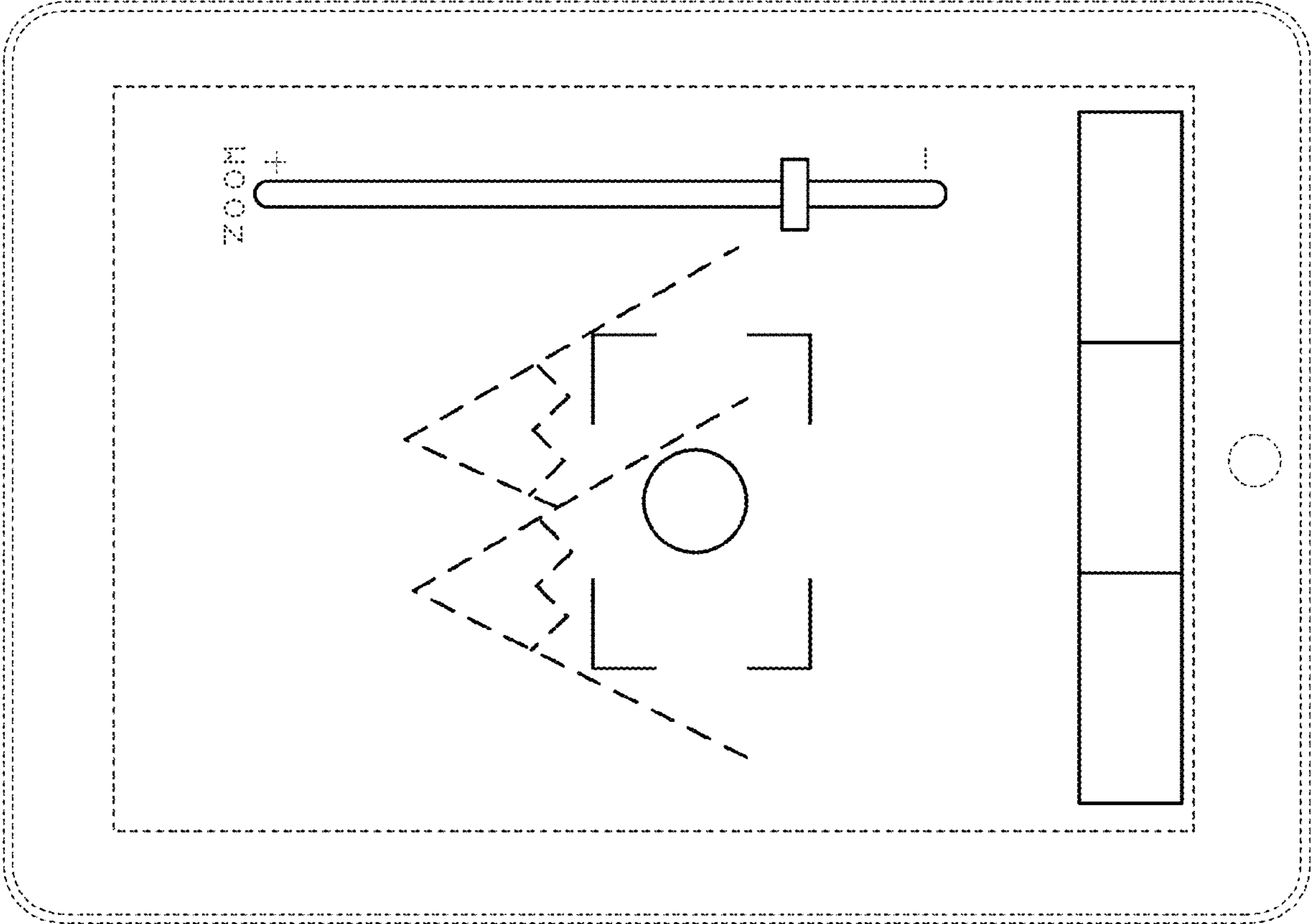


FIG. 1

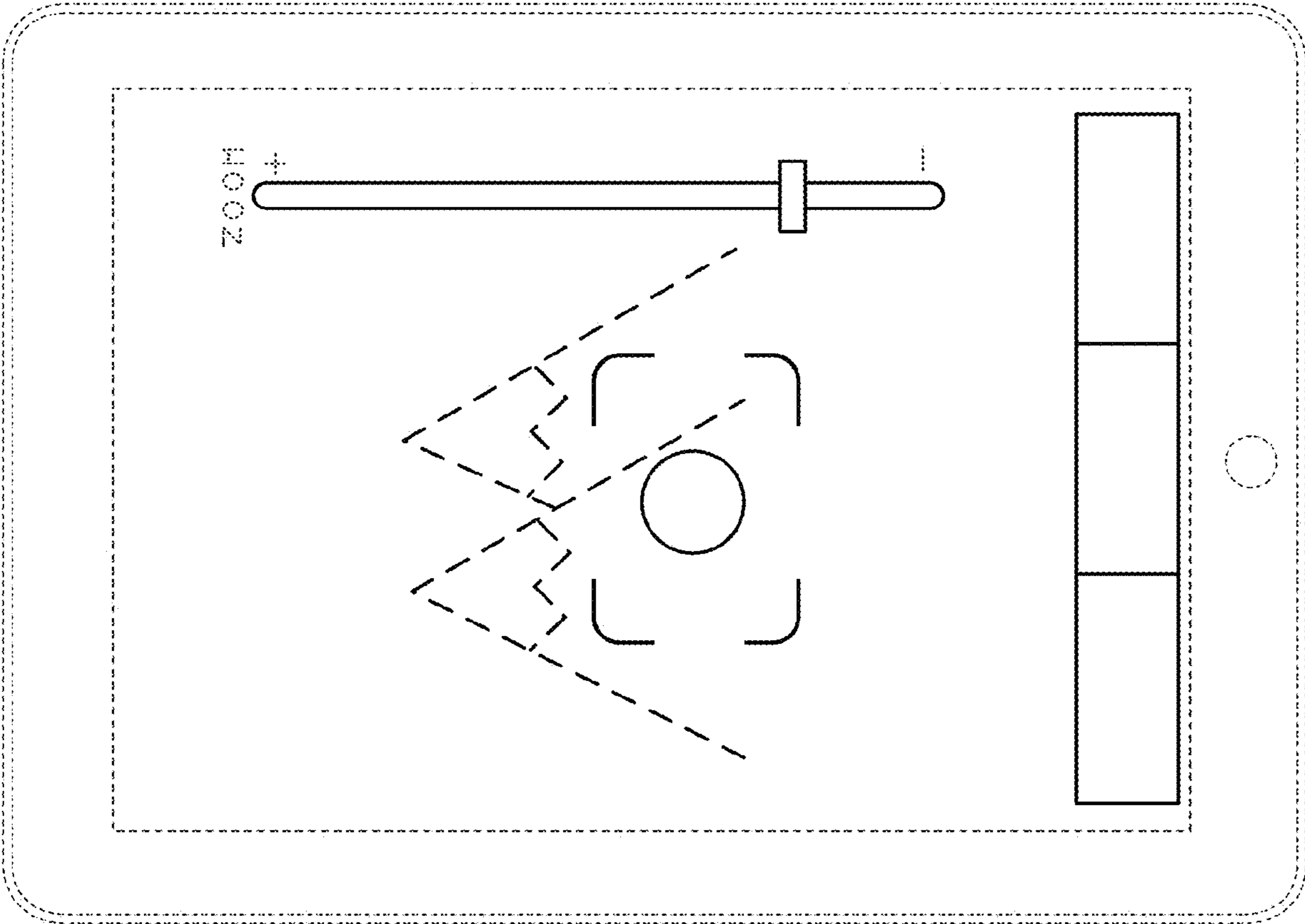


FIG. 2

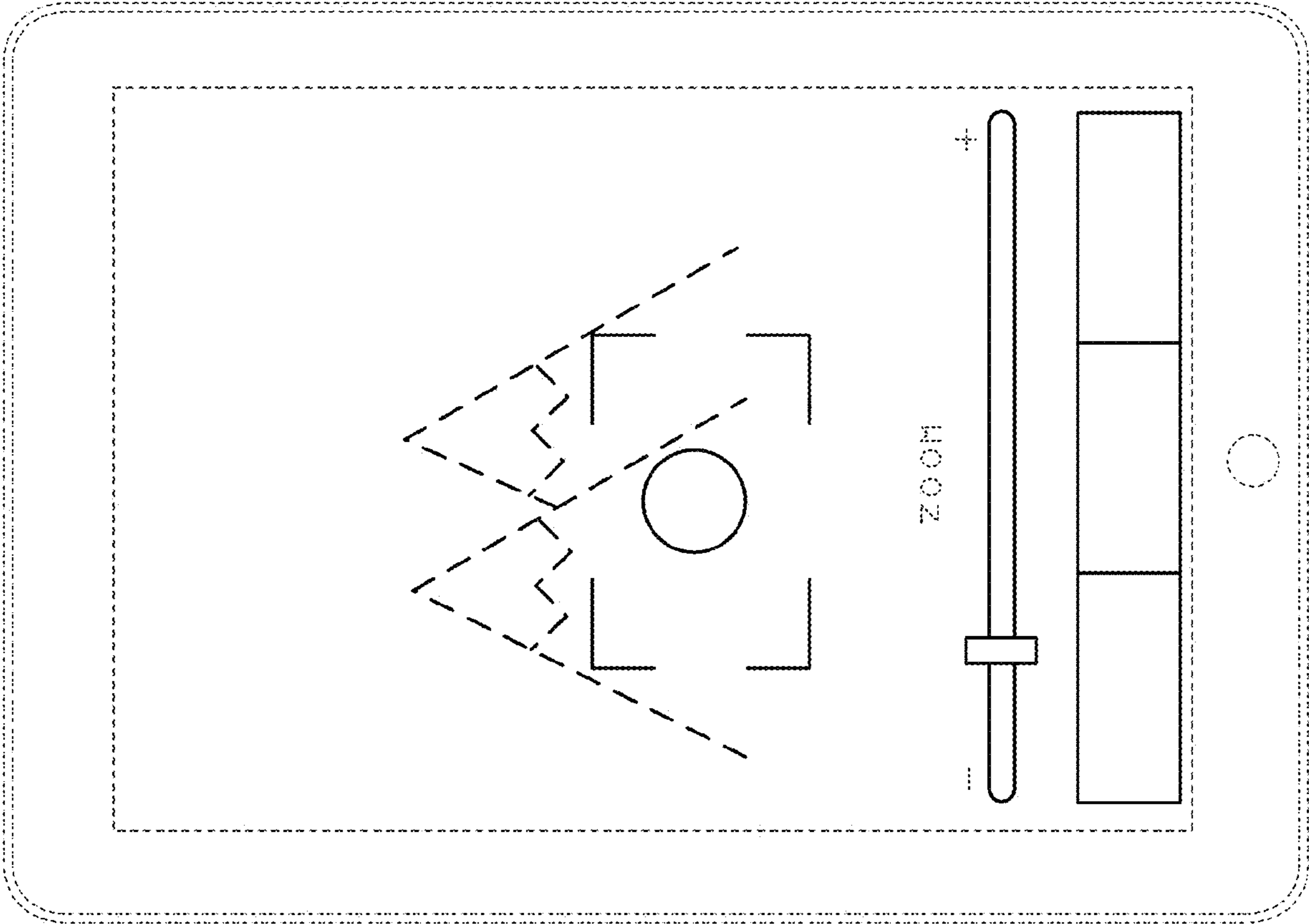


FIG. 3

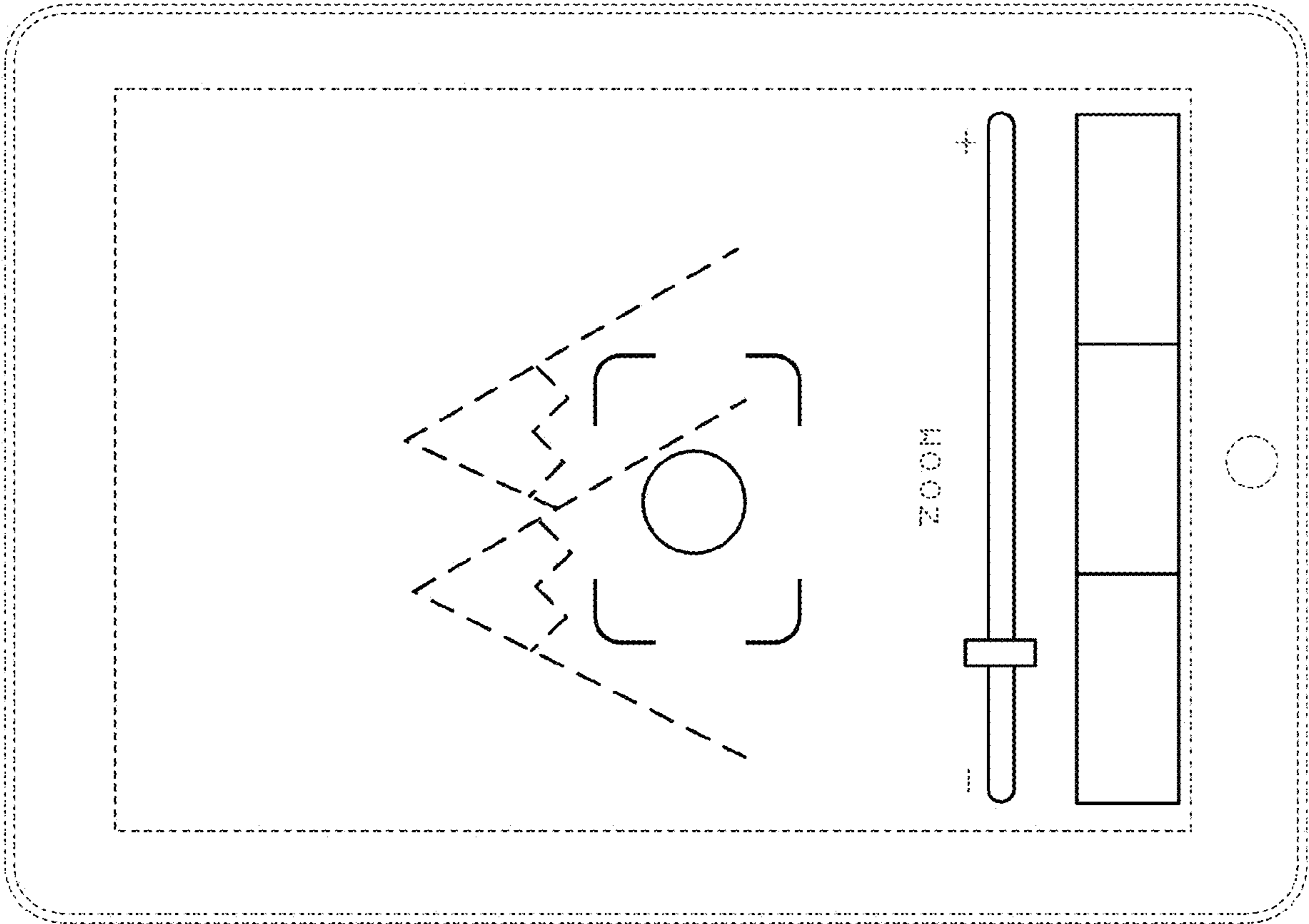


FIG. 4

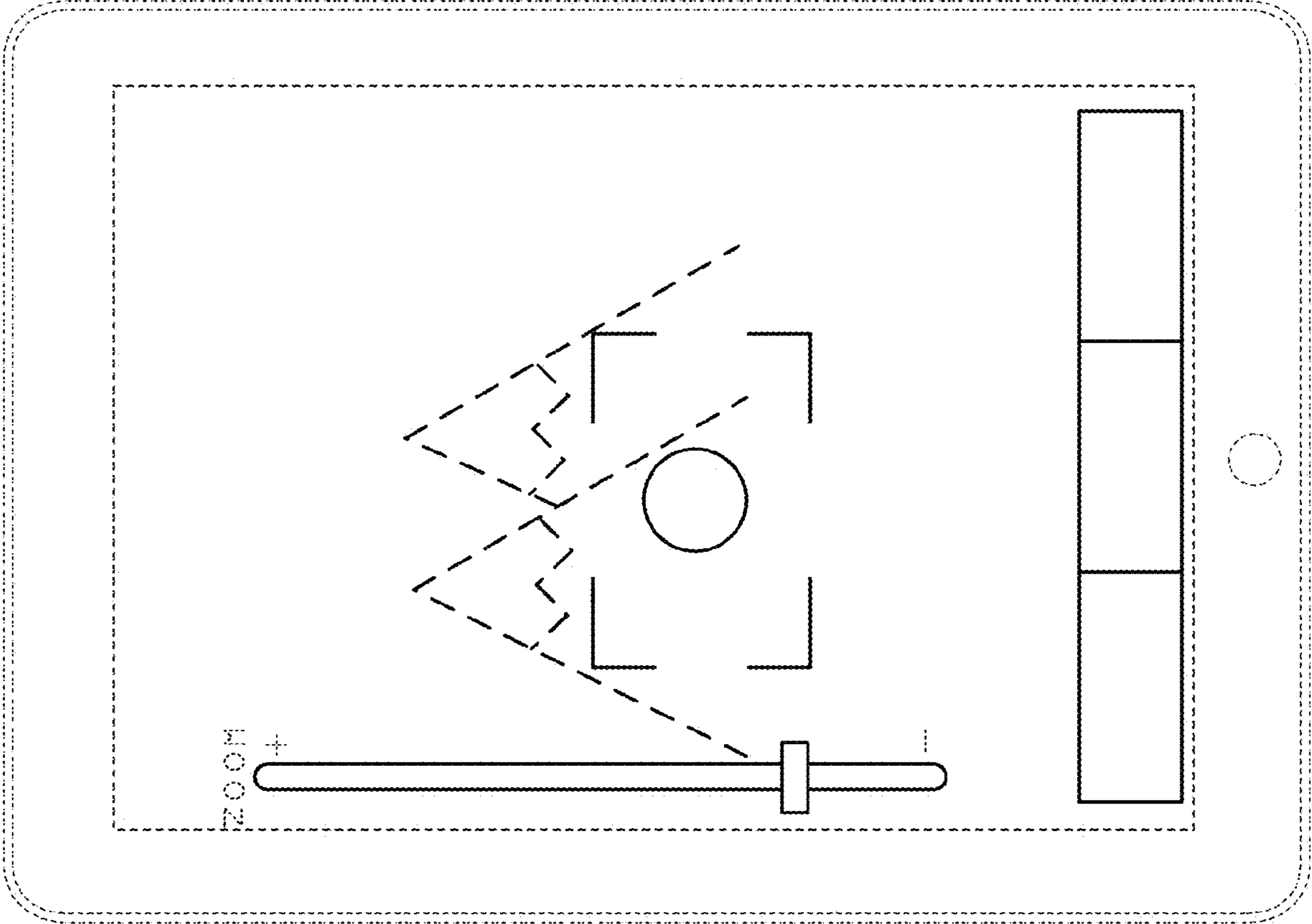


FIG. 5

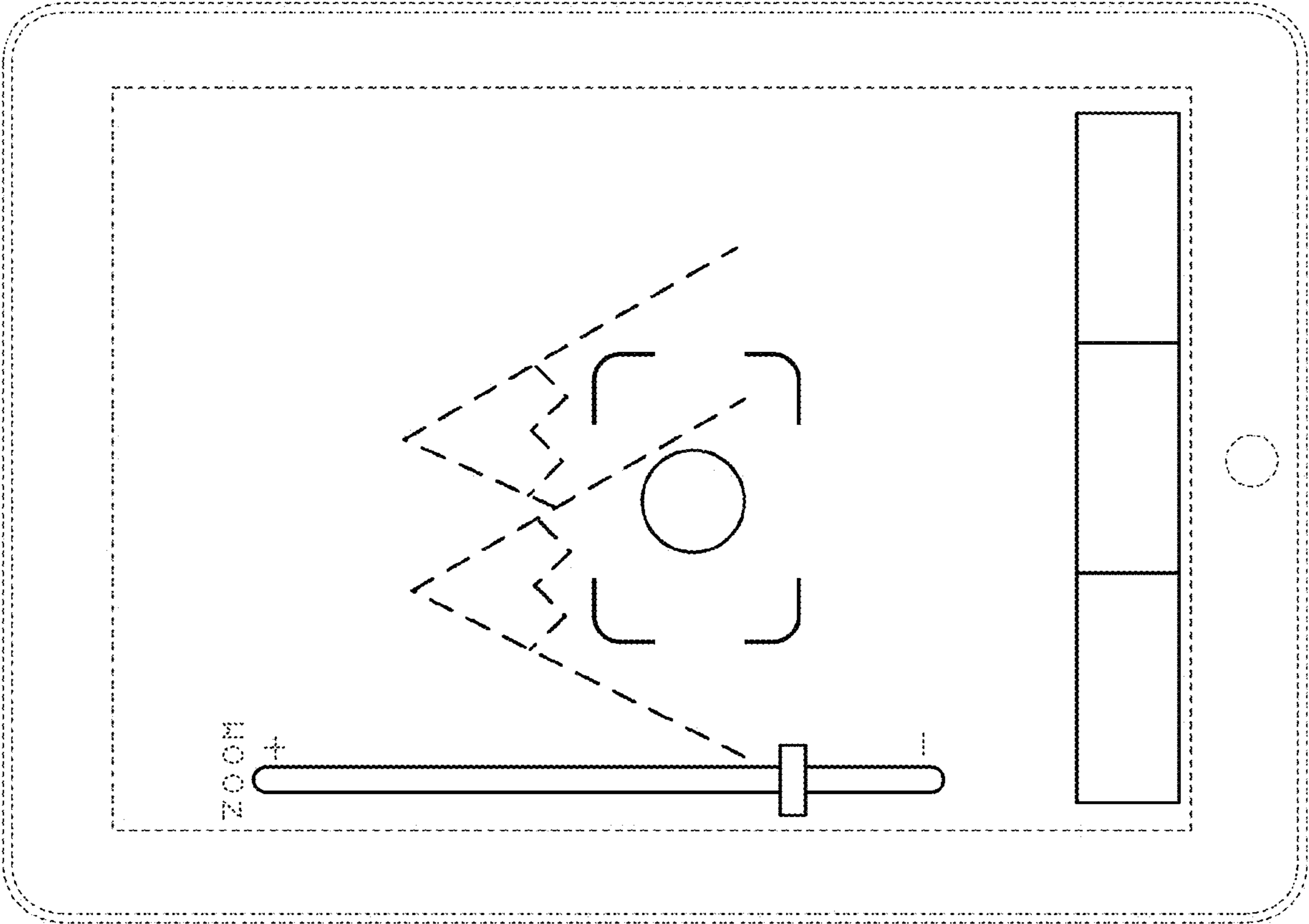


FIG. 6

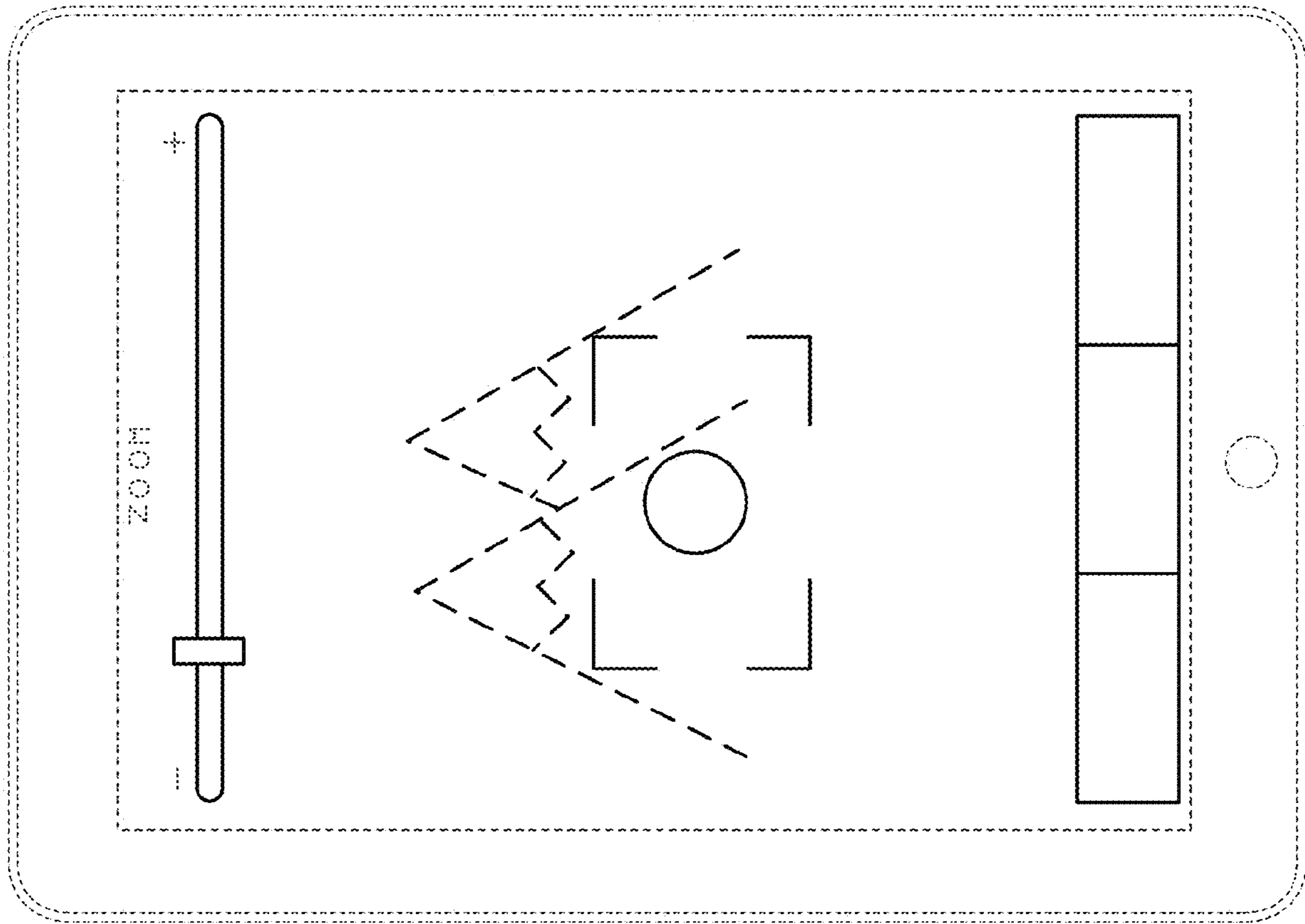


FIG. 7



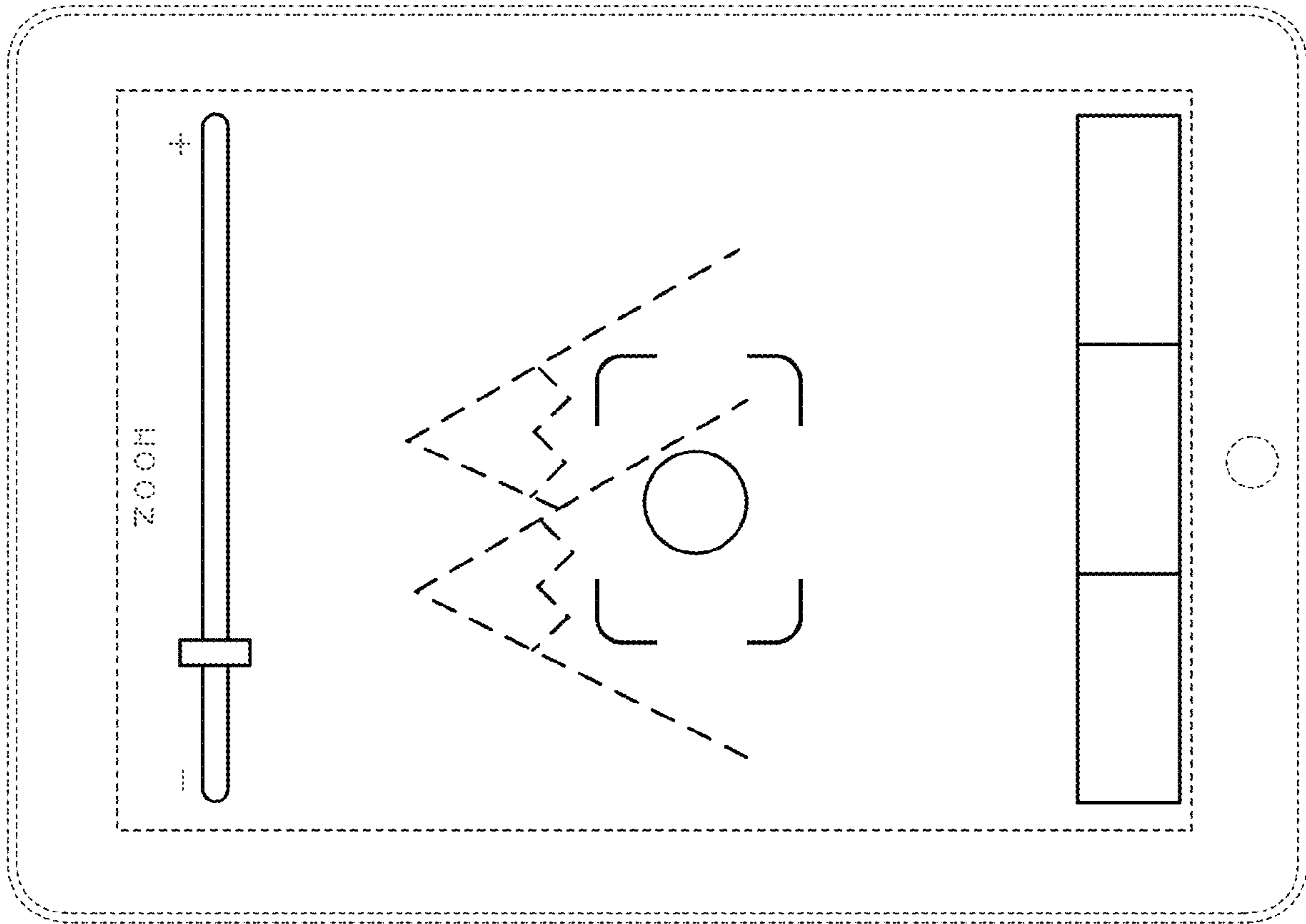


FIG. 8