



US00D895635S

(12) **United States Design Patent**
Sitoh et al.

(10) **Patent No.:** **US D895,635 S**
(45) **Date of Patent:** **** Sep. 8, 2020**

(54) **DUAL MONITOR STAND**

(71) Applicant: **Dell Products L.P.**, Round Rock, TX (US)

(72) Inventors: **Alvin Sitoh**, Singapore (SG); **Kok Lian Lim**, Singapore (SG); **Khang Chian Yong**, Singapore (SG)

(73) Assignee: **Dell Products L.P.**, Round Rock, TX (US)

(**) Term: **15 Years**

(21) Appl. No.: **29/669,203**

(22) Filed: **Nov. 6, 2018**

(51) **LOC (12) Cl.** **14-02**

(52) **U.S. Cl.**
USPC **D14/452**

(58) **Field of Classification Search**
USPC D14/447-452, 336, 341, 371, 373, 374, D14/375, 376, 377, 126, 127, 128, 129, D14/239

CPC F16M 11/105; F16M 11/10; F16M 11/048; F16M 11/12; F16M 13/022

See application file for complete search history.

(56) **References Cited**

U.S. PATENT DOCUMENTS

D491,952 S *	6/2004	Oddsens	D14/447
6,938,869 B2 *	9/2005	Lin	F16M 11/28 248/161
D787,237 S *	5/2017	Bowman	D6/656.15
D805,523 S *	12/2017	Bowman	D14/452
D837,223 S *	1/2019	Wu	D14/451
D853,403 S *	7/2019	Lyu	D14/451
D853,404 S *	7/2019	Bowman	D14/452
D854,861 S *	7/2019	Lee	D6/656
2004/0011938 A1 *	1/2004	Oddsens, Jr.	F16M 11/10 248/393
2007/0097609 A1 *	5/2007	Moscovitch	F16M 11/04 361/679.04
2008/0117578 A1 *	5/2008	Moscovitch	F16M 11/105 361/679.04

(Continued)

FOREIGN PATENT DOCUMENTS

WO WO-2010077249 A1 * 7/2010 G06F 1/1601

OTHER PUBLICATIONS

Amazon. Link: https://www.amazon.com/dp/B07H5SFC5J/ref=cm_sw_r_tw_dp_U_x_HrM-DbY9B61FQ. Sep. 7, 2018. Dell Dual Monitor Stand. (Year: 2018).*

(Continued)

Primary Examiner — Lauren D McVey

(74) *Attorney, Agent, or Firm* — Zagorin Cave LLP; Robert W. Holland

(57) **CLAIM**

We claim the ornamental design for a dual monitor stand, as shown and described.

DESCRIPTION

FIG. 1 is a front perspective view of a dual monitor stand showing our new design;

FIG. 2 is a front elevation view thereof;

FIG. 3 is a rear elevation view thereof;

FIG. 4 is a right side elevation view thereof;

FIG. 5 is a left side elevation view thereof;

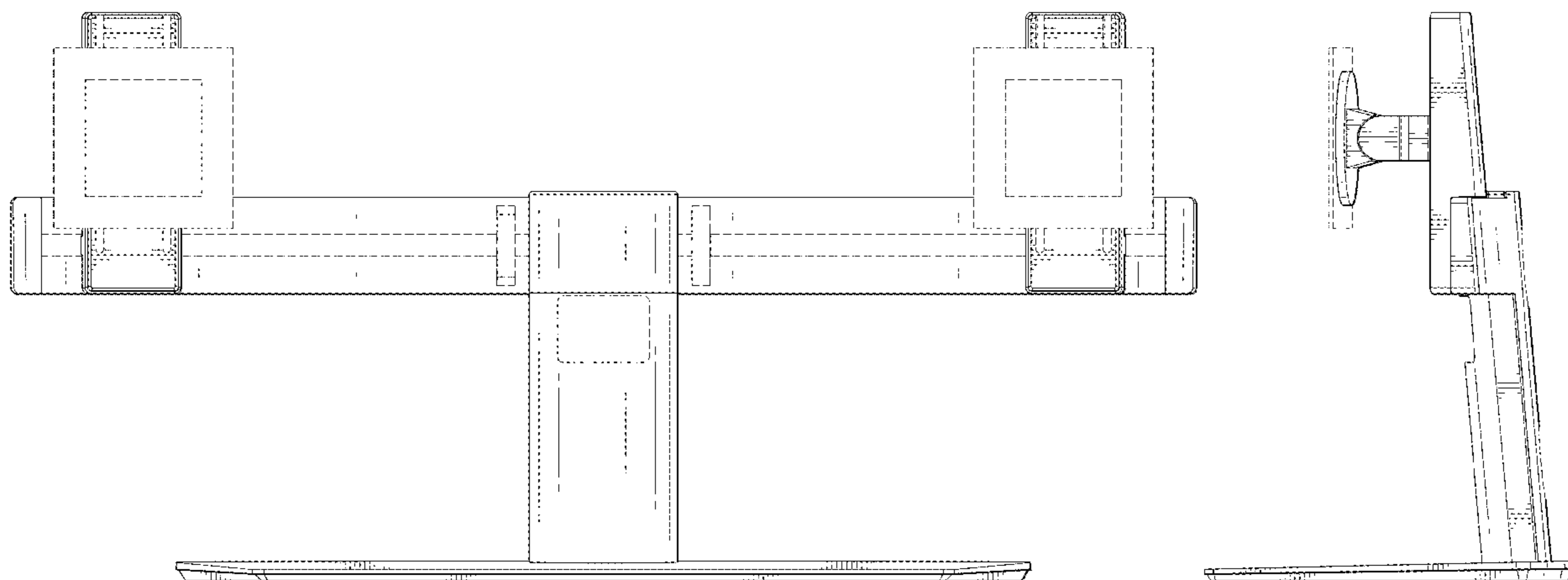
FIG. 6 is a top plan view thereof;

FIG. 7 is a bottom plan view thereof; and,

FIG. 8 is a perspective view of the dual monitor stand shown with additional environment.

The broken lines immediately adjacent the shaded areas depict the bounds of the claimed design, while all other broken lines are directed to environment. In addition, the unshaded surface that directly adjoins the claimed solid line edges forms no part of the claimed design. The broken lines form no part of the claimed design.

1 Claim, 7 Drawing Sheets



(56)

References Cited

U.S. PATENT DOCUMENTS

2015/0159804 A1* 6/2015 Bowman F16M 11/045
248/122.1
2017/0202351 A1* 7/2017 Bowman F16M 11/18

OTHER PUBLICATIONS

Ergodirect, “Chief KTP220S or KTP220B Dual Monitor Desk Stand—Horizontal,” downloaded from https://www.ergodirect.com/product_info.php?products_id=15272, Nov. 6, 2018, 6 pages.

Ergotron, “LX Dual Display Lift Stand,” downloaded from <https://www.ergotron.com/en-us/products/product-details-3>, Nov. 6, 2018.

Ergotron, “Neo-Flex® Dual Monitor Lift Stand,” downloaded from https://www.ergotron.com/en-us/products/product-details/33-396#, Nov. 6, 2018, 6 pages.

Google, “footprint dual monitor stand,” downloaded from [https://www.google.com/search?q=footprint+dual+monitor+stand+dell&rlz=1C1CHBF_enUS744US744&source=univ&tbm=shop&tbo=u&sa=X&ved=0 . . .](https://www.google.com/search?q=footprint+dual+monitor+stand+dell&rlz=1C1CHBF_enUS744US744&source=univ&tbm=shop&tbo=u&sa=X&ved=0...), Nov. 5, 2018, 5 pages.

HP, “HP Adjustable Dual Share Display Stand—for 2 LCD Displays,” downloaded from Amazon, Nov. 6, 2018, 7 pages.

Lenovo, “ThinkCentre M625 Thin,” downloaded from <https://lepovoquickpick.com/usa/accessorycategory/48/stands-arms-mechanical-accessories#accessory/69605>, Nov. 6, 2018, 20 pages.

Samsung, “Dual Monitor Stand,” downloaded from <https://www.samsung.com/us/computing/computing-acce/computers/dual-monitor-stand-997-5253-00/>, Nov. 6, 2018, 6 pages.

* cited by examiner

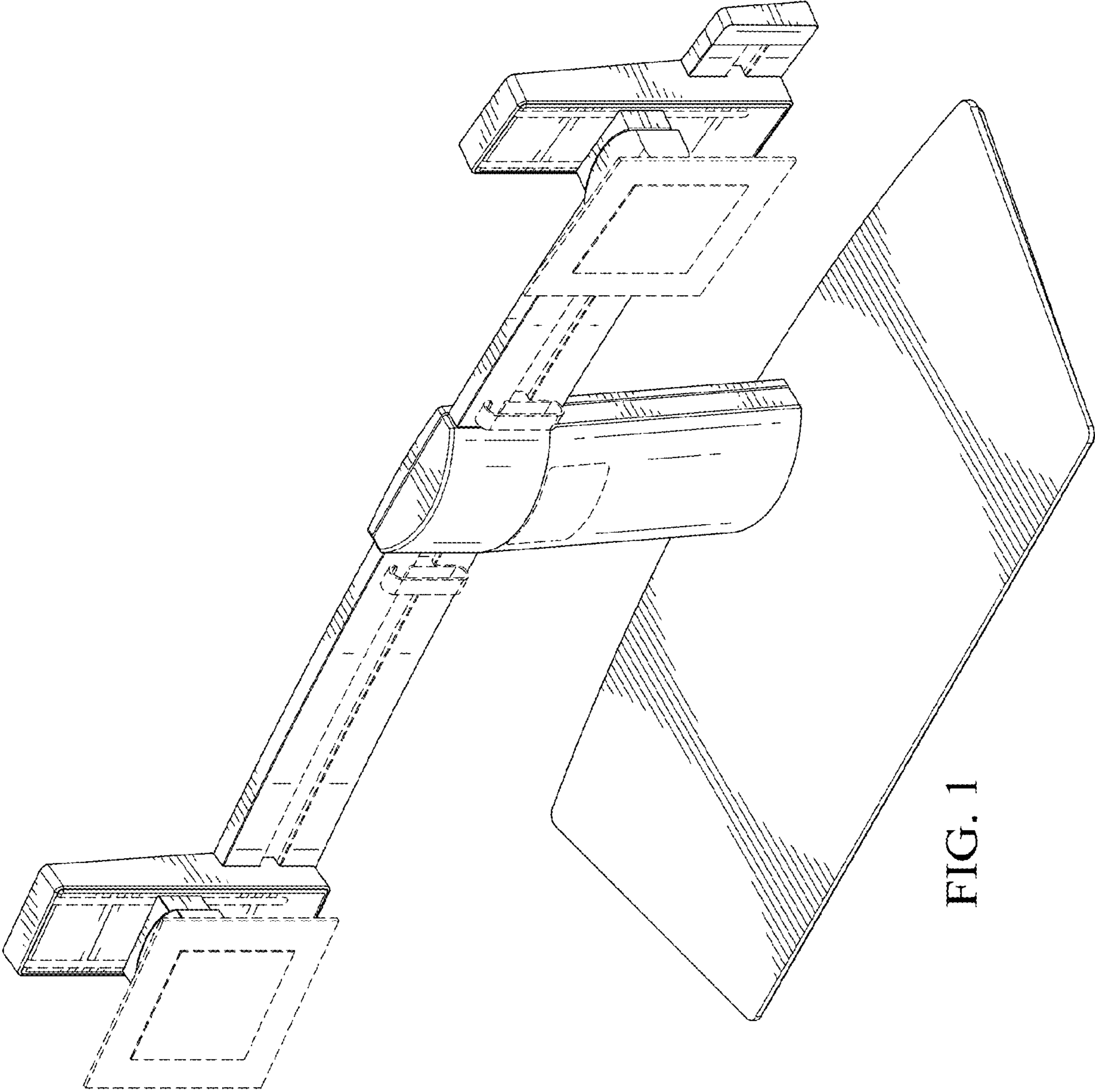


FIG. 1

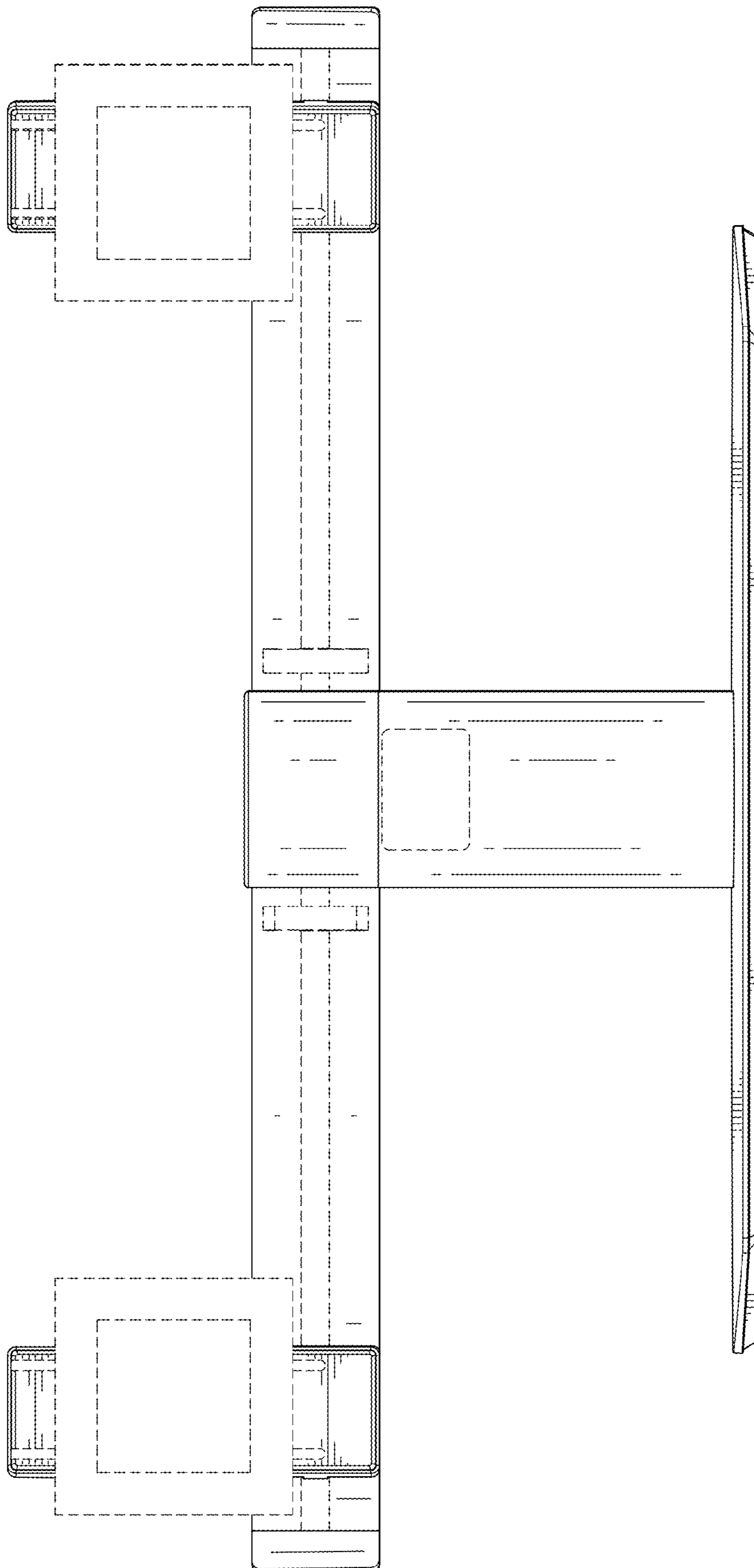


FIG. 2

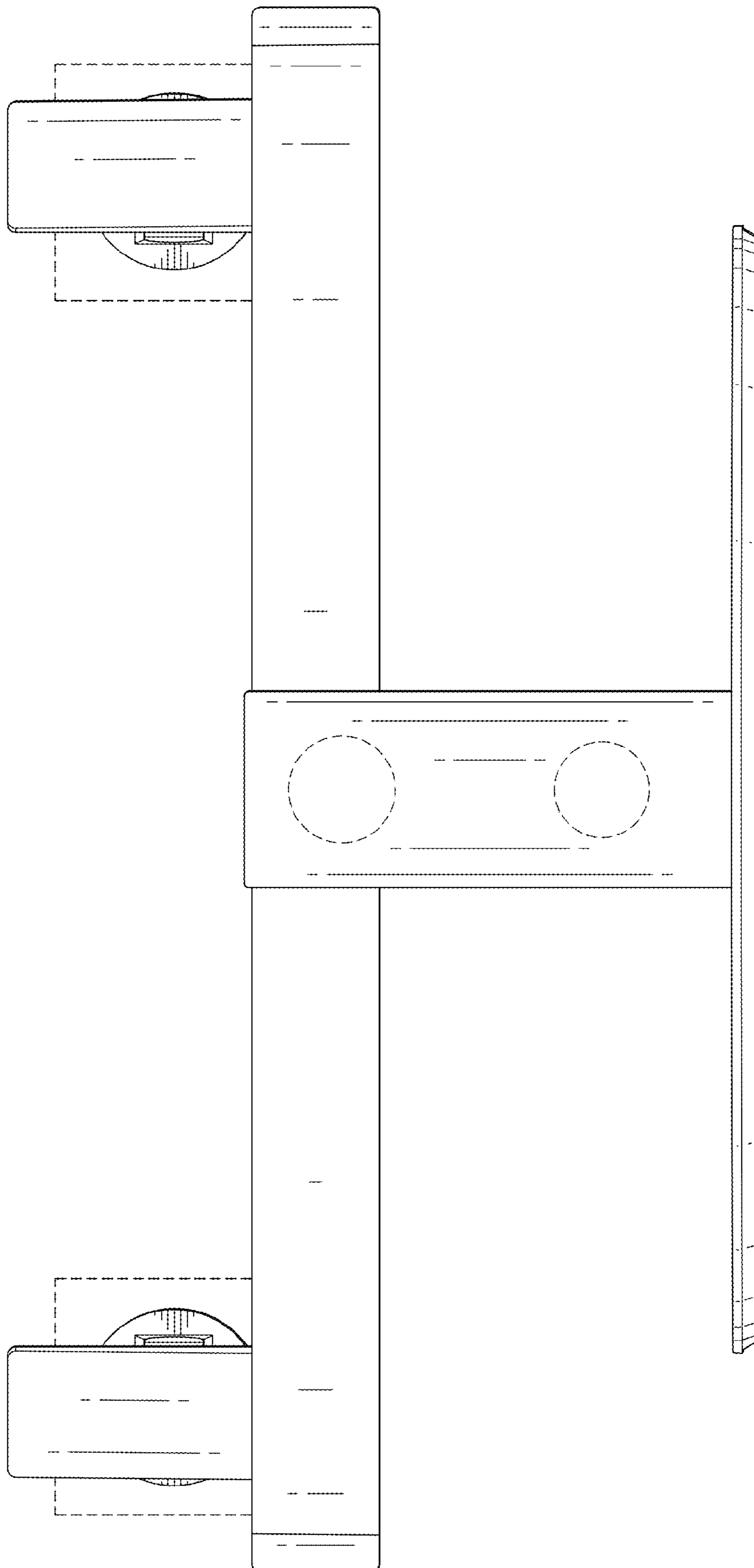


FIG. 3

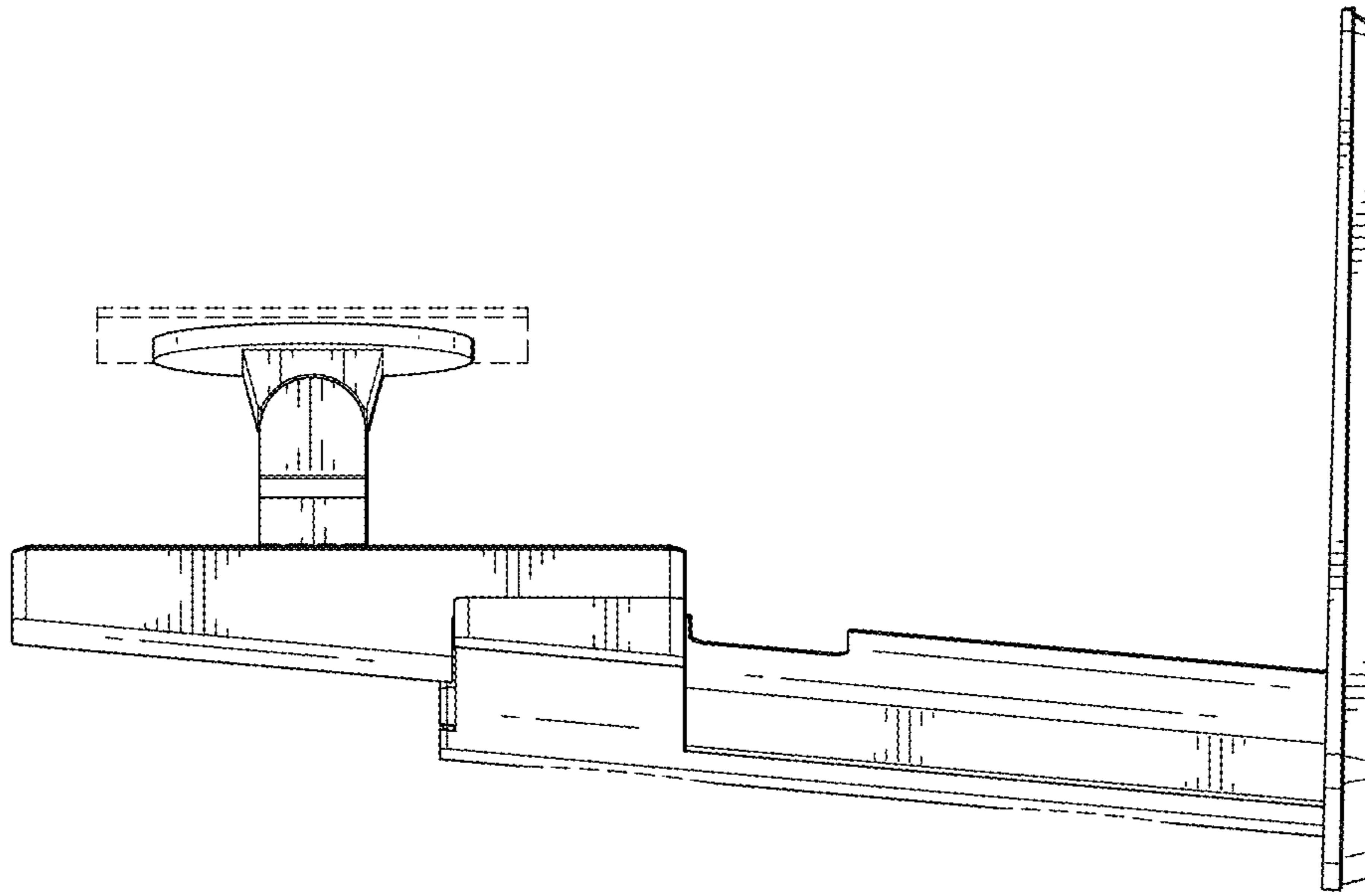


FIG. 5

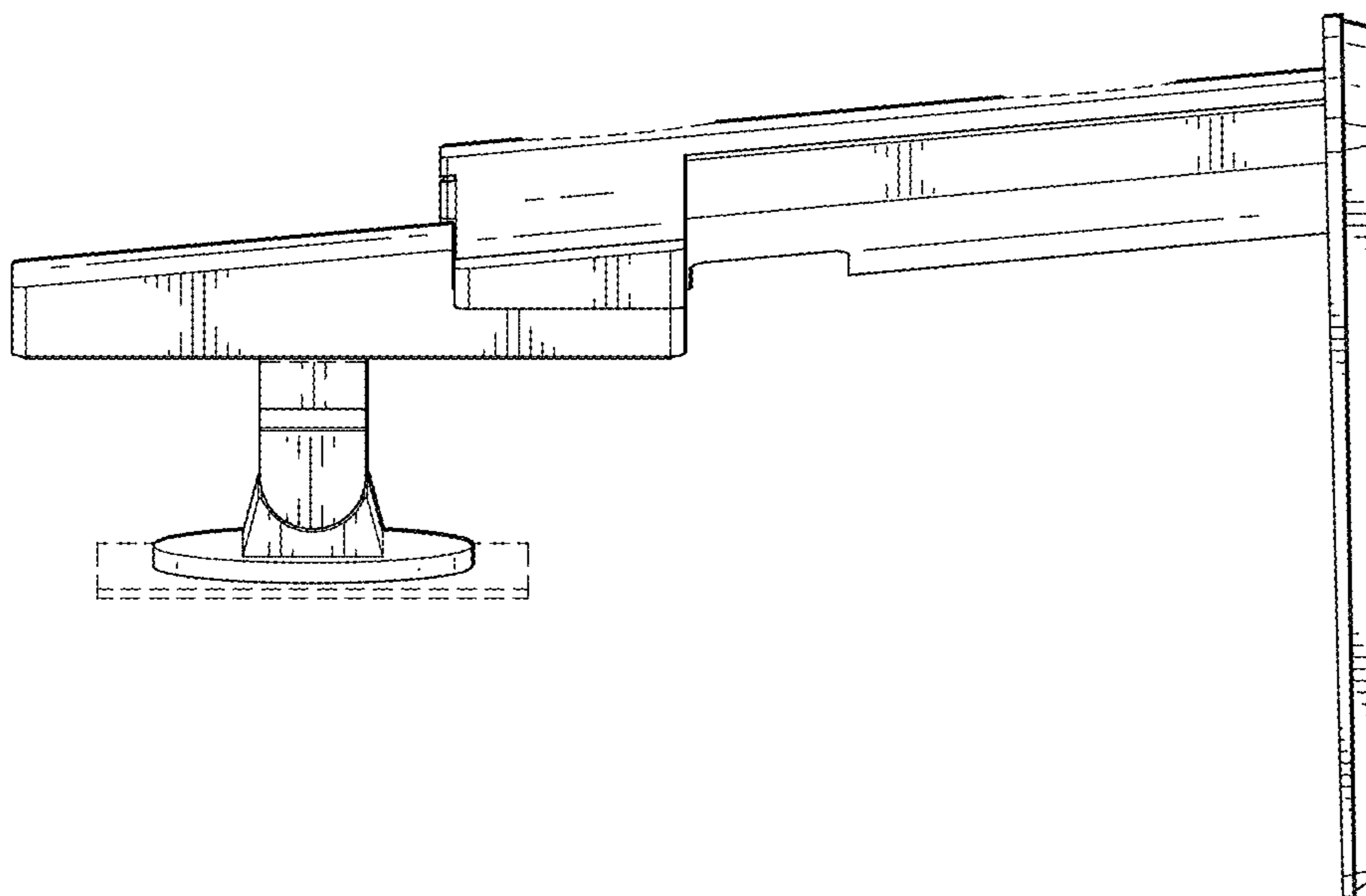


FIG. 4

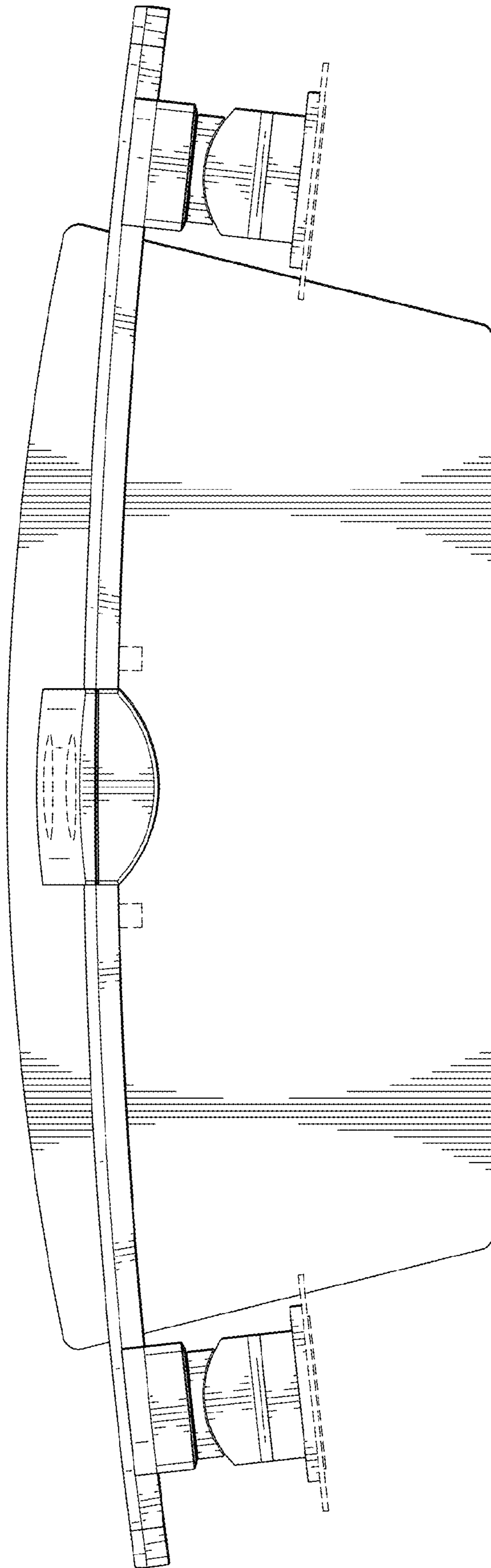


FIG. 6

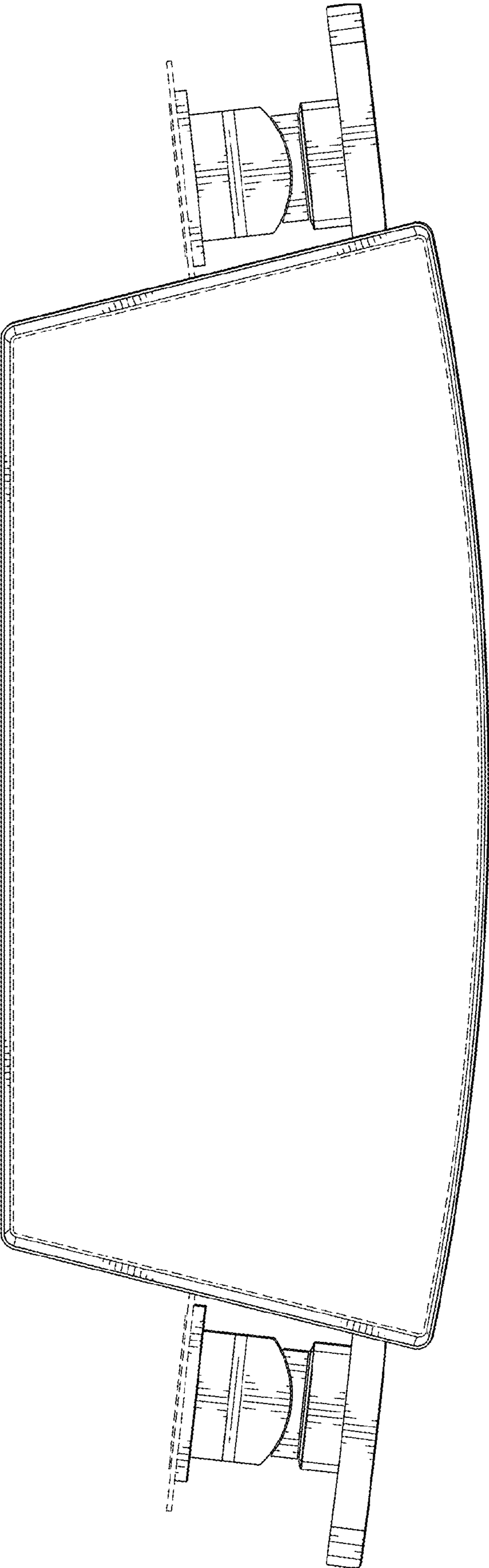


FIG. 7

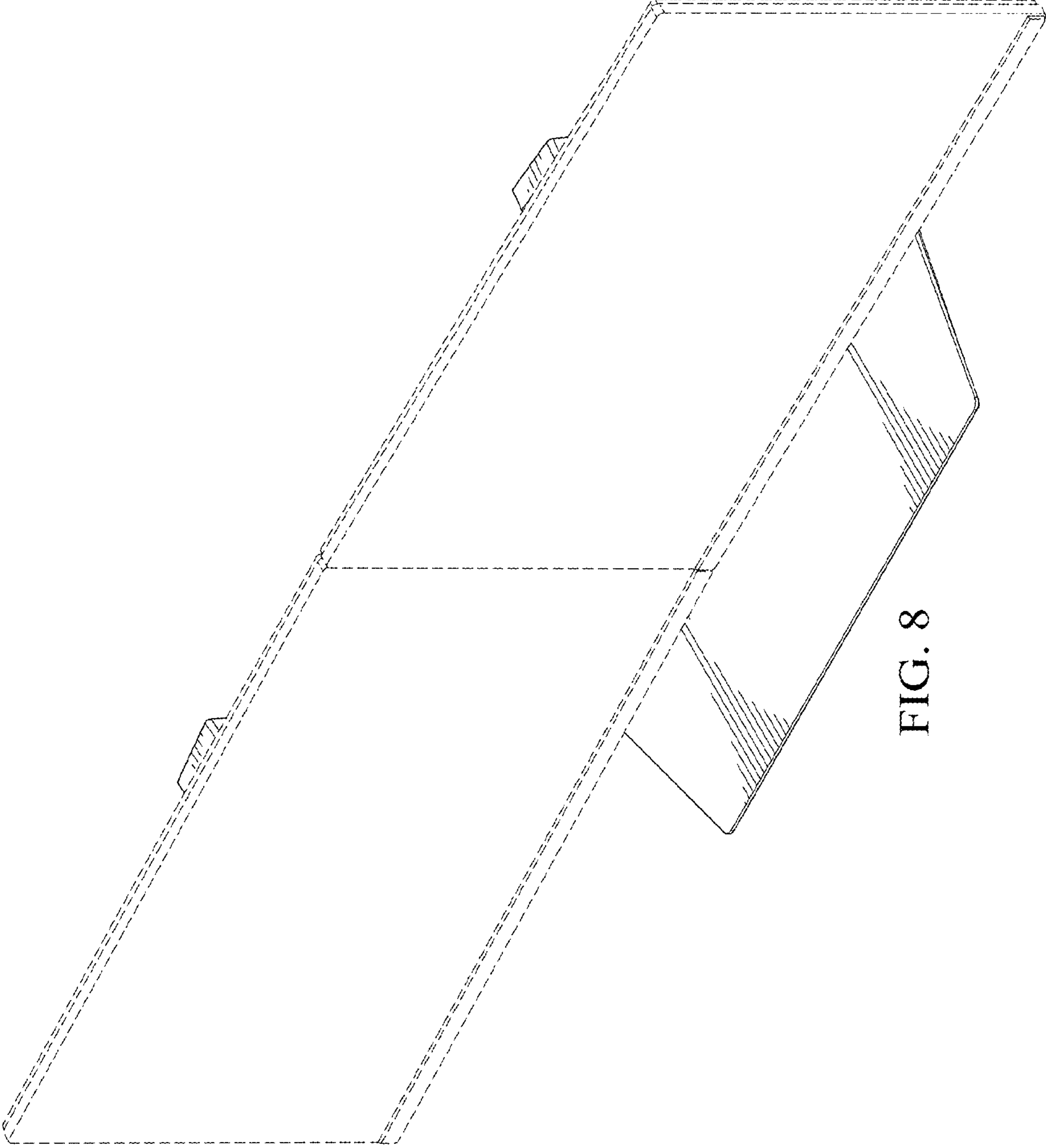


FIG. 8