



US00D895634S

(12) **United States Design Patent** (10) **Patent No.:** **US D895,634 S**  
**Carrasquillo et al.** (45) **Date of Patent:** **\*\* Sep. 8, 2020**

(54) **POLE ARM**

(71) Applicant: **Innovative Office Products, LLC**,  
Easton, PA (US)

(72) Inventors: **Peter J. Carrasquillo**, Columbia, MO  
(US); **Stephen J. Bowman**,  
Saylorsburg, PA (US)

(73) Assignee: **Innovative Office Products, LLC**,  
Easton, PA (US)

(\*\*) Term: **15 Years**

(21) Appl. No.: **29/666,471**

(22) Filed: **Oct. 12, 2018**

**Related U.S. Application Data**

(63) Continuation of application No. 29/579,054, filed on  
Sep. 27, 2016, now abandoned.

(51) **LOC (12) Cl.** ..... **14-02**

(52) **U.S. Cl.**  
USPC ..... **D14/452**

(58) **Field of Classification Search**  
USPC ..... D14/447-452, 336, 341, 371, 373, 374,  
D14/375, 376, 377, 126, 127, 128, 129,  
D14/239

CPC .... F16M 11/105; F16M 11/10; F16M 11/048;  
F16M 11/12; F16M 13/022

See application file for complete search history.

(56) **References Cited**

**U.S. PATENT DOCUMENTS**

- D386,158 S \* 11/1997 Rosen ..... D14/126
- D649,535 S \* 11/2011 Lau ..... D14/239
- D753,128 S \* 4/2016 Anderson ..... D14/452
- D800,728 S \* 10/2017 Pfeiffer ..... D14/375
- D813,009 S \* 3/2018 Lindo ..... D8/323
- D819,015 S \* 5/2018 Lee ..... D14/253

- D824,380 S \* 7/2018 Lee ..... D14/253
- D834,031 S \* 11/2018 Lindo ..... D14/452
- D834,032 S \* 11/2018 Lindo ..... D14/452
- D845,963 S \* 4/2019 Lindo ..... D14/452
- 2018/0094768 A1\* 4/2018 Burke ..... F16M 11/18

**FOREIGN PATENT DOCUMENTS**

- CA 2488192 A1 \* 12/2005 ..... F16B 7/0433
- EM 003803691-0001 \* 7/2017
- EM 003803691-0002 \* 7/2017
- EM 003803691-0003 \* 7/2017

(Continued)

**OTHER PUBLICATIONS**

Amazon. Link: [https://www.amazon.com/dp/B07517VHG4/ref=cm\\_sw\\_r\\_tw\\_dp\\_U\\_x\\_MAO-DbS9BJAQ1](https://www.amazon.com/dp/B07517VHG4/ref=cm_sw_r_tw_dp_U_x_MAO-DbS9BJAQ1). Oct. 9, 2017. Ergotron 45-509-216 LX Dual Stacking Arm, Tall Pole. (Year: 2017).\*

*Primary Examiner* — Lauren D McVey

(74) *Attorney, Agent, or Firm* — Design IP

(57) **CLAIM**

The ornamental design for a pole arm, as shown and described.

**DESCRIPTION**

FIG. 1 is a perspective view of a pole arm showing our new design;

FIG. 2 is a front elevation view thereof;

FIG. 3 is a rear elevation view thereof;

FIG. 4 is a left side elevation view thereof;

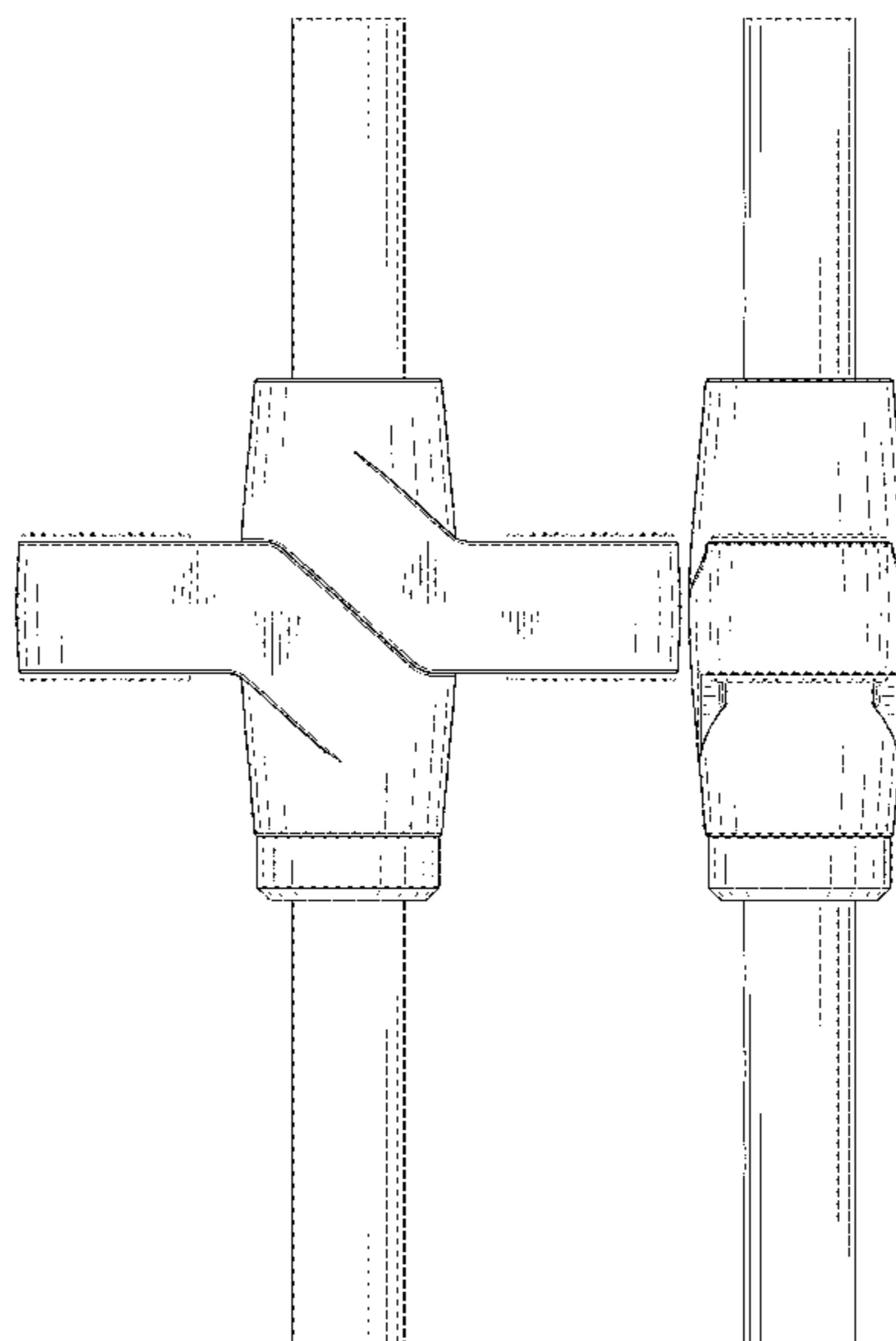
FIG. 5 is a right side elevation view thereof;

FIG. 6 is a top plan view thereof; and,

FIG. 7 is a bottom plan view thereof.

The broken lines immediately adjacent to the shaded areas depict the bounds of the claimed design, while all other broken lines are directed to environment. The broken lines form no part of the claimed design.

**1 Claim, 5 Drawing Sheets**



(56)

**References Cited**

FOREIGN PATENT DOCUMENTS

|    |                  |   |        |                    |
|----|------------------|---|--------|--------------------|
| EM | 003803691-0004   | * | 7/2017 |                    |
| FR | 3033018 A1       | * | 8/2016 | ..... B64D 47/00   |
| WO | WO-2018141000 A1 | * | 8/2018 | ..... F16M 11/2014 |

\* cited by examiner

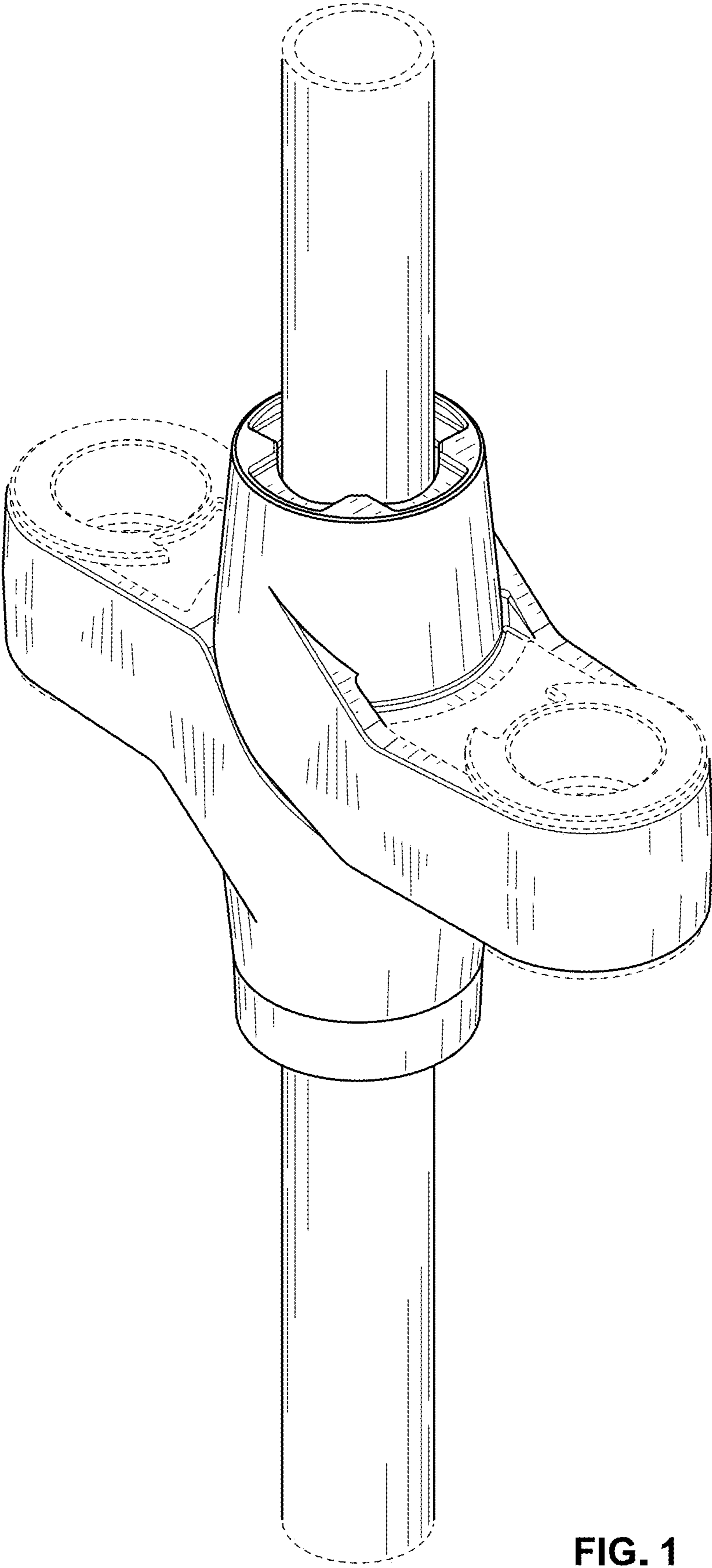


FIG. 1

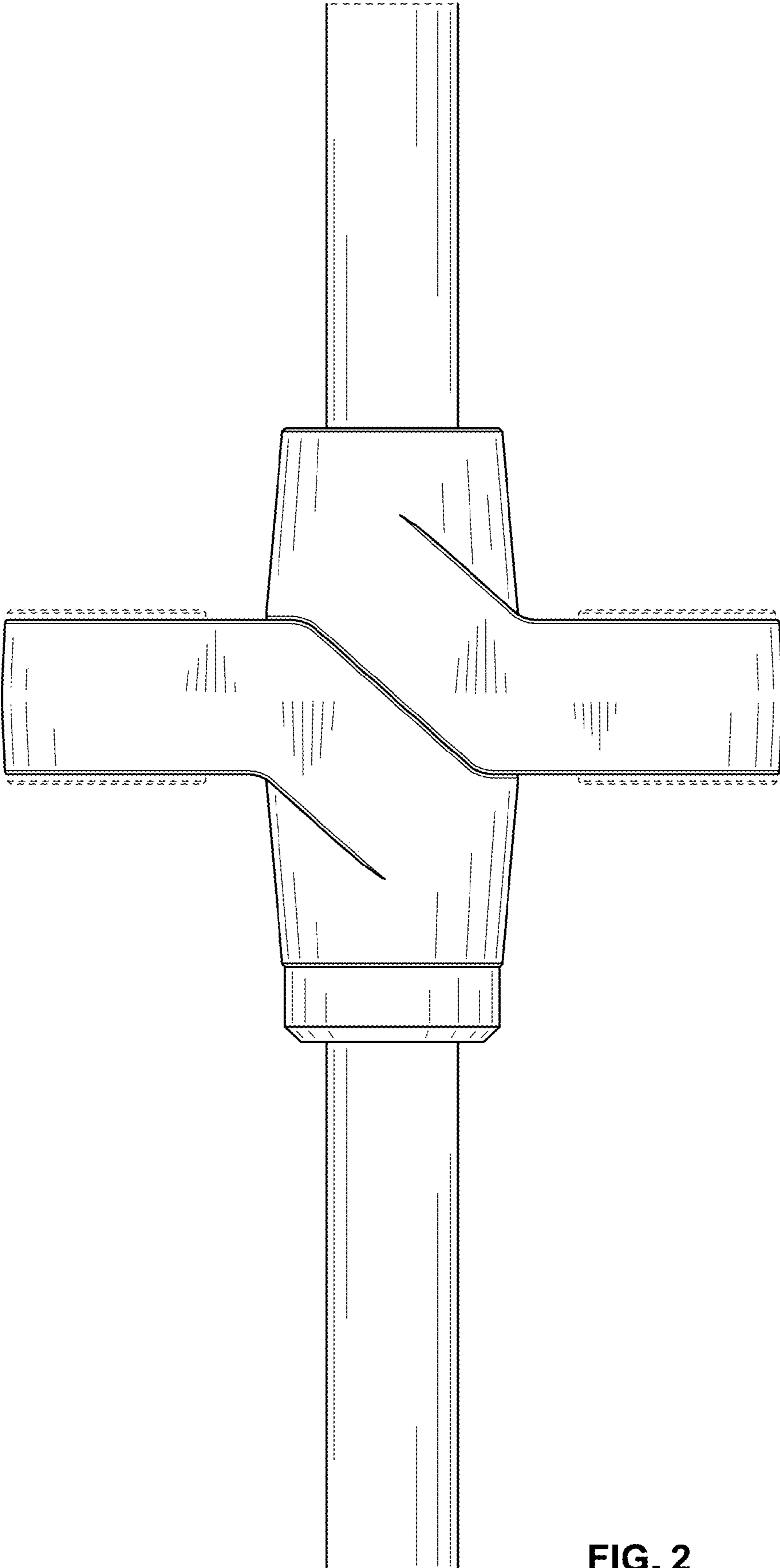


FIG. 2

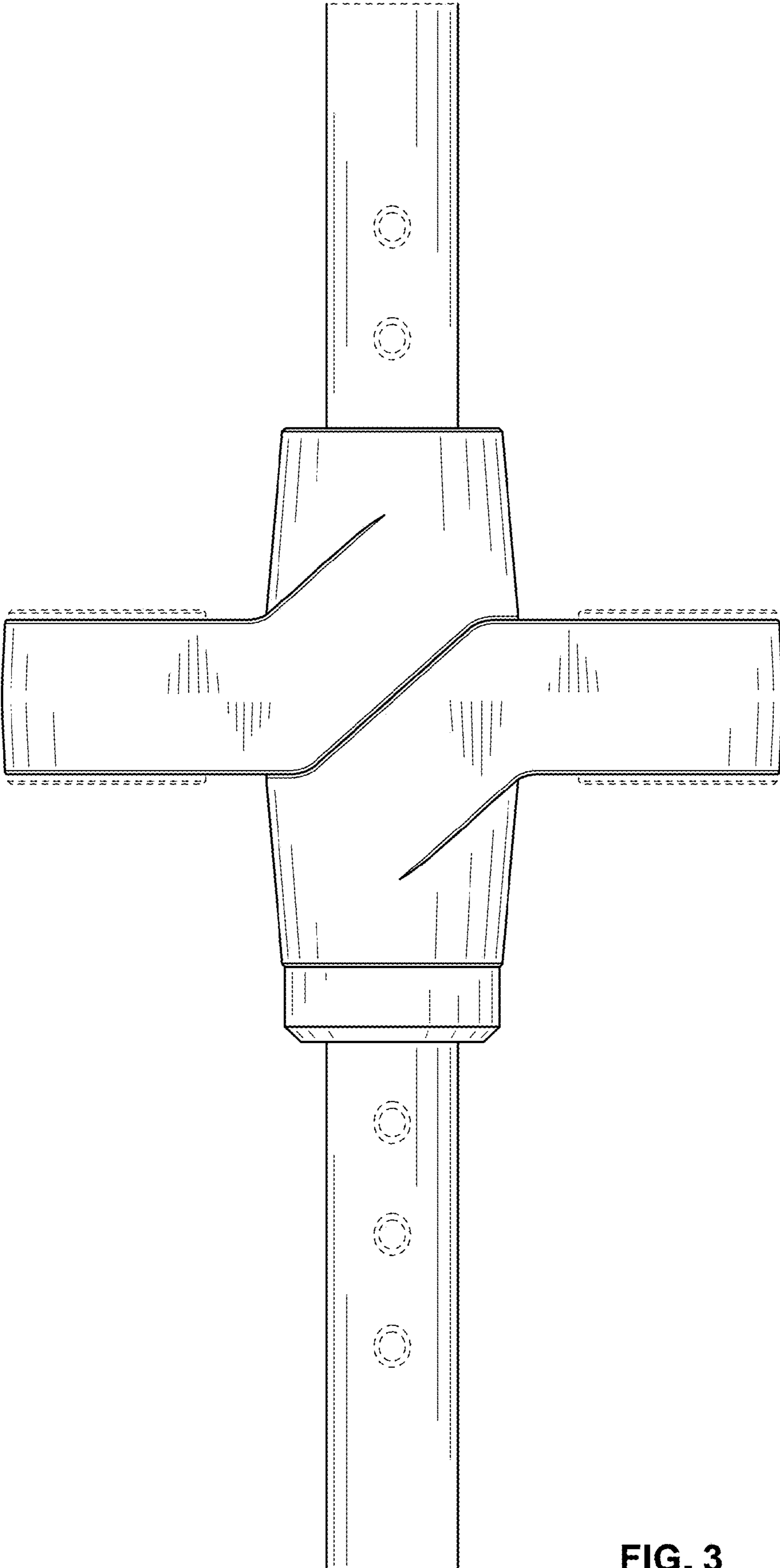


FIG. 3

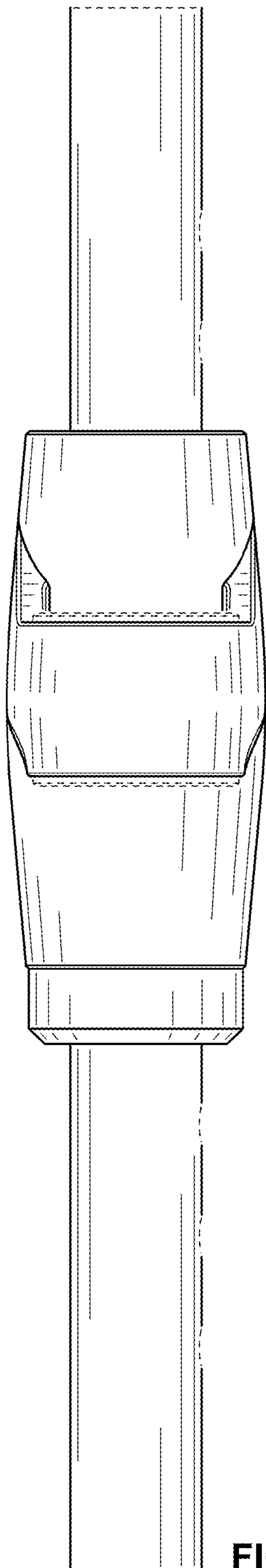


FIG. 4

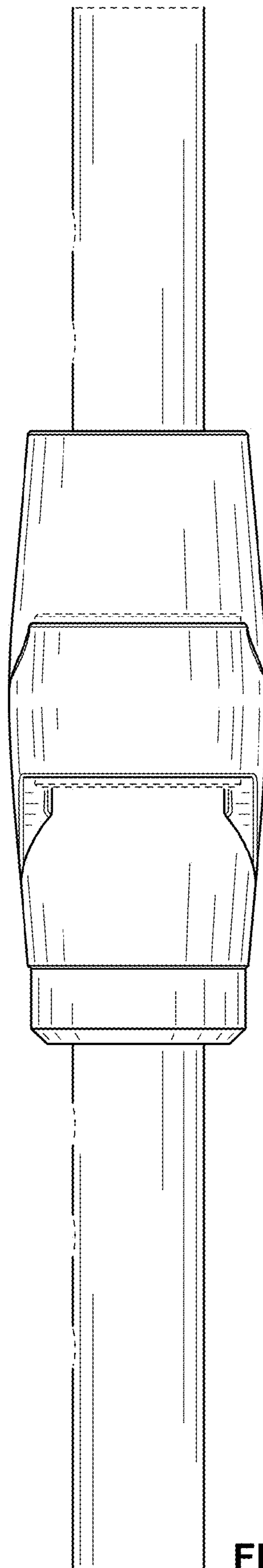


FIG. 5

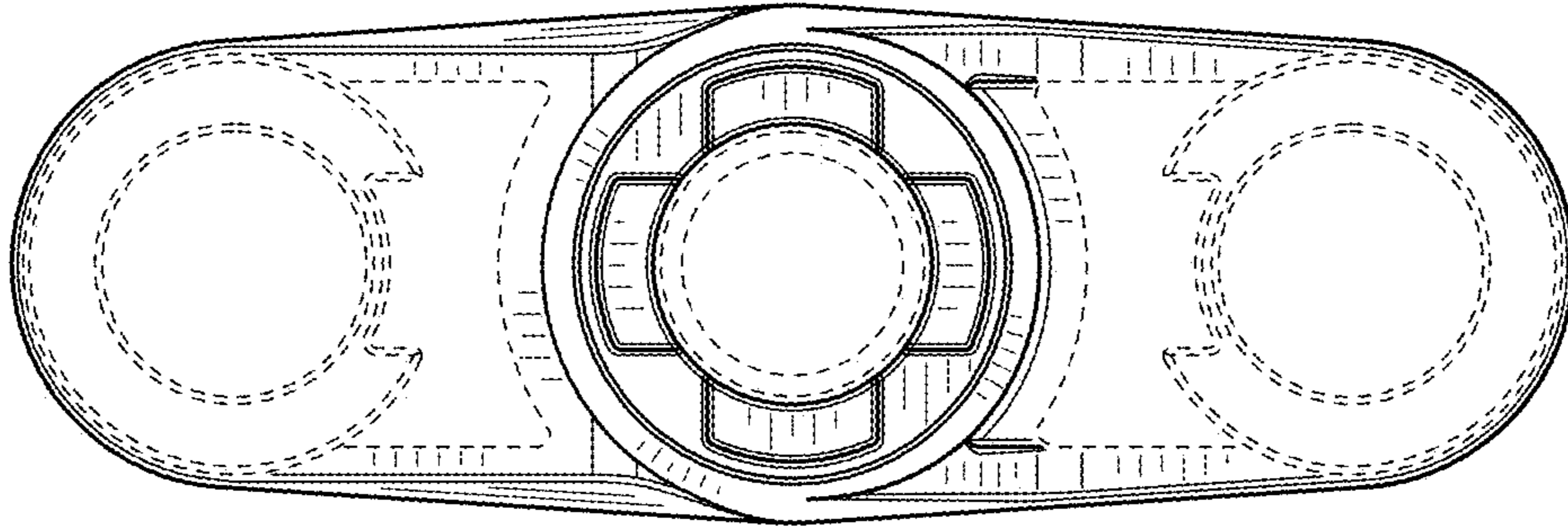


FIG. 6

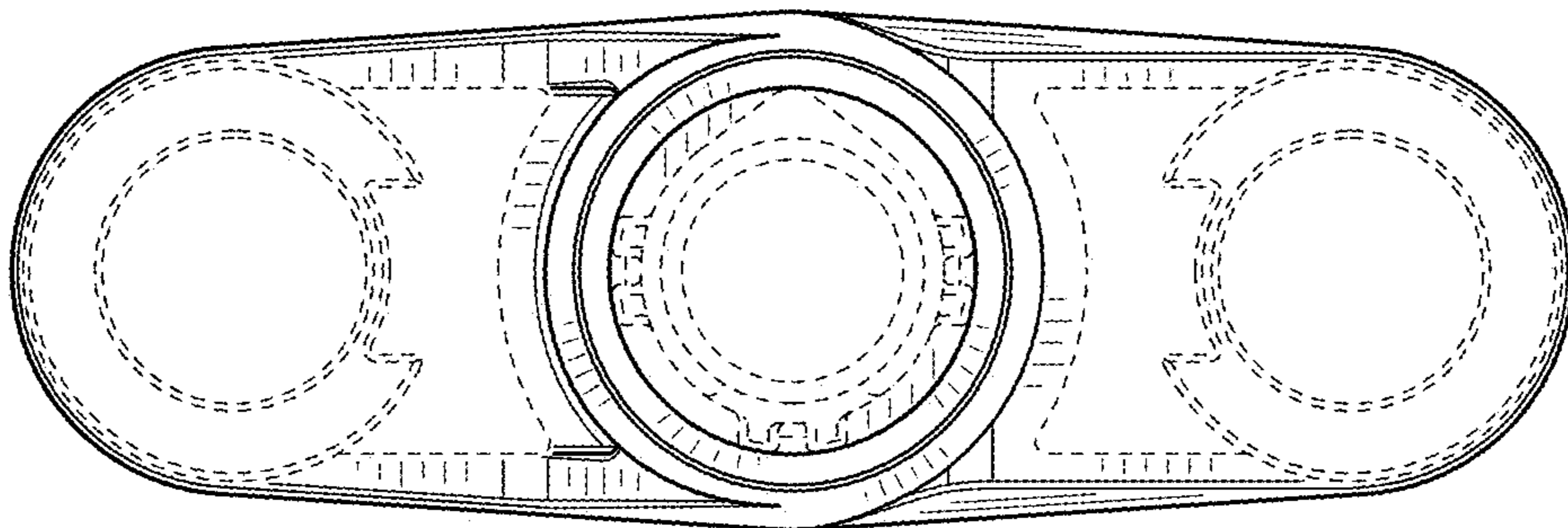


FIG. 7