



US00D895633S

(12) **United States Design Patent**
Knapp et al.

(10) **Patent No.:** **US D895,633 S**
(45) **Date of Patent:** **** Sep. 8, 2020**

(54) **ADJUSTABLE STAND**

- (71) Applicant: **CKnapp Sales, Inc.**, Goodfield, IL (US)
- (72) Inventors: **Chance Knapp**, Goodfield, IL (US);
Brandon Meyer, Normal, IL (US)
- (73) Assignee: **CKnapp Sales, Inc.**, Goodfield, IL (US)
- (**) Term: **15 Years**
- (21) Appl. No.: **29/665,280**
- (22) Filed: **Oct. 2, 2018**
- (51) **LOC (12) Cl.** **14-02**
- (52) **U.S. Cl.**
USPC **D14/452**
- (58) **Field of Classification Search**
USPC D14/447-452, 336, 341, 371, 373, 374,
D14/375, 376, 377, 126, 127, 128, 129
CPC F16M 11/105; F16M 11/10; F16M 11/048;
F16M 11/12; F16M 13/022
See application file for complete search history.

FOREIGN PATENT DOCUMENTS

CN	303069416	*	1/2015	
EP	2060846 A1	*	5/2009 F16M 11/24
GB	4025798	*	1/2013	

OTHER PUBLICATIONS

Amazon. Link: https://www.amazon.com/dp/B07BJ581GW/ref=cm_sw_r_tw_dp_U_x_ZVM7DbD0TXR0W. Aug. 8, 2018. EleTab Single Monitor Desk Mount Stand Heavy Duty. (Year: 2018).*

* cited by examiner

Primary Examiner — Lauren D McVey

(74) *Attorney, Agent, or Firm* — Marshall, Gerstein & Borun LLP

(57) **CLAIM**

The ornamental design for an adjustable stand, as shown and described.

(56) **References Cited**

U.S. PATENT DOCUMENTS

D472,556 S	*	4/2003	Scharer	D14/452
D523,856 S	*	6/2006	Phipps	D14/375
D591,287 S	*	4/2009	Hwang	D14/337
D602,453 S	*	10/2009	Ding	D14/126
D655,279 S	*	3/2012	Buzzard	D14/239
D658,189 S	*	4/2012	Zhao	D14/447
D685,806 S	*	7/2013	Kim	D14/451
D692,901 S	*	11/2013	Chung	D14/451
D761,256 S	*	7/2016	Lee	D14/371
D788,782 S	*	6/2017	Lim	D14/451
D849,456 S	*	5/2019	Chumakov	D6/656.13
2009/0184224 A1	*	7/2009	Gan	F16M 11/105 248/283.1
2014/0139082 A1	*	5/2014	Green	A47B 23/042 312/237

DESCRIPTION

FIG. 1 is a perspective view showing a new design for an adjustable stand;

FIG. 2 is a front view of the adjustable stand of FIG. 1;

FIG. 3 is a rear view of the adjustable stand of FIG. 1;

FIG. 4 is a left-side view of the adjustable stand of FIG. 1;

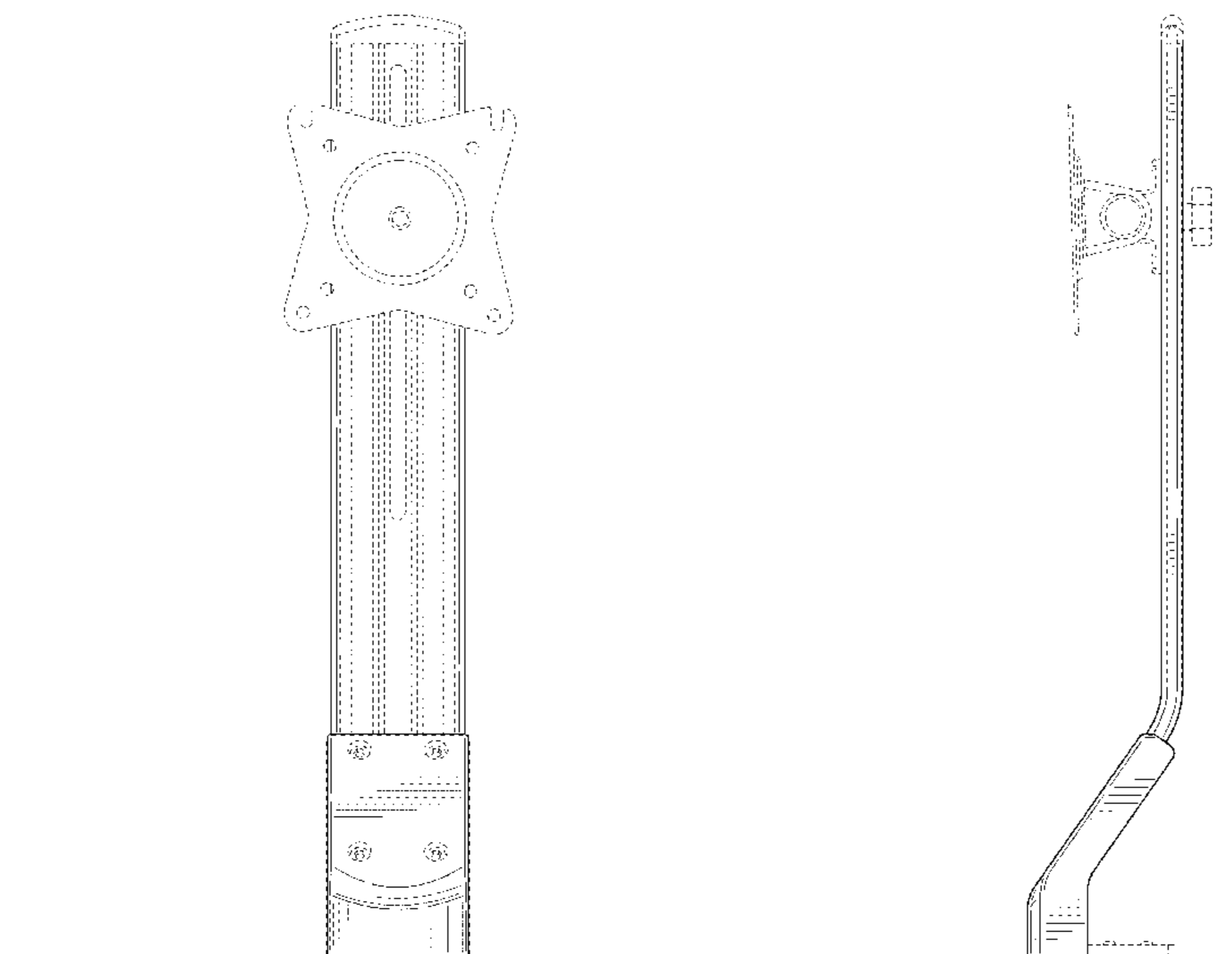
FIG. 5 is a right-side view of the adjustable stand of FIG. 1;

FIG. 6 is a top view of the adjustable stand of FIG. 1; and,

FIG. 7 is a bottom view of the adjustable stand of FIG. 1.

The broken lines immediately adjacent to the claim depict the bounds of the claimed design and form no part of the claimed design. All other broken lines are directed to environment and form no part of the claimed design.

1 Claim, 7 Drawing Sheets



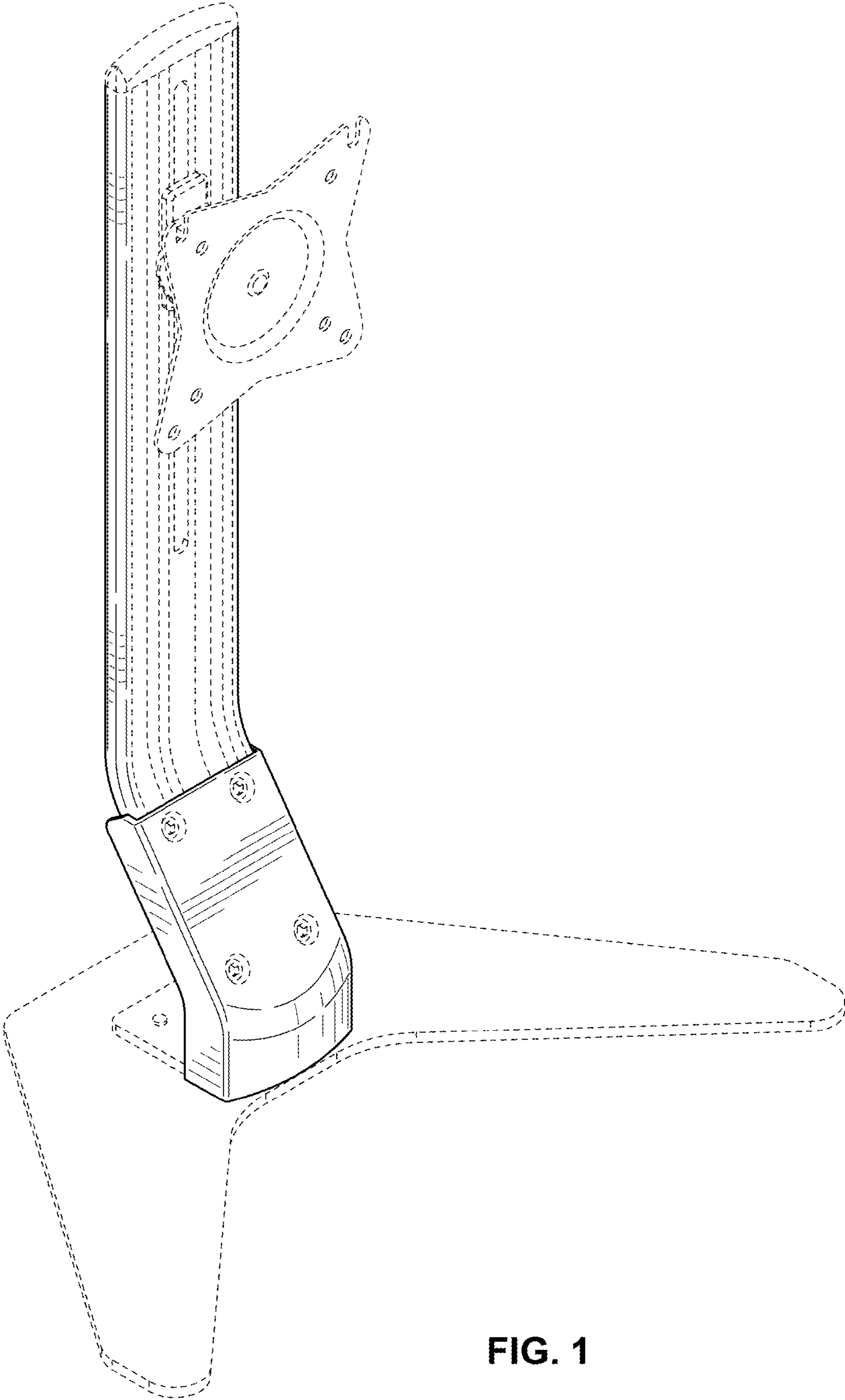


FIG. 1

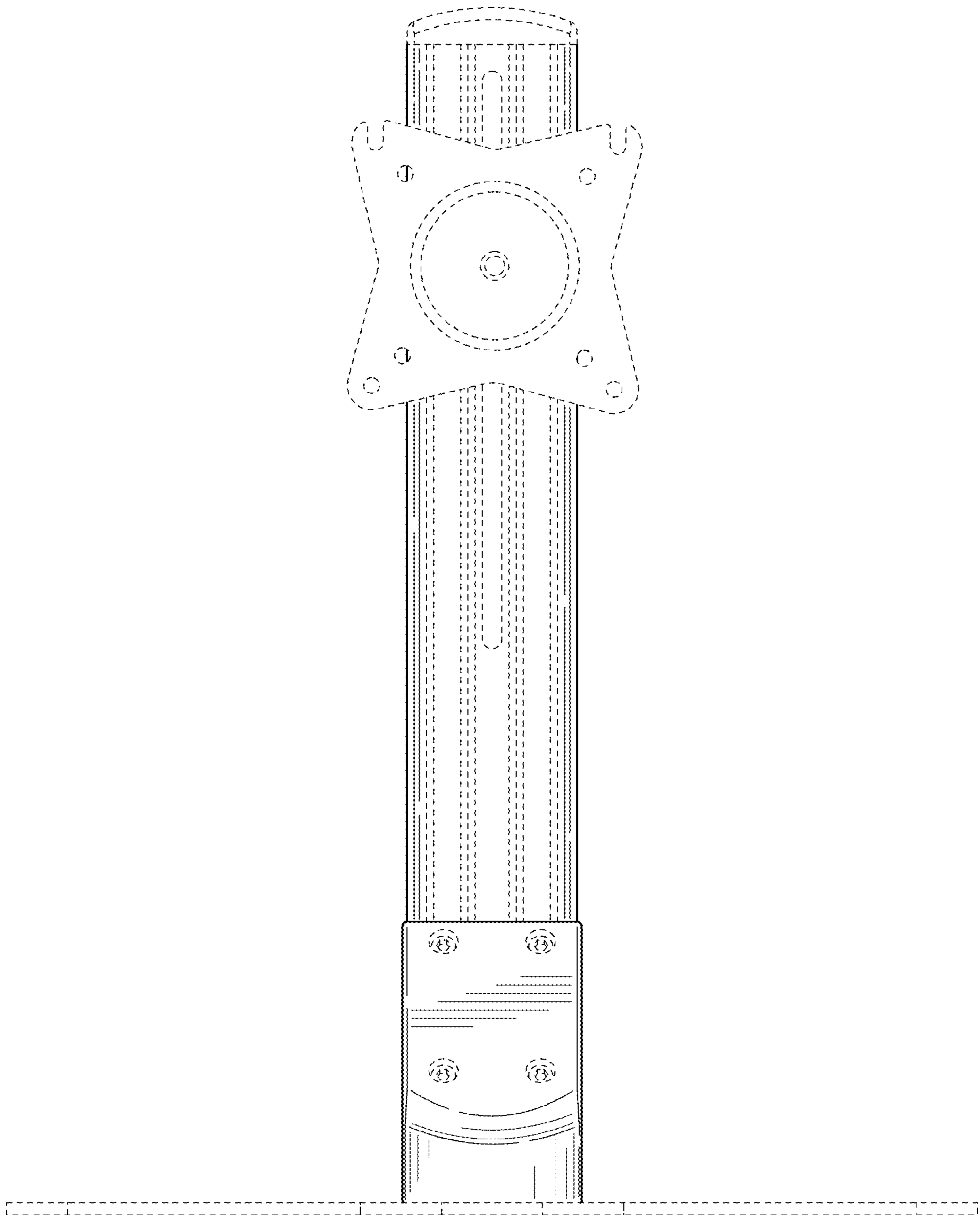


FIG. 2

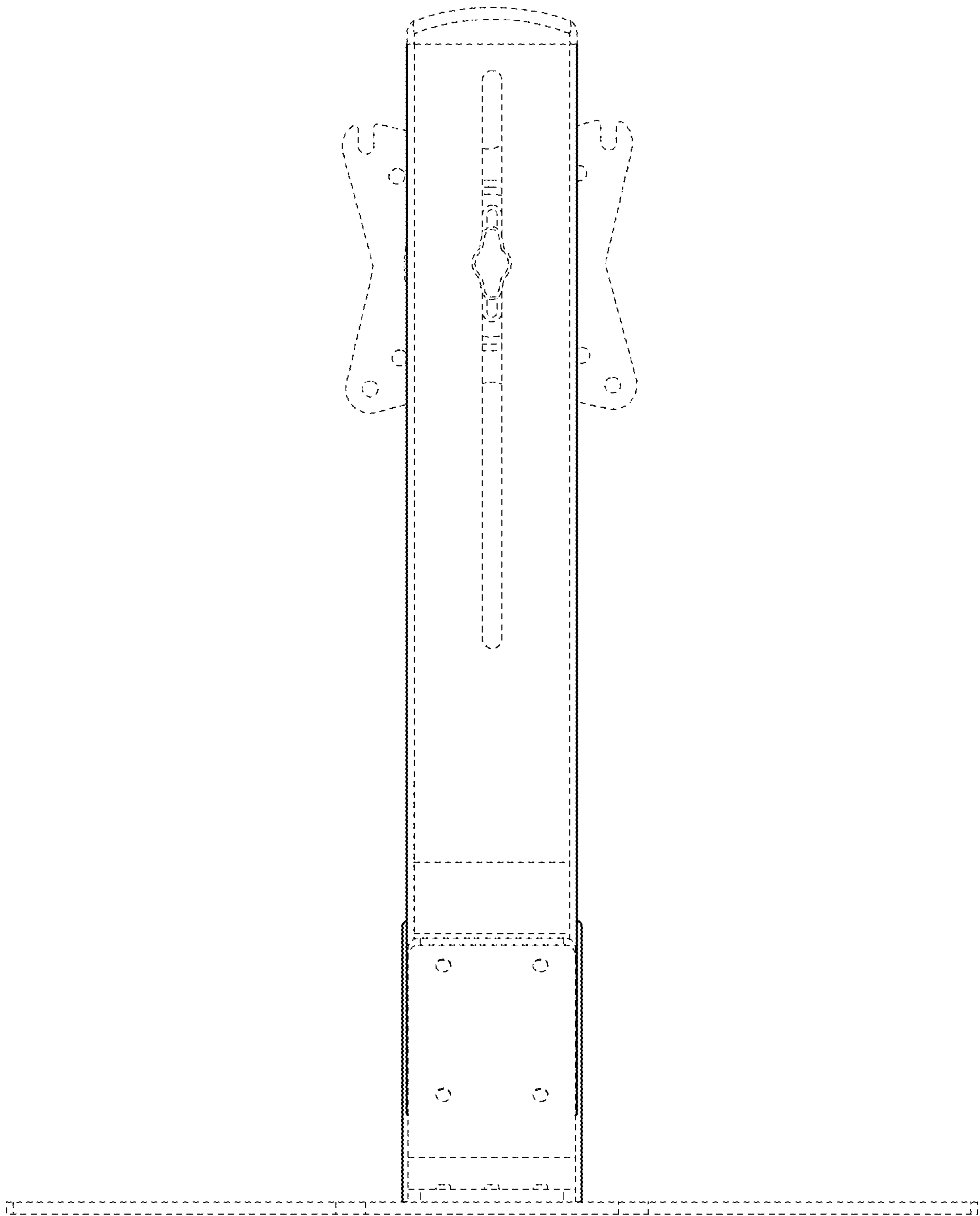


FIG. 3

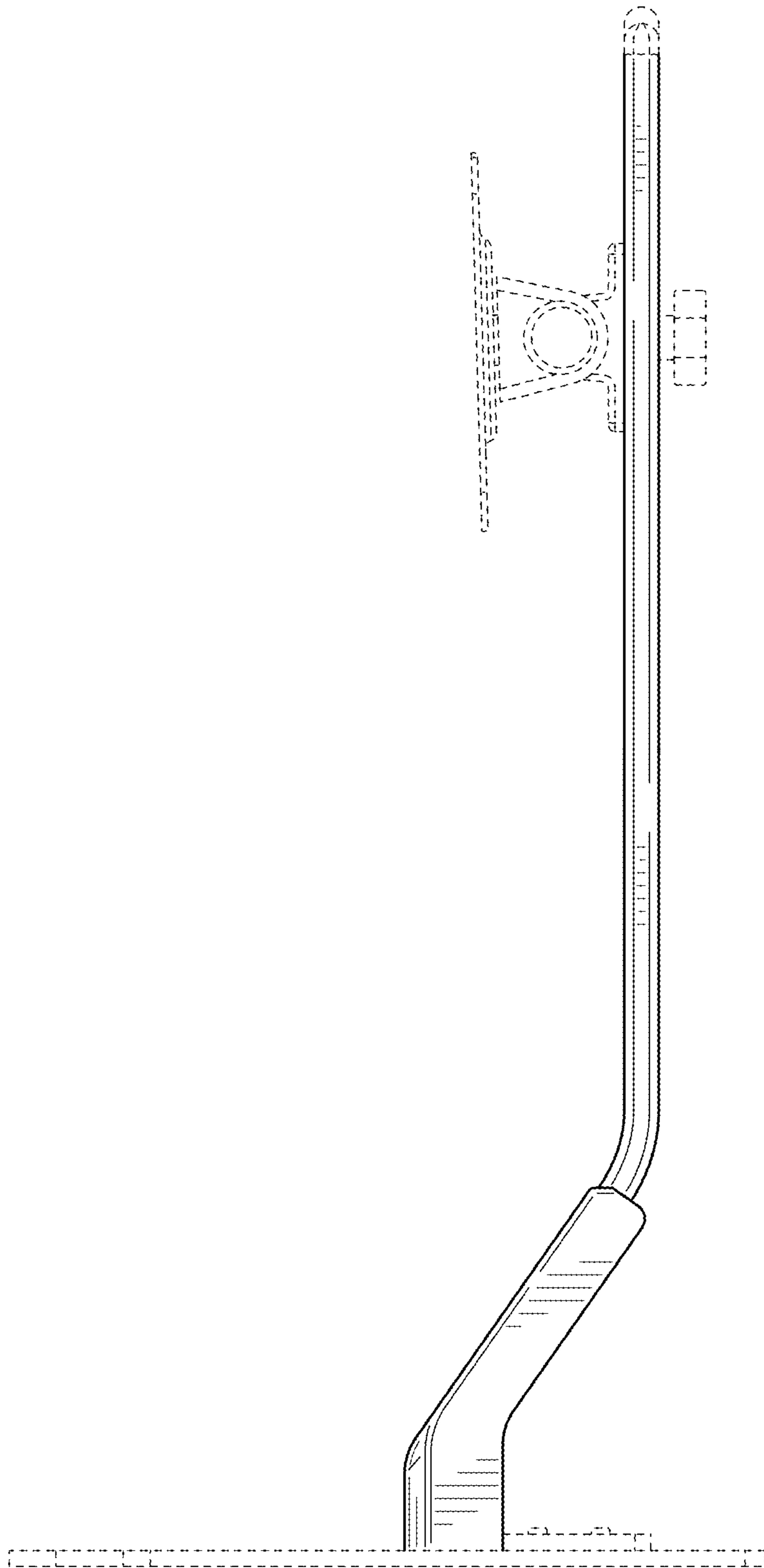


FIG. 4

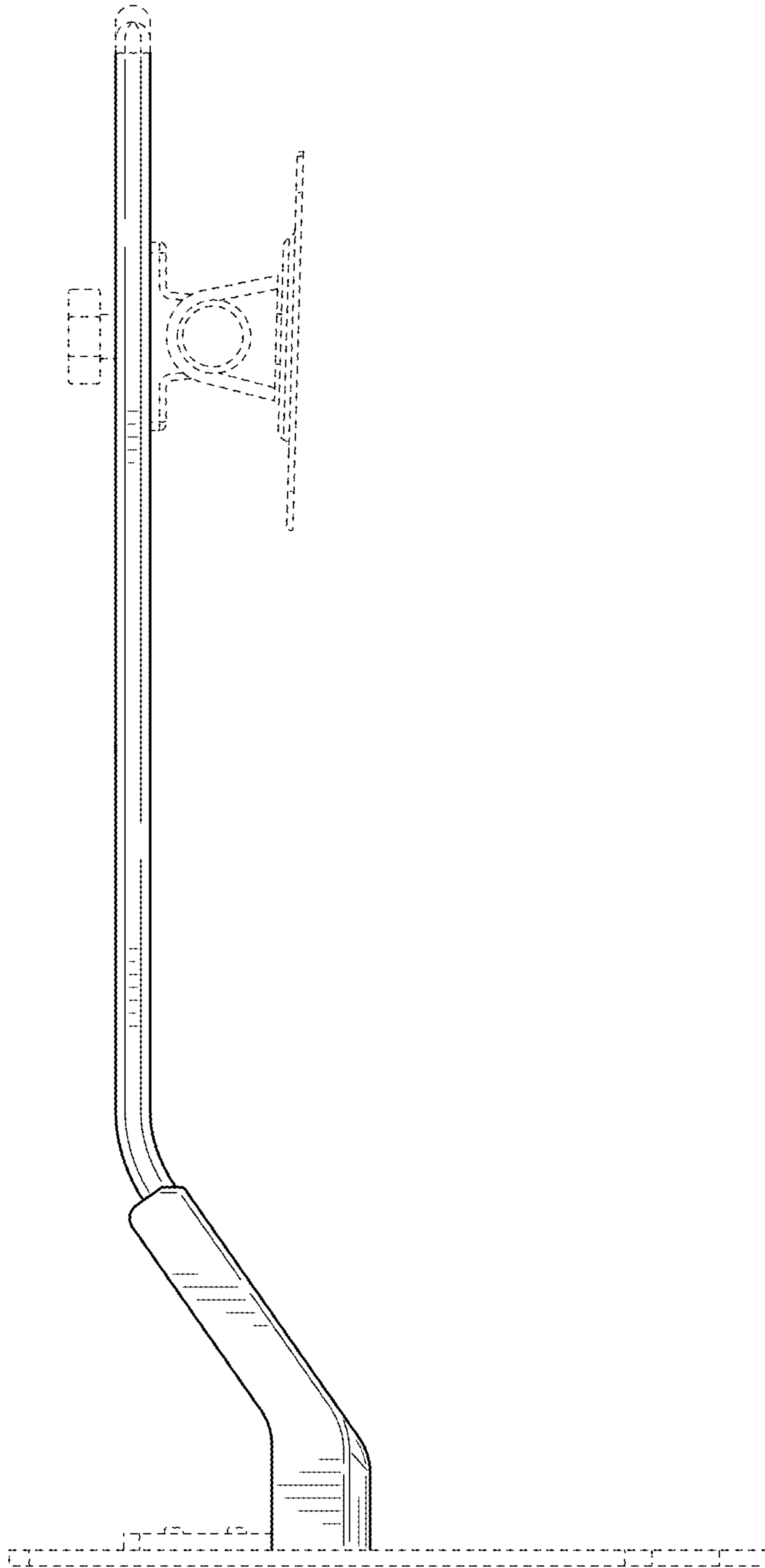


FIG. 5

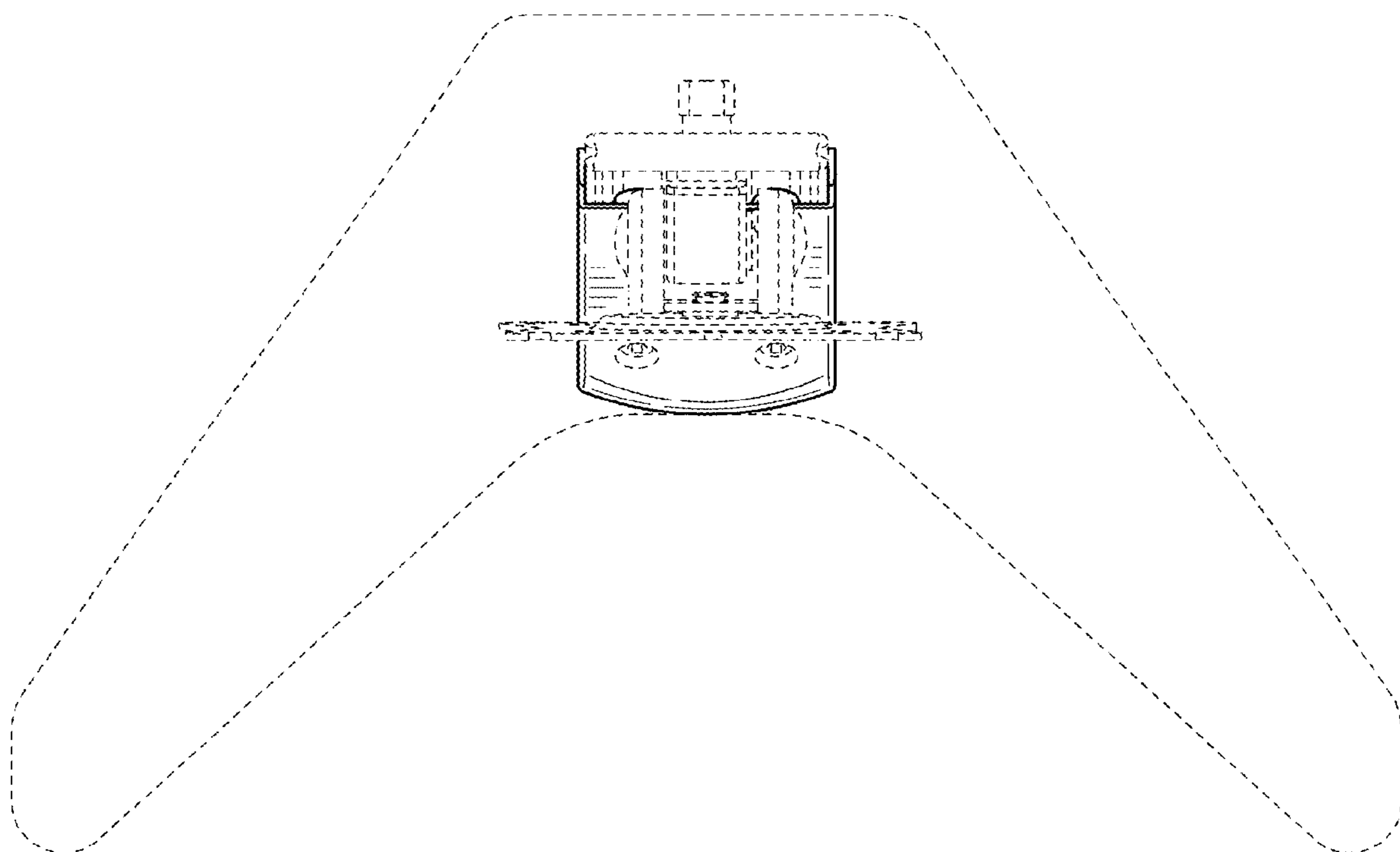


FIG. 6

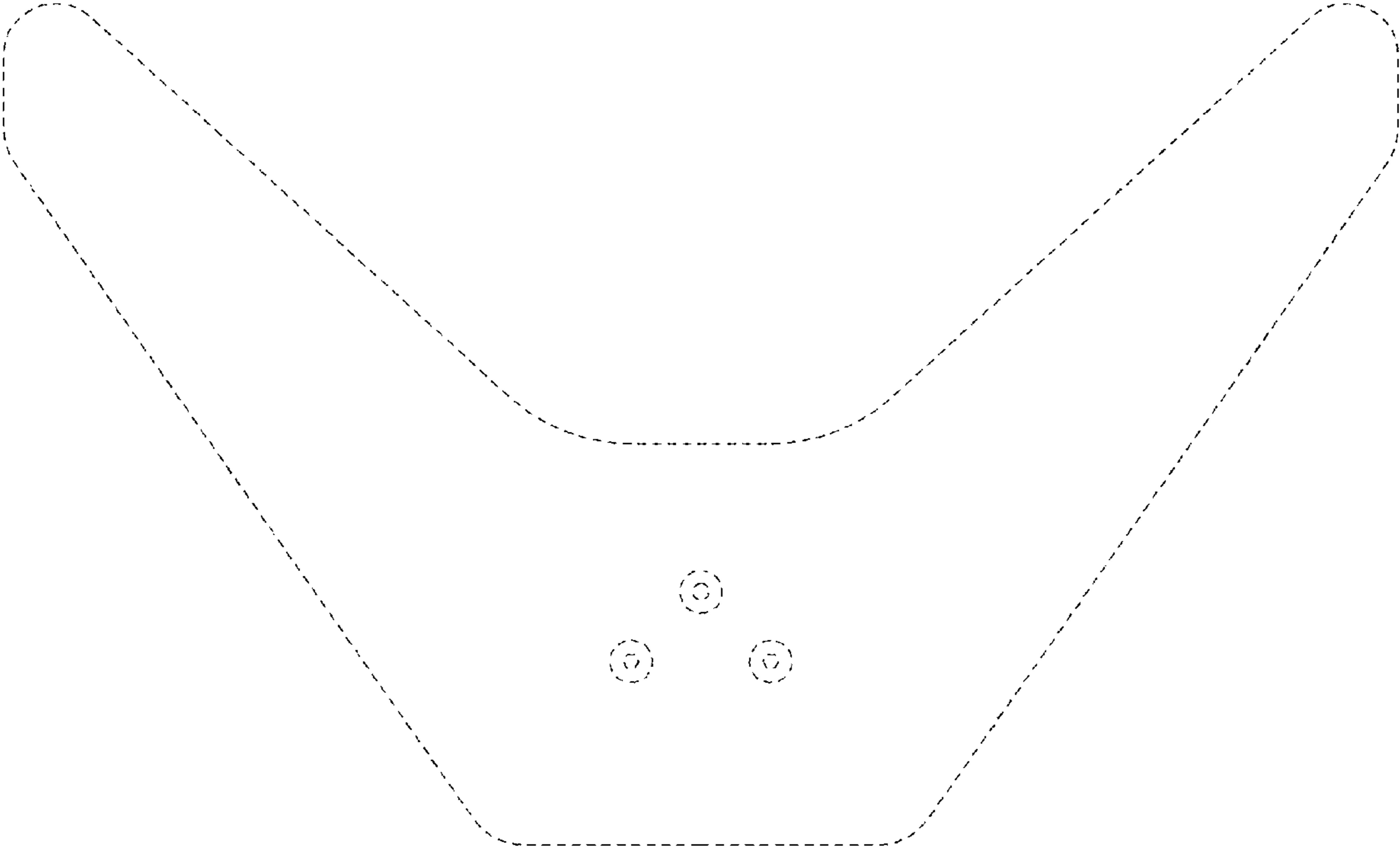


FIG. 7