



US00D895632S

(12) **United States Design Patent** (10) **Patent No.:** **US D895,632 S**  
**Knapp et al.** (45) **Date of Patent:** **\*\* Sep. 8, 2020**

(54) **FREESTANDING DESK STAND**

(71) Applicant: **CKnapp Sales, Inc.**, Goodfield, IL (US)

(72) Inventors: **Chance Knapp**, Goodfield, IL (US);  
**Brandon Meyer**, Normal, IL (US)

(\*\*) Term: **15 Years**

(21) Appl. No.: **29/663,737**

(22) Filed: **Sep. 18, 2018**

(51) **LOC (12) Cl.** ..... **08-07**

(52) **U.S. Cl.**  
USPC ..... **D14/452**

(58) **Field of Classification Search**  
USPC ..... D6/353, 368, 642, 644, 649, 651, 655,  
D6/655.1, 655.11, 655.12, 655.13, 655.14,  
D6/655.15, 655.16, 655.17, 655.18, 655.2,  
D6/655.21, 656, 656.11, 656.13, 656.15,  
D6/656.16, 656.17, 656.19, 657, 663,  
D6/686, 691, 709; D14/446, 447, 451,  
D14/452

CPC ..... A47B 81/00; A47B 88/00; A47B 88/41;  
A47B 88/42; A47B 2210/16; B62B 3/00;  
B60B 33/00

See application file for complete search history.

D649,552 S \* 11/2011 Huang ..... F16M 11/08  
D14/452

D660,308 S \* 5/2012 Huang ..... D14/452

D666,205 S \* 8/2012 Li ..... D14/452

D709,896 S \* 7/2014 McKinstry ..... D14/447

D787,237 S \* 5/2017 Bowman ..... D6/656.15

D787,522 S \* 5/2017 Lee ..... D14/451

D791,776 S \* 7/2017 Monsalve ..... D14/447

D805,523 S \* 12/2017 Bowman ..... D14/452

D812,066 S \* 3/2018 Lazzi ..... D14/447

D822,669 S \* 7/2018 Kwon ..... D14/451

D822,671 S \* 7/2018 Chu ..... D14/452

(Continued)

**OTHER PUBLICATIONS**

Vivo, posted at Amazon.com, posted on Jul. 9, 2018, site visited Feb. 18, 2020. online, available from internet: <https://www.amazon.com/VIVO-Monitor-Freestanding-Adjustable-STAND-V003FG/dp/B07FCWD6TC> (Year: 2018).\*

(Continued)

*Primary Examiner* — Mary Ann Calabrese  
*Assistant Examiner* — Catherine Ho

(57) **CLAIM**

The ornamental design for a freestanding desk stand, as shown and described.

**DESCRIPTION**

FIG. 1 is a perspective view of a freestanding desk stand, showing our new design;  
FIG. 2 is a front view thereof;  
FIG. 3 is a rear view thereof;  
FIG. 4 is a left-side view thereof;  
FIG. 5 is a right-side view thereof;  
FIG. 6 is a top view thereof; and,  
FIG. 7 is a bottom view thereof.

The broken line portion of the figure drawings is included to show environment that forms no part of the claimed design.

**1 Claim, 6 Drawing Sheets**

(56) **References Cited**

U.S. PATENT DOCUMENTS

7,264,212 B2 \* 9/2007 Hung ..... F16M 11/10  
248/184.1

D557,125 S \* 12/2007 Worrall ..... D14/452

D558,563 S \* 1/2008 Ciungan ..... D14/452

D558,564 S \* 1/2008 Ciungan ..... D14/452

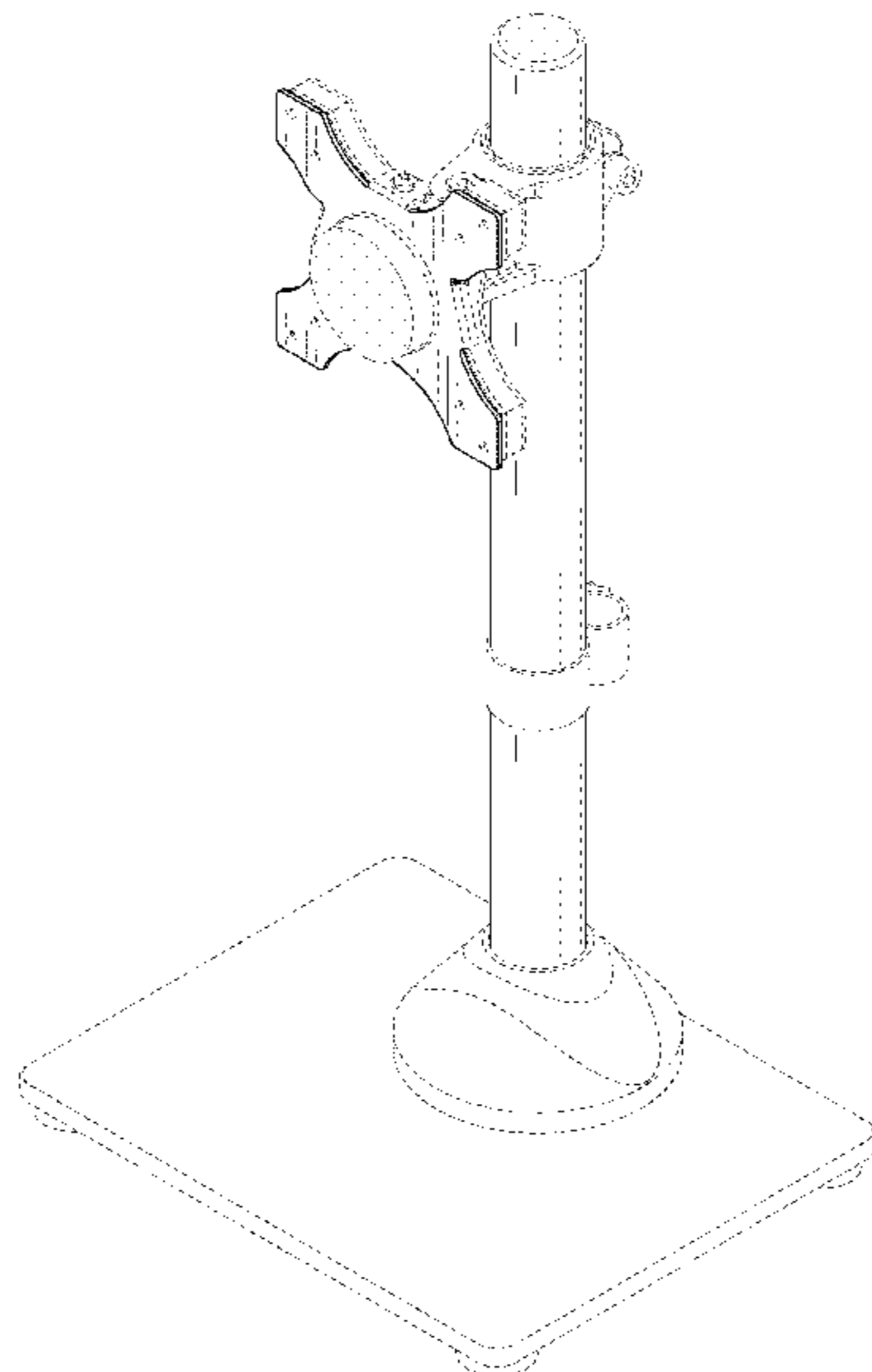
D566,531 S \* 4/2008 Massoumi ..... D14/452

D568,325 S \* 5/2008 Muday ..... D14/452

D568,326 S \* 5/2008 Muday ..... D14/452

D598,458 S \* 8/2009 Li ..... D14/451

D629,808 S \* 12/2010 Sapper ..... D14/452



(56)

**References Cited**

U.S. PATENT DOCUMENTS

D829,023	S	*	9/2018	Gu	.....	D6/656.15
D837,223	S	*	1/2019	Wu	.....	D14/451
D841,014	S	*	2/2019	Laudadio	.....	D14/447
D847,823	S	*	5/2019	Monsalve	.....	D14/452
D852,805	S	*	7/2019	Lyu	.....	D14/452
D853,403	S	*	7/2019	Lyu	.....	D14/451
D853,404	S	*	7/2019	Bowman	.....	D14/452
D854,861	S	*	7/2019	Lee	.....	D6/656
10,357,103	B2	*	7/2019	Guzman	.....	A47B 13/12
D862,936	S	*	10/2019	Laudadio	.....	D6/656.15
D866,537	S	*	11/2019	Knapp	.....	D14/239
D872,067	S	*	1/2020	Knapp	.....	D14/239
D872,719	S	*	1/2020	Knapp	.....	D14/239

OTHER PUBLICATIONS

Stand-V002C, posted at Youtube.com, posted on Jan. 14, 2016, site visited Feb. 18, 2020. online, available from internet: <https://www.youtube.com/watch?v=xxmZtUvp-es> (Year: 2016).\*

\* cited by examiner

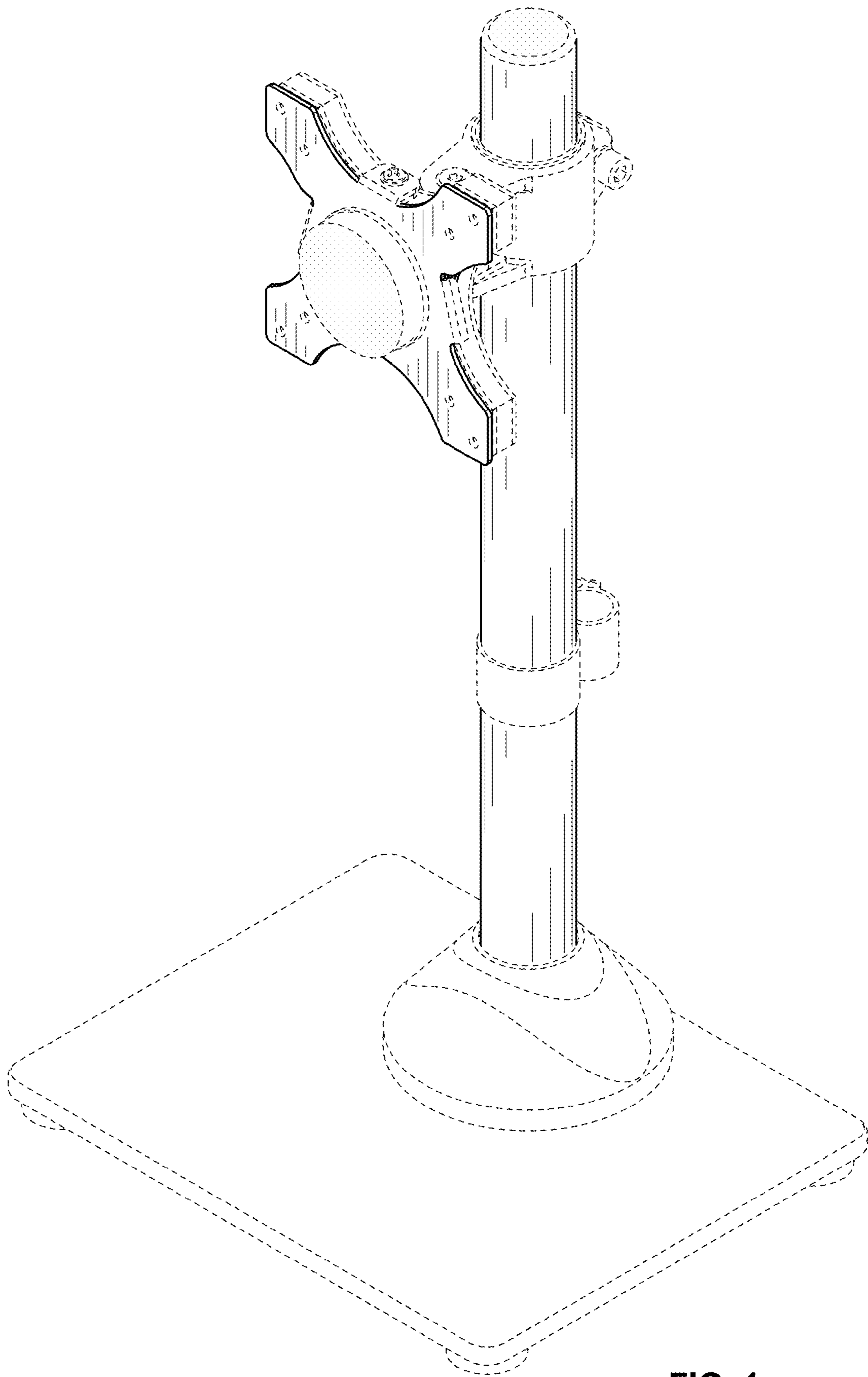


FIG. 1

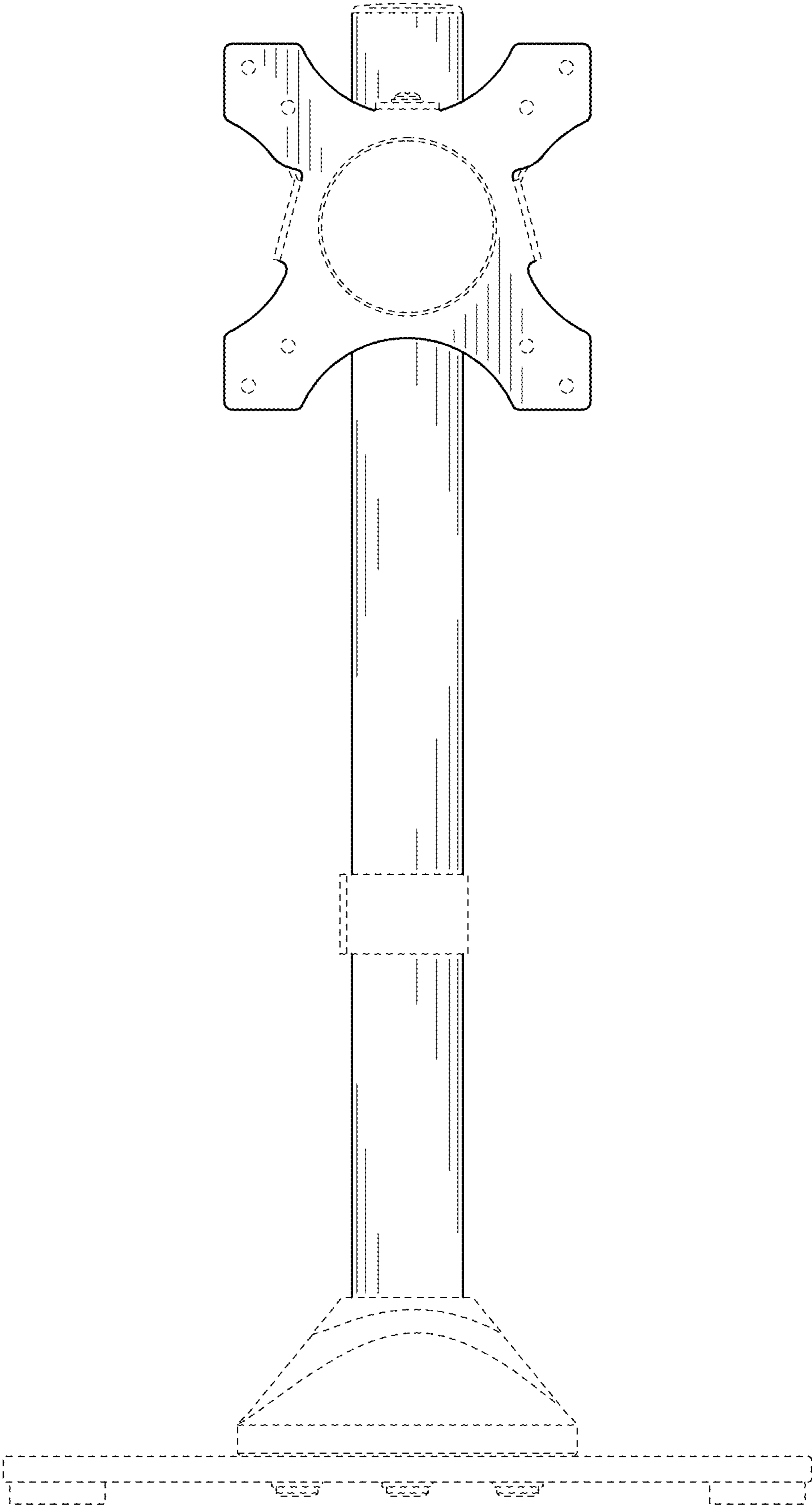


FIG. 2

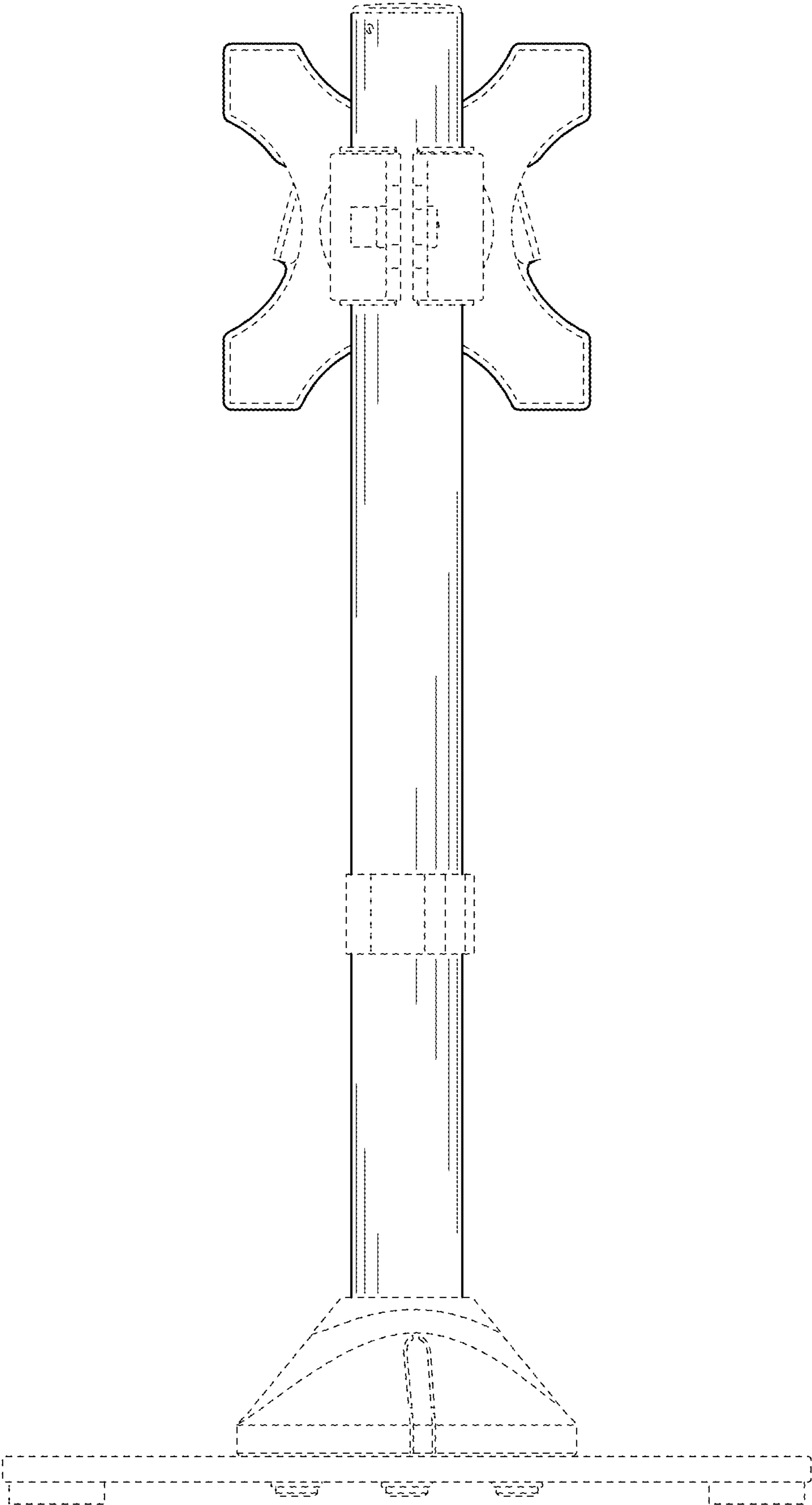


FIG. 3

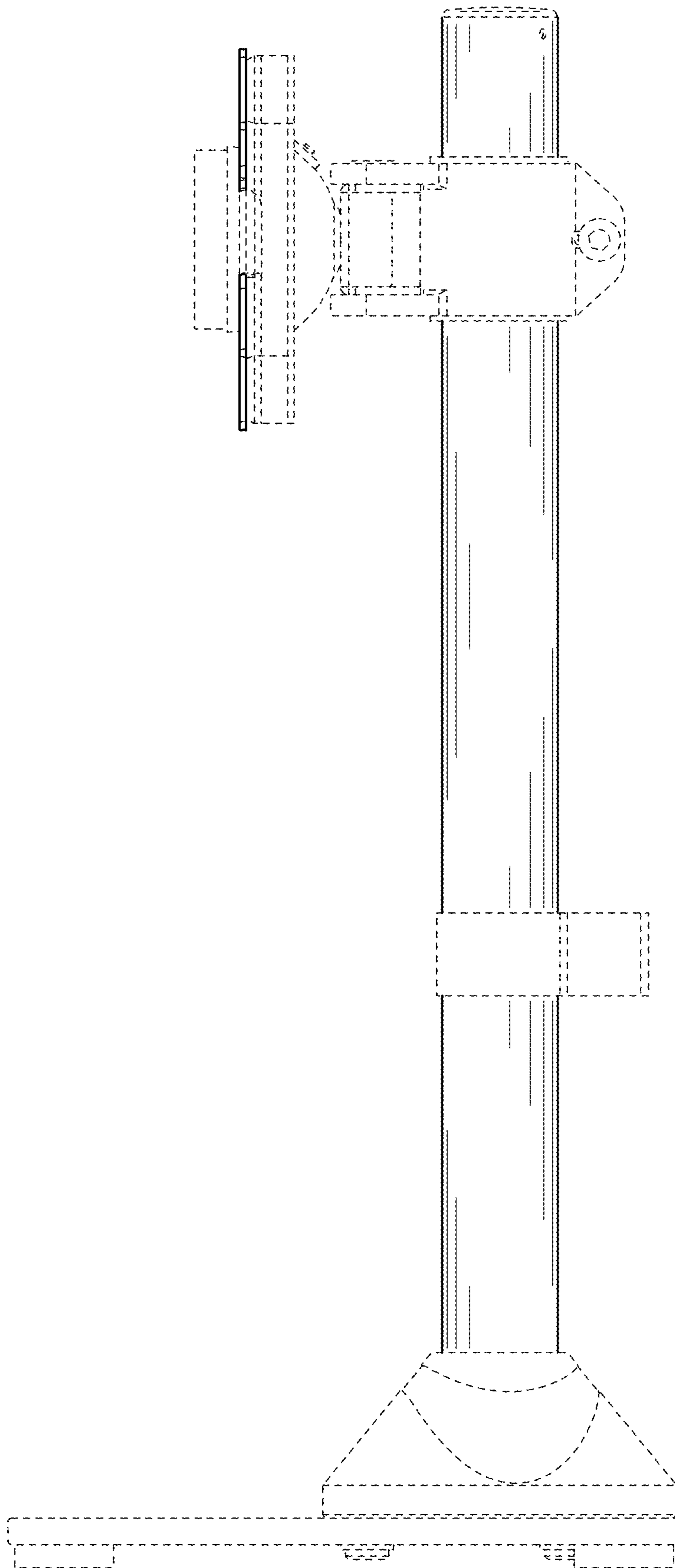


FIG. 4

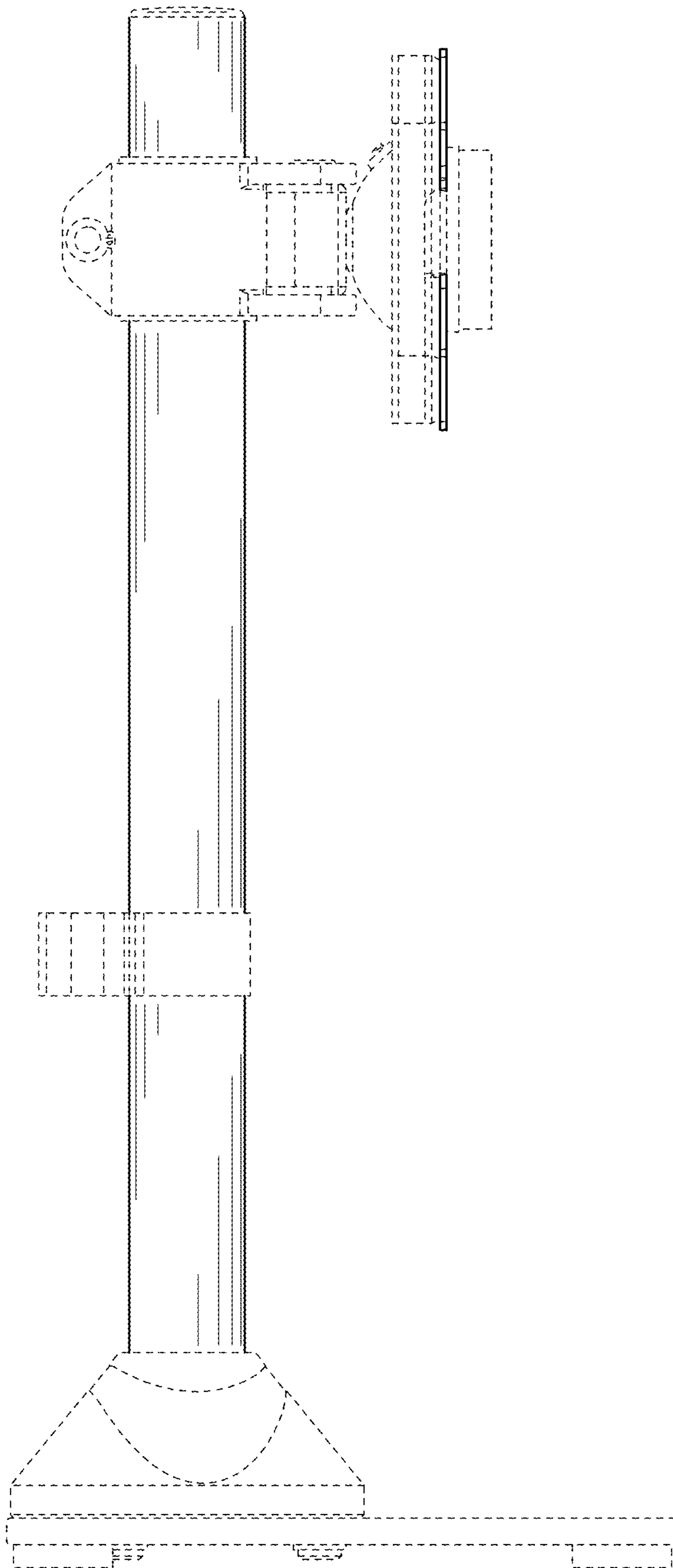


FIG. 5

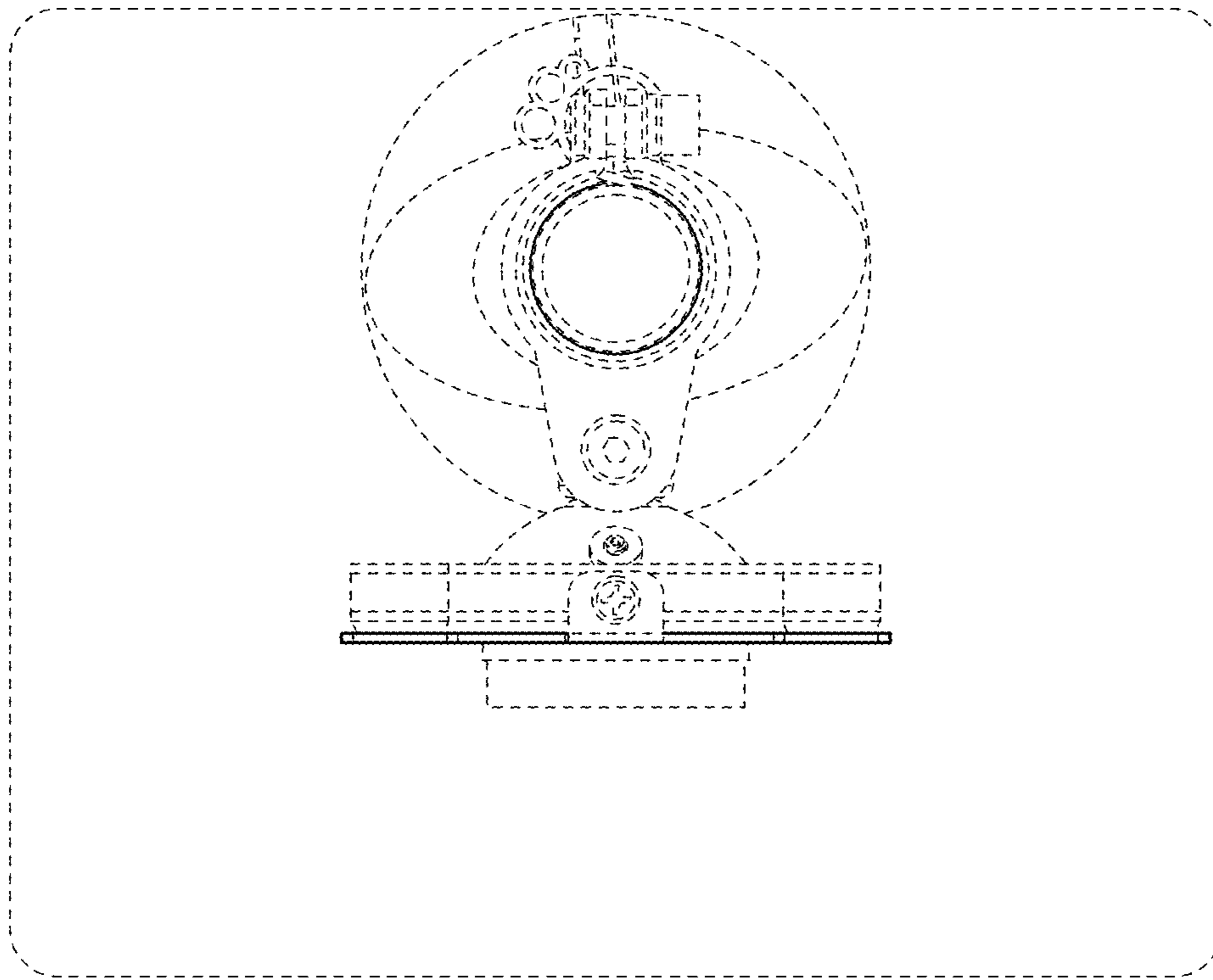


FIG. 6

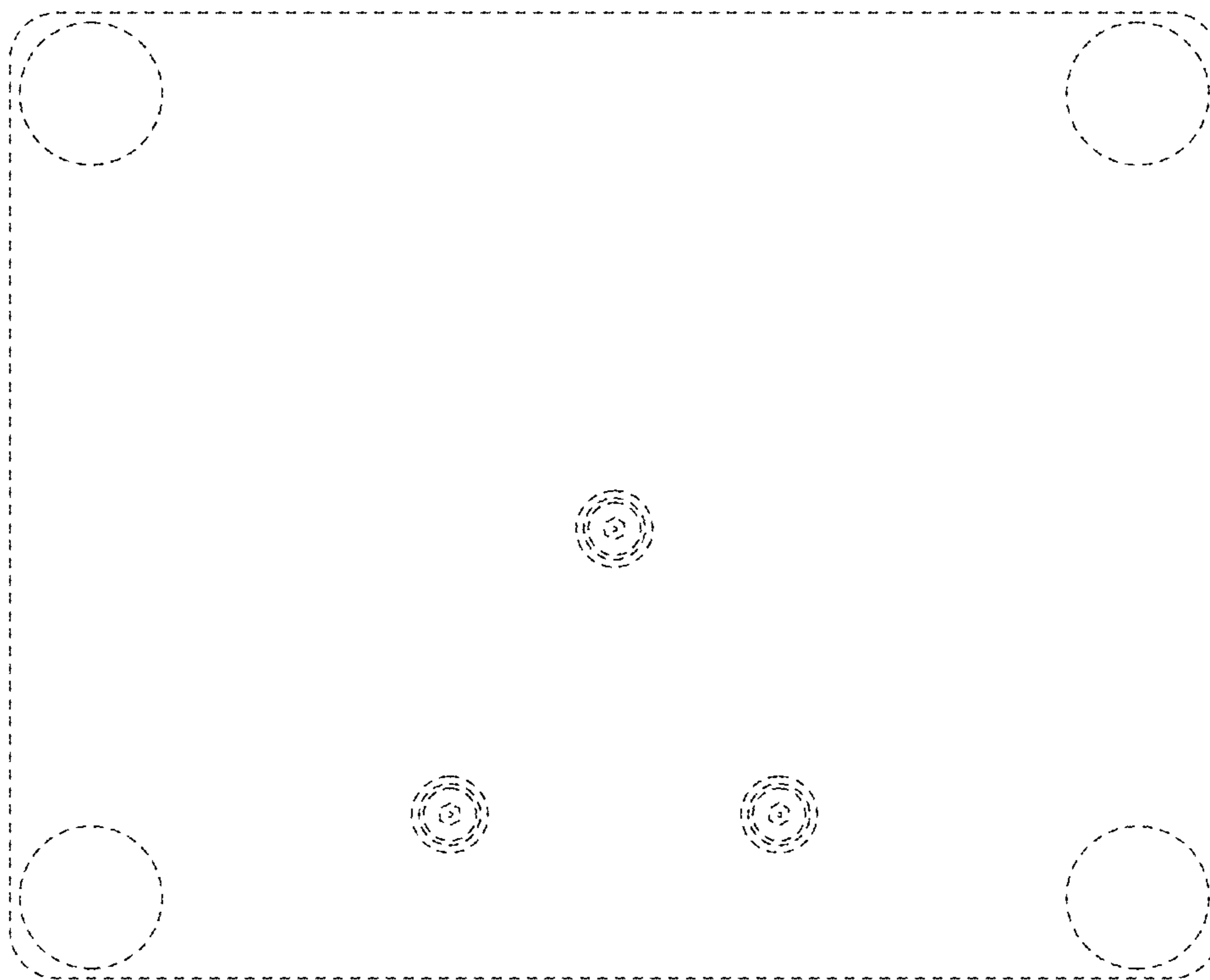


FIG. 7