



US00D895631S

(12) **United States Design Patent** (10) **Patent No.:** **US D895,631 S**
Kanter (45) **Date of Patent:** **** Sep. 8, 2020**

(54) **COMPUTER MONITOR STAND**
 (71) Applicant: **HUMANCENTRIC VENTURES LLC, Skokie, IL (US)**
 (72) Inventor: **Simcha Kanter, Skokie, IL (US)**
 (73) Assignee: **HumanCentric Ventures LLCIL (US)**
 (**) Term: **15 Years**

D567,395 S * 4/2008 Bishop D25/65
 D587,664 S * 3/2009 Cometti D14/126
 D600,929 S * 9/2009 Kemnitzer D6/353
 D651,214 S * 12/2011 Yoo D14/448
 D703,213 S * 4/2014 Gifford D14/447
 D717,289 S * 11/2014 Takabatake D14/252
 9,192,813 B2 * 11/2015 Ross A63B 23/0458
 D753,642 S * 4/2016 Iimuro D14/253
 D785,956 S * 5/2017 Stricklin D6/349
 D800,136 S * 10/2017 Chen
 D811,784 S * 3/2018 Sartain D6/684

(21) Appl. No.: **29/706,988**
 (22) Filed: **Sep. 25, 2019**
 (51) **LOC (12) Cl.** **14-02**
 (52) **U.S. Cl.**
 USPC **D14/451**
 (58) **Field of Classification Search**
 USPC D14/224, 239, 251, 253, 316, 375, 376,
 D14/432, 439, 447, 451, 452, 457;
 D6/396, 444, 449, 510, 511, 513, 655,
 D6/675, 675.1, 691.9; D34/38; D8/349,
 D8/355, 363, 373, 380; 108/51.3;
 248/121, 124.1, 127, 201, 205.1, 313,
 248/415, 917-24; 312/223.3; 211/134,
 211/151; D19/87
 CPC G06F 3/0412; G06F 3/016; G06F 3/0488;
 G06F 3/011; G06F 3/038; G06F 3/03543;
 G06F 3/0338; G06F 3/0202; G06F
 3/0219; G06F 3/0213; G06F 1/1616;
 G06F 3/023; G06F 3/04883; G02F
 1/13338; G09G 3/3648
 See application file for complete search history.

OTHER PUBLICATIONS

Grovemade walnut computer stand (2014) archived at <https://web.archive.org/web/20140628234325/http://grovemade.com/product/walnut-monitor-stand/?initial=64>.

* cited by examiner

Primary Examiner — Katie Jane Stofko

(57) **CLAIM**

The ornamental design for a computer monitor stand, as shown and described.

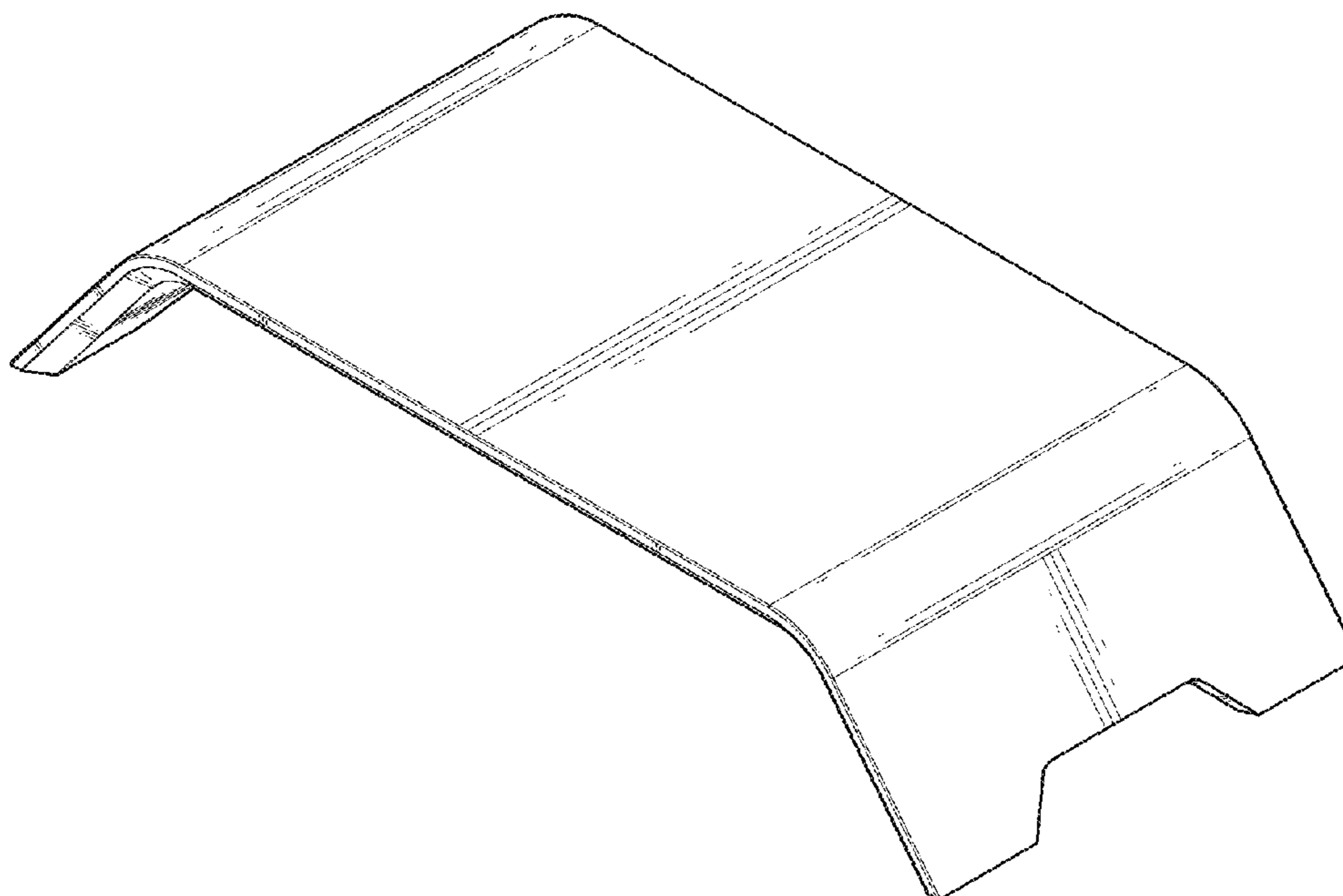
DESCRIPTION

FIG. 1 shows a top perspective view of a computer monitor stand;
 FIG. 2 is a bottom perspective view thereof;
 FIG. 3 is a top plan view thereof;
 FIG. 4 is a bottom plan view thereof;
 FIG. 5 is a front elevation view thereof;
 FIG. 6 is a back elevation view thereof;
 FIG. 7 is a left side elevation view thereof; and,
 FIG. 8 is a right side elevation view thereof.

1 Claim, 8 Drawing Sheets

(56) **References Cited**
 U.S. PATENT DOCUMENTS

D221,072 S * 7/1971 Arenhold D6/349
 6,568,506 B1 * 5/2003 Donnalley A47C 12/02
 108/129



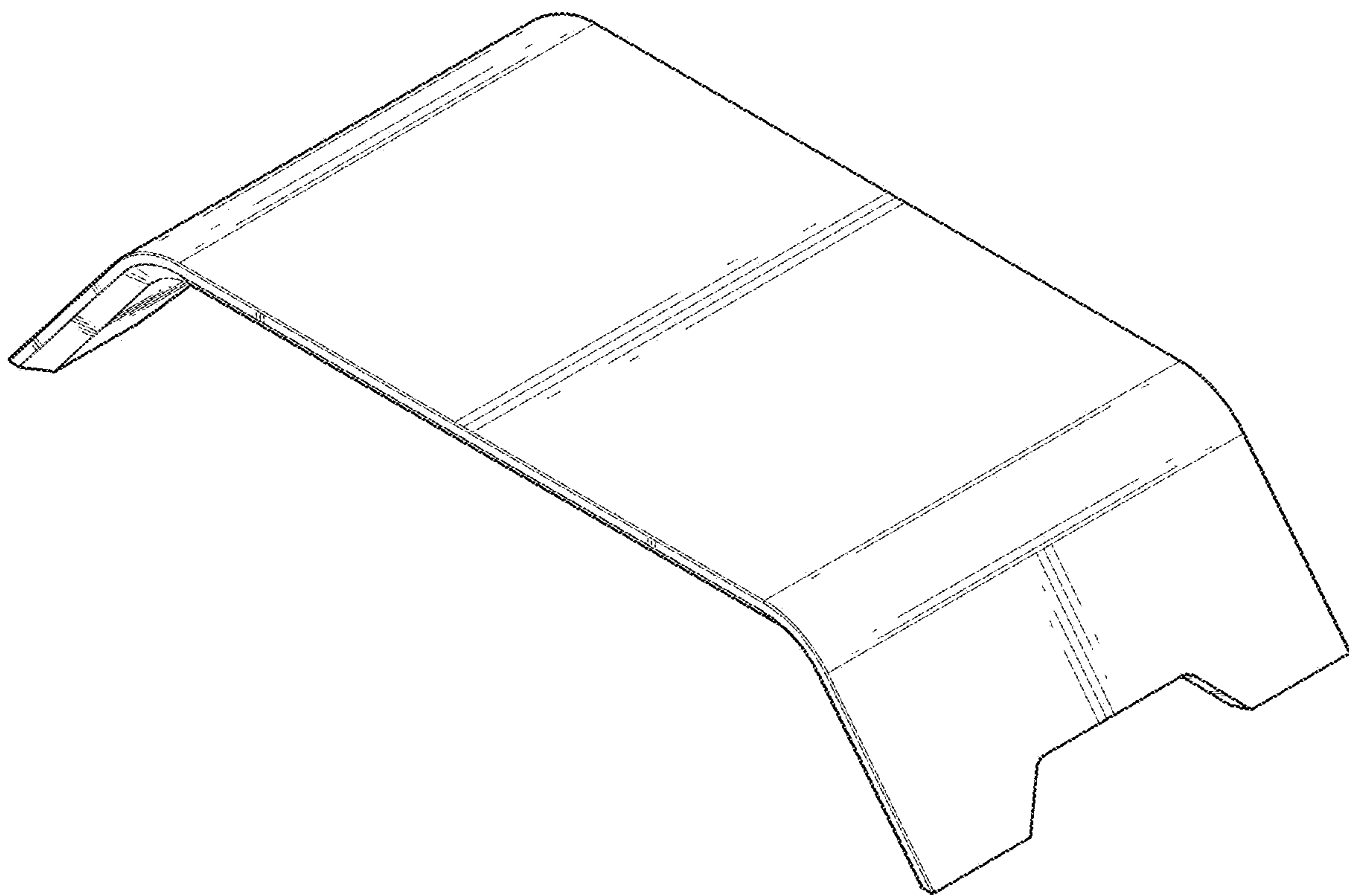


FIG. 1

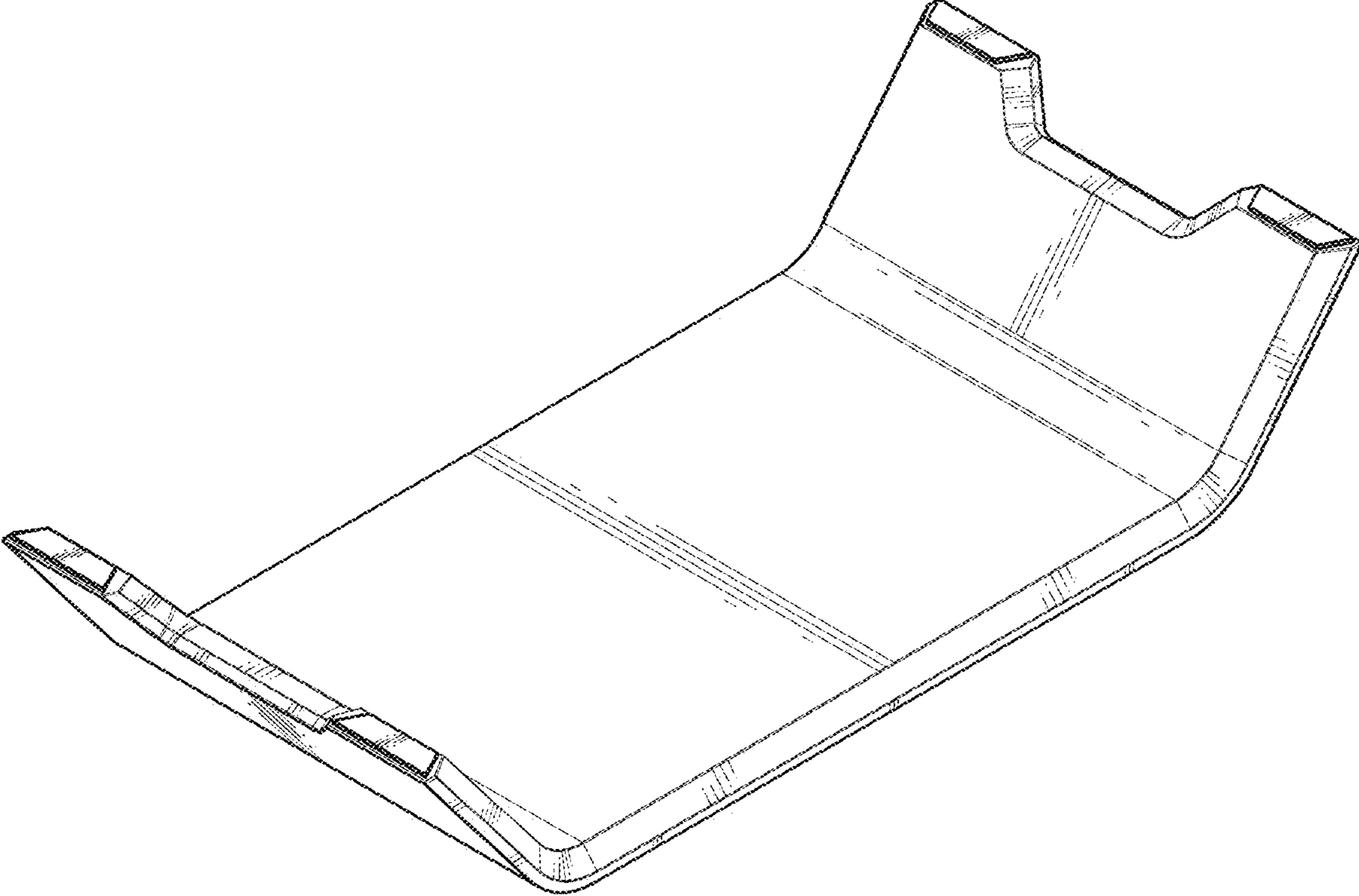


FIG. 2

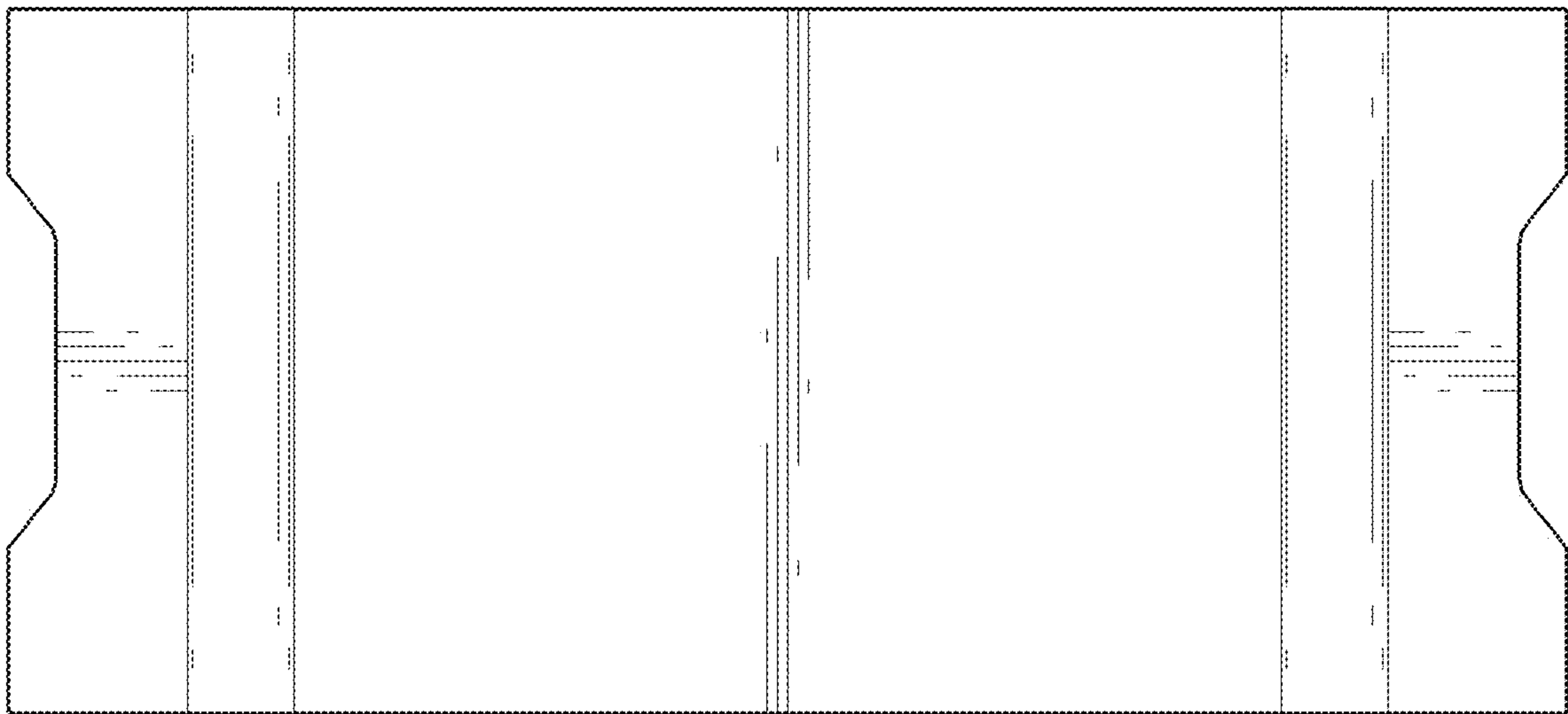


FIG. 3

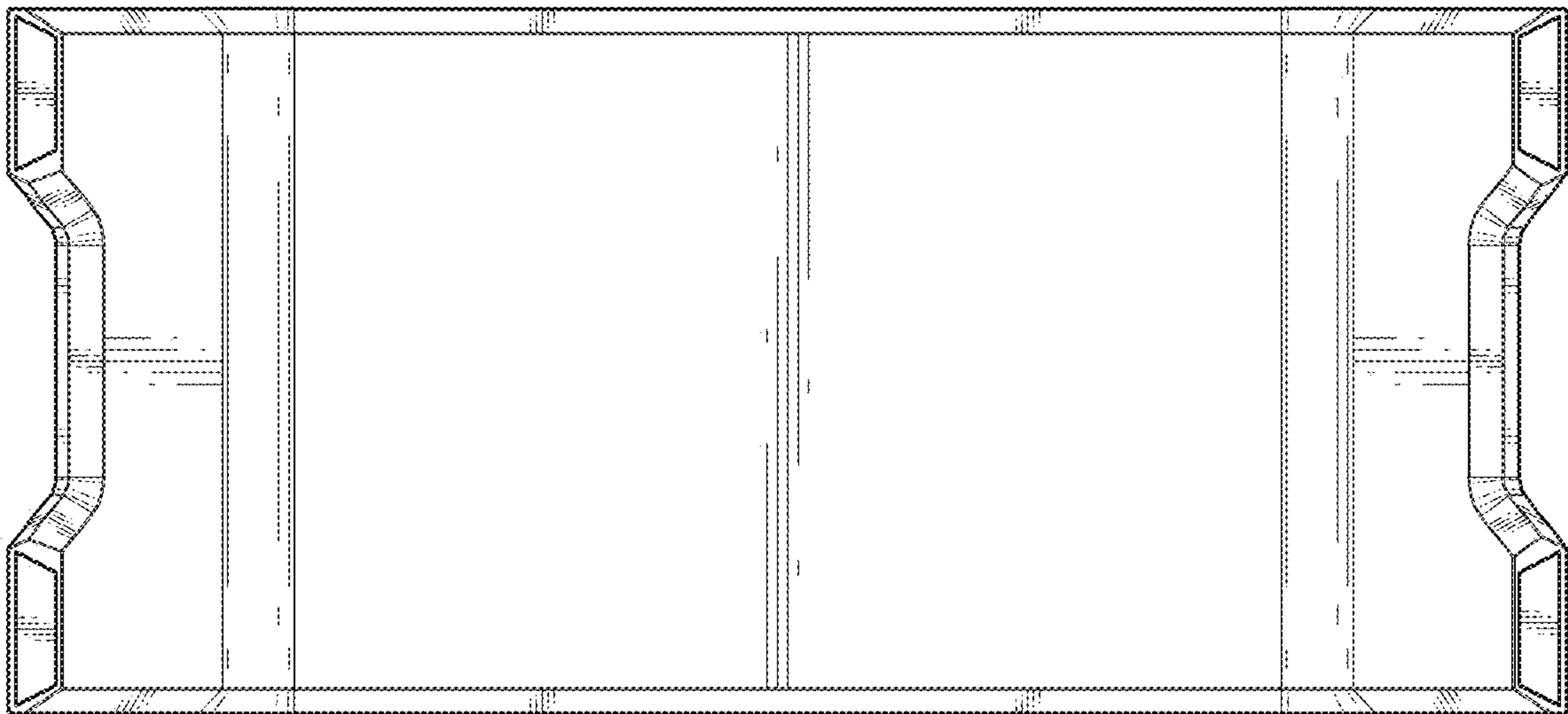


FIG. 4

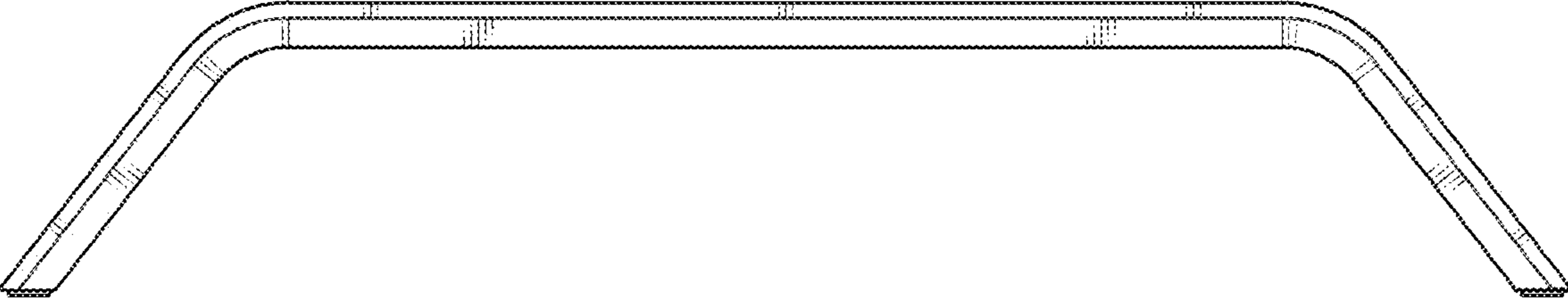


FIG. 5

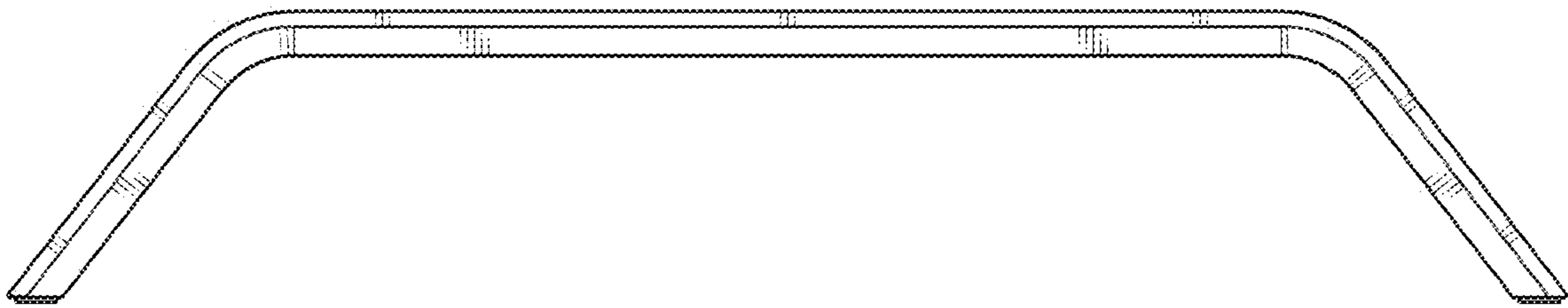


FIG. 6

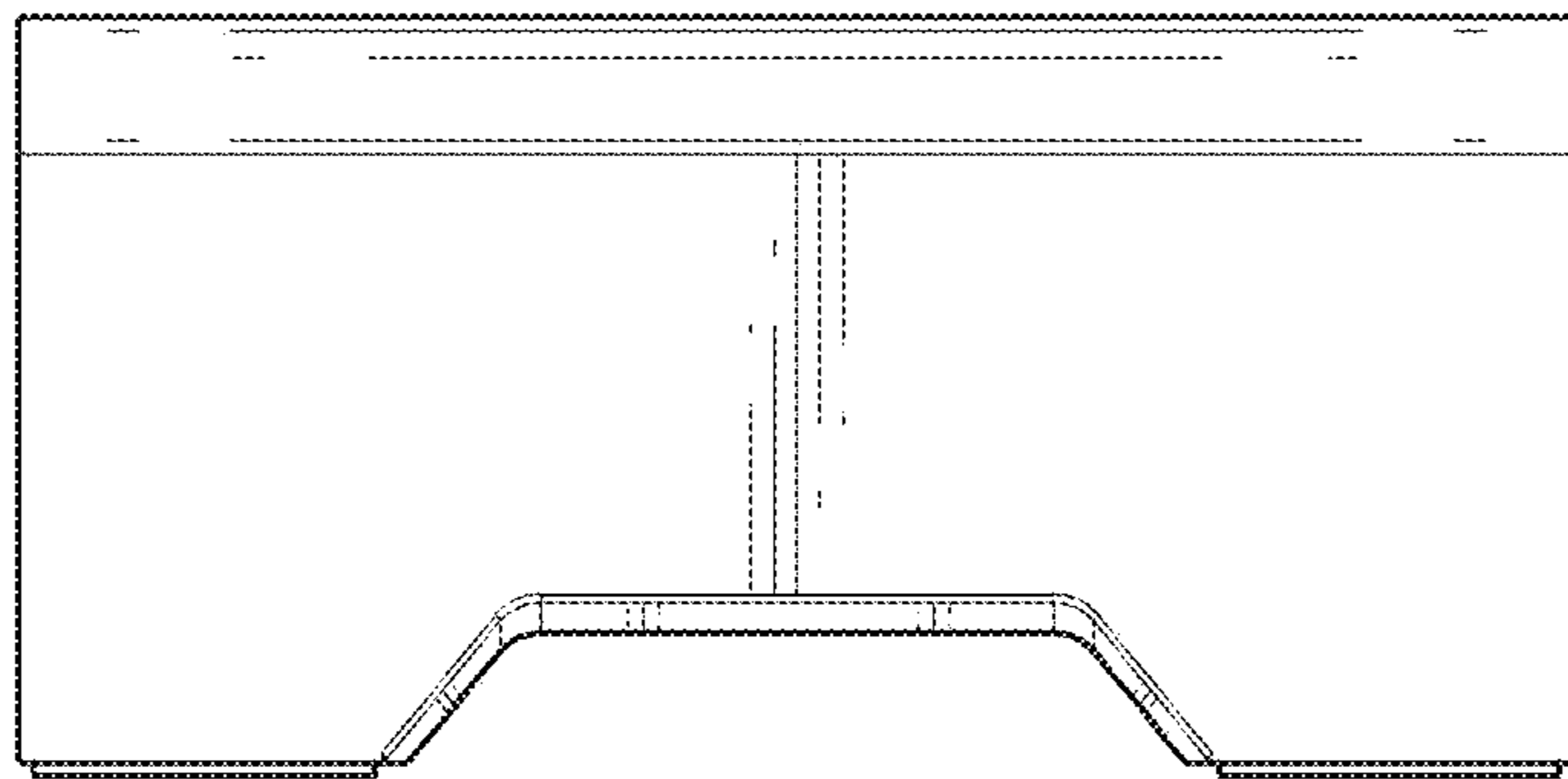


FIG. 7

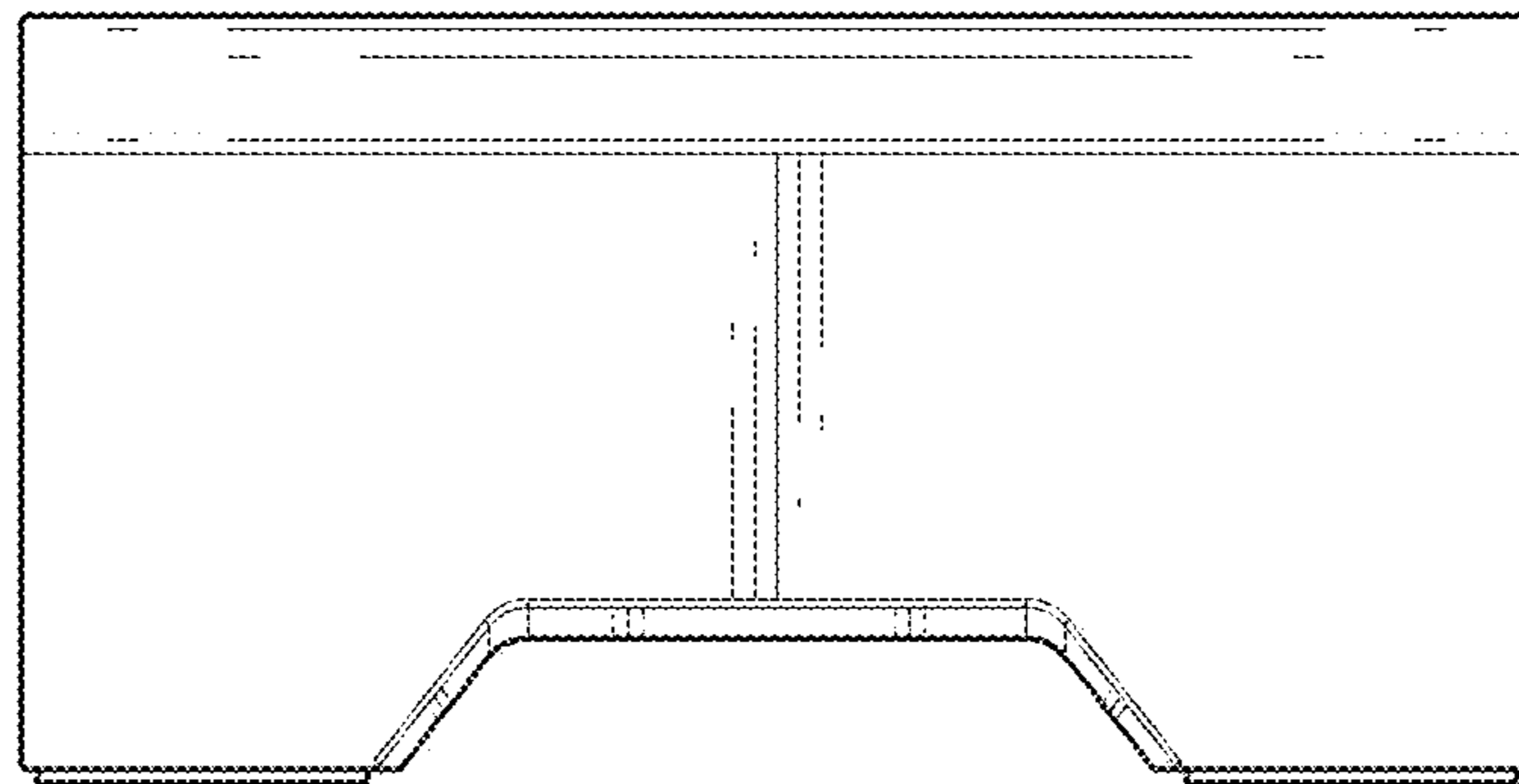


FIG. 8