



US00D895630S

(12) **United States Design Patent** (10) **Patent No.:** **US D895,630 S**  
**Piper et al.** (45) **Date of Patent:** **\*\* Sep. 8, 2020**

(54) **CASE FOR TABLET-SHAPED PORTABLE ELECTRONIC COMPUTING DEVICE**

(71) Applicant: **Pioneer Square Brands, Inc.**, Seattle, WA (US)

(72) Inventors: **Brian Lewis Piper**, Seattle, WA (US); **Michael Cooper Ferren**, Camus, WA (US)

(73) Assignee: **PIONEER SQUARE BRANDS, INC.**, McLean, VA (US)

(\*\*) Term: **15 Years**

(21) Appl. No.: **29/735,367**

(22) Filed: **May 20, 2020**

(51) **LOC (12) Cl.** ..... **14-02**

(52) **U.S. Cl.**  
USPC ..... **D14/440**

(58) **Field of Classification Search**  
USPC ..... D14/440, 447, 250; 206/45.23, 320, 206/45.2; 361/679.55; 294/25; 224/218  
CPC .... G06F 1/1628; G06F 1/1626; G06F 1/1679; A47B 23/044; H04B 1/3888; A45C 11/00  
See application file for complete search history.

(56) **References Cited**

U.S. PATENT DOCUMENTS

D658,187 S	4/2012	Diebel	
D691,142 S	10/2013	Diebel	
D691,143 S	10/2013	Diebel	
D691,611 S	10/2013	Kirzinger	
D696,257 S *	12/2013	Ward	D14/440
D721,081 S	1/2015	Hirst	
D723,041 S	2/2015	Kim	
D727,332 S	4/2015	Hirsch	
D727,915 S	4/2015	Mecchella et al.	
D728,579 S	5/2015	Mecchella et al.	

D729,810 S	5/2015	Kluisener	
D734,340 S	7/2015	Kim et al.	
D749,078 S	2/2016	Bertrand et al.	
D754,133 S *	4/2016	Chen	D14/440
D761,263 S *	7/2016	Brinkman	D14/440
D764,472 S	8/2016	Corcoran et al.	
D765,086 S	8/2016	Lee et al.	
D769,880 S	10/2016	Moore et al.	
D799,491 S	10/2017	Barnard et al.	
D805,519 S	12/2017	Diebel et al.	
D808,393 S	1/2018	Moore et al.	
D815,093 S	4/2018	Long	
D817,334 S	5/2018	Fenton et al.	
D829,721 S *	10/2018	Zhang	D14/440
D831,658 S	10/2018	Brown et al.	
D832,268 S	10/2018	Mecchella et al.	
D834,026 S *	11/2018	Moore	D14/440
D837,794 S	1/2019	Chan et al.	
D837,796 S	1/2019	Kim et al.	
D839,275 S	1/2019	Moore et al.	

(Continued)

*Primary Examiner* — Cynthia R Underwood

(74) *Attorney, Agent, or Firm* — Grandview Law

(57) **CLAIM**

The ornamental design for a case for tablet-shaped portable electronic computing device, as shown and described.

**DESCRIPTION**

FIG. 1 is a top perspective view of a case for tablet-shaped portable electronic computing device showing our new design;

FIG. 2 is a top plan view thereof;

FIG. 3 is a bottom plan view thereof;

FIG. 4 is a front elevation view thereof;

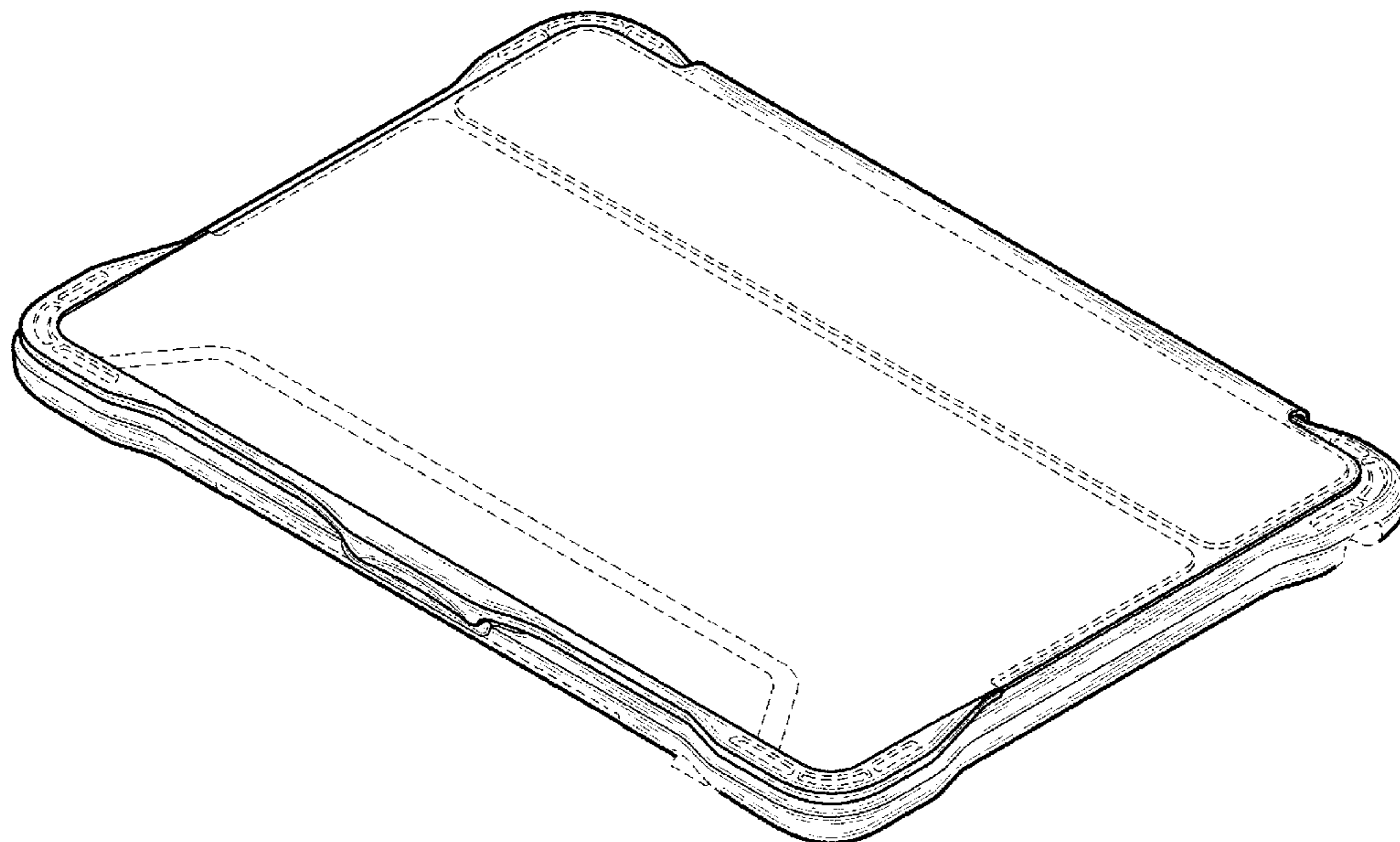
FIG. 5 is a rear elevational view thereof;

FIG. 6 is a right elevational view thereof; and,

FIG. 7 is a left elevational view thereof.

The features shown in broken lines in the drawing figures depict features that form no part of the claimed design.

**1 Claim, 4 Drawing Sheets**



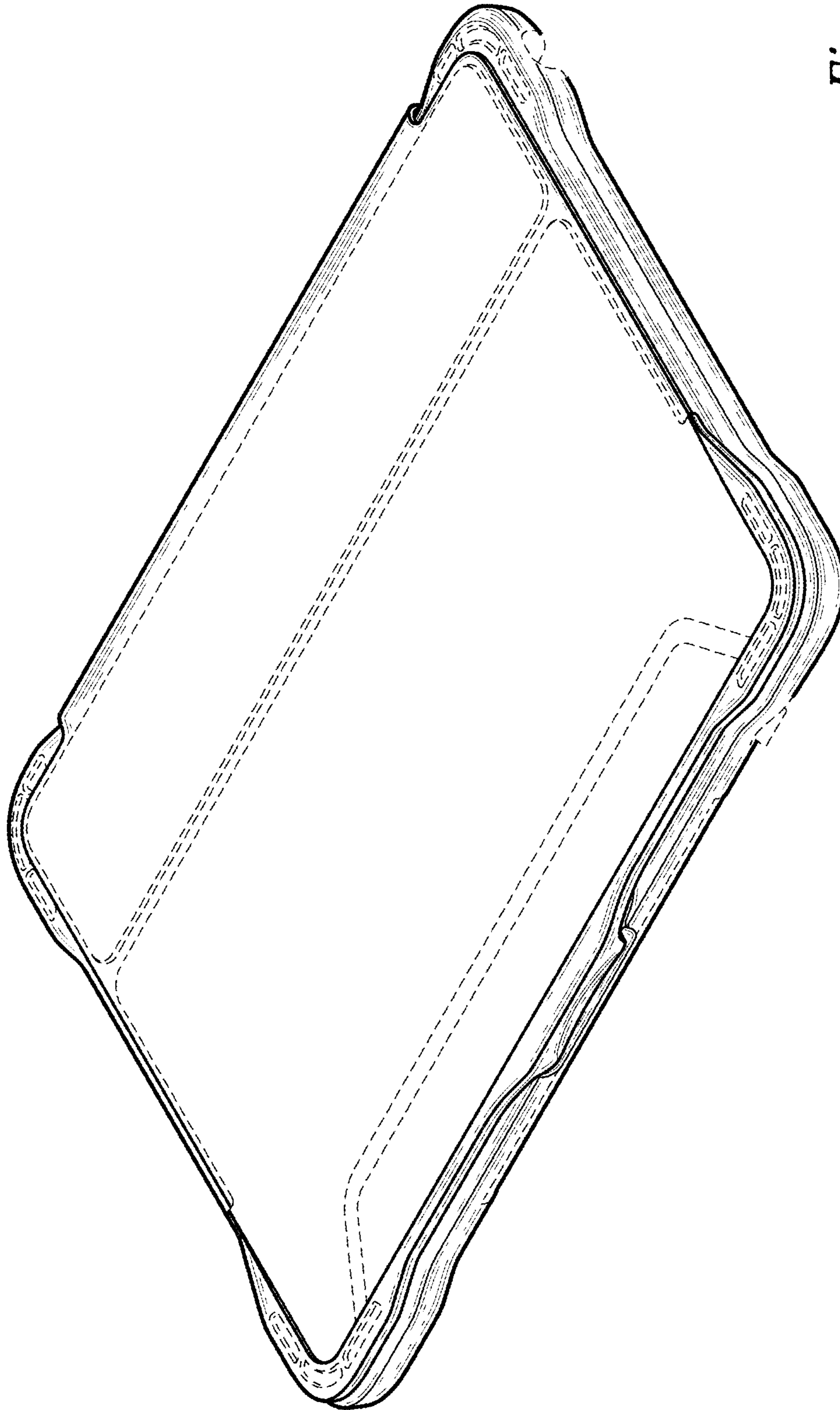
(56)

**References Cited**

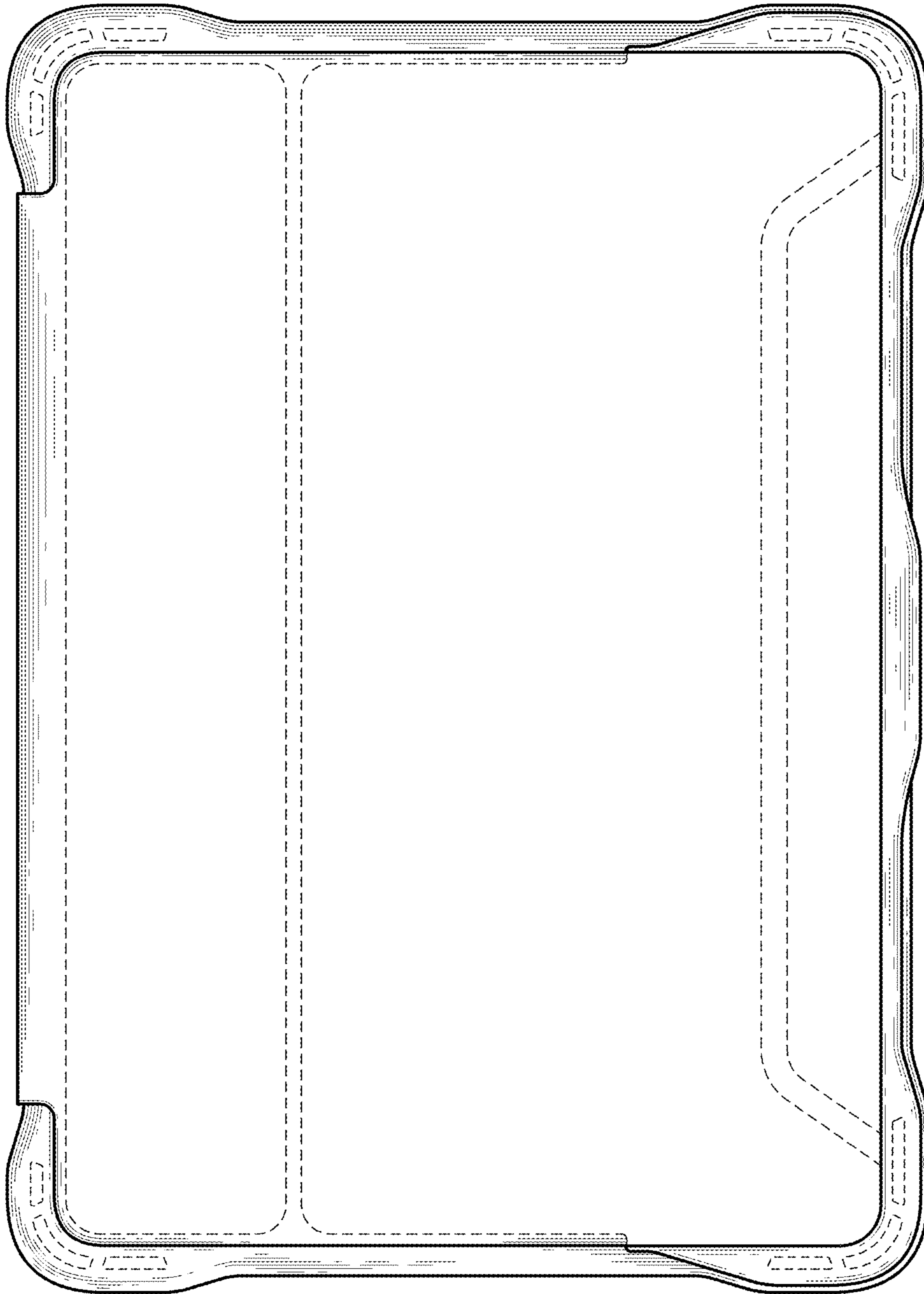
U.S. PATENT DOCUMENTS

D841,012	S	2/2019	Kim et al.	
D841,013	S	2/2019	Ferren et al.	
D845,956	S	4/2019	Moore et al.	
D847,819	S	5/2019	Mecchella et al.	
D848,440	S	5/2019	Mecchella et al.	
D848,441	S	5/2019	Ferren et al.	
D850,454	S	6/2019	Kim et al.	
D850,458	S	6/2019	Moore	
D852,199	S	6/2019	Kim et al.	
D852,200	S	6/2019	Chan et al.	
D852,201	S	6/2019	Chan et al.	
D864,210	S	7/2019	Chan et al.	
D857,023	S	8/2019	Hyun	
D860,999	S *	9/2019	Kim .....	D14/440
D861,698	S	10/2019	Fenton et al.	
D862,480	S	10/2019	Chan et al.	
D863,314	S	10/2019	Chan et al.	
D863,315	S	10/2019	Chan et al.	
D863,316	S	10/2019	Chan et al.	
D863,317	S	10/2019	Piper et al.	
D874,467	S	2/2020	Piper et al.	
D877,509	S *	3/2020	Kilkenny .....	D3/294
D881,895	S	4/2020	Liu	
D888,063	S *	6/2020	Chan .....	D14/440
10,700,483	B1 *	6/2020	Piper .....	H01R 31/06
D890,764	S *	7/2020	Yang .....	D14/440
2012/0043236	A1 *	2/2012	Szucs .....	A45F 5/021 206/320

\* cited by examiner



*Fig. 1*



*Fig. 2*

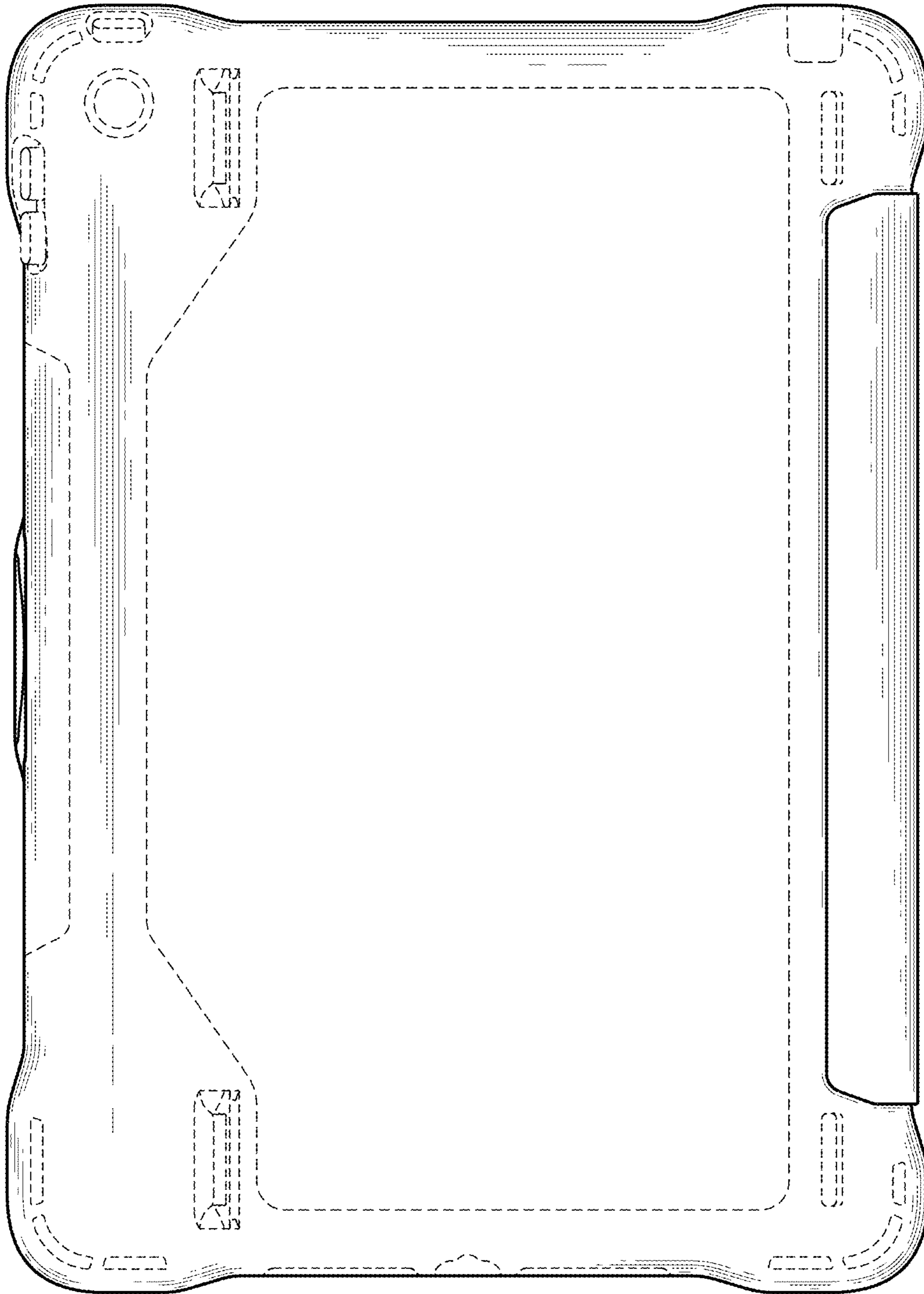


Fig. 3

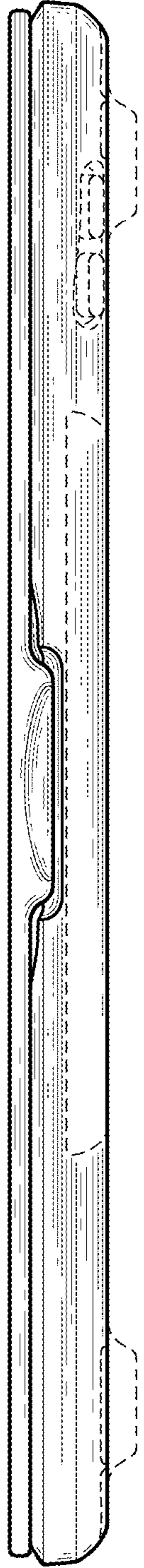


Fig. 4

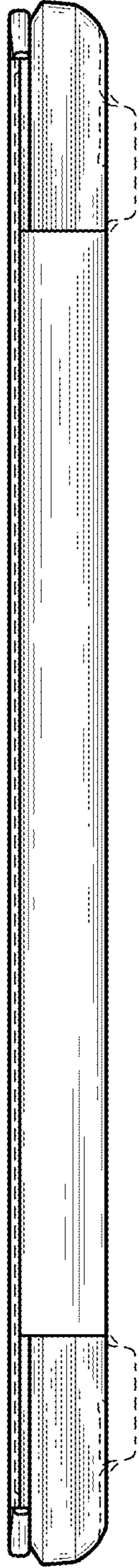


Fig. 5

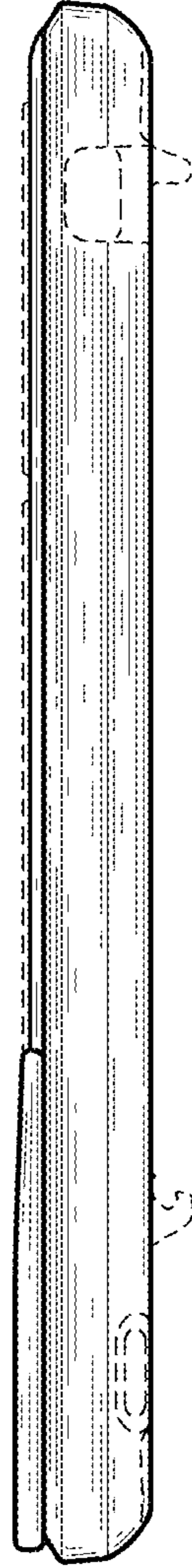


Fig. 6

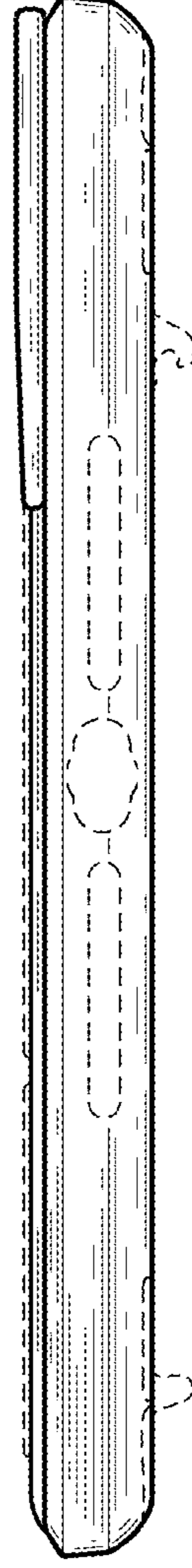


Fig. 7