



US00D895629S

(12) **United States Design Patent** (10) **Patent No.:** **US D895,629 S**
Li (45) **Date of Patent:** **** Sep. 8, 2020**

(54) **TABLET CASE**
(71) Applicant: **SHENZHEN BAISHANCHUAN TECHNOLOGY CO., LTD**, Shenzhen (CN)
(72) Inventor: **Jinxiong Li**, Shenzhen (CN)
(73) Assignee: **SHENZHEN BAISHANCHUAN TECHNOLOGY CO., LTD**, Shenzhen (CN)

(**) Term: **15 Years**

(21) Appl. No.: **29/729,225**

(22) Filed: **Mar. 25, 2020**

(51) **LOC (12) Cl.** **14-02**

(52) **U.S. Cl.**
USPC **D14/440**

(58) **Field of Classification Search**
USPC D14/440, 447, 250; 206/45.23, 320, 206/45.2; 361/45.23, 320, 45.2; 294/25; 224/218
CPC G06F 1/1628; G06F 1/1626; G06F 1/1669; A47B 23/044; H04B 1/3888
See application file for complete search history.

(56) **References Cited**

U.S. PATENT DOCUMENTS

D675,625 S *	2/2013	Hasbrook	D14/440
D696,256 S *	12/2013	Piedra	D14/440
D696,669 S *	12/2013	Akana	D14/440
D700,611 S *	3/2014	Boldetti	D14/440
8,766,921 B2 *	7/2014	Ballagas	G09G 5/00 345/168
D729,253 S *	5/2015	Nyholm	D14/440
D733,152 S *	6/2015	Sirichai	D14/440
9,095,194 B2 *	8/2015	Hassett	A45C 11/00
D740,802 S *	10/2015	Hsu	D14/316
D744,489 S *	12/2015	Sirichai	D14/440

9,227,763 B2 *	1/2016	Gengler	B65D 25/00
D748,619 S *	2/2016	Hsu	D14/316
D764,472 S *	8/2016	Corcoran	D14/440
9,451,822 B2 *	9/2016	Gu	A47B 23/044
D768,638 S *	10/2016	Lee	D14/440
D770,457 S *	11/2016	Massucco	D14/440
D772,880 S *	11/2016	Corcoran	D14/440
D779,494 S *	2/2017	Hallier	D14/252
D789,342 S *	6/2017	Sirichai	D14/250
D792,884 S *	7/2017	Nyholm	
D792,887 S *	7/2017	Zhang	D14/440

(Continued)

Primary Examiner — Cynthia R Underwood

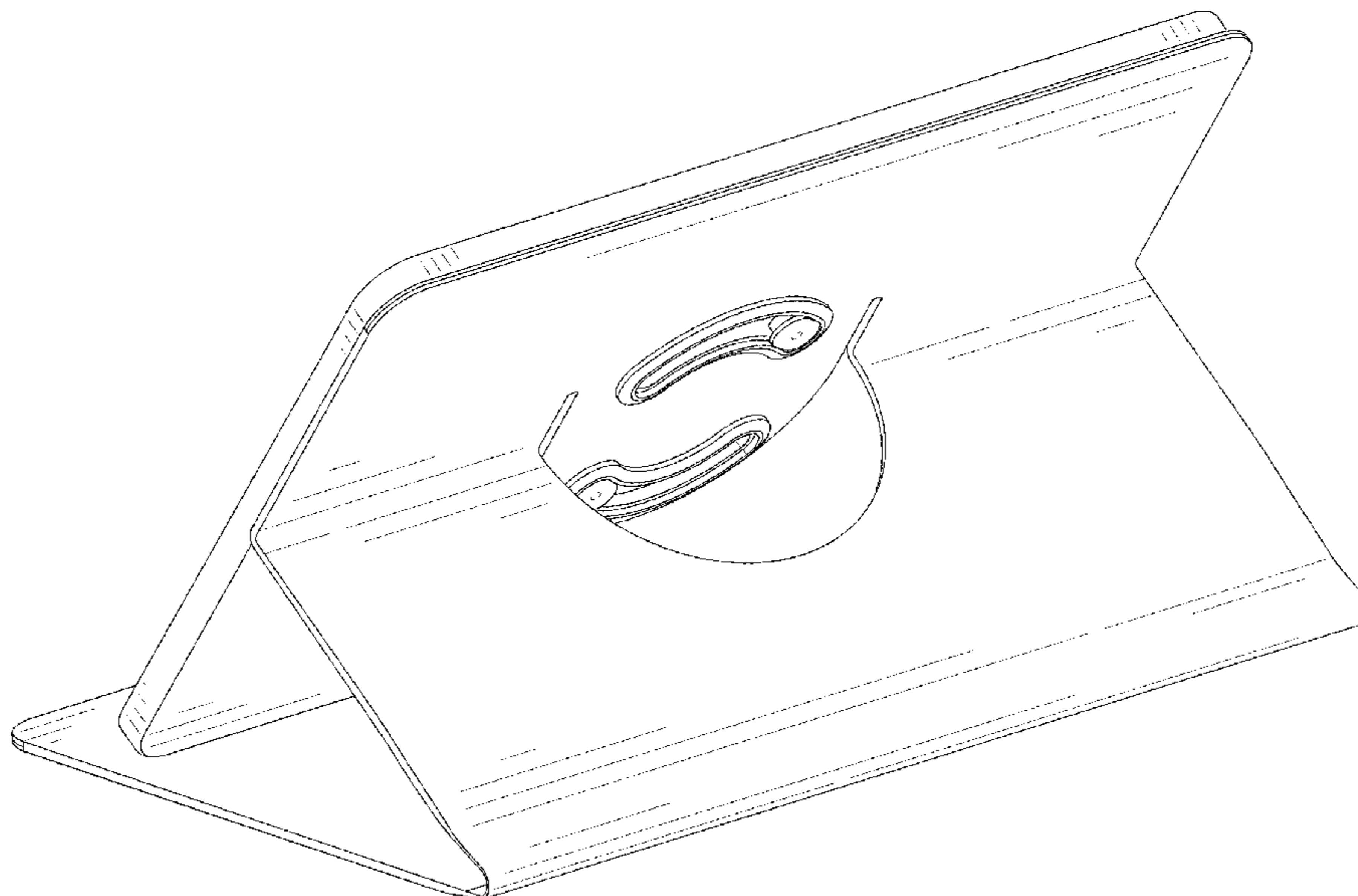
(57) **CLAIM**

The ornamental design for a tablet case, as shown and described.

DESCRIPTION

FIG. 1 is a perspective view of a tablet case showing my new design;
FIG. 2 is another perspective view thereof;
FIG. 3 is a front elevational view thereof;
FIG. 4 is a rear elevational view thereof;
FIG. 5 is a left side elevational view thereof;
FIG. 6 is a right side elevational view thereof;
FIG. 7 is a top plan view thereof;
FIG. 8 is a bottom plan view thereof;
FIG. 9 is a perspective view of a tablet case where the tablet case is in a first configuration of use;
FIG. 10 is a perspective view of the tablet case where the tablet case is in a second configuration of use;
FIG. 11 is an enlarged view of portion 11 shown in FIG. 1; and,
FIG. 12 is an enlarged view of portion 12 shown in FIG. 2.
The short dash-dash-dash broken lines depict boundaries of the claim; the long dash-short dash-long dash broken lines encircle the portions of the claim from which the enlargements were taken and form no part thereof.

1 Claim, 12 Drawing Sheets



(56)

References Cited

U.S. PATENT DOCUMENTS

D807,363 S * 1/2018 Hallier D14/440
 D807,365 S * 1/2018 Liu D14/440
 D807,892 S * 1/2018 Wang D14/440
 D808,394 S * 1/2018 Lakraa D14/440
 D808,395 S * 1/2018 Fenton D14/440
 D811,411 S * 2/2018 Moore D14/440
 D817,962 S * 5/2018 Shao D14/440
 D822,675 S * 7/2018 Zhu D14/455
 D832,852 S * 11/2018 Jinkinson D14/440
 D832,853 S * 11/2018 Jinkinson D14/440
 D832,854 S * 11/2018 Jinkinson D14/440
 D832,856 S * 11/2018 Jinkinson D14/440
 10,349,544 B2 * 7/2019 Katsuyama G06F 1/16
 D861,000 S * 9/2019 Zhao D14/440
 D863,935 S * 10/2019 Aoki G06F 1/1681
 D868,791 S 12/2019 Weng
 D870,116 S 12/2019 Lei
 D890,184 S * 7/2020 Zhu D14/440
 2003/0193773 A1 * 10/2003 Choi G06F 1/162
 361/679.06
 2009/0194209 A1 * 8/2009 De Filippis A45C 11/00
 150/107
 2009/0201254 A1 * 8/2009 Rais G06F 1/1613
 345/168
 2010/0300909 A1 * 12/2010 Hung H04M 1/04
 206/320

2011/0110670 A1 * 5/2011 Atkinson G06F 1/162
 398/135
 2012/0211377 A1 * 8/2012 Sajid G06F 1/1628
 206/216
 2012/0293938 A1 * 11/2012 Dai G06F 1/1622
 361/679.07
 2013/0015088 A1 * 1/2013 Wu A45C 11/00
 206/320
 2013/0214661 A1 * 8/2013 McBroom G06F 1/1667
 312/325
 2013/0264459 A1 * 10/2013 McCosh G06F 1/1626
 248/688
 2014/0029189 A1 * 1/2014 Chang G06F 1/1662
 361/679.11
 2014/0083883 A1 * 3/2014 Elias G06F 1/1626
 206/320
 2014/0211393 A1 * 7/2014 Lee G06F 1/1626
 361/679.12
 2014/0218855 A1 * 8/2014 Fujino G06F 1/1681
 361/679.12
 2015/0293601 A1 * 10/2015 Gu G06F 3/0202
 345/168
 2015/0296060 A1 * 10/2015 Gu H04M 1/0235
 455/575.4
 2015/0296068 A1 * 10/2015 Chin G06F 1/1628
 455/575.8
 2016/0011628 A1 * 1/2016 Sato G06F 1/1656
 361/679.3
 2016/0187937 A1 * 6/2016 Ahee G06F 1/1681
 361/679.09

* cited by examiner

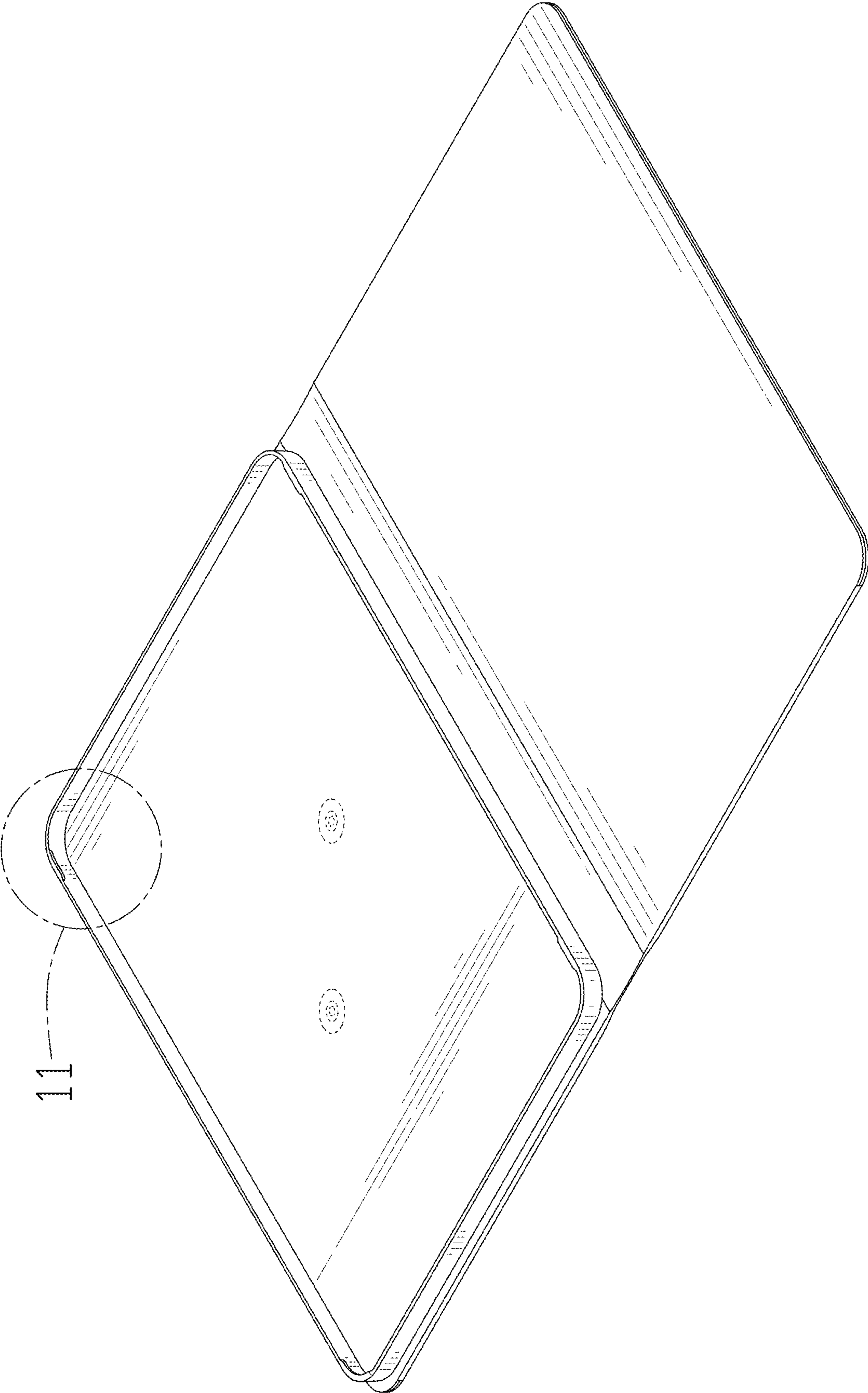


FIG. 1

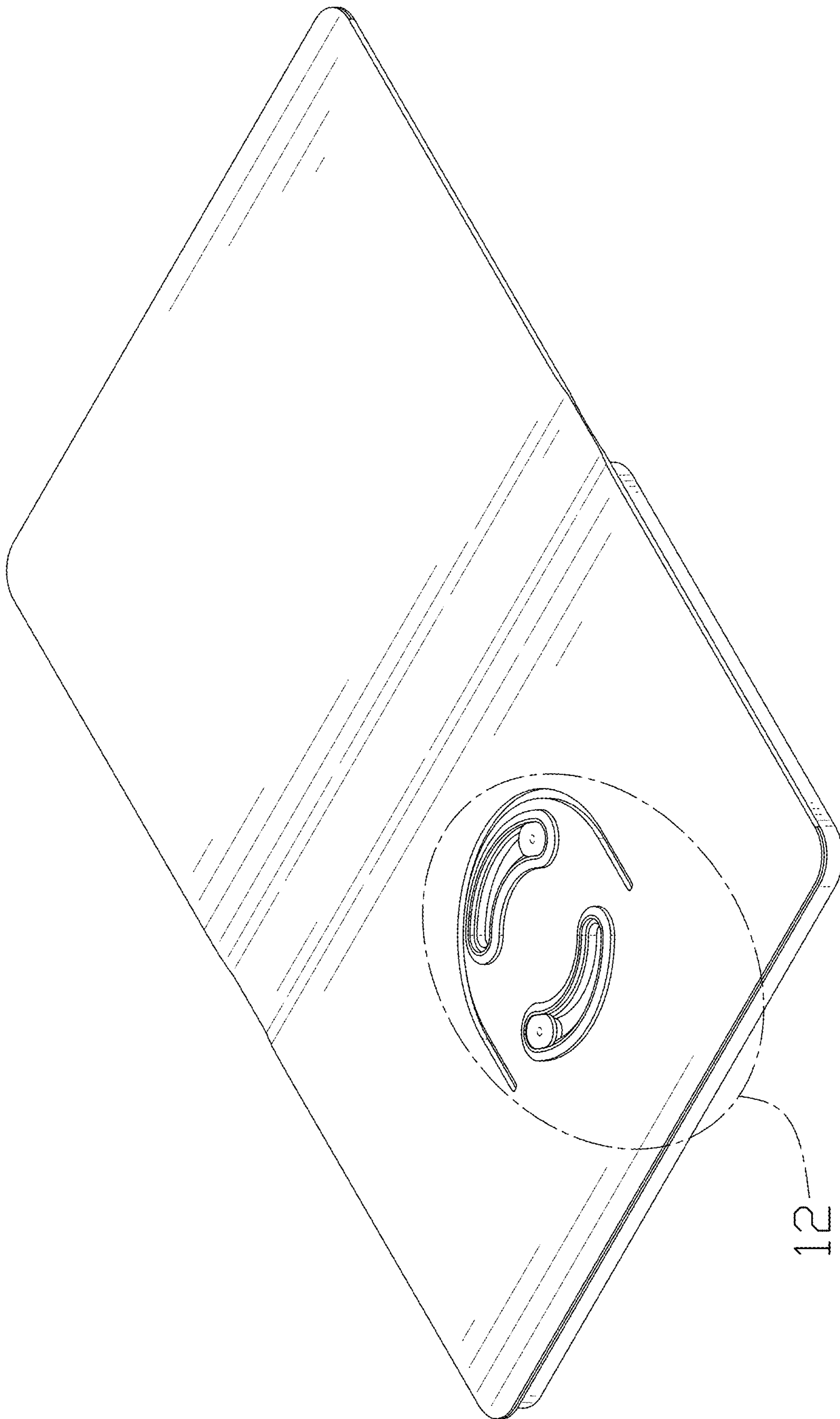


FIG. 2

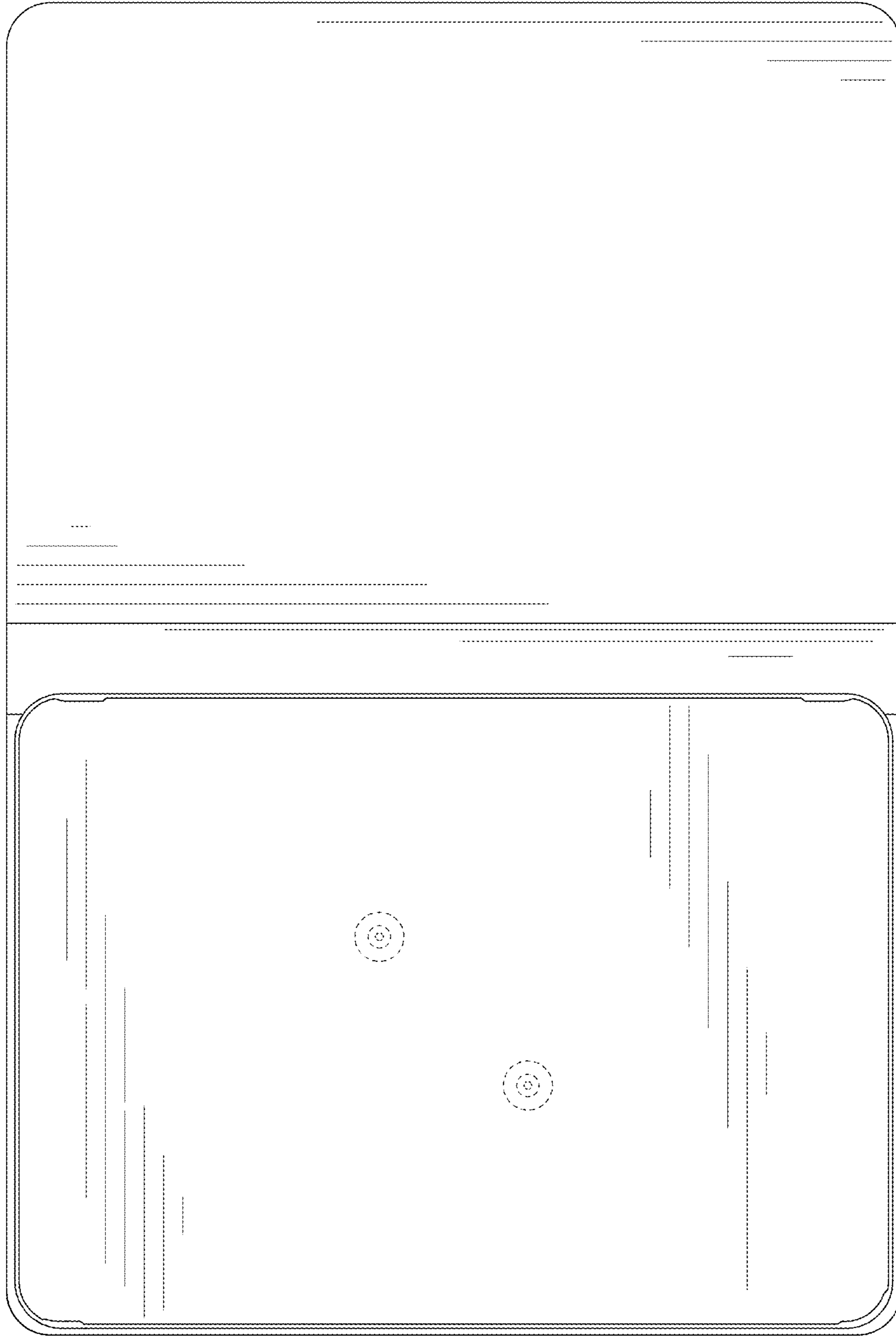


FIG. 3

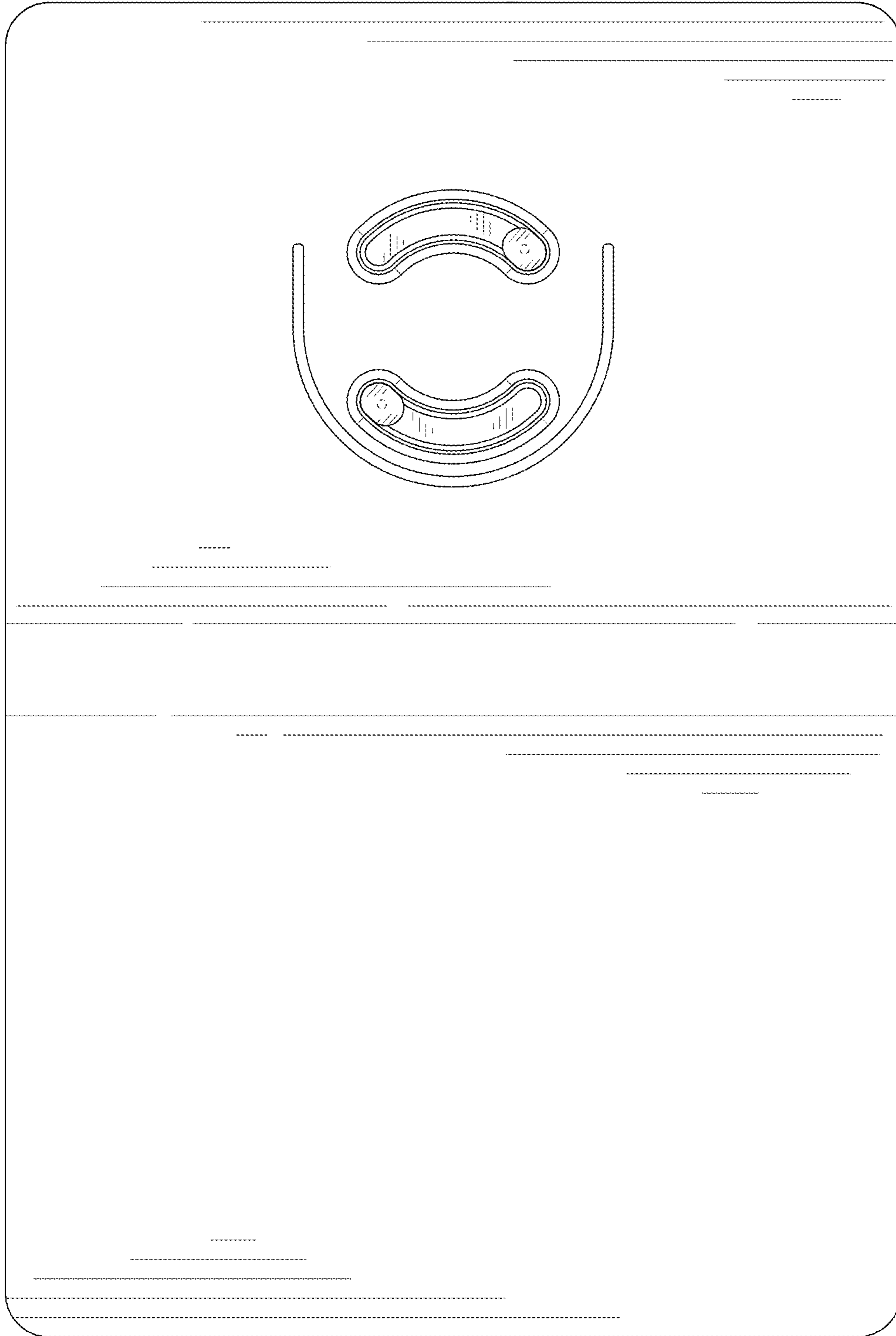


FIG. 4



FIG. 5

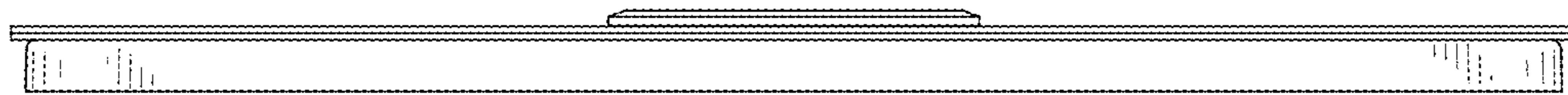


FIG. 6

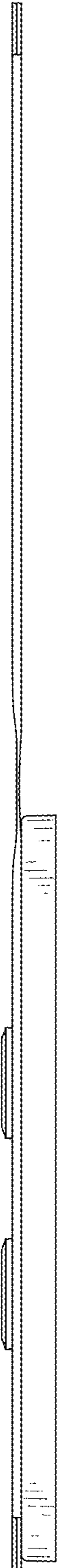


FIG. 7

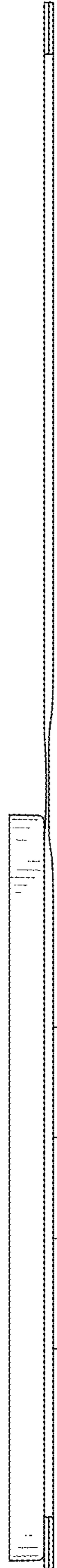


FIG. 8

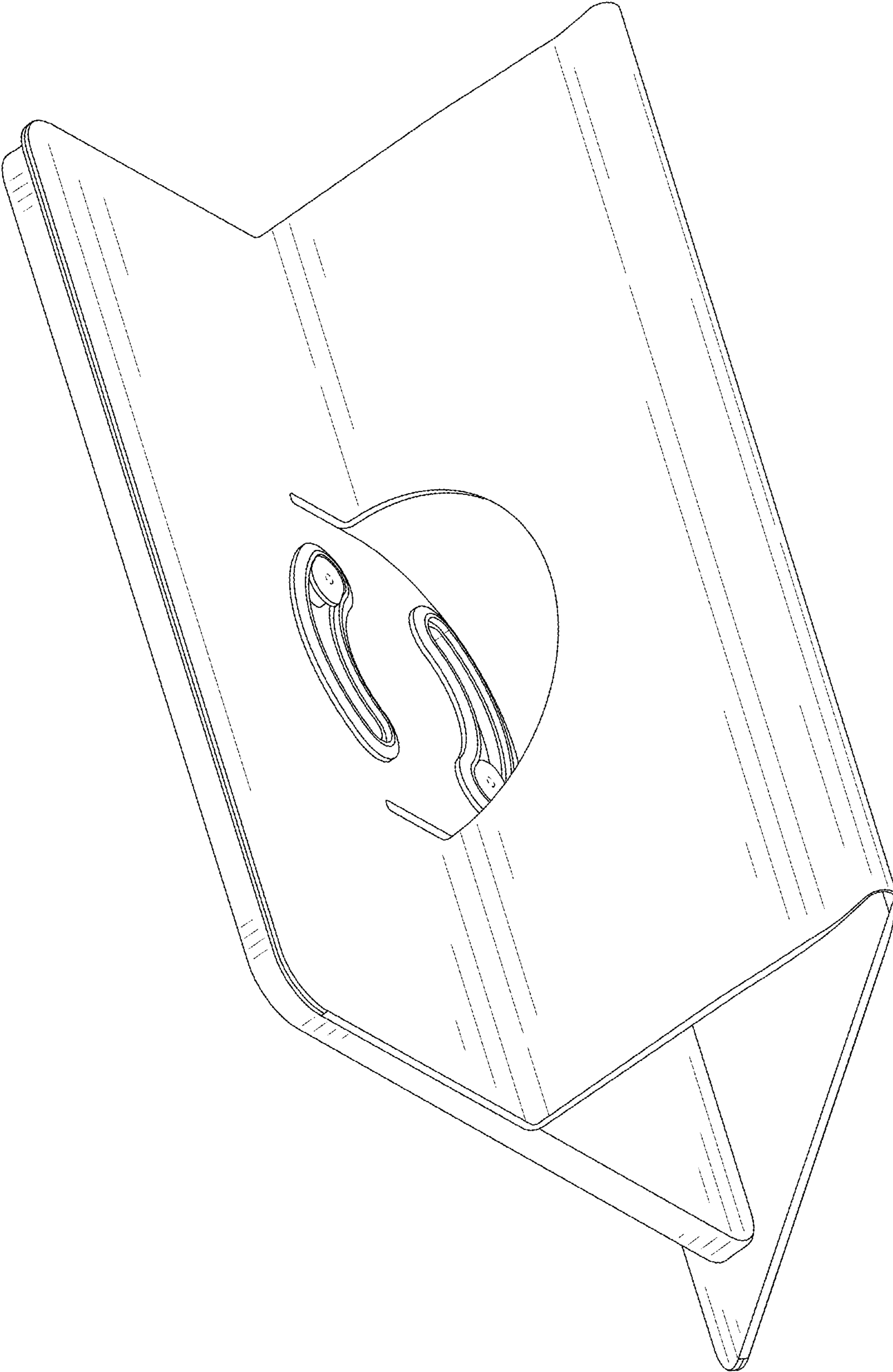


FIG. 9

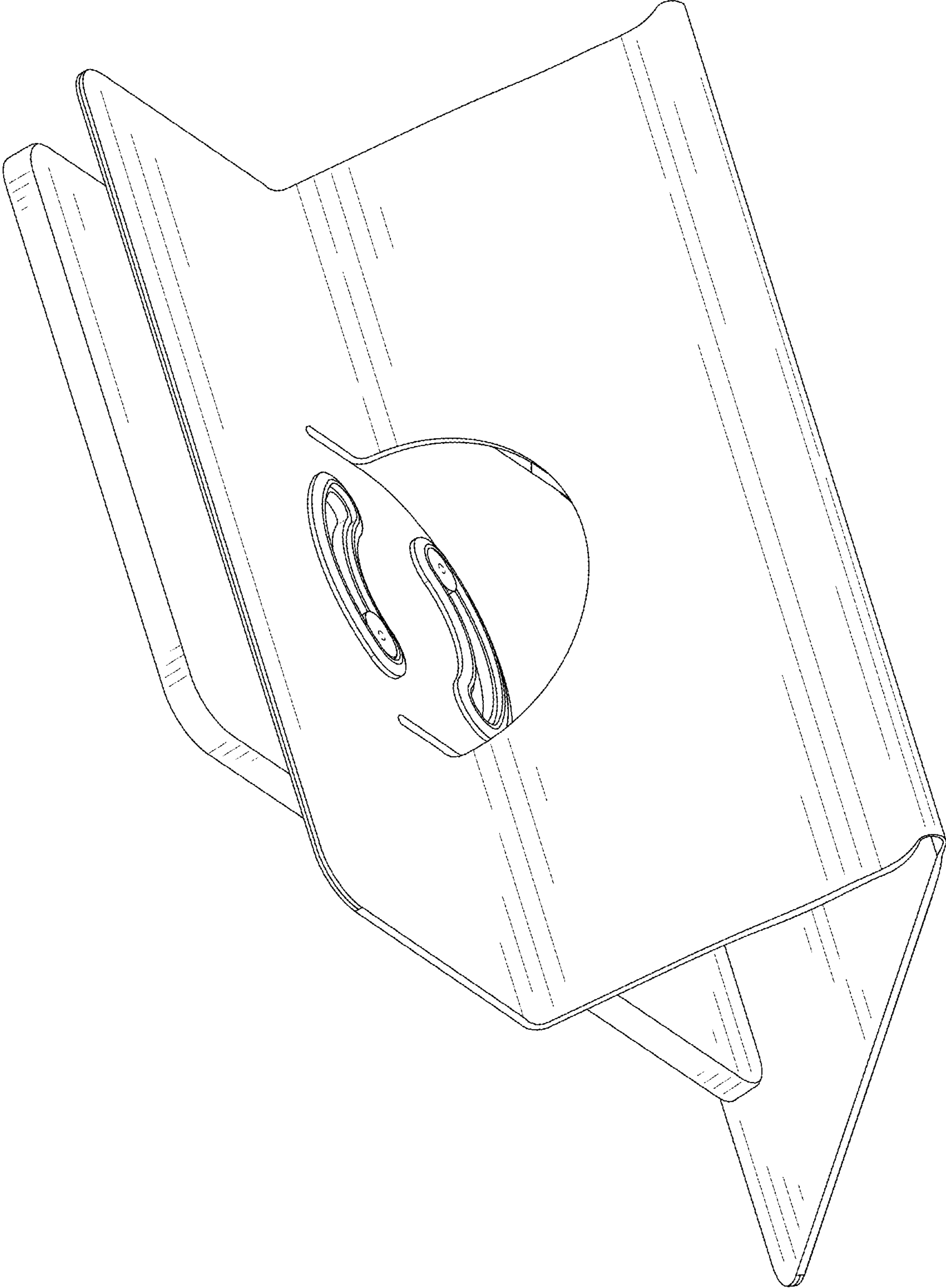


FIG. 10

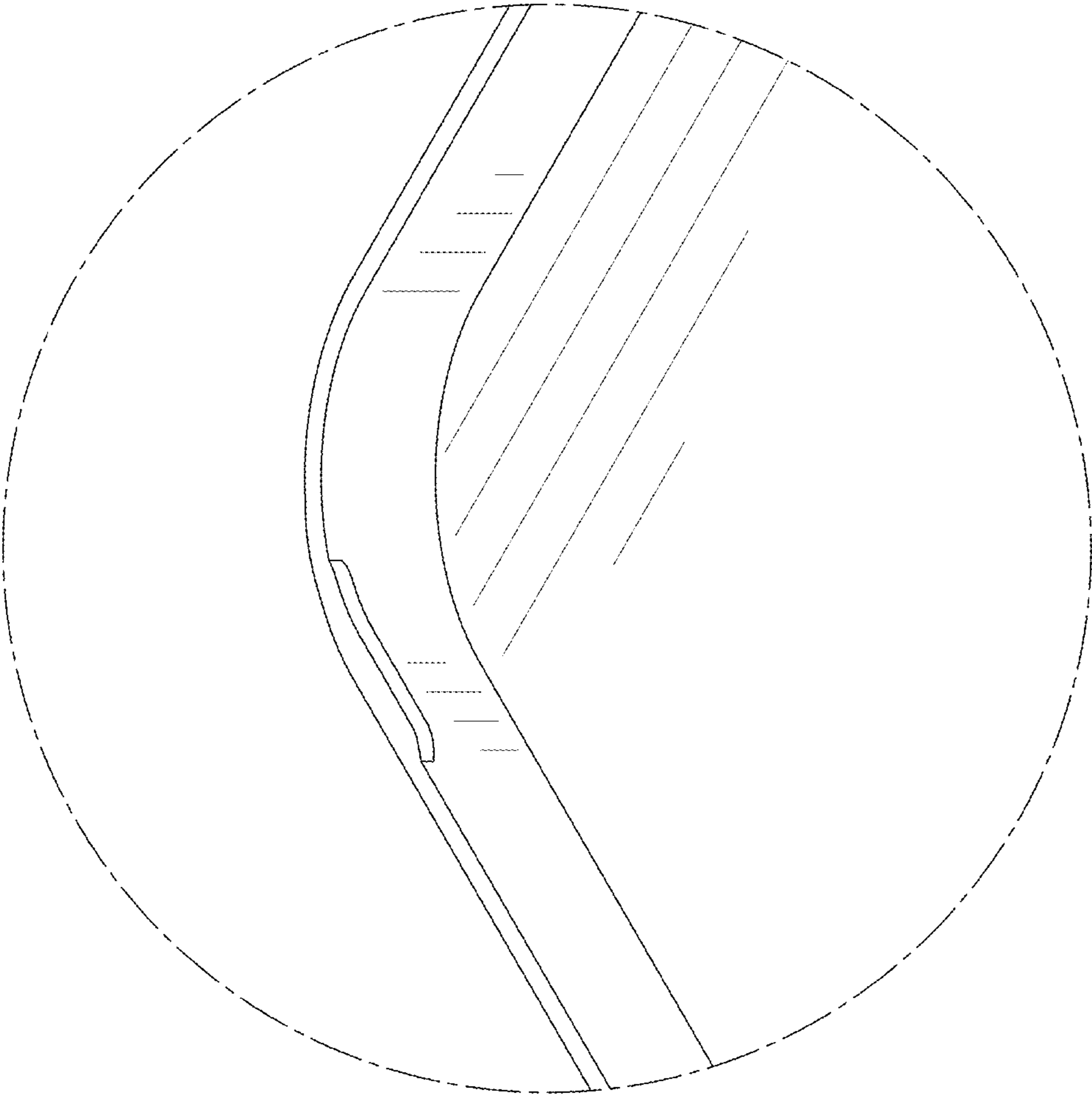


FIG. 11

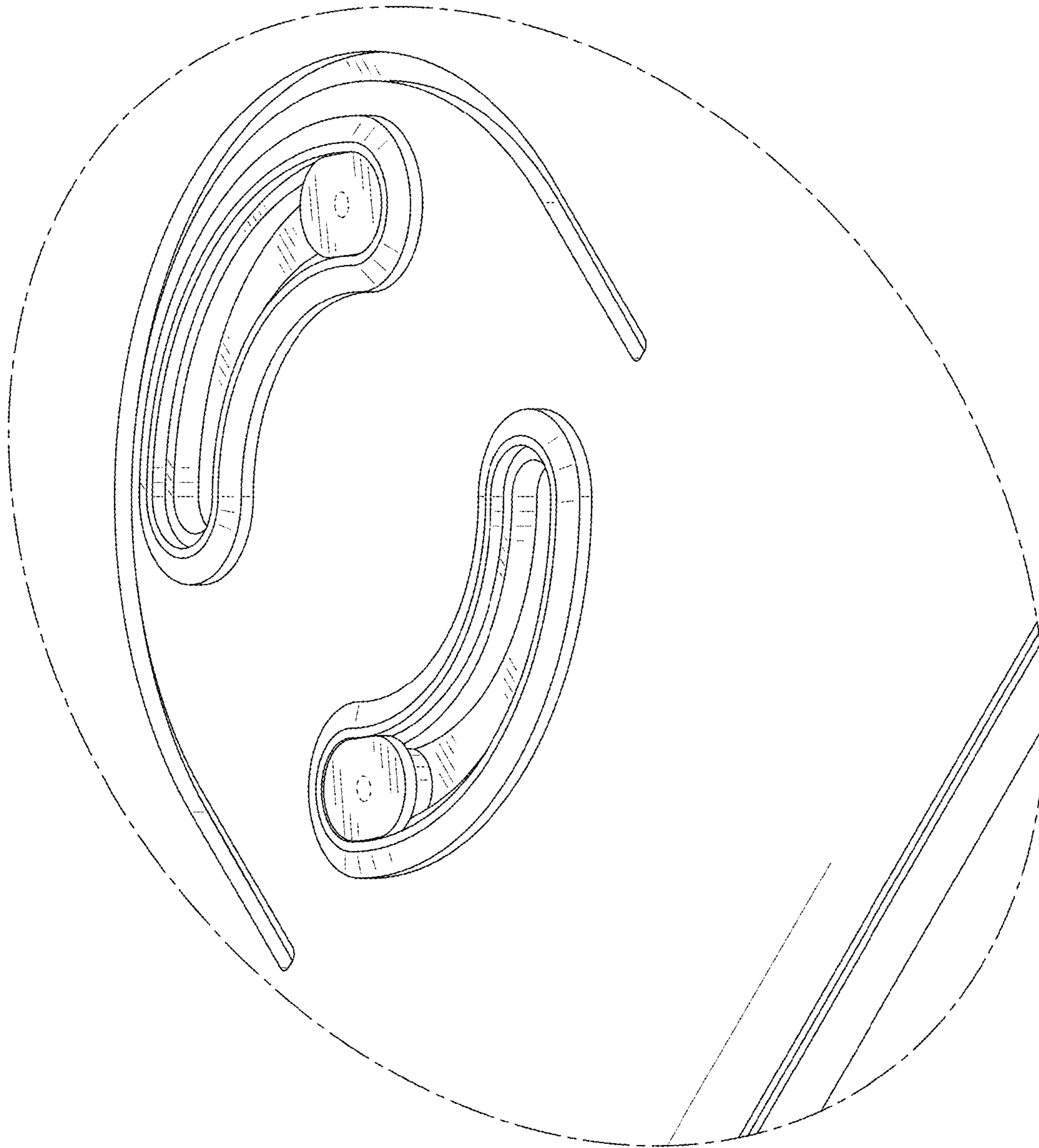


FIG. 12