



US00D895627S

(12) **United States Design Patent** (10) **Patent No.:** **US D895,627 S**  
**Akana et al.** (45) **Date of Patent:** **\*\* Sep. 8, 2020**

(54) **DISPLAY FOR AN ELECTRONIC DEVICE**

(71) Applicant: **Apple Inc.**, Cupertino, CA (US)

(72) Inventors: **Jody Akana**, San Francisco, CA (US); **Molly Anderson**, San Francisco, CA (US); **Bartley K. Andre**, Palo Alto, CA (US); **Shota Aoyagi**, San Francisco, CA (US); **Anthony Michael Ashcroft**, San Francisco, CA (US); **Marine C. Bataille**, San Francisco, CA (US); **Jeremy Bataillou**, San Francisco, CA (US); **James A. Bertin**, San Jose, CA (US); **Markus Diebel**, San Francisco, CA (US); **M. Evans Hankey**, San Francisco, CA (US); **Jesse P. Harris**, Saratoga, CA (US); **Simon C. Helmore**, San Francisco, CA (US); **Julian Hoening**, San Francisco, CA (US); **Lee E. Hooton**, Ridge, NY (US); **Richard P. Howarth**, San Francisco, CA (US); **Jonathan P. Ive**, San Francisco, CA (US); **Julian Jaede**, San Francisco, CA (US); **Daniel W. Jarvis**, Sunnyvale, CA (US); **Duncan Robert Kerr**, San Francisco, CA (US); **Peter Russell-Clarke**, San Francisco, CA (US); **Benjamin Andrew Shaffer**, San Jose, CA (US); **Mikael Silvano**, San Francisco, CA (US); **Ian A. Spraggs**, San Francisco, CA (US); **Sung-Ho Tan**, San Francisco, CA (US); **Clement Tissandier**, San Francisco, CA (US); **Eugene Antony Whang**, San Francisco, CA (US); **Rico Zörkendörfer**, Jackson, WY (US)

(73) Assignee: **Apple Inc.**, Cupertino, CA (US)

(\*\*) Term: **15 Years**

(21) Appl. No.: **29/691,262**

(22) Filed: **May 15, 2019**

(51) **LOC (12) Cl.** ..... 14-02

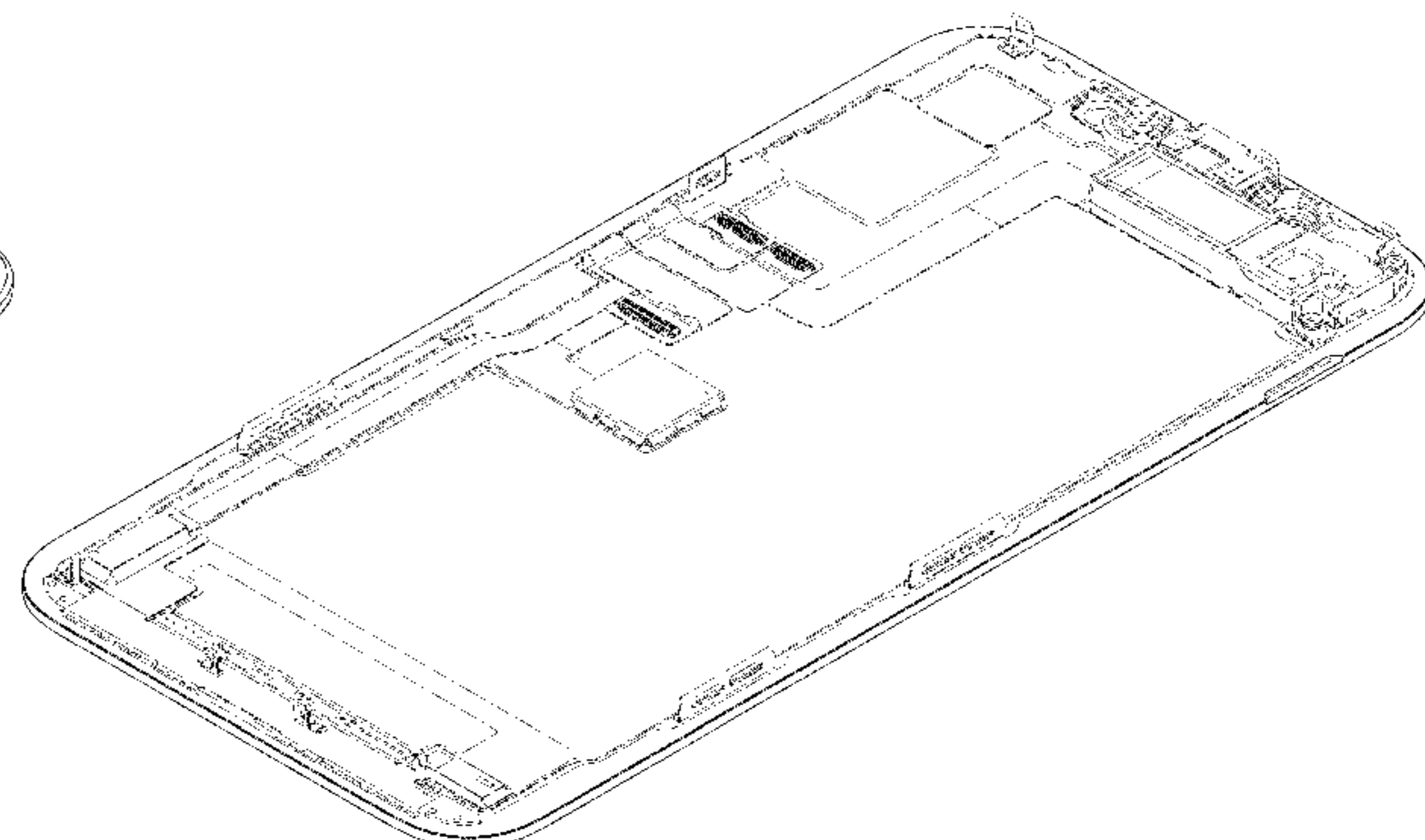
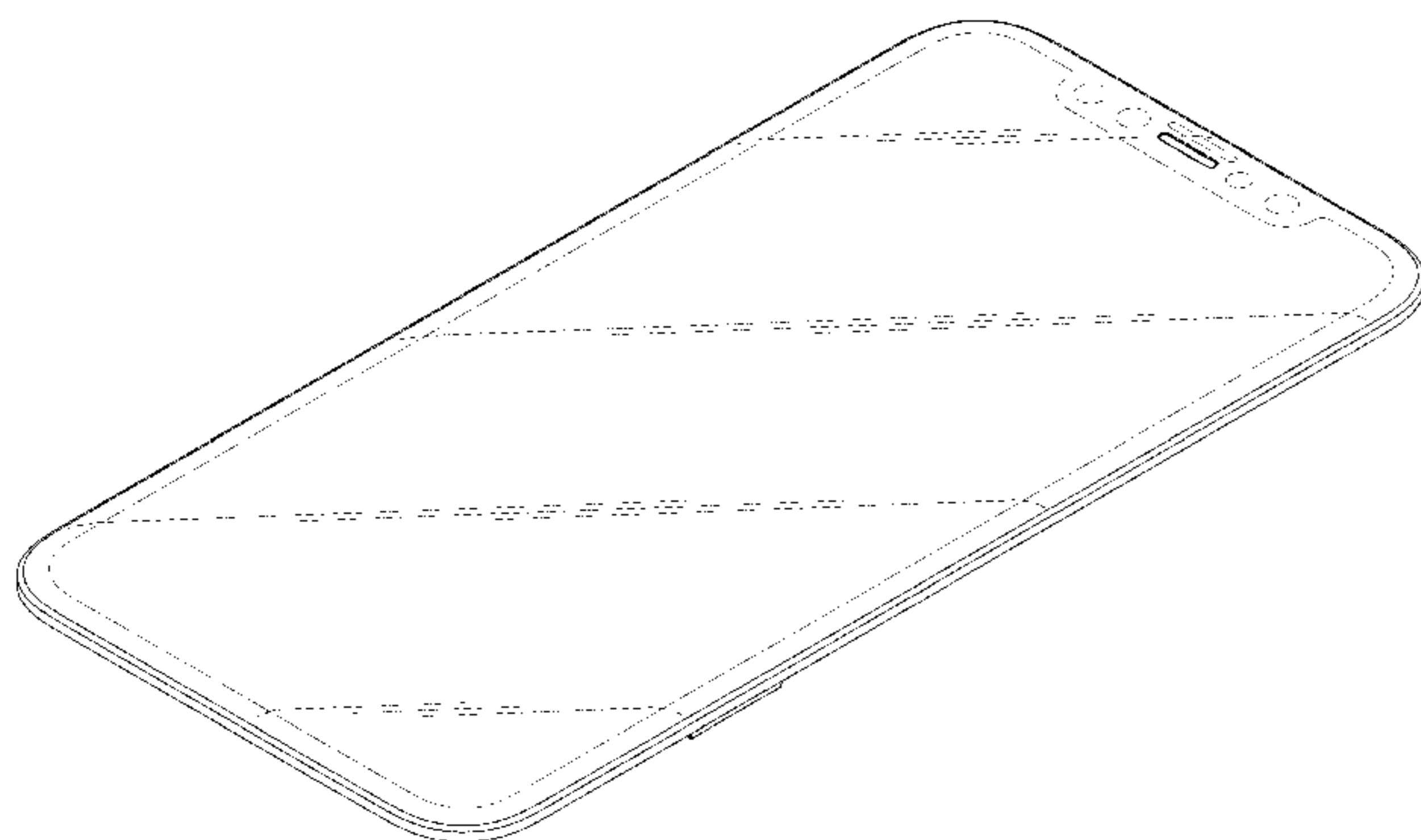
(52) **U.S. Cl.**  
USPC ..... **D14/439**

(58) **Field of Classification Search**  
USPC ..... D14/341-347, 424, 425, 432-453, 464, D14/468, 469, 471, 496, 511, 138 AA, D14/138 AD, 138 C, 138 G, 203.1-203.8, D14/217, 238.1, 248, 250, 257, 299; 361/679.01, 679.02, 679.03, 679.3, 361/679.55, 679.56; 455/550.1, 556.1, 455/556.2, 575.1, 575.3-575.5, 575.8, 455/90.3  
CPC .... H04M 1/0277; H04M 1/0202; H04M 1/02; H04B 1/3838  
See application file for complete search history.

(56) **References Cited**

U.S. PATENT DOCUMENTS

|              |         |                  |         |
|--------------|---------|------------------|---------|
| D558,757 S   | 1/2008  | Andre et al.     |         |
| D575,056 S * | 8/2008  | Tan              | D3/201  |
| D580,387 S   | 11/2008 | Andre et al.     |         |
| D593,087 S   | 5/2009  | Andre et al.     |         |
| D602,014 S   | 10/2009 | Andre et al.     |         |
| D602,015 S   | 10/2009 | Andre et al.     |         |
| D602,017 S   | 10/2009 | Andre et al.     |         |
| D613,735 S   | 4/2010  | Andre et al.     |         |
| D613,736 S   | 4/2010  | Andre et al.     |         |
| D615,083 S   | 5/2010  | Andre et al.     |         |
| D618,678 S   | 6/2010  | Andre et al.     |         |
| D622,718 S   | 8/2010  | Andre et al.     |         |
| D627,778 S   | 11/2010 | Akana et al.     |         |
| 7,876,274 B2 | 1/2011  | Hobson et al.    |         |
| D633,091 S   | 2/2011  | Andre et al.     |         |
| 7,889,139 B2 | 2/2011  | Hobson et al.    |         |
| 7,924,231 B2 | 4/2011  | Hill et al.      |         |
| D642,563 S   | 8/2011  | Akana et al.     |         |
| D647,106 S   | 10/2011 | Akana et al.     |         |
| D647,882 S   | 11/2011 | Kim et al.       |         |
| 8,106,836 B2 | 1/2012  | Hill et al.      |         |
| D654,887 S   | 2/2012  | McManigal et al. |         |
| 8,116,073 B2 | 2/2012  | Hung et al.      |         |
| D661,707 S   | 6/2012  | Akana et al.     |         |
| D662,922 S   | 7/2012  | Akana et al.     |         |
| D665,808 S   | 8/2012  | Wang             |         |
| D666,202 S   | 8/2012  | Dinh et al.      |         |
| D669,071 S   | 10/2012 | Akana et al.     |         |
| D677,664 S   | 3/2013  | Akana et al.     |         |
| D677,666 S * | 3/2013  | Akana            | D14/439 |



# US D895,627 S

Page 2

|                 |         |                   |                       |
|-----------------|---------|-------------------|-----------------------|
| D678,261 S      | 3/2013  | Akana et al.      |                       |
| D680,092 S      | 4/2013  | Tsai et al.       |                       |
| D681,032 S      | 4/2013  | Akana et al.      |                       |
| D684,571 S      | 6/2013  | Akana et al.      |                       |
| D689,475 S      | 9/2013  | Andre et al.      |                       |
| D692,878 S      | 11/2013 | Akana et al.      |                       |
| D693,785 S      | 11/2013 | Sutherland et al. |                       |
| D695,316 S      | 12/2013 | Akana et al.      |                       |
| D697,068 S *    | 1/2014  | Andre .....       | H01Q 1/243<br>D14/439 |
| D697,511 S      | 1/2014  | Andre et al.      |                       |
| D697,918 S      | 1/2014  | Akana et al.      |                       |
| D699,717 S      | 2/2014  | Akana et al.      |                       |
| D703,633 S      | 4/2014  | Akana et al.      |                       |
| D706,253 S      | 6/2014  | Simmer            |                       |
| D707,223 S      | 6/2014  | Akana et al.      |                       |
| D710,843 S      | 8/2014  | Akana et al.      |                       |
| D714,053 S      | 9/2014  | Yoo               |                       |
| D714,294 S      | 9/2014  | Dinh et al.       |                       |
| D714,771 S      | 10/2014 | Rayner            |                       |
| D716,780 S      | 11/2014 | Park              |                       |
| D716,781 S      | 11/2014 | Andre et al.      |                       |
| D721,344 S      | 1/2015  | Lee et al.        |                       |
| D723,567 S      | 3/2015  | Akana et al.      |                       |
| D728,545 S      | 5/2015  | Koh               |                       |
| D730,361 S      | 5/2015  | Akana et al.      |                       |
| D731,481 S      | 6/2015  | Akana et al.      |                       |
| D732,040 S      | 6/2015  | Chuang et al.     |                       |
| D732,539 S      | 6/2015  | Akana et al.      |                       |
| D732,540 S      | 6/2015  | Kang et al.       |                       |
| D733,146 S      | 6/2015  | Akana et al.      |                       |
| D747,319 S      | 1/2016  | Lee               |                       |
| D747,723 S      | 1/2016  | Kim et al.        |                       |
| D749,590 S      | 2/2016  | Dinh et al.       |                       |
| D749,591 S      | 2/2016  | Akana et al.      |                       |
| D759,008 S      | 6/2016  | Akana et al.      |                       |
| D764,434 S      | 8/2016  | Akana et al.      |                       |
| D768,637 S *    | 10/2016 | Akana .....       | D14/439               |
| D777,714 S      | 1/2017  | Akana et al.      |                       |
| D791,139 S *    | 7/2017  | Akana .....       | D14/439               |
| D801,321 S      | 10/2017 | Kim et al.        |                       |
| D820,255 S      | 6/2018  | Akana et al.      |                       |
| D824,389 S *    | 7/2018  | Dinh .....        | D14/439               |
| D824,390 S *    | 7/2018  | Akana .....       | D14/439               |
| D831,025 S *    | 10/2018 | Akana .....       | D14/341               |
| D832,266 S *    | 10/2018 | Akana .....       | D14/439               |
| D832,267 S      | 10/2018 | Akana et al.      |                       |
| D848,999 S *    | 5/2019  | Akana .....       | D14/341               |
| D849,009 S *    | 5/2019  | Akana .....       | D14/439               |
| D849,010 S *    | 5/2019  | Akana .....       | D14/439               |
| D852,197 S *    | 6/2019  | Akana .....       | D14/439               |
| D856,338 S *    | 8/2019  | Akana .....       | D14/439               |
| D873,832 S *    | 1/2020  | Akana .....       | D14/439               |
| 2008/0316116 A1 | 12/2008 | Hobson et al.     |                       |
| 2008/0316121 A1 | 12/2008 | Hobson et al.     |                       |
| 2009/0247244 A1 | 10/2009 | Mittleman et al.  |                       |
| 2013/0076965 A1 | 3/2013  | Dabov             |                       |
| 2013/0113348 A1 | 5/2013  | Holben et al.     |                       |

## FOREIGN PATENT DOCUMENTS

|    |             |         |
|----|-------------|---------|
| CN | 301300814 S | 8/2010  |
| CN | 302619300 S | 10/2013 |
| CN | 302748579 S | 2/2014  |
| CN | 303617715 S | 3/2016  |
| CN | 303647864 S | 4/2016  |
| CN | 303774339 S | 8/2016  |
| CN | 303805687 S | 8/2016  |
| CN | 304095914 S | 4/2017  |

|    |             |         |
|----|-------------|---------|
| CN | 304095915 S | 4/2017  |
| CN | 304130421 S | 5/2017  |
| IN | 2768570001  | 2/2016  |
| JP | D1351273 S  | 2/2009  |
| JP | D1474567 S  | 7/2013  |
| JP | D1481759 S  | 10/2013 |
| JP | D1496834 S  | 5/2014  |
| JP | 1548987 S   | 5/2016  |
| JP | 1563161 S   | 11/2016 |
| JP | 1574816 S   | 4/2017  |
| KR | 300849814   | 4/2016  |
| KR | 300902453   | 9/2017  |
| RU | 85816       | 7/2013  |
| RU | 89999 U1    | 9/2014  |
| RU | 90363 U1    | 10/2014 |
| RU | 104650 U1   | 8/2017  |
| TW | D139493     | 3/2011  |

## OTHER PUBLICATIONS

Faulkner, Cameron, "Essential Phone Review", Tech Radar, [retrieved on Nov. 25, 2017], 2017, accessed at Retrieved from the Internet: (URL: <http://www.techradar.com/reviews/essential-phone>).

Fingas, Roger, "Leak claims to show schematic for 2019's upcoming 'iPhone XI,'" Mar. 28, 2019. Available online at (<https://appleinsider.com/articles/19/03/28/leak-claims-to-show-schematic-for-2019s-upcoming-iphone-xi>).

Sharp Aquos S2 is a Nearly Bezel-Less Phone with Mid-Range Specs, Mashable, Aug. 8, 2017, Retrieved from the Internet:(URL: <http://mashable.com/2017/08/08/sharp-aquos-s2/#C05q3N0tzOqV>), 10 pages.

Team Digit, "Exclusive: First look at 2019 Apple iPhone XI renders," Jan. 6, 2019. Available online at (<https://www.digit.in/news/mobile-phones/exclusive-first-look-at-2019-iphone-xi-renders-45655.html>).

Twitter, @OnLeaks, "Excitement level over 9000!!!" Jan. 5, 2019. Available online at (<https://twitter.com/OnLeaks/status/1081902300434780161>).

\* cited by examiner

*Primary Examiner* — Austin Murphy  
(74) *Attorney, Agent, or Firm* — Sterne, Kessler, Goldstein & Fox, P.L.L.C.

## (57) CLAIM

The ornamental design for a display for an electronic device, as shown.

## DESCRIPTION

FIG. 1 is a bottom front perspective view of a display for an electronic device showing the claimed design;  
FIG. 2 is a bottom rear perspective view thereof;  
FIG. 3 is a front view thereof;  
FIG. 4 is a rear view thereof;  
FIG. 5 is a left side view thereof;  
FIG. 6 is a right side view thereof;  
FIG. 7 is a top view thereof; and,  
FIG. 8 is a bottom view thereof.

**1 Claim, 6 Drawing Sheets**

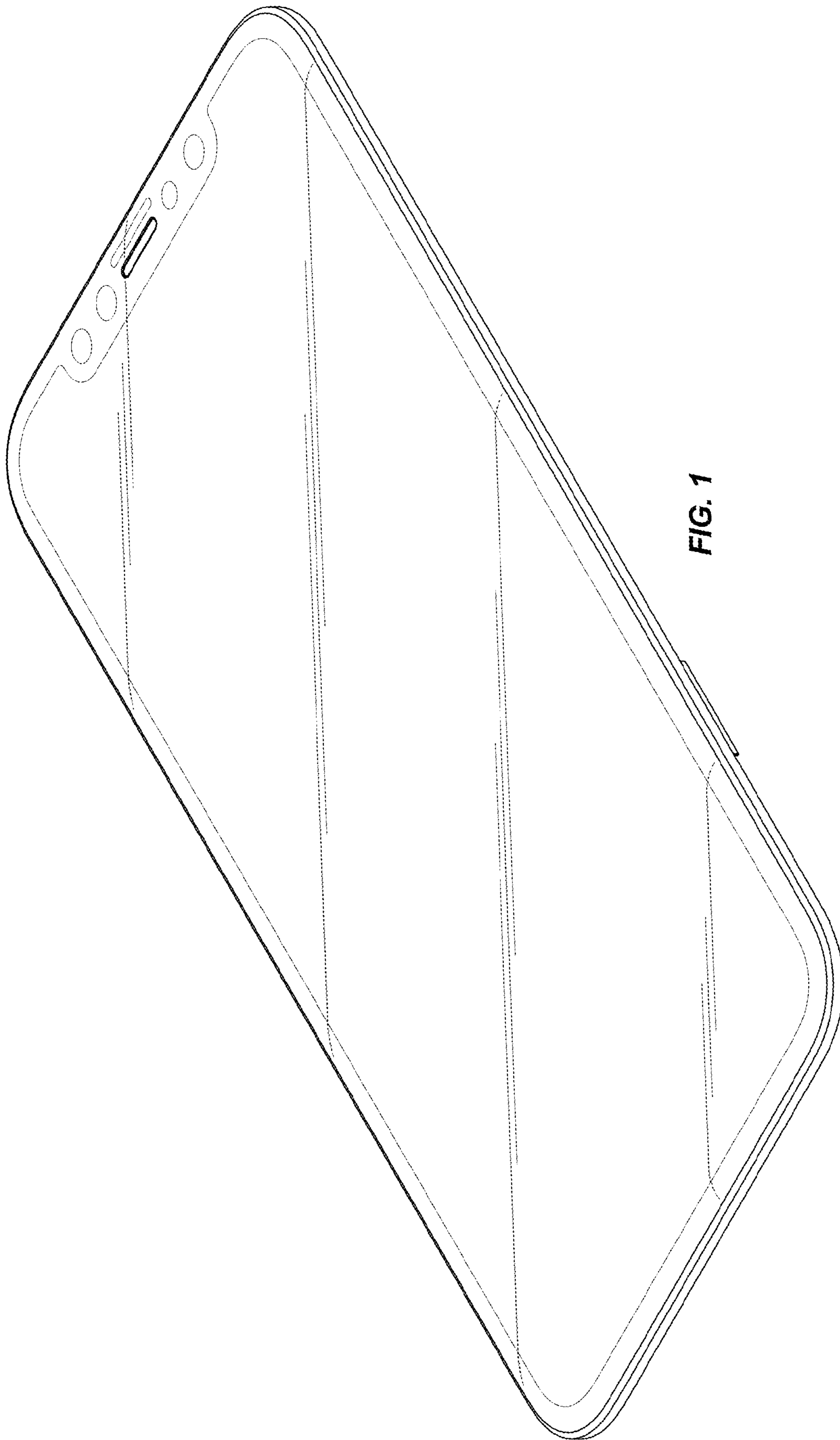


FIG. 1

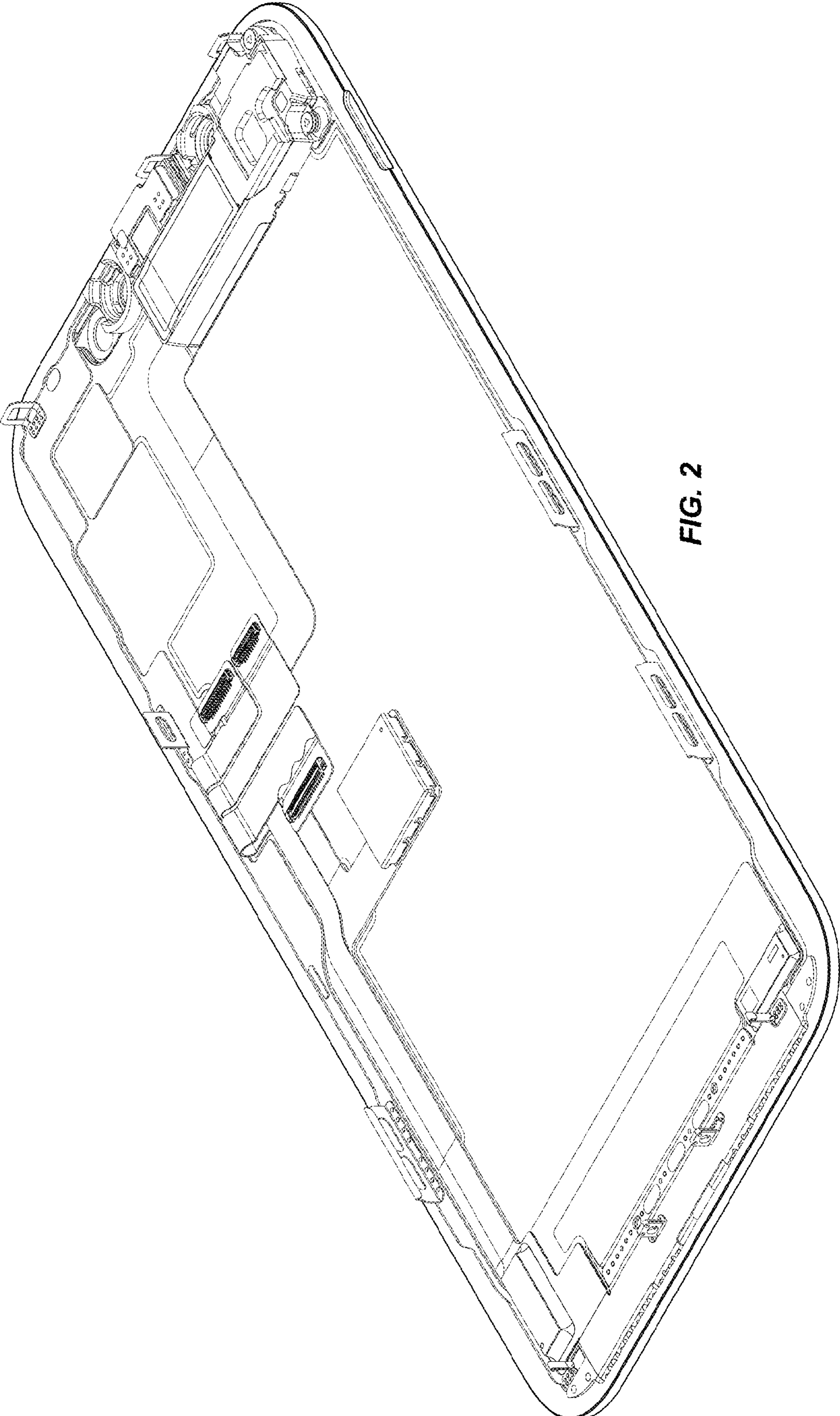


FIG. 2

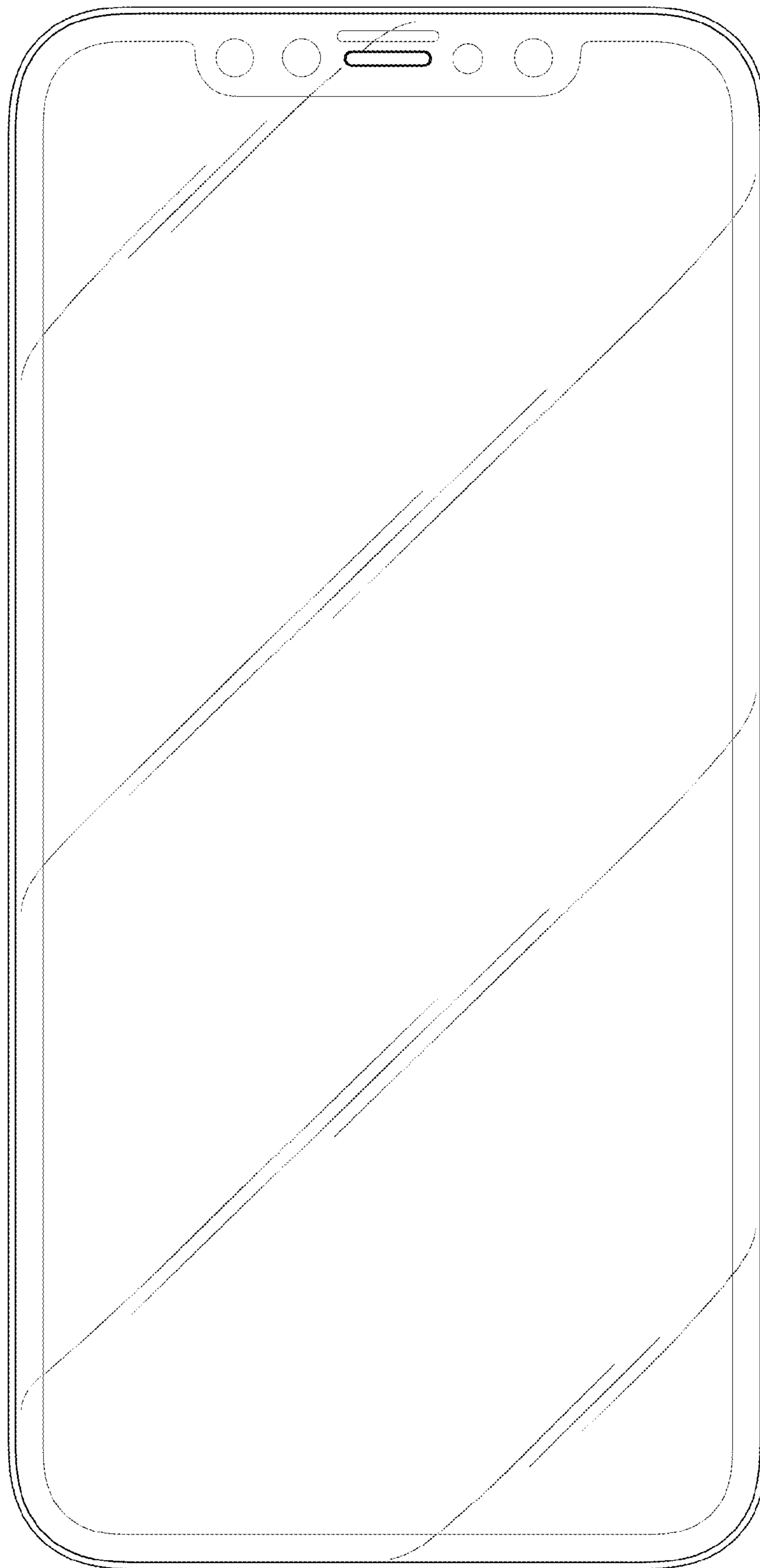


FIG. 3

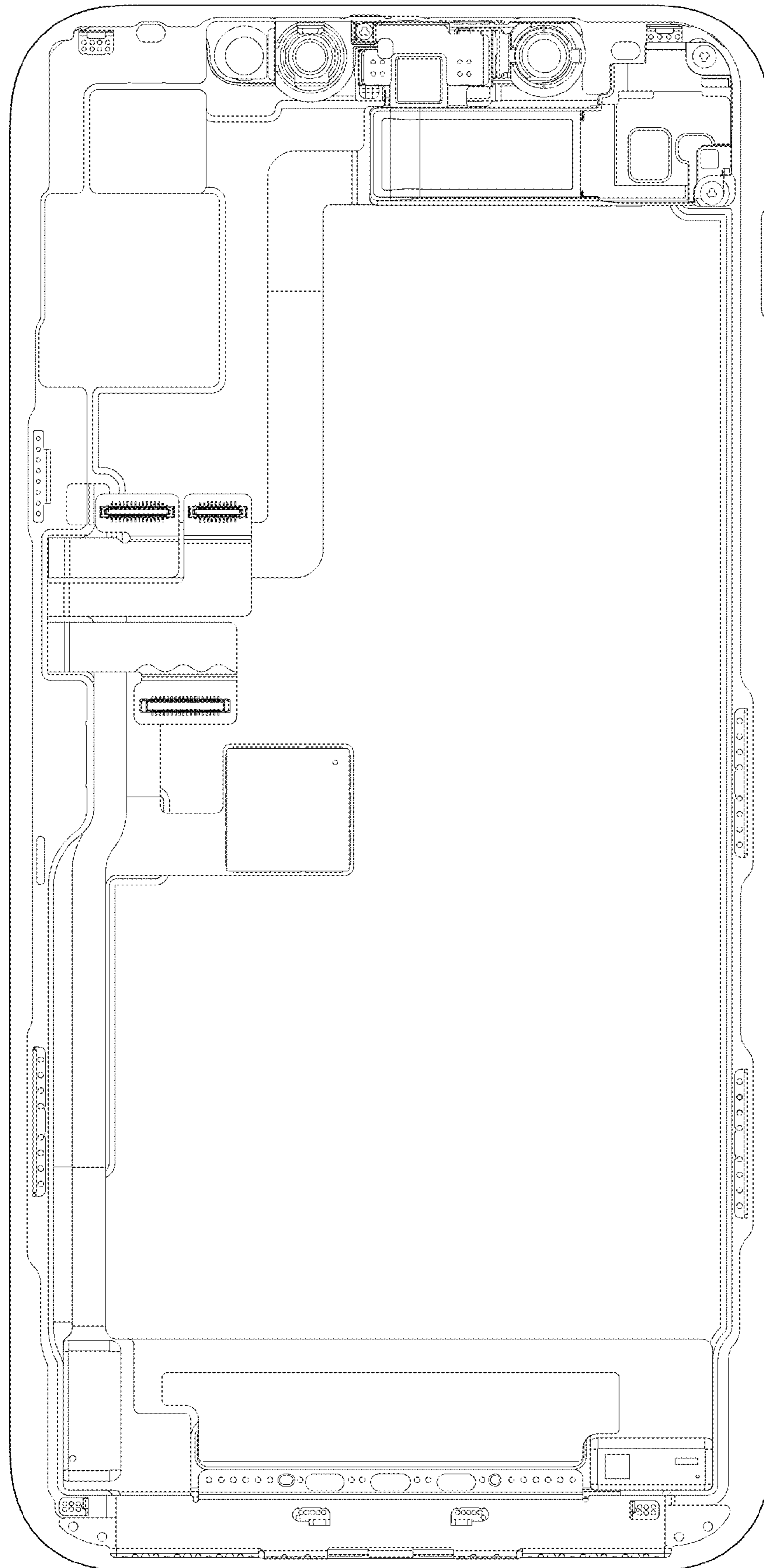
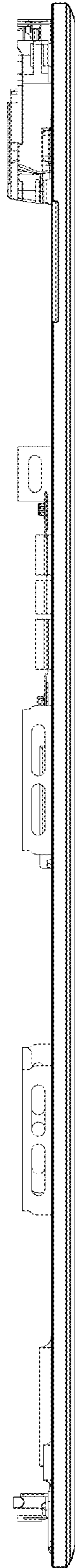
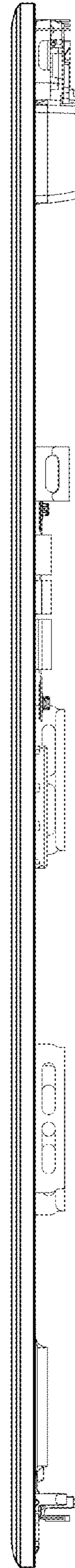


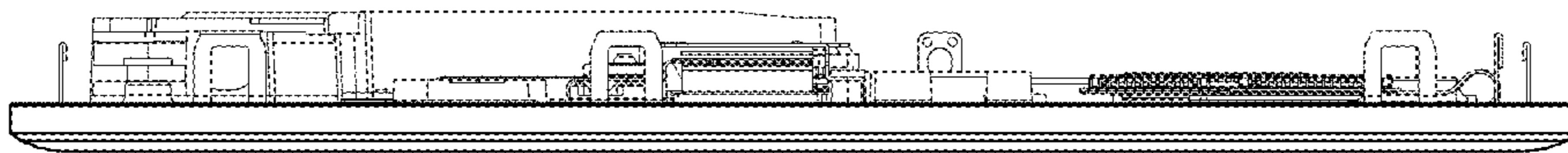
FIG. 4



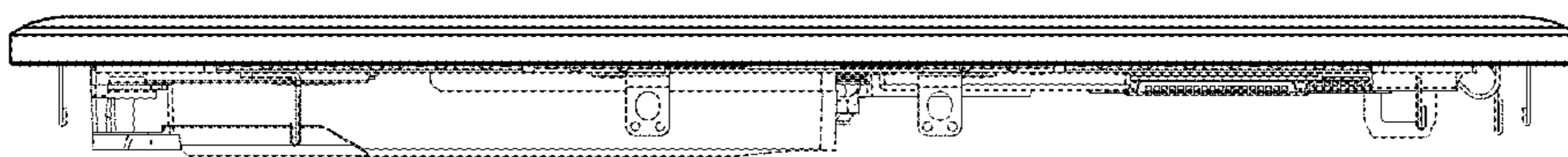
**FIG. 5**



**FIG. 6**



**FIG. 7**



**FIG. 8**