



US00D895624S

(12) **United States Design Patent**
Liau

(10) **Patent No.:** **US D895,624 S**

(45) **Date of Patent:** **** Sep. 8, 2020**

(54) **CONNECTOR HOUSING**

(71) Applicant: **Adolite Inc.**, Santa Clara, CA (US)

(72) Inventor: **David Liau**, Fremont, CA (US)

(73) Assignee: **ADOLITE INC.**, Santa Clara, CA (US)

(**) Term: **15 Years**

(21) Appl. No.: **29/639,437**

(22) Filed: **Mar. 6, 2018**

(51) **LOC (12) Cl.** **14-02**

(52) **U.S. Cl.**
USPC **D14/433**

(58) **Field of Classification Search**
USPC D13/103, 107, 108, 110, 112, 118, 120,
D13/123, 133, 137.1, 145-147, 149-156,
D13/158, 173, 177, 184, 199, 242;
D14/240, 242, 433, 434, 435.1, 438;
D26/129

CPC H01R 25/006; H01R 27/02; H01R 31/005;
H04L 12/2832; H04L 12/2838; G06F
1/1632; G06F 1/1684; G06F 1/20; G06F
1/1607; G06F 3/00; G06F 5/00; G06F
13/14; G06F 13/4022; G06F 13/382

See application file for complete search history.

(56) **References Cited**

U.S. PATENT DOCUMENTS

D795,875 S *	8/2017	Kim	D14/433
D810,748 S *	2/2018	Zhang	D14/433
D823,261 S *	7/2018	Ugla	D13/153
D824,909 S *	8/2018	Namala	D14/433
D832,849 S *	11/2018	Kim	D14/433
D833,445 S *	11/2018	Xie	D14/433
D835,591 S *	12/2018	Shim	D13/184
D841,007 S *	2/2019	Xie	D14/433

D845,303 S *	4/2019	Laffon de Mazieres	D14/433
D851,089 S *	6/2019	Sweet	D14/433
10,452,589 B2 *	10/2019	Beckman	H04W 76/30
10,454,208 B2 *	10/2019	Johnson	H01R 13/506
D867,286 S *	11/2019	Akana	D13/110
D871,324 S *	12/2019	Roberts	D13/108

OTHER PUBLICATIONS

Lenovo. Lenovo USB-C to USB-A Adapter. No date specified.
<https://www.lenovo.com/us/en/accessories-and-monitors/cables-and-adapters/adapters/CABLE-BO-USB-C-to-USB-A-Adapter/p/4X90Q59481> (Year: 0).*

(Continued)

Primary Examiner — Darcey E Gottschalk

(74) *Attorney, Agent, or Firm* — Alston & Bird LLP

(57) **CLAIM**

The ornamental design for a connector housing, as shown and described.

DESCRIPTION

FIG. 1 is a top perspective view of a connector housing according to one exemplary embodiment of the present design.

FIG. 2 is a bottom perspective view of the connector housing of FIG. 1.

FIG. 3 is a front view the connector housing of FIG. 1.

FIG. 4 is a back view of the connector housing of FIG. 1.

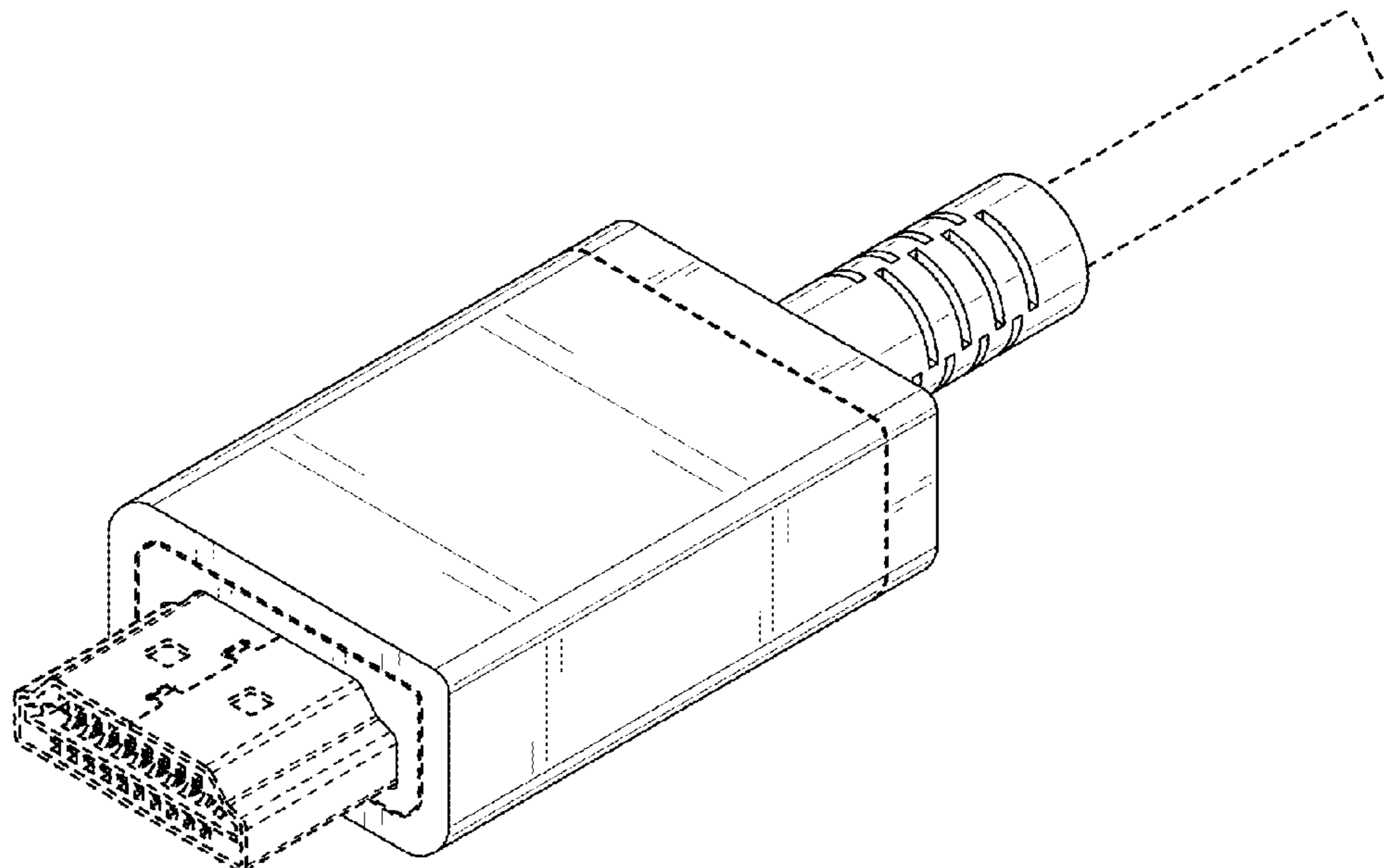
FIG. 5 is a left side view of the connector housing of FIG. 1.

FIG. 6 is a right side view of the connector housing of FIG. 1.

FIG. 7 is a top view of the connector housing of FIG. 1; and, FIG. 8 is a bottom view of the connector housing of FIG. 1.

The broken lines shown are provided for the purpose of illustrating environmental structure and form no part of the claimed design.

1 Claim, 6 Drawing Sheets



(56)

References Cited

OTHER PUBLICATIONS

Maker Lab. Micro USB Cable. No date specified. <https://www.makerlab-electronics.com/product/micro-usb-cable/> (Year: 0).*

Moshi. USB-C Monitor Cable (USB Type-C)—Gray/Gold. No date specified. <https://www.moshi.com/en/product/usb-c-monitor-cable/gray-gold> (Year: 0).*

* cited by examiner

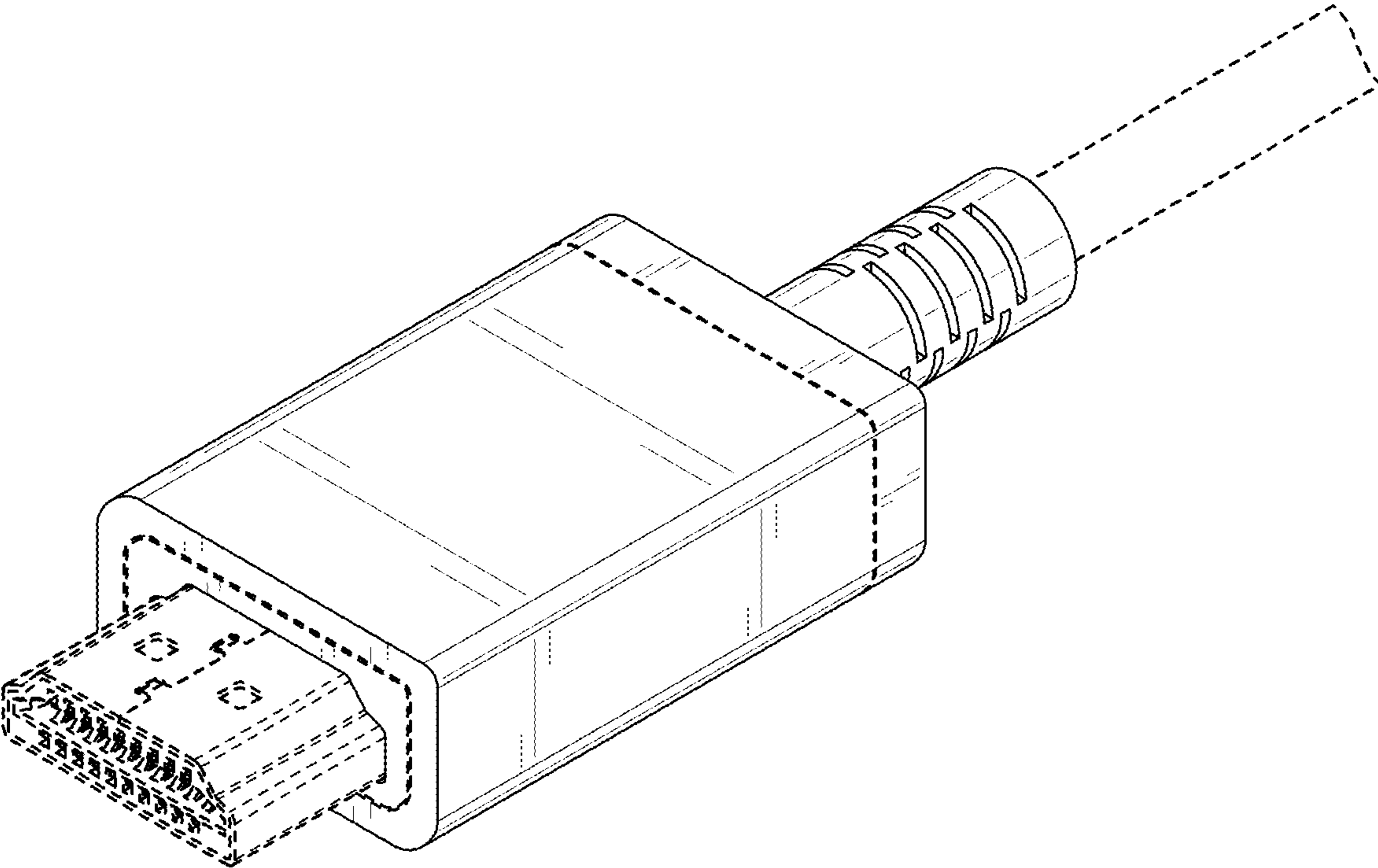


FIG. 1

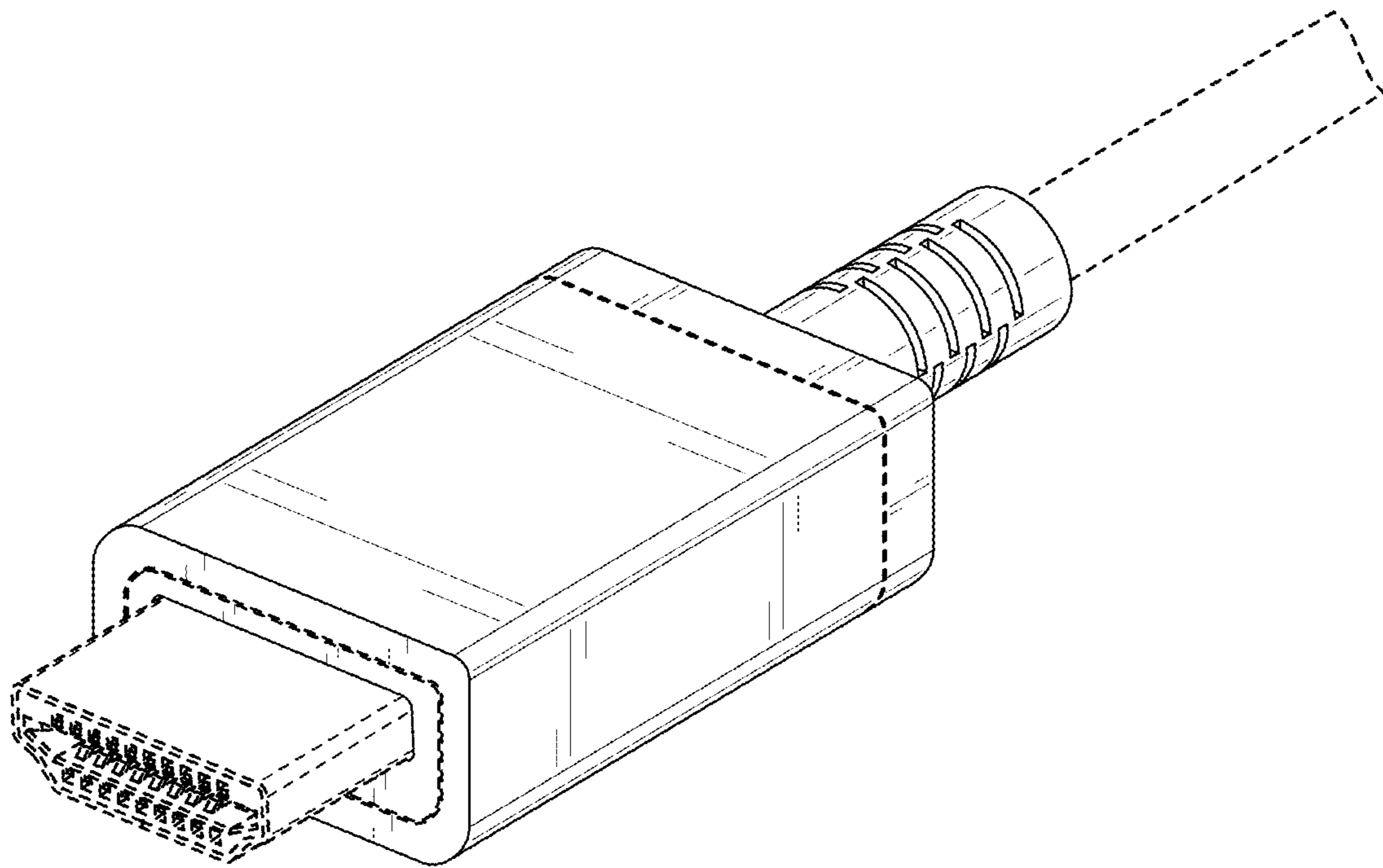


FIG. 2

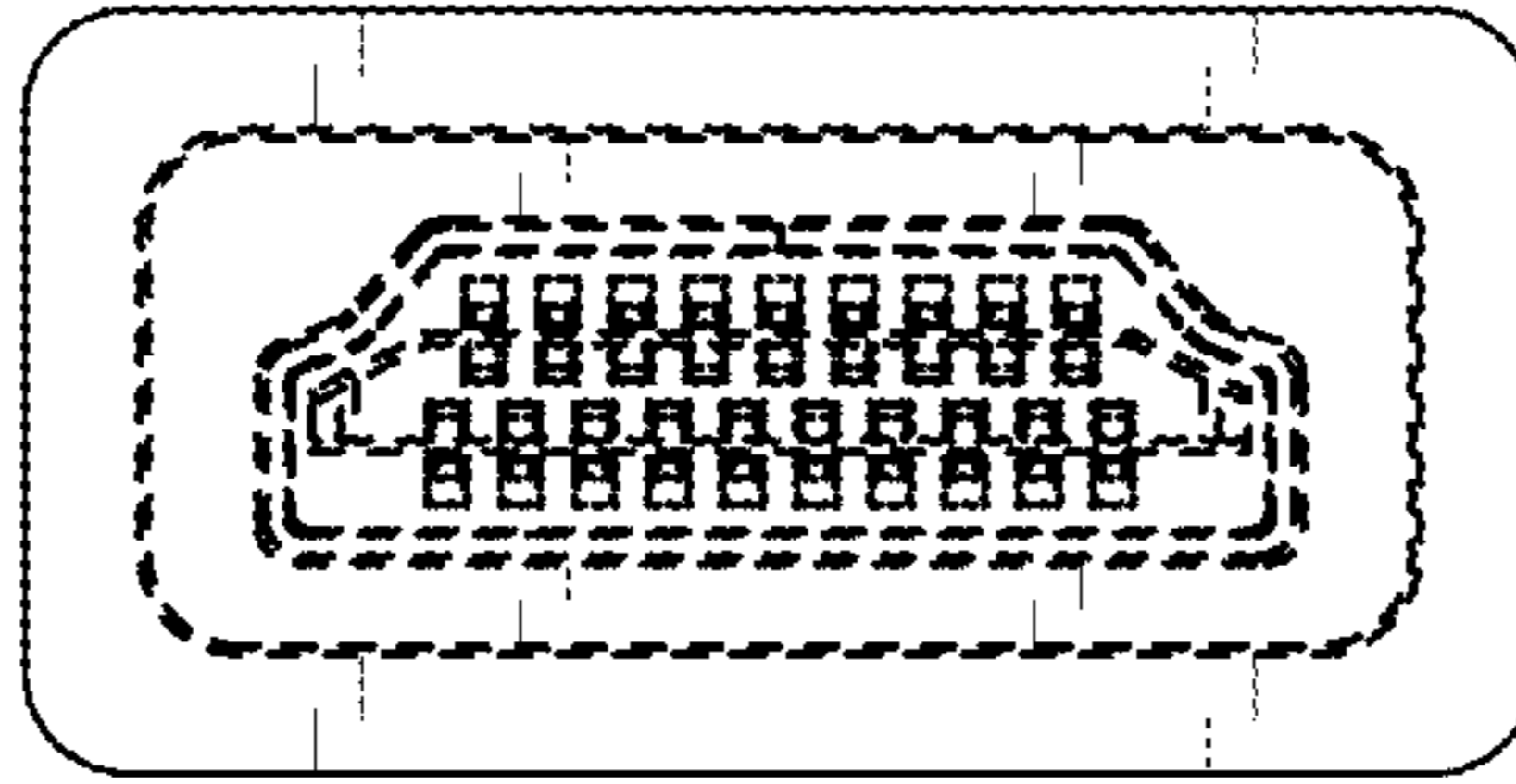


FIG. 3

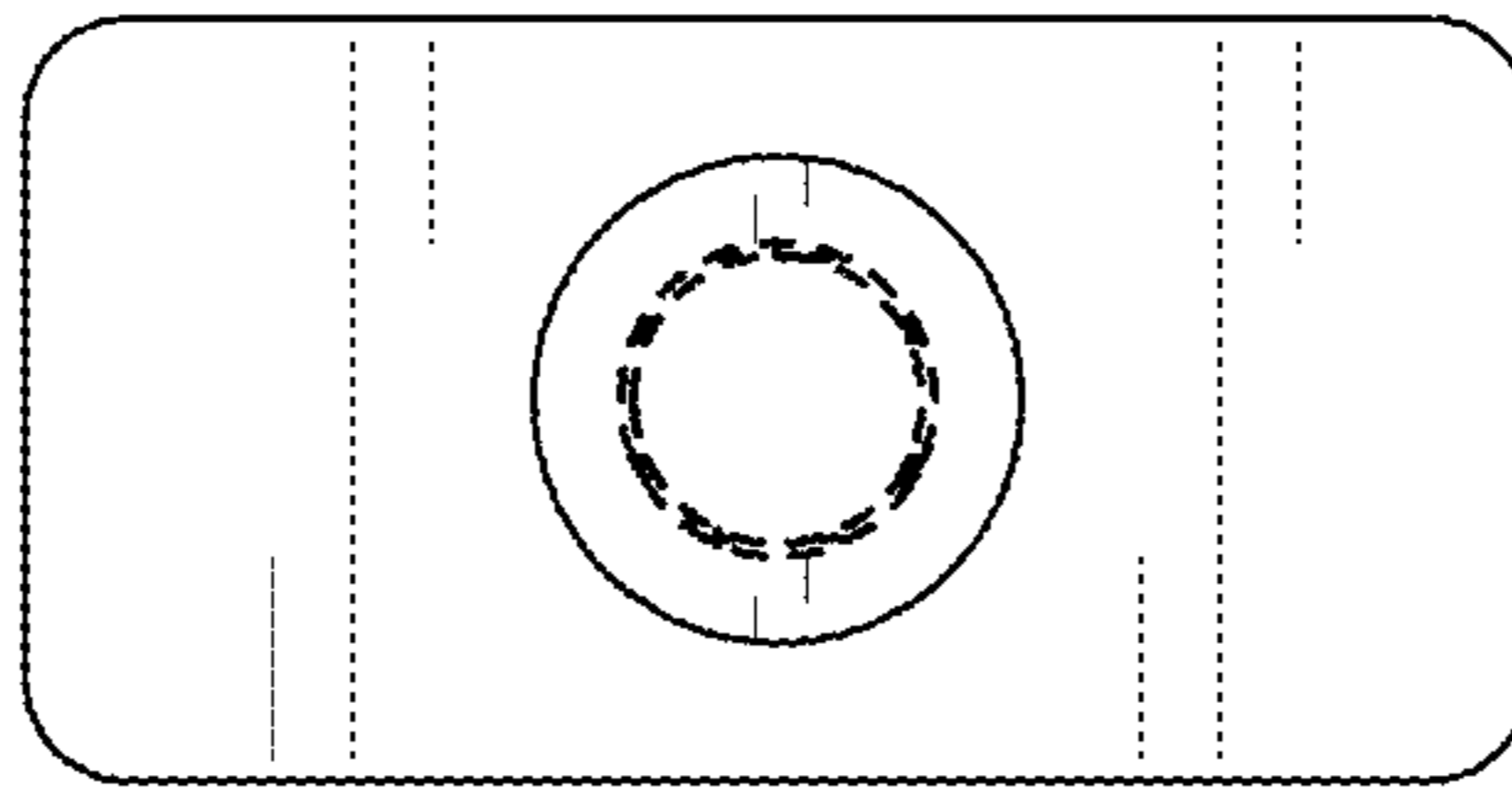


FIG. 4

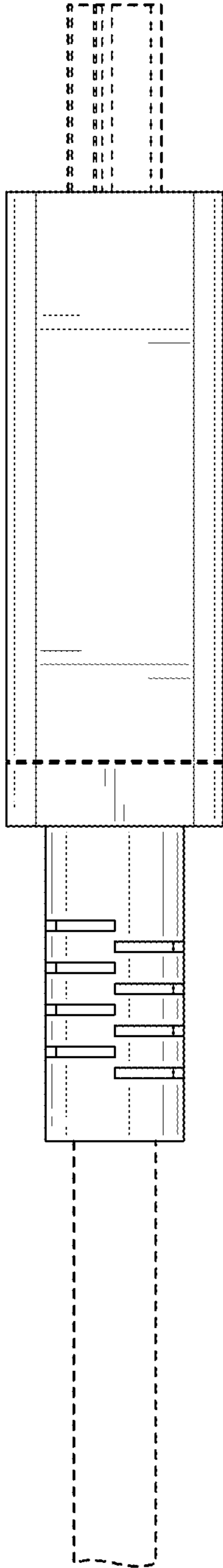


FIG. 5

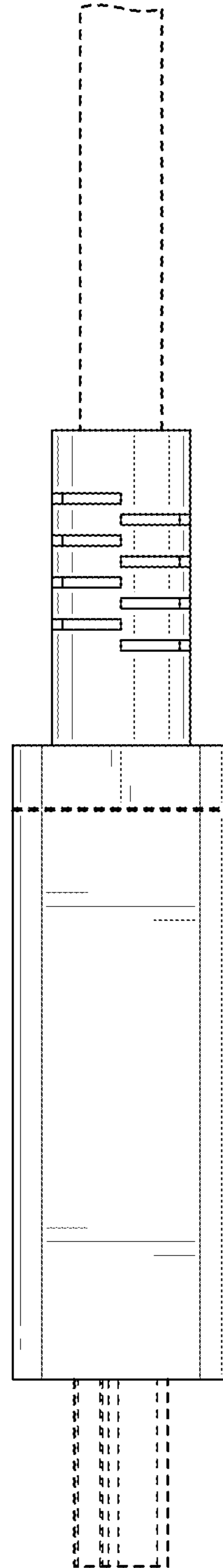


FIG. 6

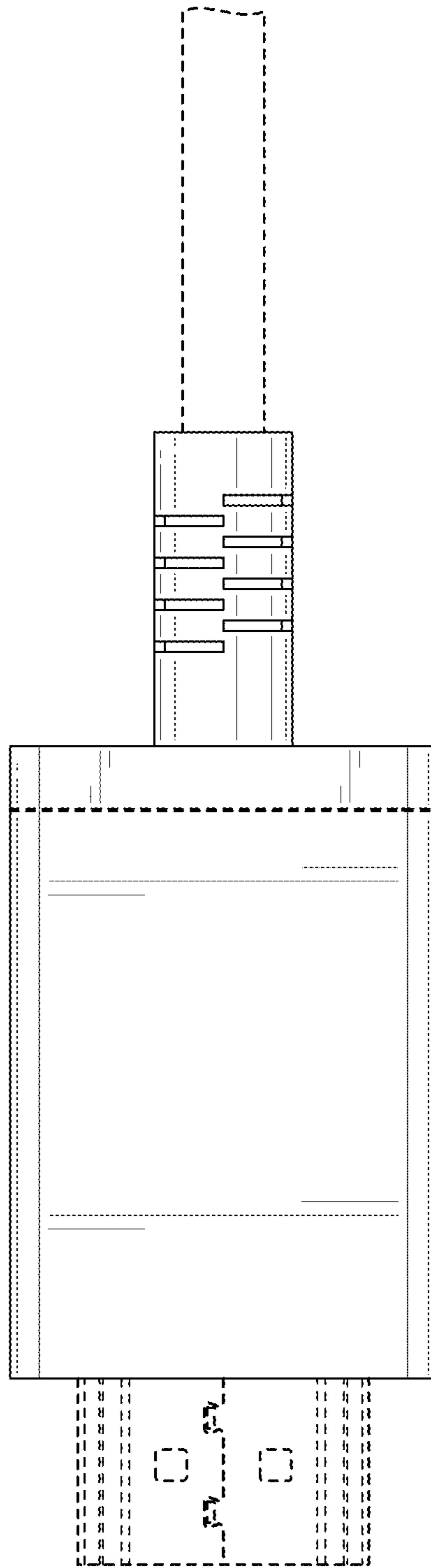


FIG. 7

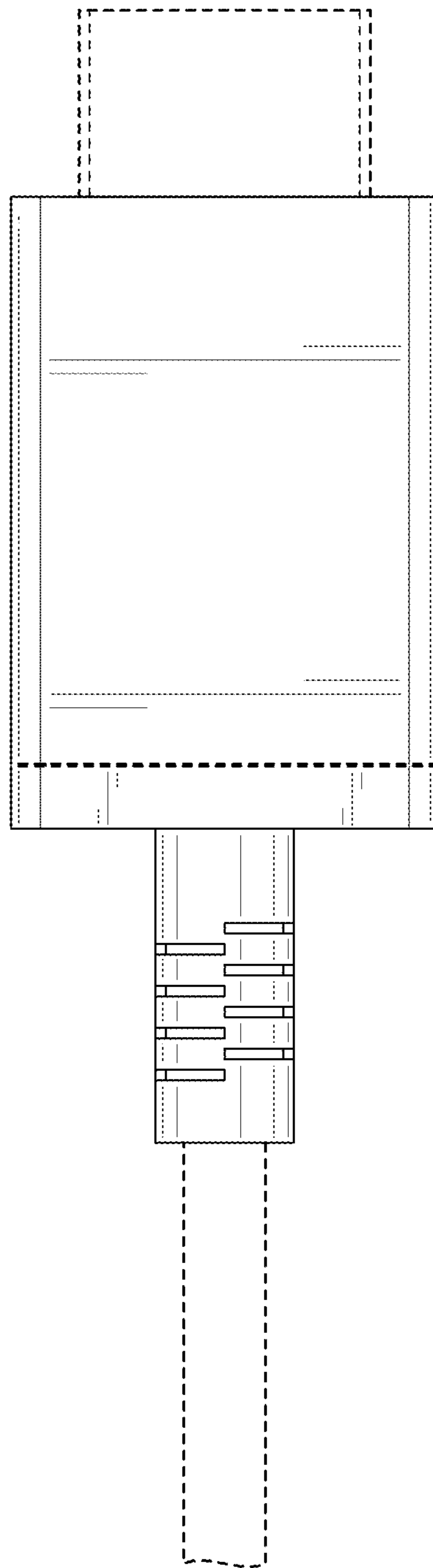


FIG. 8