

US00D895623S

(12) **United States Design Patent**
Pille et al.

(10) **Patent No.:** **US D895,623 S**

(45) **Date of Patent:** **** Sep. 8, 2020**

(54) **FRAME FOR SHIELDING ASSEMBLY**

7,926,166 B2 4/2011 Zuehlsdorf et al.
8,059,416 B2 * 11/2011 Li H05K 9/0032
361/752
D692,894 S * 11/2013 Chen D14/432

(71) Applicant: **Laird Technologies, Inc.**, Chesterfield,
MO (US)

(Continued)

(72) Inventors: **James D. Pille**, Ashley, IL (US);
Gerald R. English, Glen Ellyn, IL
(US); **Timothy M. Wrona**,
Schaumburg, IL (US)

OTHER PUBLICATIONS

Innovative Board-Level Shielding, Gore Snapshot EMI Shields,
gore.com/emi, Copyright 2015, 2 pages.

(Continued)

(73) Assignee: **Laird Technologies, Inc.**, Chesterfield,
MO (US)

Primary Examiner — Austin Murphy

(**) Term: **15 Years**

(74) *Attorney, Agent, or Firm* — Harness, Dickey &
Pierce, P.L.C.; Anthony G. Fussner

(21) Appl. No.: **29/665,695**

(57) **CLAIM**

(22) Filed: **Oct. 5, 2018**

The ornamental design for a frame for a shielding assembly,
as shown and described.

(51) **LOC (12) Cl.** **14-02**

(52) **U.S. Cl.**
USPC **D14/432**

DESCRIPTION

(58) **Field of Classification Search**
USPC D14/300–302, 308–313, 314, 348,
D14/353–355, 432, 439–446, 240;
361/679.02, 679.31, 679.5, 690, 694,
361/679.23, 801, 802; 312/332.1, 334.1;
D13/162; D10/50
CPC B65H 1/00; B65H 1/266; B65H 2402/441;
B65H 2405/311; B65H 2405/313
See application file for complete search history.

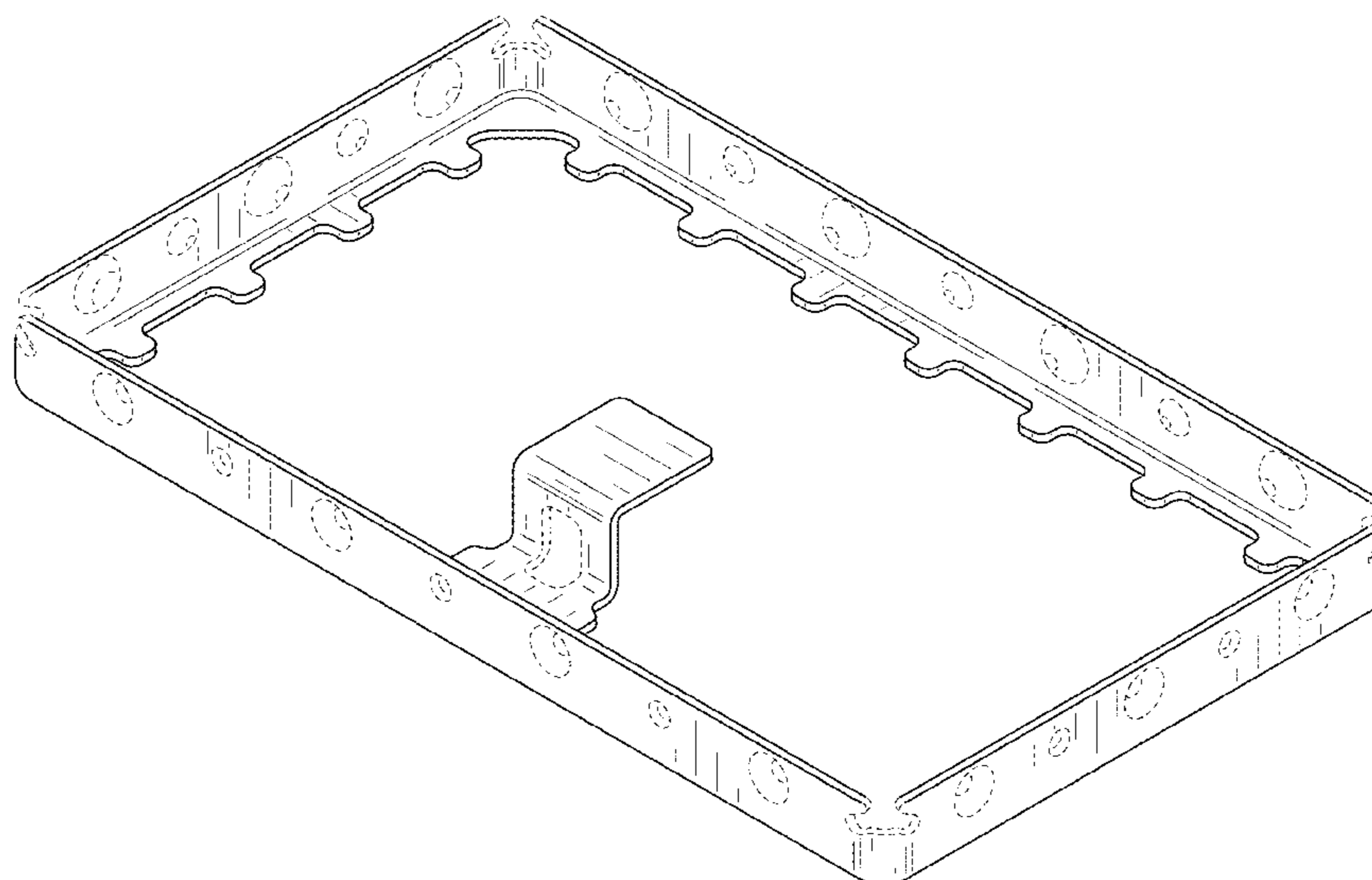
FIG. 1 is an upper perspective view of a frame for a
shielding assembly showing our new design;
FIG. 2 is a lower perspective view of the frame for a
shielding assembly shown in FIG. 1;
FIG. 3 is a top plan view of the frame for a shielding
assembly shown in FIG. 1;
FIG. 4 is a bottom plan view of the frame for a shielding
assembly shown in FIG. 1;
FIG. 5 is a front elevation view of the frame for a shielding
assembly shown in FIG. 1;
FIG. 6 is a back elevation of the frame for a shielding
assembly shown in FIG. 1;
FIG. 7 is a left side elevation view of the frame for a
shielding assembly shown in FIG. 1; and,
FIG. 8 is a right side elevation view of the frame for a
shielding assembly shown in FIG. 1.
In the drawings, the details shown in broken lines depict
environmental subject matter only and form no part of the
claimed design.

(56) **References Cited**

U.S. PATENT DOCUMENTS

5,095,177 A 3/1992 Johnson
5,353,201 A 10/1994 Maeda
6,169,665 B1 * 1/2001 Lepping H05K 9/0032
174/350
6,181,573 B1 1/2001 Riet
D522,517 S * 6/2006 Latawiec D14/432
7,429,192 B2 9/2008 Liao et al.
7,488,902 B2 2/2009 English et al.
7,916,500 B2 3/2011 Shi et al.

1 Claim, 6 Drawing Sheets



(56)

References Cited

U.S. PATENT DOCUMENTS

9,247,682 B2 1/2016 Watanabe
D846,547 S * 4/2019 Bunnell D14/432
D882,576 S * 4/2020 Crisp D14/432
2016/0113161 A1 4/2016 Ball et al.
2016/0227679 A1* 8/2016 English H05K 9/0024
2017/0135200 A1 5/2017 Chang et al.
2017/0171961 A1 6/2017 Ball et al.
2017/0231123 A1* 8/2017 Ball H05K 9/0037
2018/0007783 A1* 1/2018 Crotty, Jr. H05K 9/0032

OTHER PUBLICATIONS

Nonfinal Office Action for U.S. Appl. No. 16/591,029 which names the same inventors and Assignee/Applicant as the instant application but is not related through a priority claim; dated Feb. 24, 2020, 7 pages.

* cited by examiner

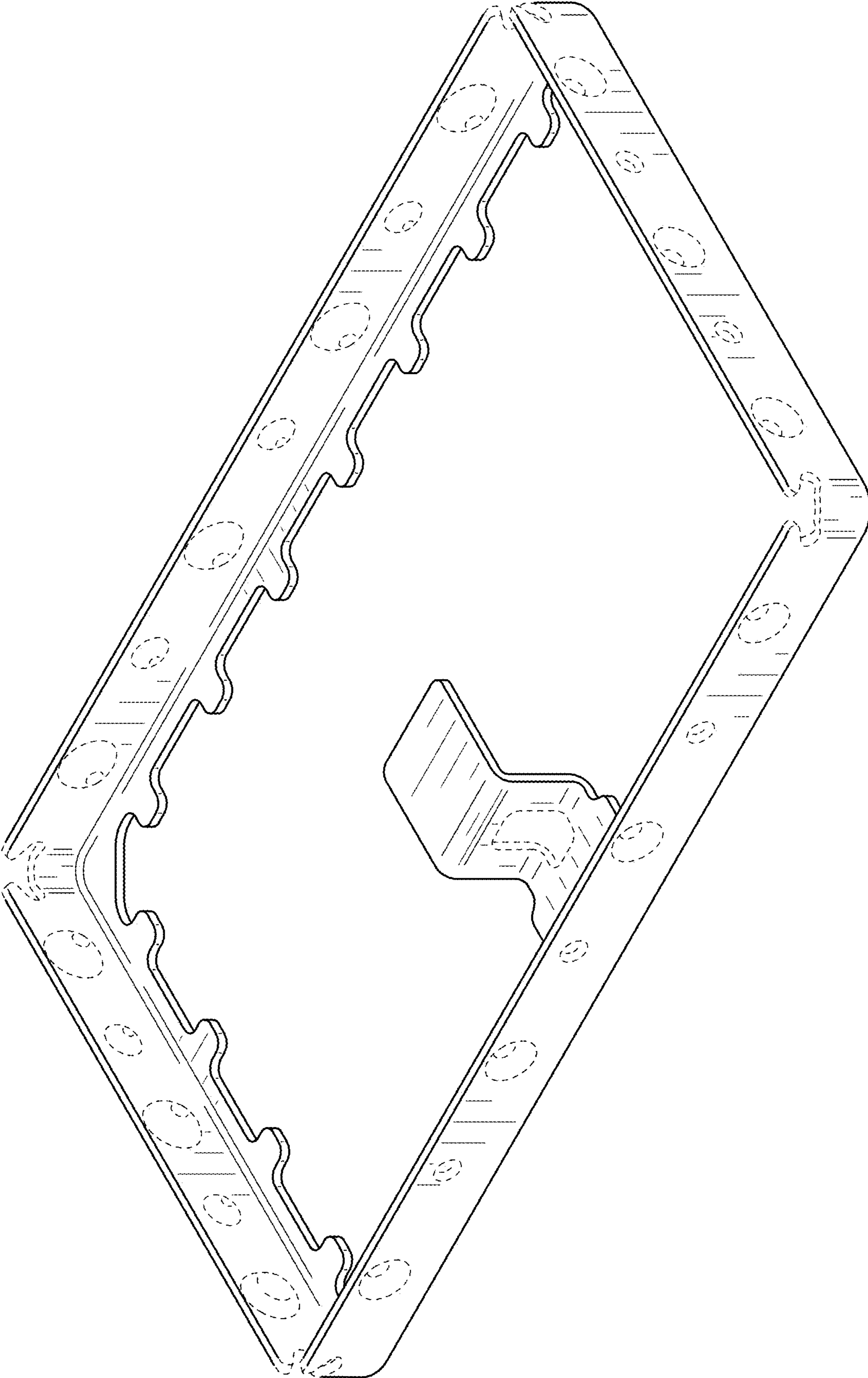


FIG. 1

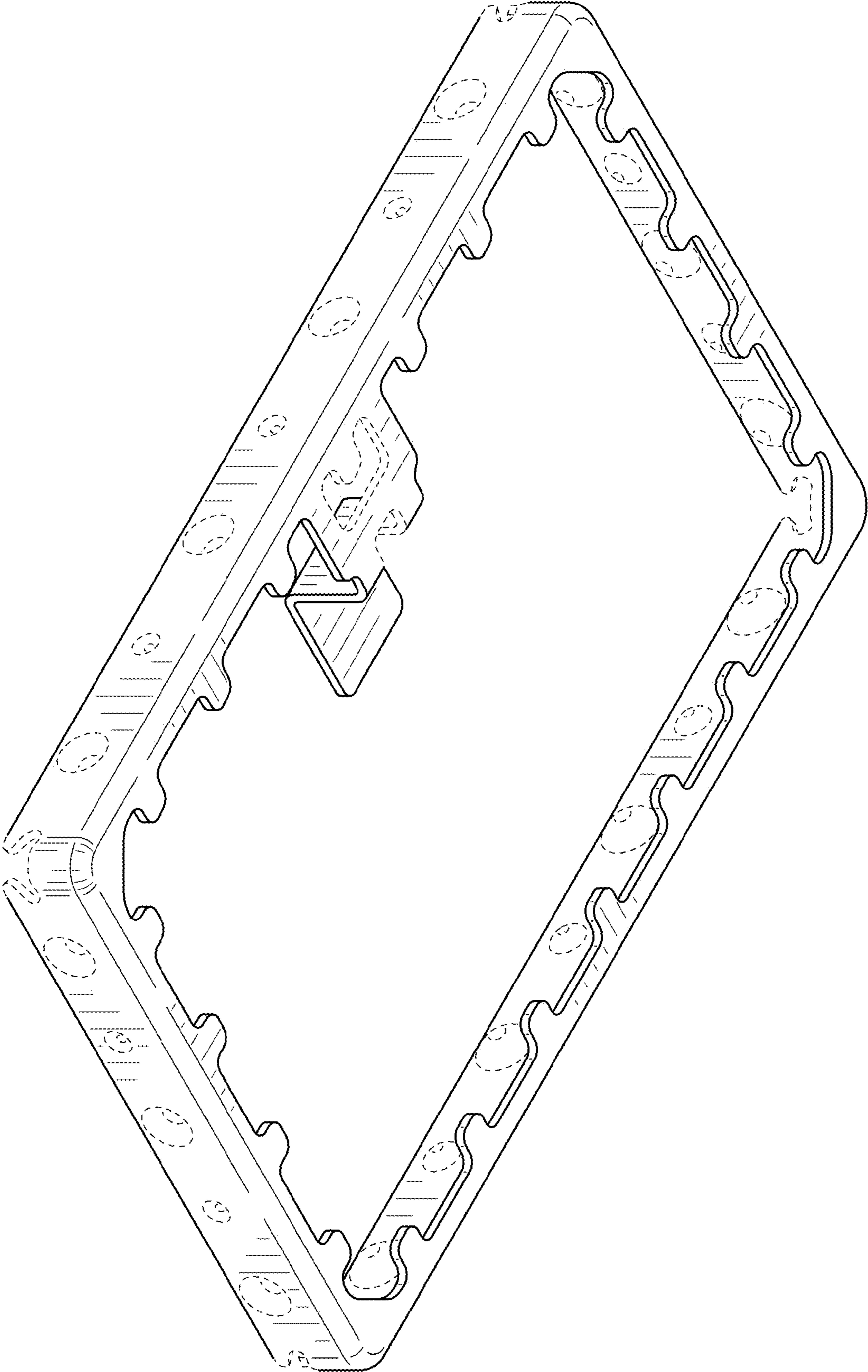


FIG. 2

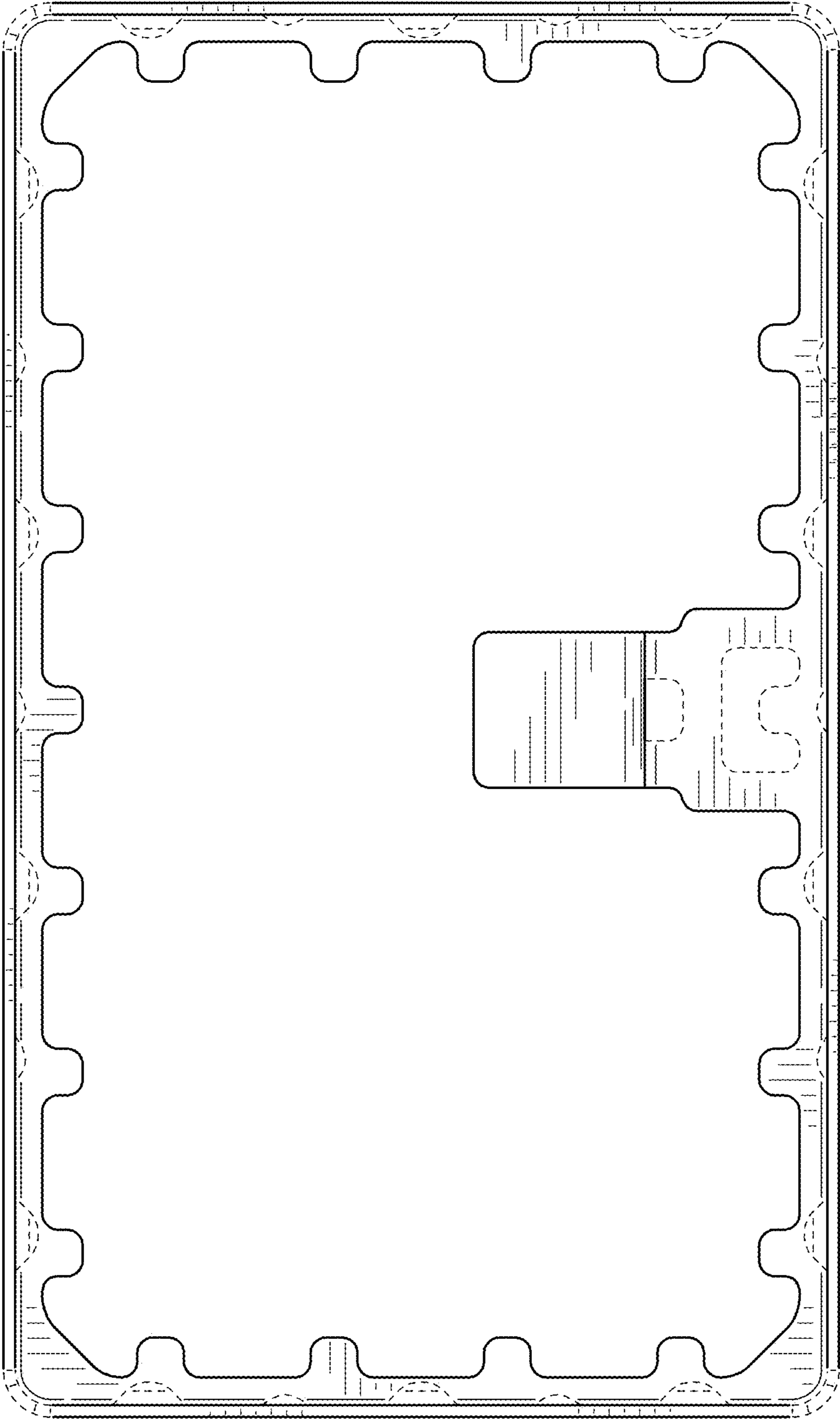


FIG. 3

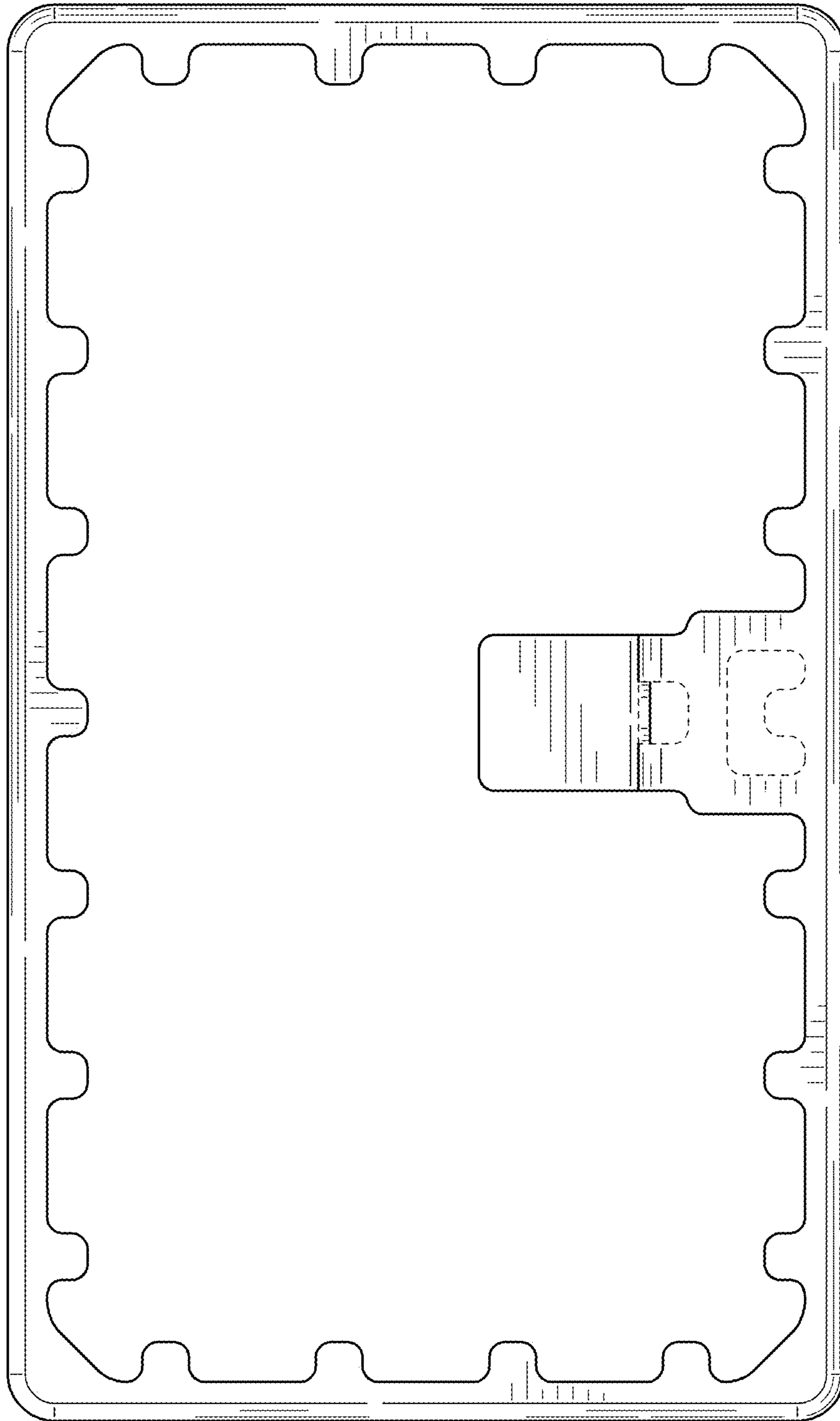


FIG. 4

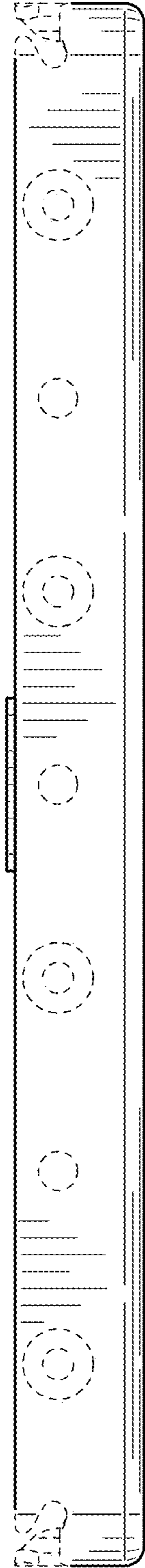


FIG. 5

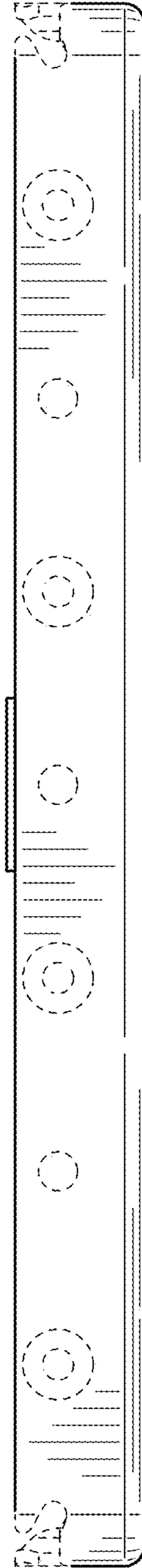


FIG. 6

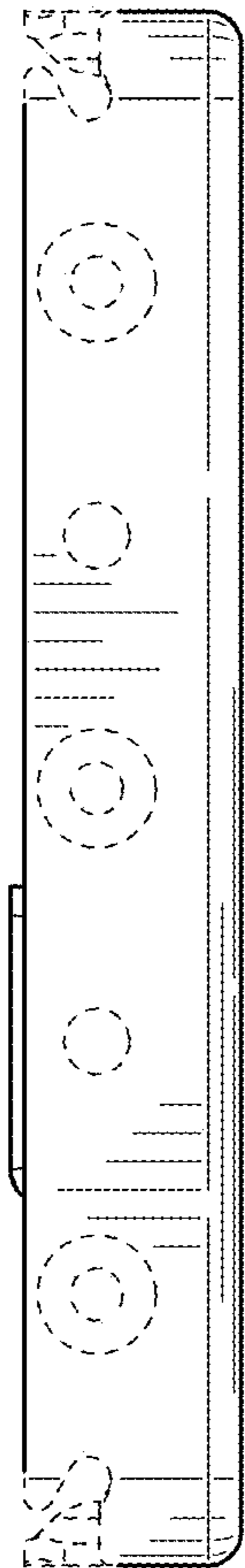


FIG. 7

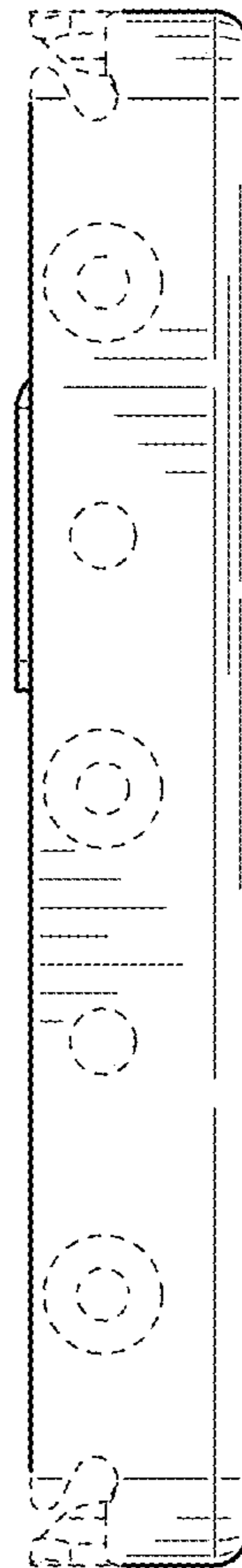


FIG. 8