



US00D895621S

(12) **United States Design Patent** (10) **Patent No.:** **US D895,621 S**  
**Peng** (45) **Date of Patent:** **\*\* Sep. 8, 2020**

(54) **SCANNER**

(71) Applicant: **AVISION INC.**, Hsinchu (TW)

(72) Inventor: **Chao-Yu Peng**, Hsinchu (TW)

(73) Assignee: **AVISION INC.**, Hsinchu (TW)

(\*\*) Term: **15 Years**

(21) Appl. No.: **29/687,291**

(22) Filed: **Apr. 11, 2019**

(30) **Foreign Application Priority Data**

Mar. 19, 2019 (TW) ..... 108301564

(51) **LOC (12) Cl.** ..... **14-02**

(52) **U.S. Cl.**

USPC ..... **D14/422**

(58) **Field of Classification Search**

USPC ..... D14/421-425; D18/40, 36-39, 41,  
D18/44-56; 235/462, 455, 470, 462.43,  
235/482, 483; 358/474, 486, 488, 496,  
358/498, 452, 449, 451, 453.1, 1.13, 1.16;  
318/685, 696; 355/81, 75; 399/405, 367,  
399/379, 380; 382/217; 715/209, 222,  
715/226, 274; 400/613, 613.1-613.4,  
400/690.1-690.4, 691-694; 271/264,  
271/127, 131, 117, 118, 162

CPC ..... H04N 1/00; H04N 1/12; H04N 1/00013;  
H04N 1/00015; H04N 1/00018; H04N  
1/00026; H04N 1/00557; H04N 1/00564;  
H04N 1/00567; H04N 1/0057; H04N  
1/00572; H04N 1/00586; H04N 1/00588;  
H04N 1/00591; H04N 1/00594; H04N  
1/00596; H04N 1/00604; H04N 1/00519;  
H04N 1/00559; H04N 1/10; H04N  
1/00551; H04N 1/00278; H04N  
2201/0081; H04N 2201/0456; H04N  
2201/0446; H04N 2201/00; H04N  
2201/0094; H04N 1/00525; H04N  
1/0049; H04N 1/00493; H04N 1/00496;  
H04N 1/00527; H04N 1/0053; H04N

1/00533; H04N 1/00535; H04N 1/00538;  
H04N 1/00541; H04N 1/00543; H04N  
1/00037; H04N 1/00092; H04N 1/00702;  
H04N 1/02815; H04N 1/4076; H04N  
1/02845; H04N 1/1013; H04N 1/40056;  
G03G 15/0142; G03G 15/605;  
(Continued)

(56) **References Cited**

U.S. PATENT DOCUMENTS

D400,571 S \* 11/1998 Shimizu ..... D18/54  
D401,271 S \* 11/1998 Nakajima ..... D18/55

(Continued)

FOREIGN PATENT DOCUMENTS

CN 303755576 S 7/2016

*Primary Examiner* — Susan Moon Lee

(74) *Attorney, Agent, or Firm* — Winston Hsu

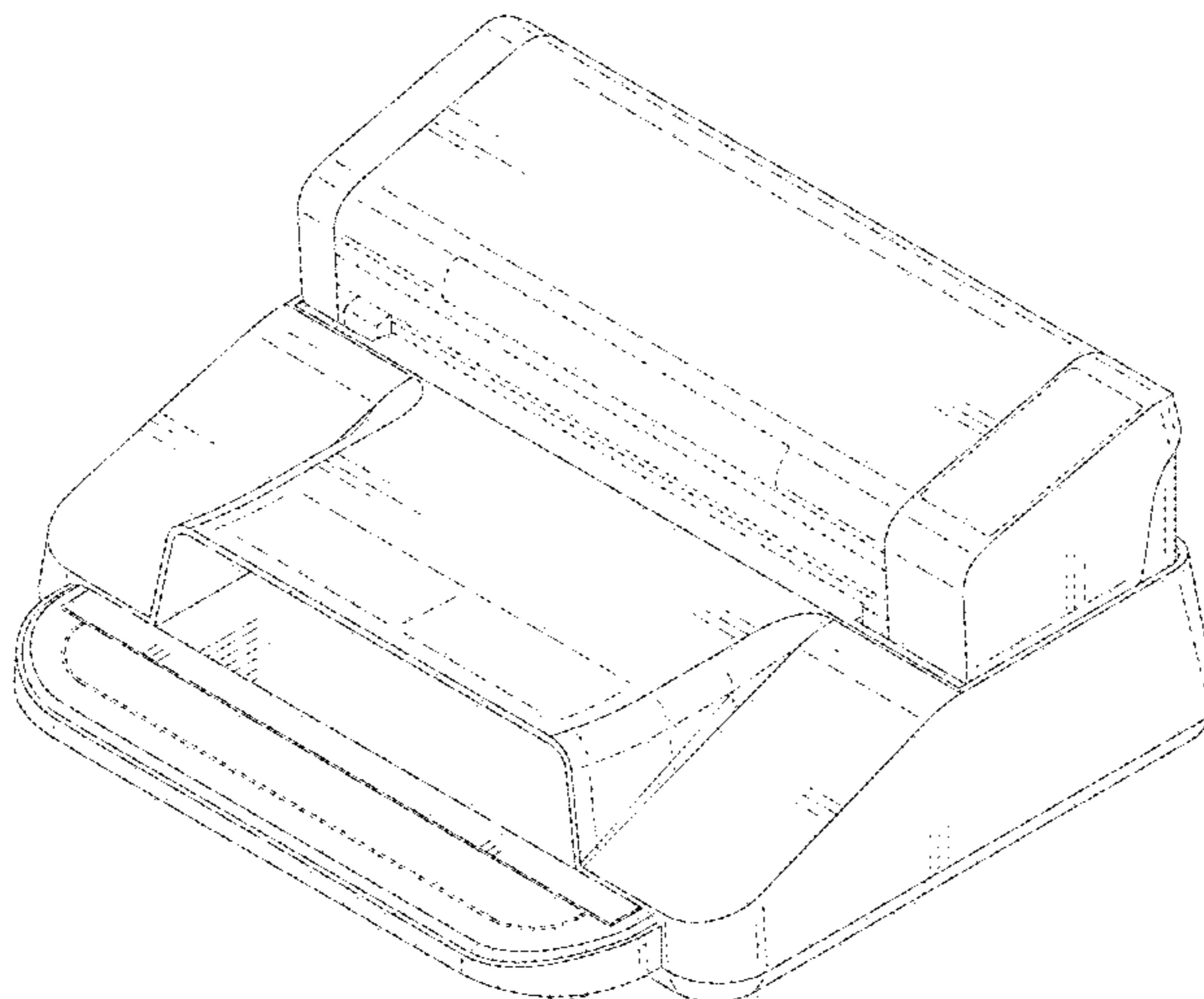
(57) **CLAIM**

The ornamental design for a scanner, as shown and described.

**DESCRIPTION**

FIG. 1 is a top, front, and right side perspective view for a scanner showing my new design;  
FIG. 2 is a top, rear, and left side perspective view thereof;  
FIG. 3 is a bottom, front, and left side perspective view thereof;  
FIG. 4 is a front elevation view thereof;  
FIG. 5 is a rear elevation view thereof;  
FIG. 6 is a left side elevation view thereof;  
FIG. 7 is a right side elevation view thereof;  
FIG. 8 is a top plan view thereof; and,  
FIG. 9 is a bottom plan view thereof.  
The broken lines depict portions of the scanner that form no part of the claimed design.

**1 Claim, 9 Drawing Sheets**



(58) **Field of Classification Search**

CPC ..... G03G 15/602; B65H 5/26; B65H 5/30;  
 B65H 7/00; B65H 2402/515; B65H  
 2402/31; B65H 2511/20; B65H 2511/414;  
 B65H 2511/00194; B65H 2511/00198;  
 B65H 2511/00202; B65H 2511/00206;  
 B65H 2301/00; B65H 2220/04; B65H  
 3/5261; B65H 2513/42

See application file for complete search history.

(56) **References Cited**

U.S. PATENT DOCUMENTS

D433,442 S \* 11/2000 Clark, III ..... 14/2  
 D440,509 S \* 4/2001 Greene ..... D30/199  
 D448,381 S \* 9/2001 Chen ..... D14/422  
 6,367,996 B1 \* 4/2002 Edwards ..... B41J 11/42  
 400/279  
 D459,389 S \* 6/2002 Kaseno ..... D18/50  
 D462,087 S \* 8/2002 Dwyer ..... D18/55  
 D466,923 S \* 12/2002 Dwyer ..... D18/55  
 D466,924 S \* 12/2002 Wong ..... D18/55  
 D523,469 S \* 6/2006 Hwang ..... D18/50  
 7,222,589 B2 \* 5/2007 Lee, IV ..... A01K 15/022  
 119/718  
 D549,705 S \* 8/2007 Sugitani ..... D14/422  
 D609,711 S \* 2/2010 Kuroda ..... D14/422  
 D610,146 S \* 2/2010 Kuroda ..... D14/422  
 D610,147 S \* 2/2010 Kuroda ..... D14/422  
 D610,148 S \* 2/2010 Kuroda ..... D14/422  
 D610,149 S \* 2/2010 Kuroda ..... D14/422  
 D610,154 S \* 2/2010 Kuroda ..... D14/422  
 D610,155 S \* 2/2010 Kuroda ..... D14/422  
 D616,889 S \* 6/2010 Kuroda ..... D14/422  
 7,918,578 B2 \* 4/2011 Spartano ..... F21V 29/89  
 362/105  
 8,169,669 B2 \* 5/2012 Yoshida ..... H04N 1/00525  
 358/400  
 D669,081 S \* 10/2012 Iwai ..... D14/422  
 D687,436 S \* 8/2013 Penke ..... D14/422  
 D699,758 S \* 2/2014 Lavin ..... D14/496  
 D700,908 S \* 3/2014 Taniho ..... D14/422  
 8,699,101 B2 \* 4/2014 Mukai ..... H04N 1/00533  
 271/118  
 D706,159 S \* 6/2014 Ma ..... D11/3  
 8,746,681 B2 \* 6/2014 Mizuno ..... B65H 1/04  
 271/145  
 D713,845 S \* 9/2014 Taniho ..... D14/422  
 D716,305 S \* 10/2014 Tani ..... D14/422  
 D718,314 S \* 11/2014 Chan ..... D14/422  
 D719,168 S \* 12/2014 Tani ..... D14/422  
 D723,034 S \* 2/2015 Chin ..... D14/422  
 D723,562 S \* 3/2015 Inada ..... D14/422  
 D725,323 S \* 3/2015 Fang ..... D10/104.1  
 D725,324 S \* 3/2015 Schrick ..... D10/104.1  
 D762,506 S \* 8/2016 Windstrup ..... D10/106.7  
 9,415,954 B2 \* 8/2016 Ukai ..... B65H 1/02  
 D766,246 S \* 9/2016 Inada ..... D14/422  
 D771,039 S \* 11/2016 Windstrup ..... D14/356

D780,181 S \* 2/2017 Peng ..... D14/422  
 D788,999 S \* 6/2017 Zinn ..... D30/152  
 D794,640 S \* 8/2017 Shigeno ..... D14/422  
 D797,744 S \* 9/2017 Tan ..... D14/422  
 D800,077 S \* 10/2017 Windstrup ..... D13/162.1  
 9,860,394 B2 \* 1/2018 Kanaya ..... H04N 1/00013  
 D813,871 S \* 3/2018 Egami ..... D14/422  
 9,999,201 B2 \* 6/2018 Lutz ..... A01K 27/006  
 D836,858 S \* 12/2018 Zinn ..... D30/199  
 D844,004 S \* 3/2019 Ishida ..... D14/422  
 D845,951 S \* 4/2019 Shigeno ..... D14/422  
 D861,690 S \* 10/2019 Shibuya ..... D14/422  
 D880,082 S \* 3/2020 Zinn ..... D30/152  
 D881,887 S \* 4/2020 Peng ..... D14/422  
 2007/0086182 A1 \* 4/2007 Kelly ..... B68B 5/00  
 362/108  
 2007/0188818 A1 \* 8/2007 Westcott ..... H04N 1/00583  
 358/296  
 2009/0128343 A1 \* 5/2009 Wu ..... A63H 3/003  
 340/573.1  
 2009/0230611 A1 \* 9/2009 Ngai ..... H04N 1/00525  
 271/145  
 2010/0050954 A1 \* 3/2010 Lee, IV ..... A01K 15/022  
 119/718  
 2010/0053701 A1 \* 3/2010 Yoshida ..... H04N 1/00535  
 358/474  
 2010/0060948 A1 \* 3/2010 Yoshida ..... H04N 1/00554  
 358/474  
 2011/0109461 A1 \* 5/2011 Aninye ..... G08B 21/0288  
 340/573.4  
 2012/0122519 A1 \* 5/2012 Jochheim ..... H01Q 9/0407  
 455/556.1  
 2013/0056923 A1 \* 3/2013 Kuriki ..... B65H 1/02  
 271/145  
 2013/0056924 A1 \* 3/2013 Mizuno ..... B65H 31/00  
 271/162  
 2013/0057932 A1 \* 3/2013 Mukai ..... H04N 1/00535  
 358/498  
 2013/0134667 A1 \* 5/2013 Nakayama ..... B65H 5/06  
 271/275  
 2013/0135697 A1 \* 5/2013 Ukai ..... H04N 1/00543  
 358/498  
 2013/0163056 A1 \* 6/2013 Hanayama ..... H04N 1/0005  
 358/474  
 2013/0258686 A1 \* 10/2013 Ford ..... F21V 19/02  
 362/396  
 2014/0061998 A1 \* 3/2014 Kasashima ..... B65H 5/06  
 271/10.11  
 2014/0063573 A1 \* 3/2014 Yonemura ..... H04N 1/00244  
 358/498  
 2014/0261233 A1 \* 9/2014 So ..... A01K 27/009  
 119/720  
 2017/0267476 A1 \* 9/2017 Miyagi ..... B65H 3/063  
 2017/0279991 A1 \* 9/2017 Shiota ..... B65H 3/0653  
 2018/0007221 A1 \* 1/2018 Mokuo ..... H04N 1/00591  
 2018/0091695 A1 \* 3/2018 Suzuki ..... H01L 27/14689  
 2018/0170695 A1 \* 6/2018 Kitsuki ..... H04N 1/00588  
 2018/0176398 A1 \* 6/2018 Harada ..... B65H 31/22  
 2018/0194579 A1 \* 7/2018 Harada ..... B65H 3/0653

\* cited by examiner

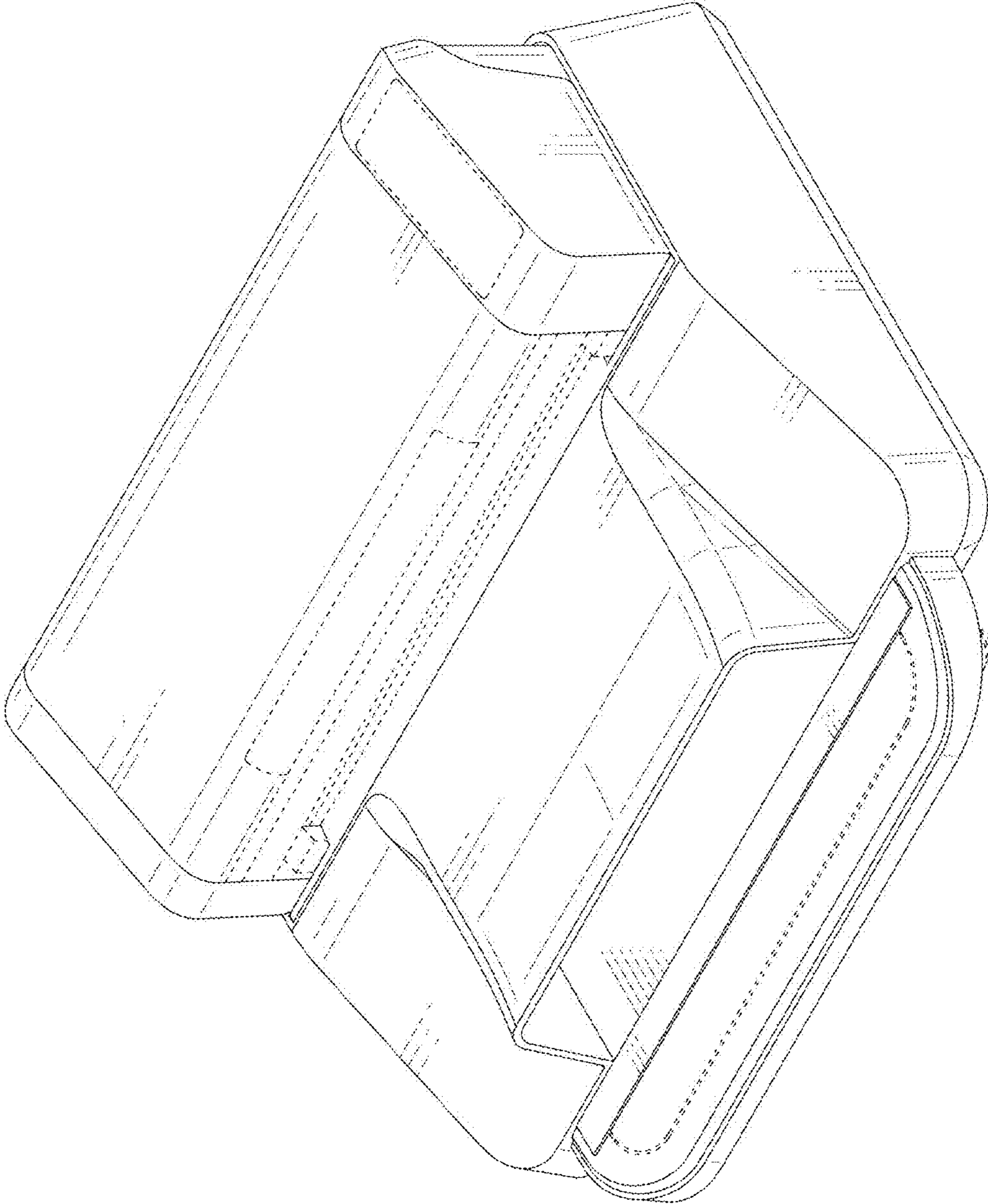


FIG. 1

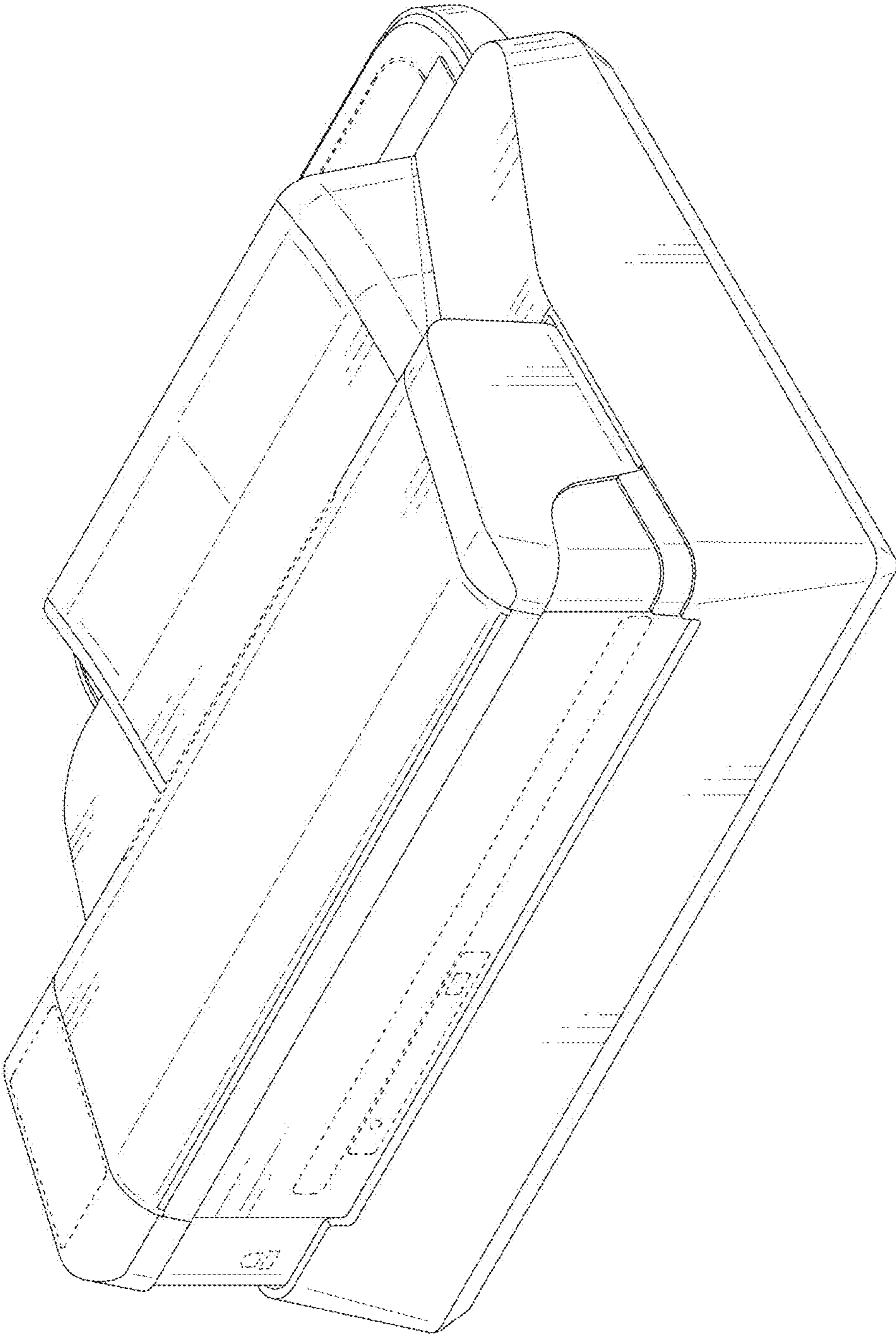


FIG. 2

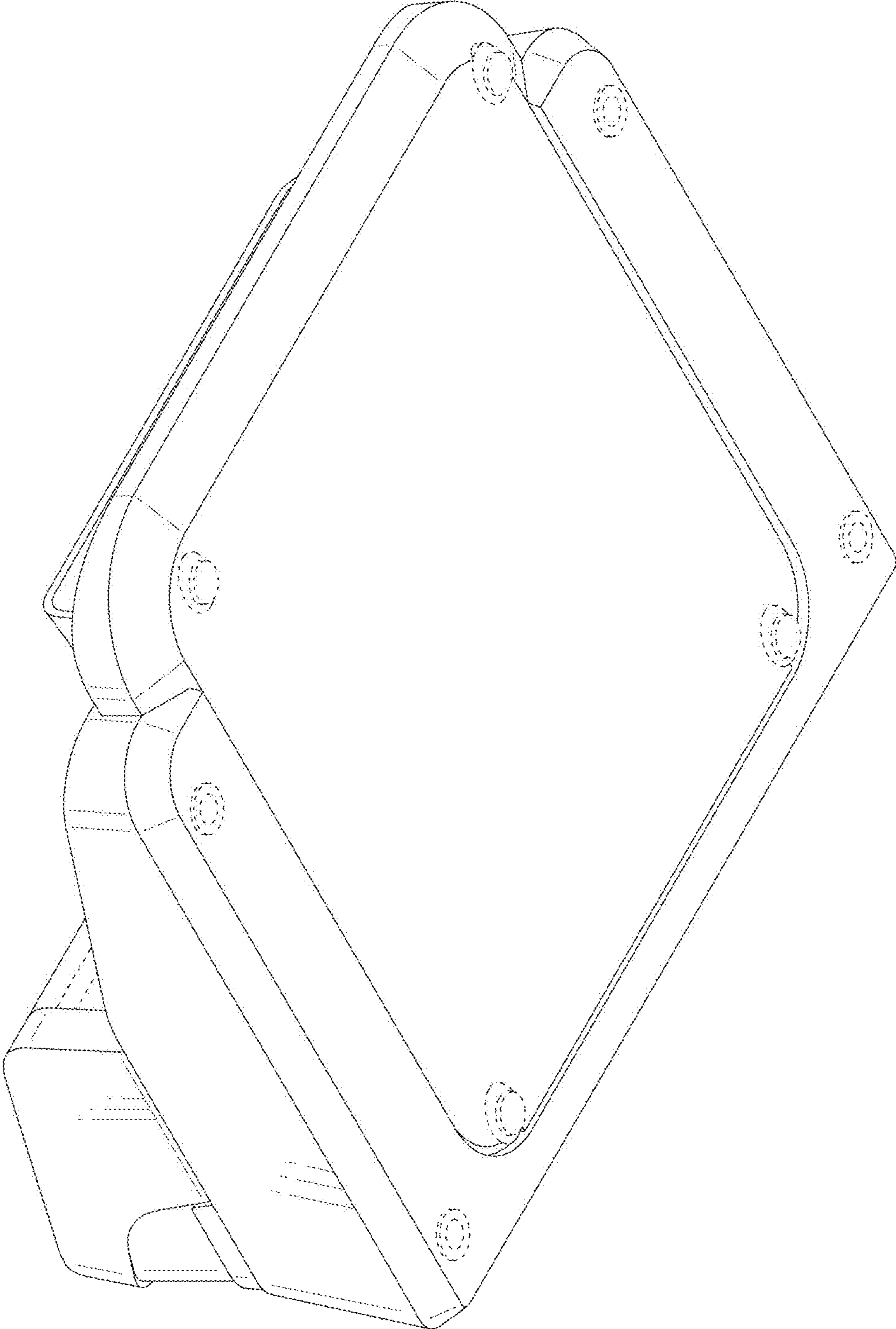


FIG. 3

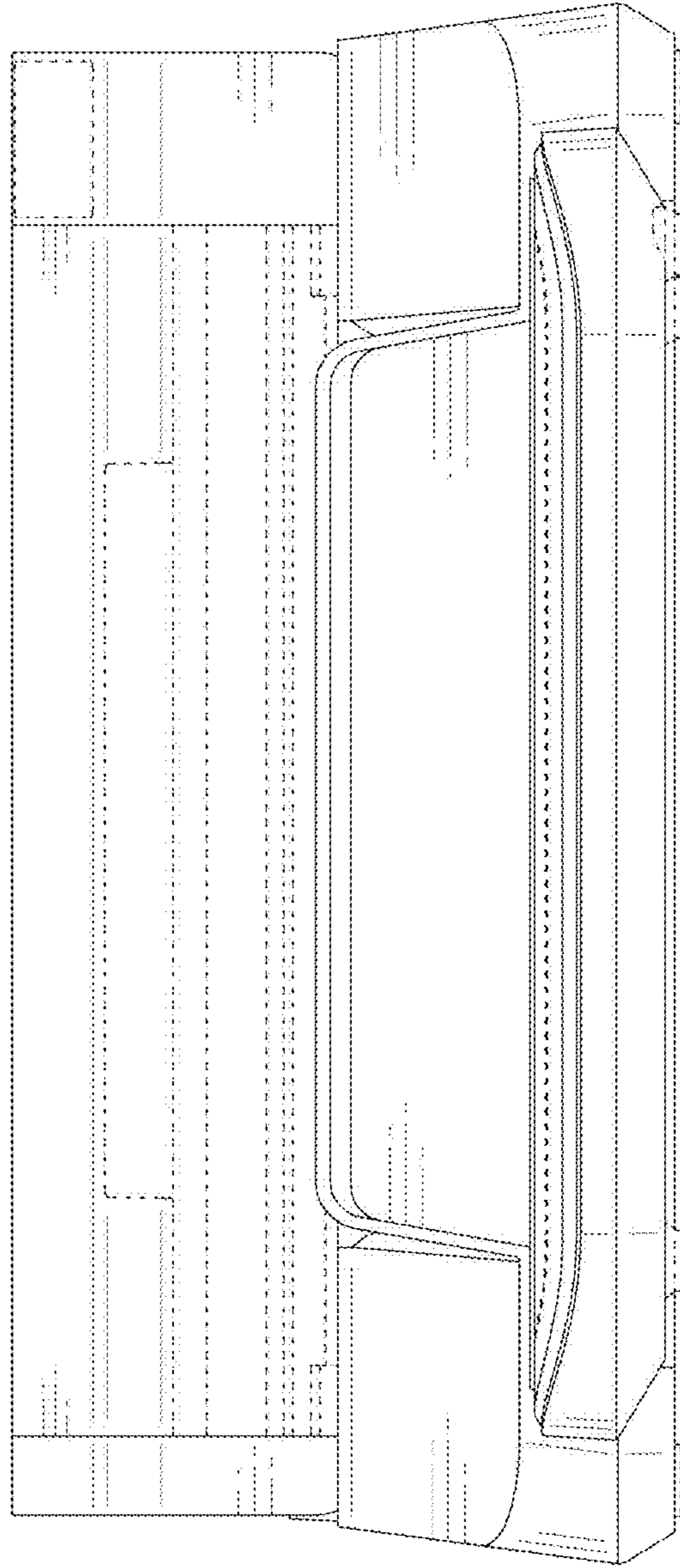


FIG. 4

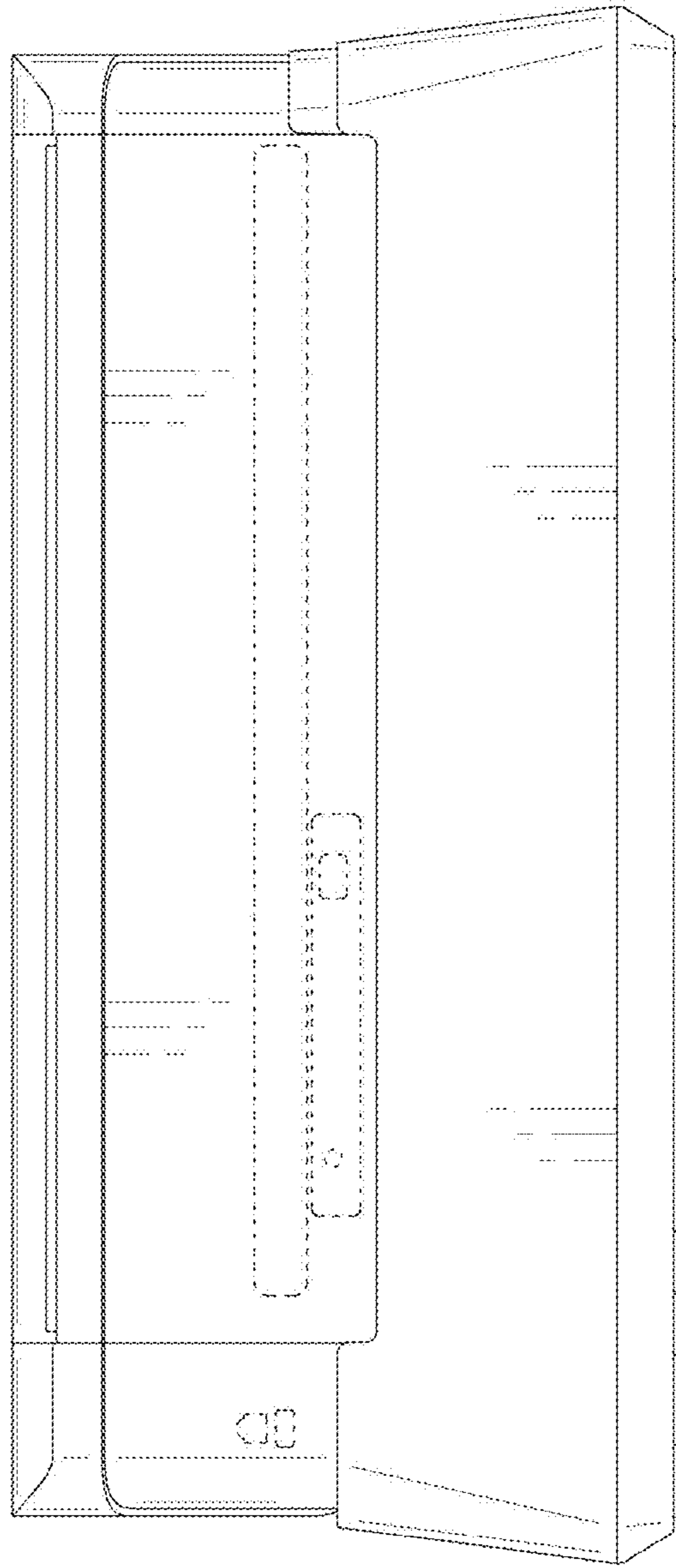


FIG. 5

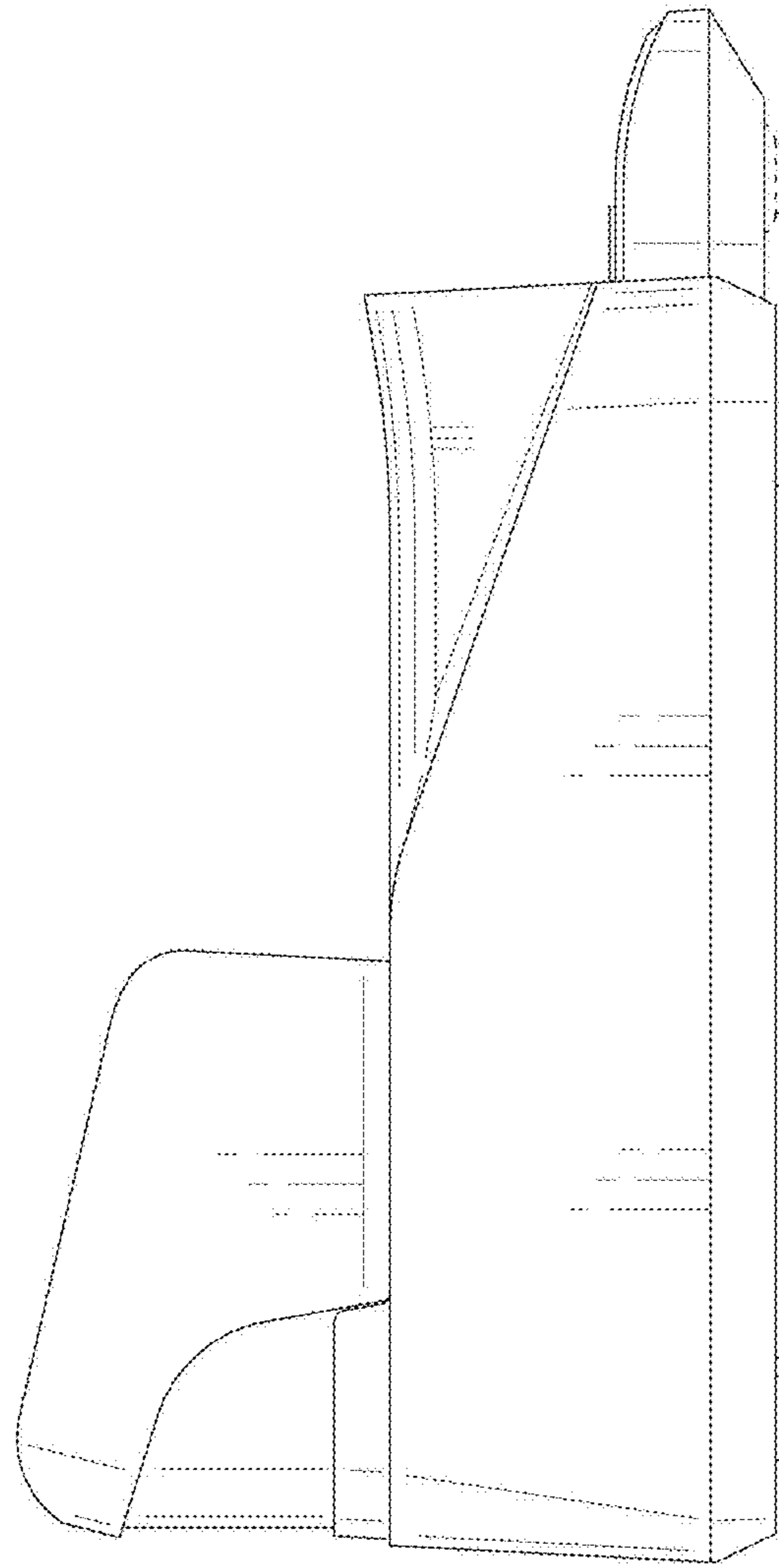


FIG. 6



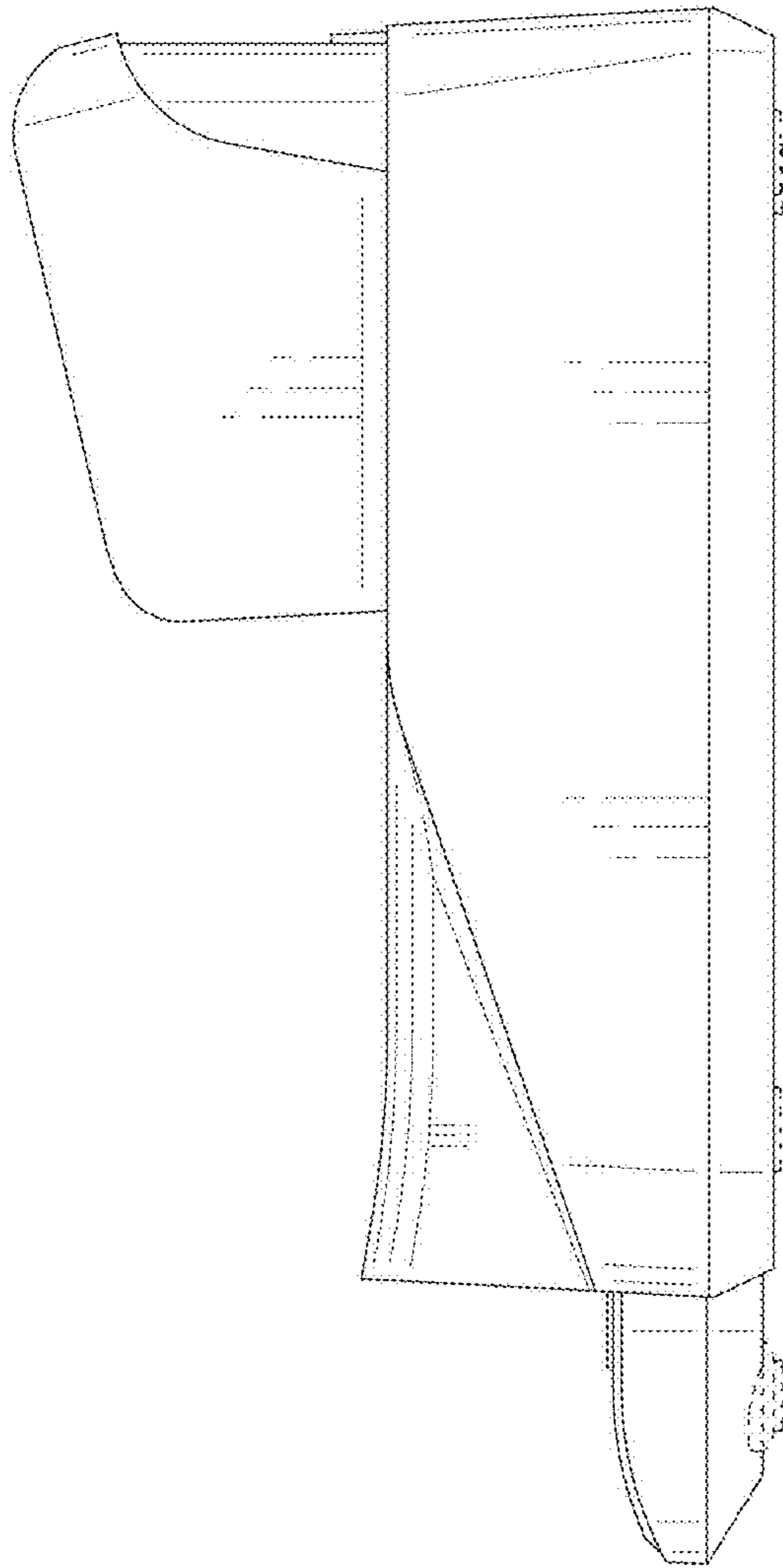


FIG. 7

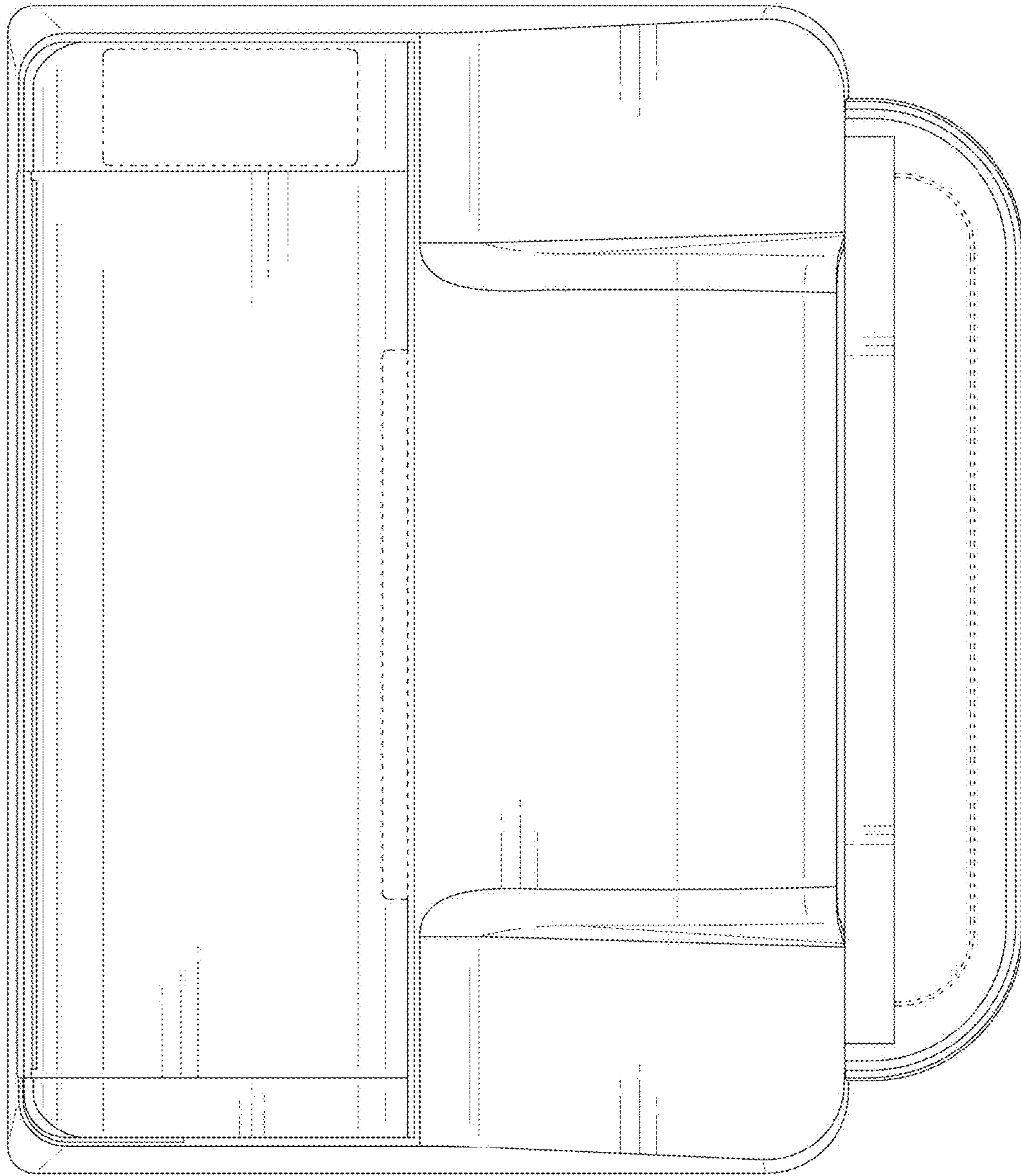


FIG. 8

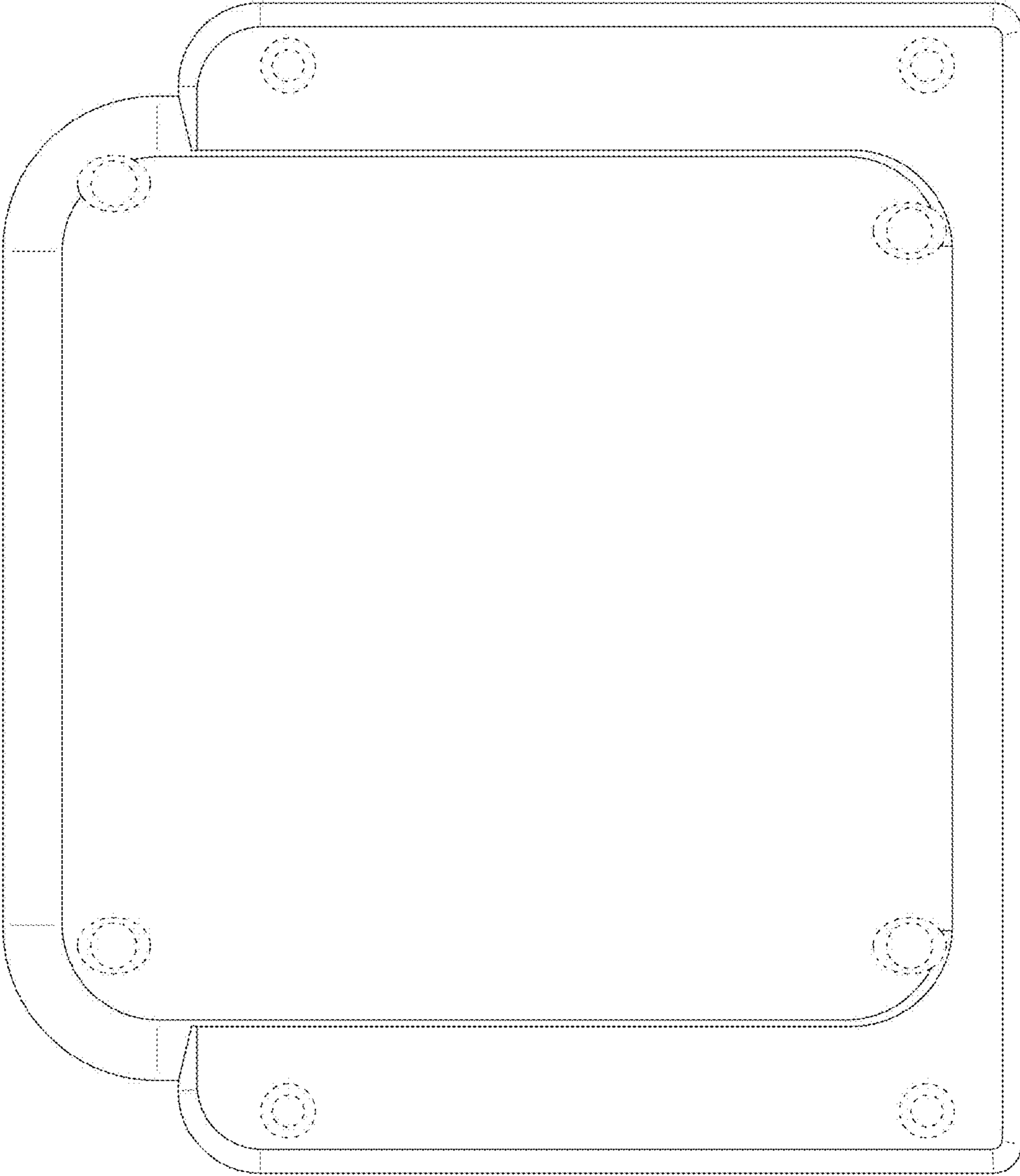


FIG. 9