



US00D895619S

(12) **United States Design Patent**  
**Harju et al.**

(10) **Patent No.:** **US D895,619 S**

(45) **Date of Patent:** **\*\* Sep. 8, 2020**

(54) **STYLUS**

(71) Applicant: **Microsoft Corporation**, Redmond, WA (US)

(72) Inventors: **Jonne Aapi Harju**, Seattle, WA (US);  
**Young Soo Kim**, Bellevue, WA (US);  
**Kae-Ling J. Gurr**, Seattle, WA (US);  
**Ryan Eugene Whitaker**, Seattle, WA (US);  
**Timothy G. Escolin**, Seattle, WA (US);  
**Yan Shang**, Redmond, WA (US)

(73) Assignee: **Microsoft Corporation**, Redmond, WA (US)

(\*\*) Term: **15 Years**

(21) Appl. No.: **29/689,648**

(22) Filed: **Apr. 30, 2019**

(51) **LOC (12) Cl.** ..... **14-02**

(52) **U.S. Cl.**  
USPC ..... **D14/411**

(58) **Field of Classification Search**  
USPC ..... D14/372, 496, 432, 371, 125, 126, 129,  
D14/299, 411; D16/300-342; 351/158,  
351/153, 144; 345/7-9, 905; 455/344;  
348/115, 53, 121, 739  
CPC ..... G02B 27/017; G06F 3/016; G06F 3/033;  
G06F 3/0317; G06F 3/03545; G06F  
3/041; G06K 9/222  
See application file for complete search history.

(56) **References Cited**

**U.S. PATENT DOCUMENTS**

D715,298 S \* 10/2014 Hong ..... D14/411  
D717,301 S 11/2014 Groene et al.  
D717,798 S 11/2014 Groene et al.  
D724,086 S 3/2015 Schoenert et al.  
D725,114 S \* 3/2015 Roskopp ..... D14/411  
D754,129 S \* 4/2016 Kao ..... D14/411

D768,133 S 10/2016 Reed et al.  
D784,991 S \* 4/2017 Chang ..... D14/411  
D799,487 S \* 10/2017 Nishizawa ..... D14/411  
D802,592 S \* 11/2017 Varghese ..... D14/411  
D825,566 S 8/2018 Peterson et al.  
D832,840 S \* 11/2018 Shi ..... D14/411  
D848,425 S \* 5/2019 Lam ..... D14/411  
D848,426 S \* 5/2019 Nishizawa ..... D14/411

(Continued)

**OTHER PUBLICATIONS**

“Office Action Issued in European Patent Application No. 007136791”,  
dated Nov. 11, 2019, 2 Pages.

(Continued)

*Primary Examiner* — Austin Murphy

(74) *Attorney, Agent, or Firm* — Banner & Witcoff, Ltd.

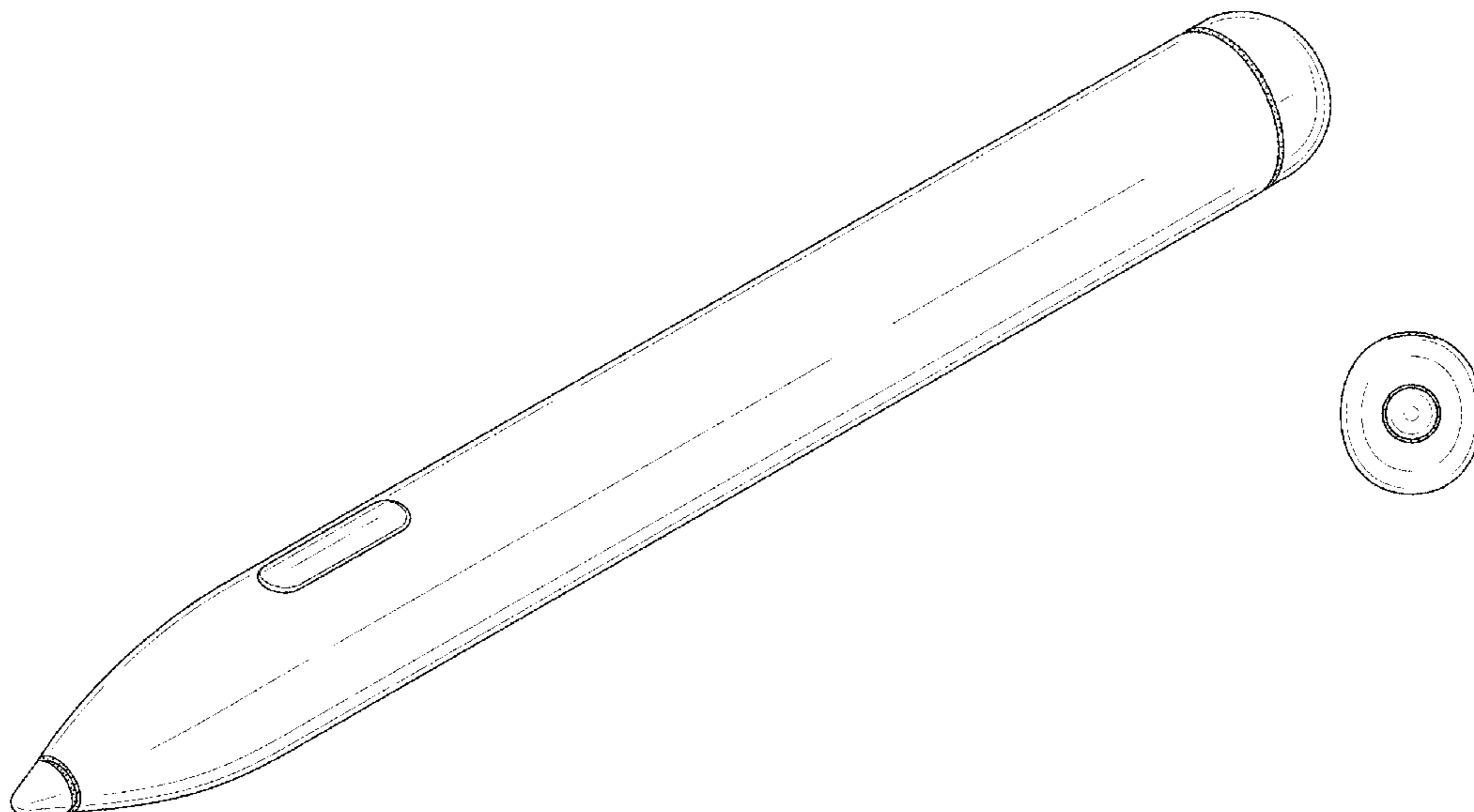
(57) **CLAIM**

The ornamental design for a stylus, as shown and described.

**DESCRIPTION**

FIG. 1 is a perspective view of a stylus showing our new design;  
FIG. 2 is a top view thereof;  
FIG. 3 is a bottom view thereof;  
FIG. 4 is a left side view thereof;  
FIG. 5 is a right side view thereof;  
FIG. 6 is a front view thereof;  
FIG. 7 is a rear view thereof;  
FIG. 8 is an enlarged view of the encircled portion labeled as 8 in FIG. 2; and,  
FIG. 9 is an enlarged view of the encircled portion labeled as 9 in FIG. 2.  
The broken lines showing of the encircled portions in FIGS. 2, 8, and 9 form no part of the claimed design. The difference in surface shading indicates a contrast of appearance and does not depict any particular color, texture, or material.

**1 Claim, 5 Drawing Sheets**



(56)

**References Cited**

U.S. PATENT DOCUMENTS

D856,335 S \* 8/2019 Lam ..... D14/411  
D879,098 S \* 3/2020 Wu ..... D14/411

OTHER PUBLICATIONS

“Office Action Issued in Indian Patent Application No. 323101-001”, dated Nov. 19, 2019, 2 Pages.

\* cited by examiner

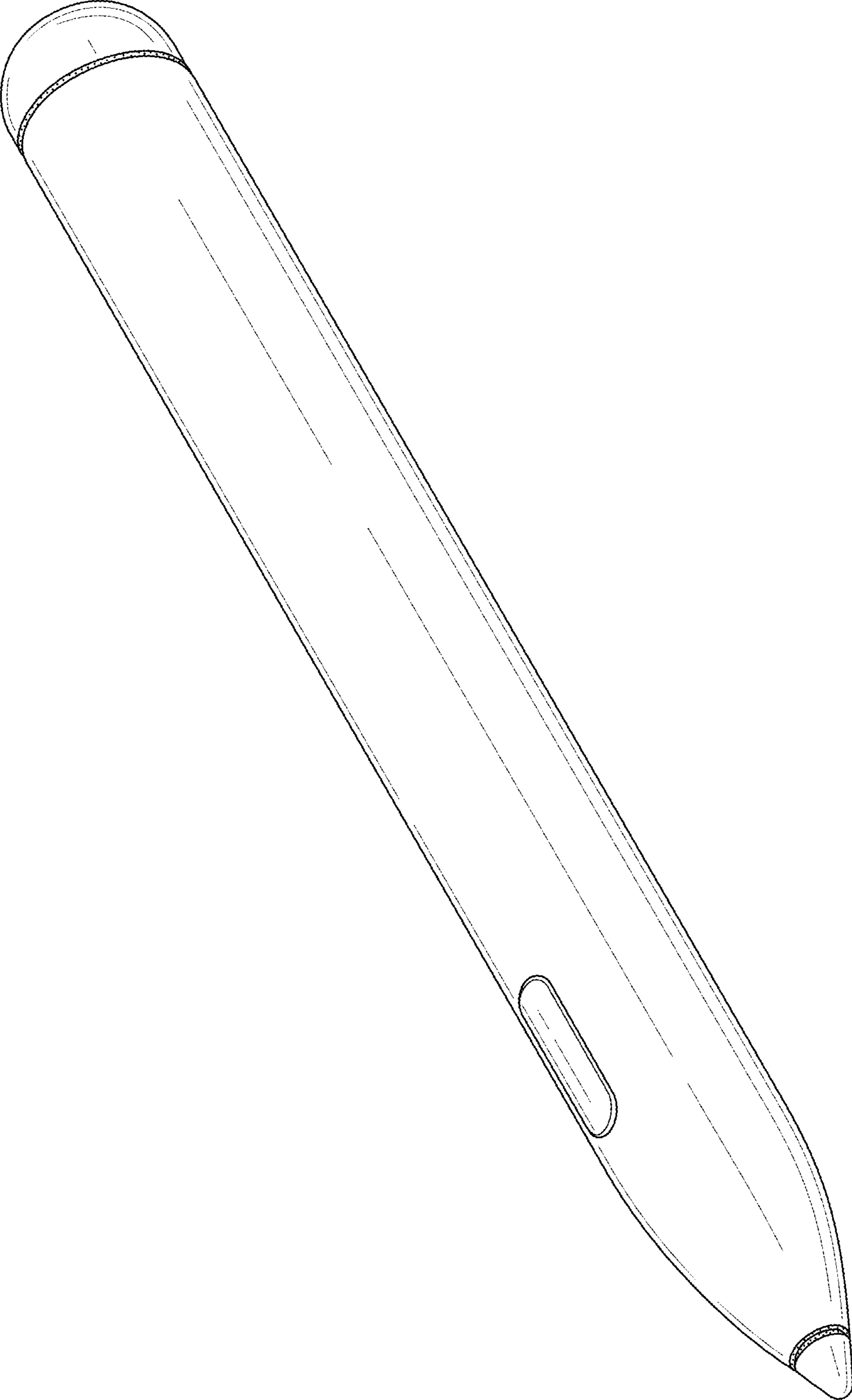


FIG. 1

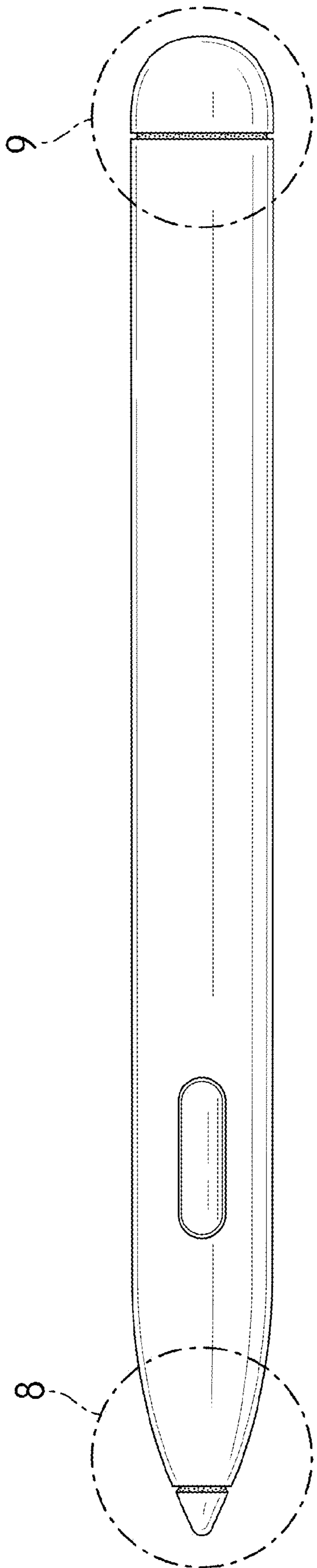


FIG. 2

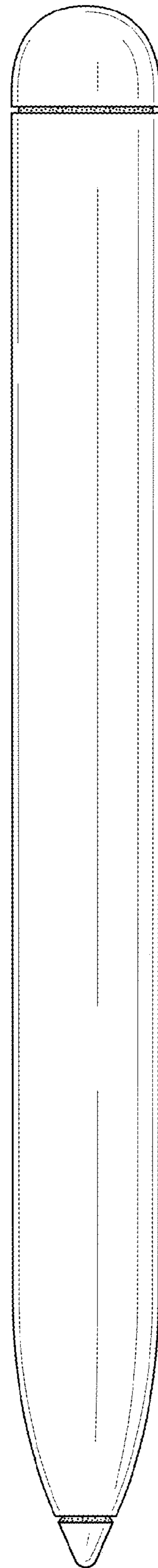


FIG. 3

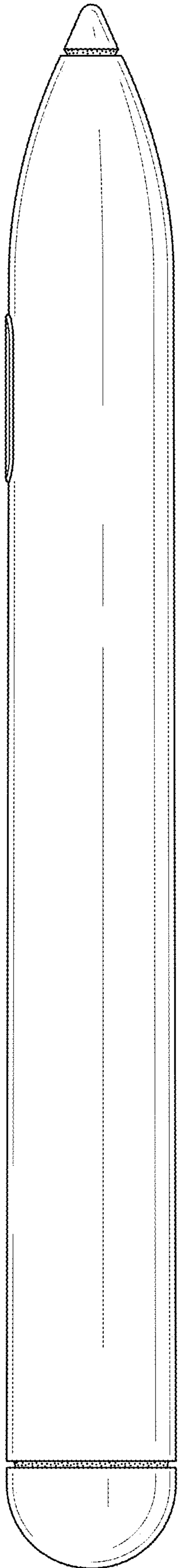


FIG. 4

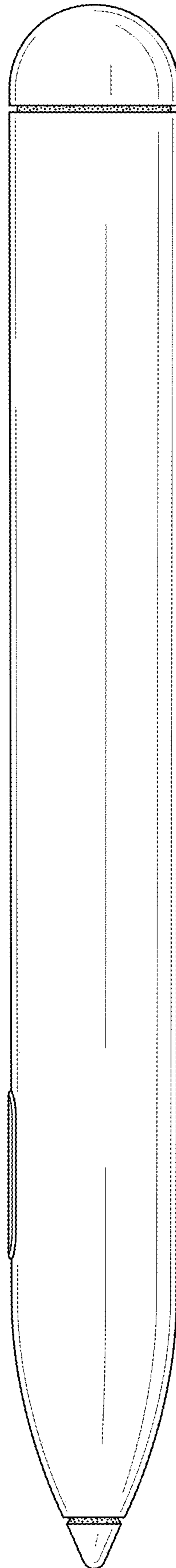


FIG. 5

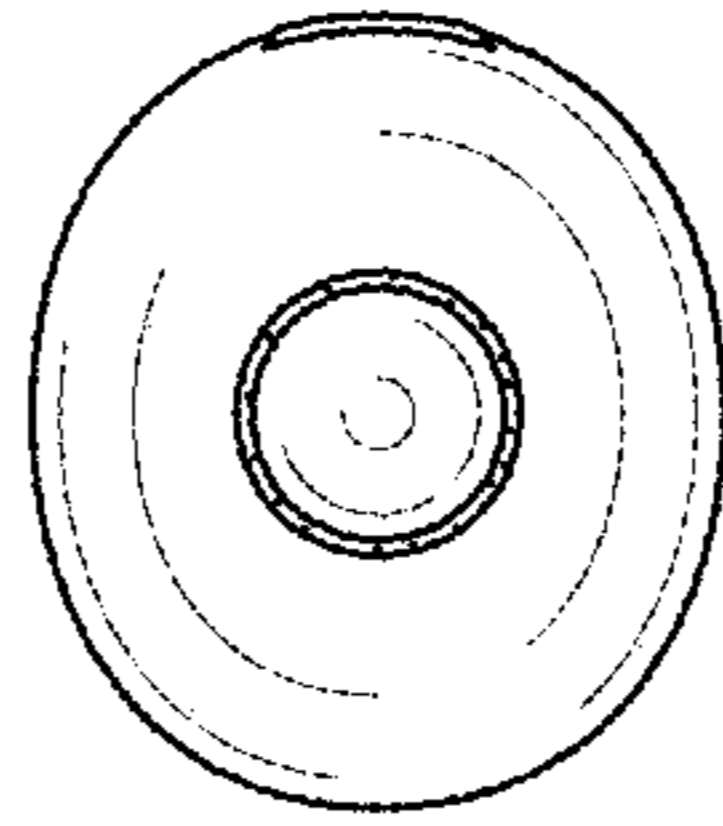


FIG. 6

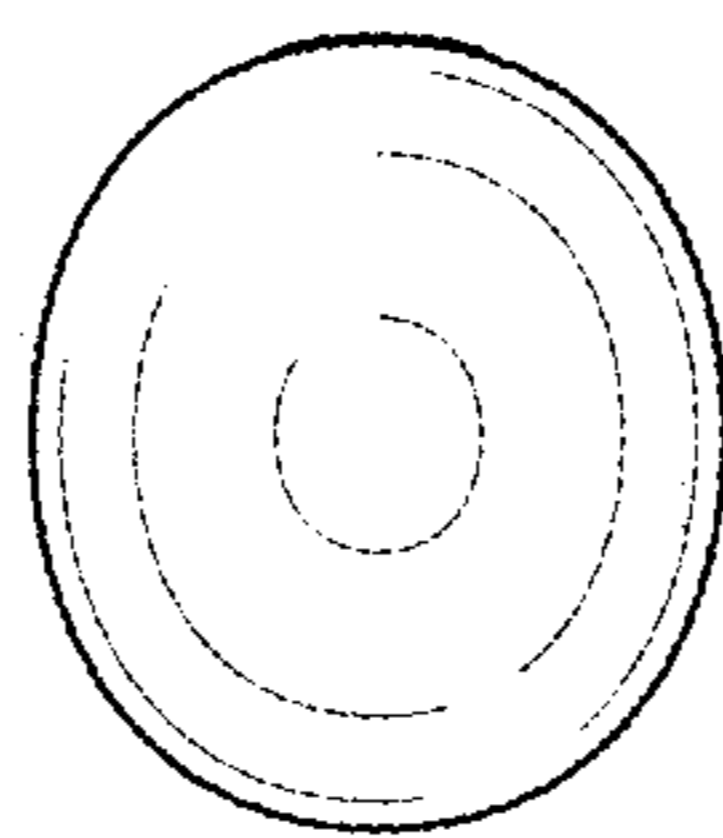


FIG. 7

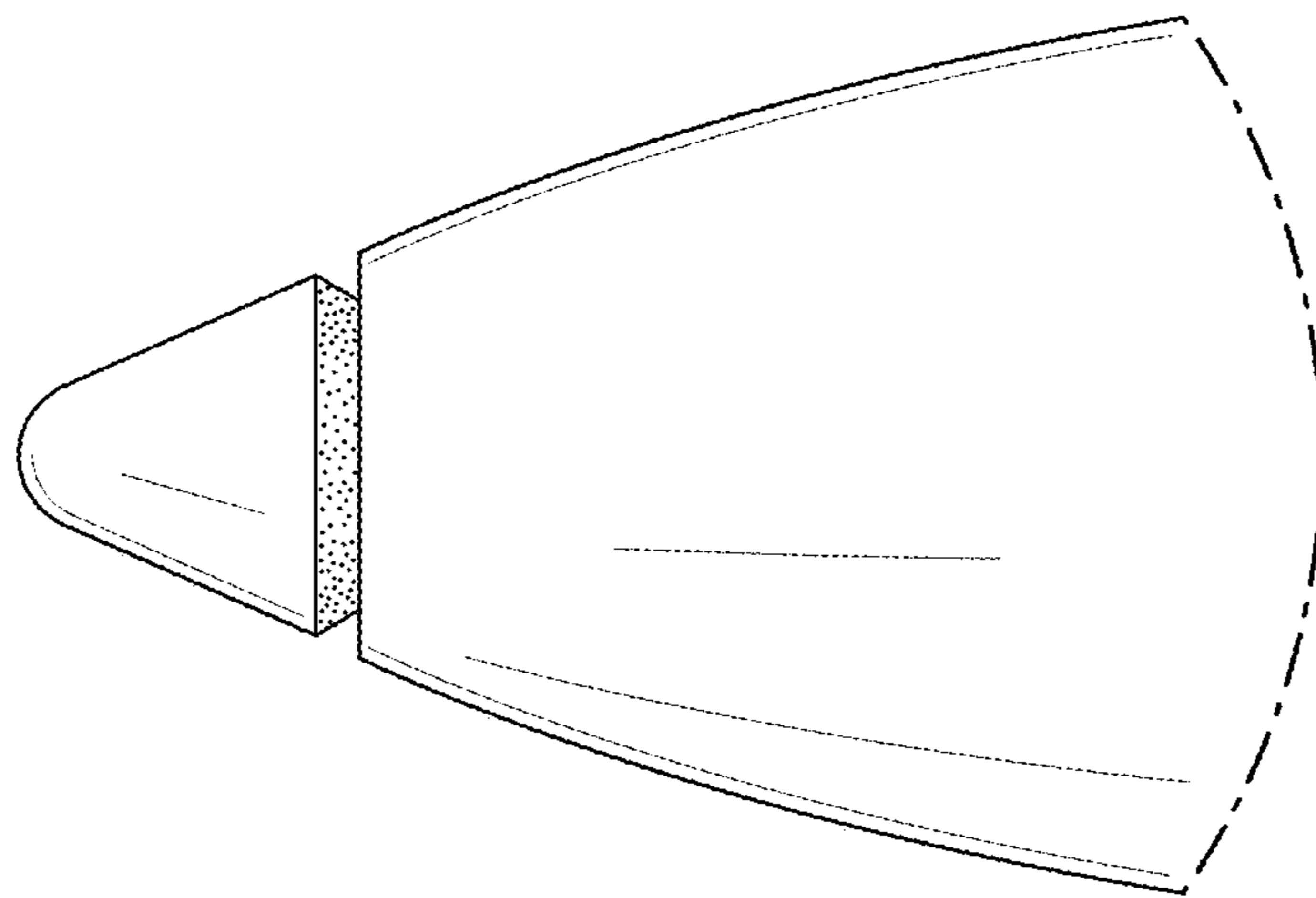


FIG. 8

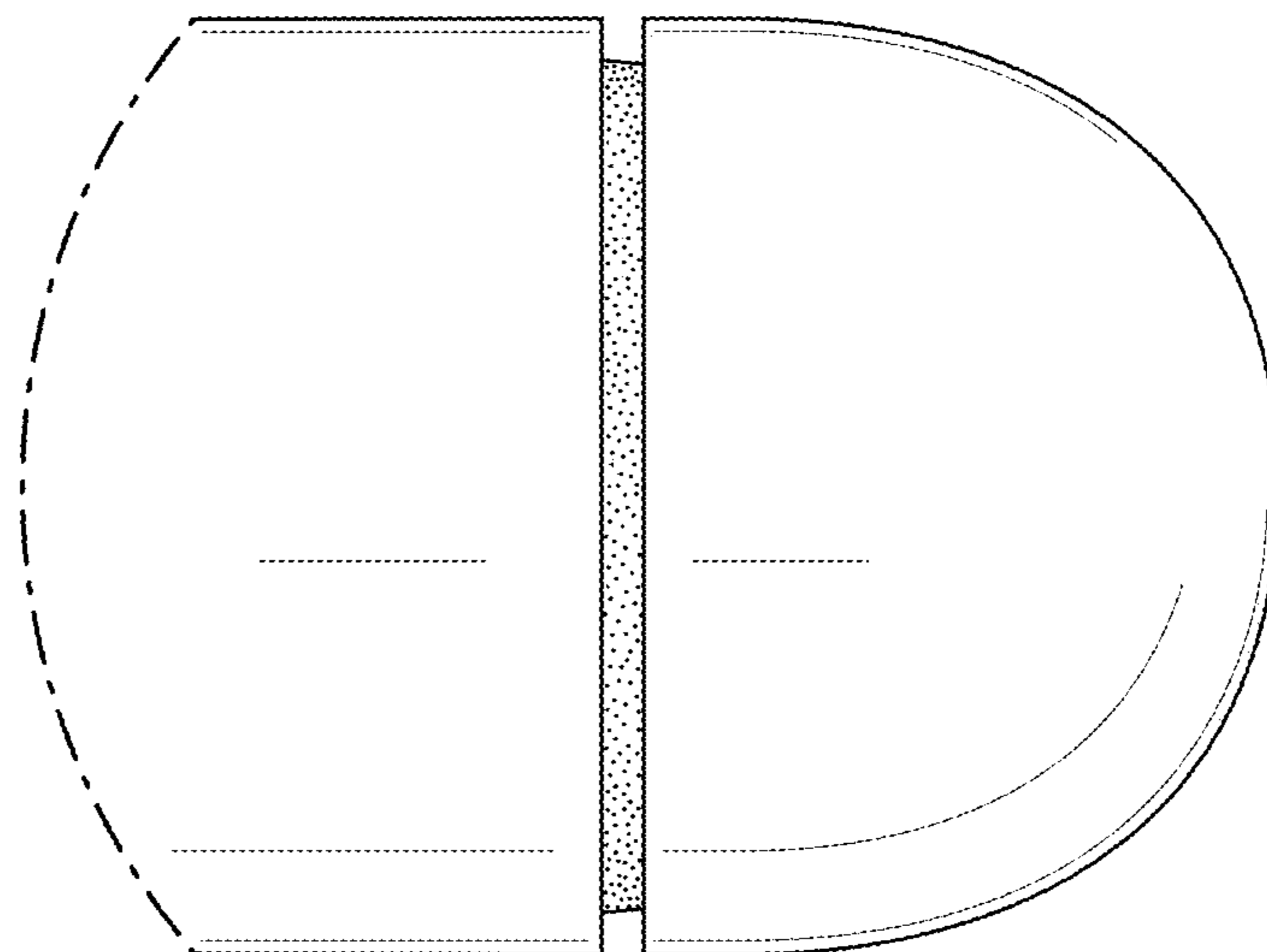


FIG. 9