

US00D895617S

(12) **United States Design Patent**
Little et al.

(10) **Patent No.:** **US D895,617 S**
(45) **Date of Patent:** **** Sep. 8, 2020**

- (54) **MONITOR WITH STAND**
- (71) Applicant: **Hewlett-Packard Development Company, L.P.**, Houston, TX (US)
- (72) Inventors: **Joshua Glenn Little**, Palo Alto, CA (US); **Glenn A. Wong**, Sunnyvale, CA (US); **Jack Godfrey Wood**, London (GB); **Seongmin Hwang**, London (GB); **Marcus Hoggarth**, London (GB)
- (73) Assignee: **Hewlett-Packard Development Company, L.P.**, Spring, TX (US)
- (**) Term: **15 Years**
- (21) Appl. No.: **29/673,960**
- (22) Filed: **Dec. 18, 2018**

Related U.S. Application Data

- (63) Continuation of application No. 35/001,221, filed on Jun. 21, 2016 (U.S. filing date under 35 U.S.C. 384), and having an international filing date of Jun. 21, 2016, now Pat. No. Des. 838,268.
- (51) **LOC (12) Cl.** **14-02**
- (52) **U.S. Cl.**
USPC **D14/374**
- (58) **Field of Classification Search**
USPC D14/336, 337, 341, 371-377, 126, 127, D14/128, 129, 447-452
CPC G06F 1/1601; G06F 1/1605; G06F 1/162
See application file for complete search history.

References Cited

U.S. PATENT DOCUMENTS

D496,184 S	9/2004	Sapp	
D550,222 S *	9/2007	Park	D14/375
D567,237 S	4/2008	Kim	
D618,682 S	6/2010	Haase et al.	
D721,666 S *	1/2015	Son	D14/126

D725,061 S *	3/2015	Kim	D14/126
D725,616 S *	3/2015	Oh	D14/126
D742,375 S	11/2015	Kang et al.	
D747,717 S	1/2016	Kim et al.	
D755,143 S *	5/2016	Moon	D14/126
D760,224 S *	6/2016	Lee	D14/371

(Continued)

OTHER PUBLICATIONS

Amazon. Link: https://www.amazon.com/HP-Curved-QHDAll-Desktop-Silver/dp/B01NCOOFGO/ref=sr_1_4?keywords=HP+ENVY+Curved+All-in-One&qid=1568407350&sr=8-4. Jan. 3, 2017. HP Envy 34" Curved QHDAll-in One Desktop PC. (Year: 2017).*

(Continued)

Primary Examiner — Lauren D McVey

(74) *Attorney, Agent, or Firm* — HP Inc. Patent Department

(57) **CLAIM**

The ornamental design for a monitor with stand, as shown and described.

DESCRIPTION

FIG. 1 is a rear, right, top, perspective view of a monitor with stand;

FIG. 2 is a front elevational view thereof;

FIG. 3 is a rear elevational view thereof;

FIG. 4 is a left-side elevational view thereof;

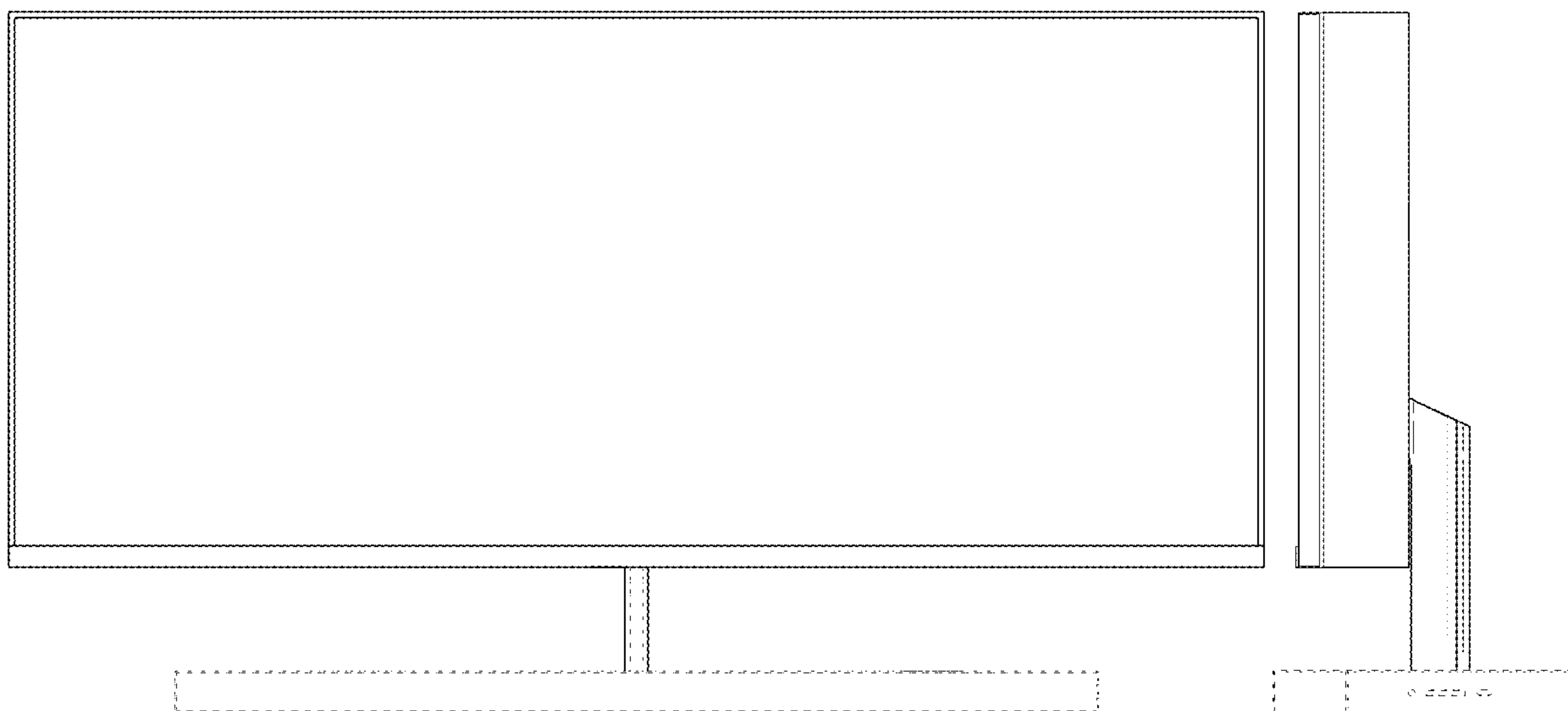
FIG. 5 is a right-side elevational view thereof;

FIG. 6 is a top plan view thereof; and,

FIG. 7 is a bottom plan view thereof.

The broken lines shown in the drawings represent environmental structure that forms no part of the claimed design. The “hp” lettering and icon and the “Bang & Olufsen” lettering and icon forming part of the disclosure is a registered trademark of HP Hewlett Packard Group LLC and Bang & Olufsen, respectively.

1 Claim, 6 Drawing Sheets



(56)

References Cited

U.S. PATENT DOCUMENTS

D760,723 S * 7/2016 Won D14/447
D763,259 S * 8/2016 Lee D14/375
D780,138 S * 2/2017 Lee D14/126
D781,283 S 3/2017 Son et al.
D782,432 S * 3/2017 So D14/126
D786,247 S * 5/2017 Won D14/375
D787,522 S * 5/2017 Lee D14/451
D791,130 S * 7/2017 Oh D14/374
D791,132 S * 7/2017 Oh D14/374
D796,462 S * 9/2017 Bang D14/126
D796,508 S * 9/2017 Oh D14/374
D797,737 S * 9/2017 Won D14/374
D797,738 S * 9/2017 Won D14/374
D800,082 S * 10/2017 Ahn D14/126
D805,511 S 12/2017 Sun et al.
D805,516 S * 12/2017 Bae D14/374
D806,069 S 12/2017 Peng et al.

D808,965 S 1/2018 Bergeron-Mirsky et al.
D821,386 S 6/2018 Dou
D821,395 S * 6/2018 Thetard D14/374
D824,384 S 7/2018 Magi et al.
D824,895 S 8/2018 Tivnon et al.
D827,644 S * 9/2018 Kim D14/377
D828,362 S * 9/2018 Jung D14/451
D838,268 S * 1/2019 Little D14/314
D848,991 S * 5/2019 Hwang D14/239
D875,697 S * 2/2020 Diao D14/126
2007/0253151 A1 * 11/2007 Liao G06F 1/1601
361/679.01

OTHER PUBLICATIONS

HP x2301 Micro Thin LED monitor review By: Eric Franklin
Reviewed: Aug. 30, 2011.

* cited by examiner

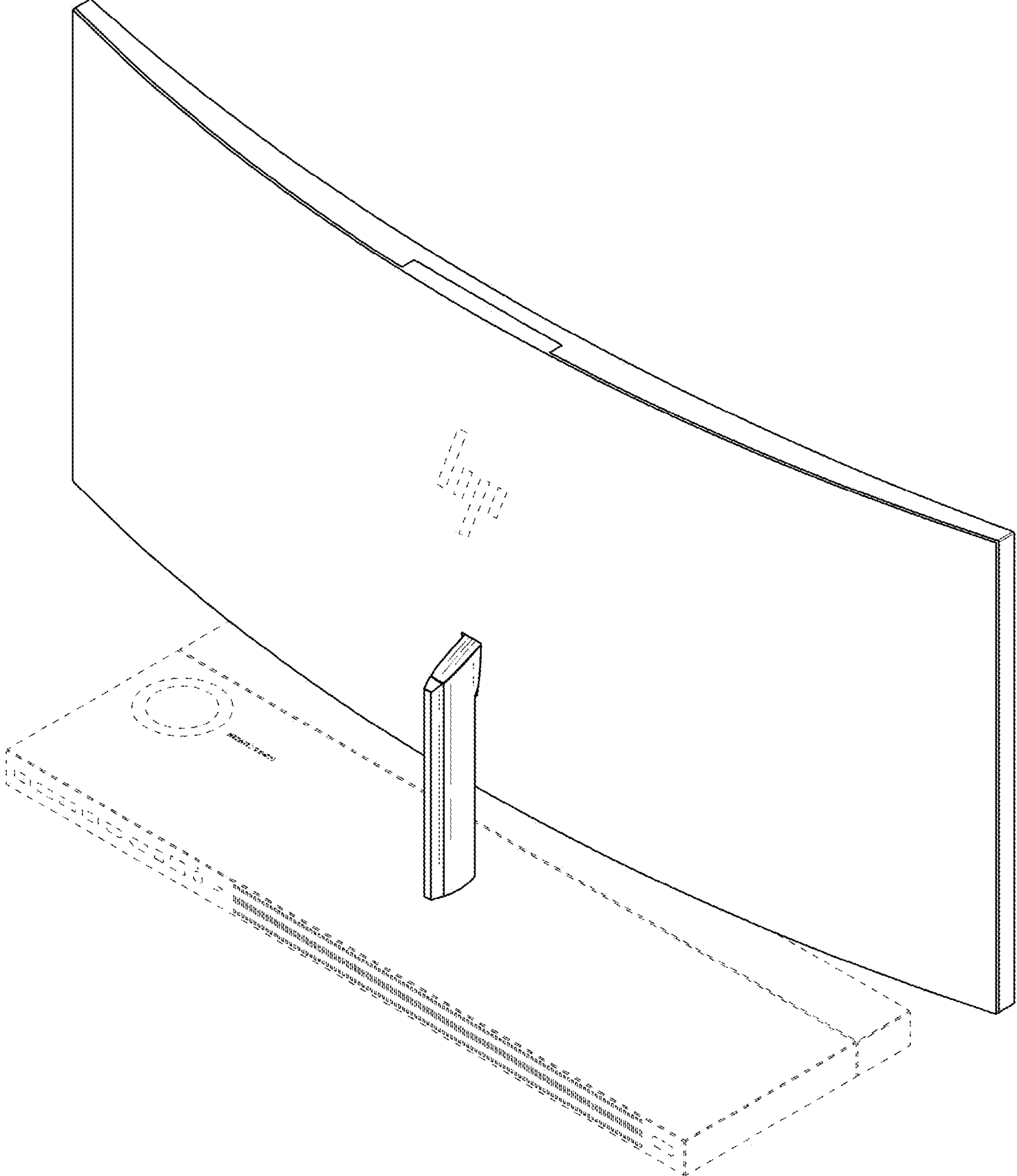


FIG. 1

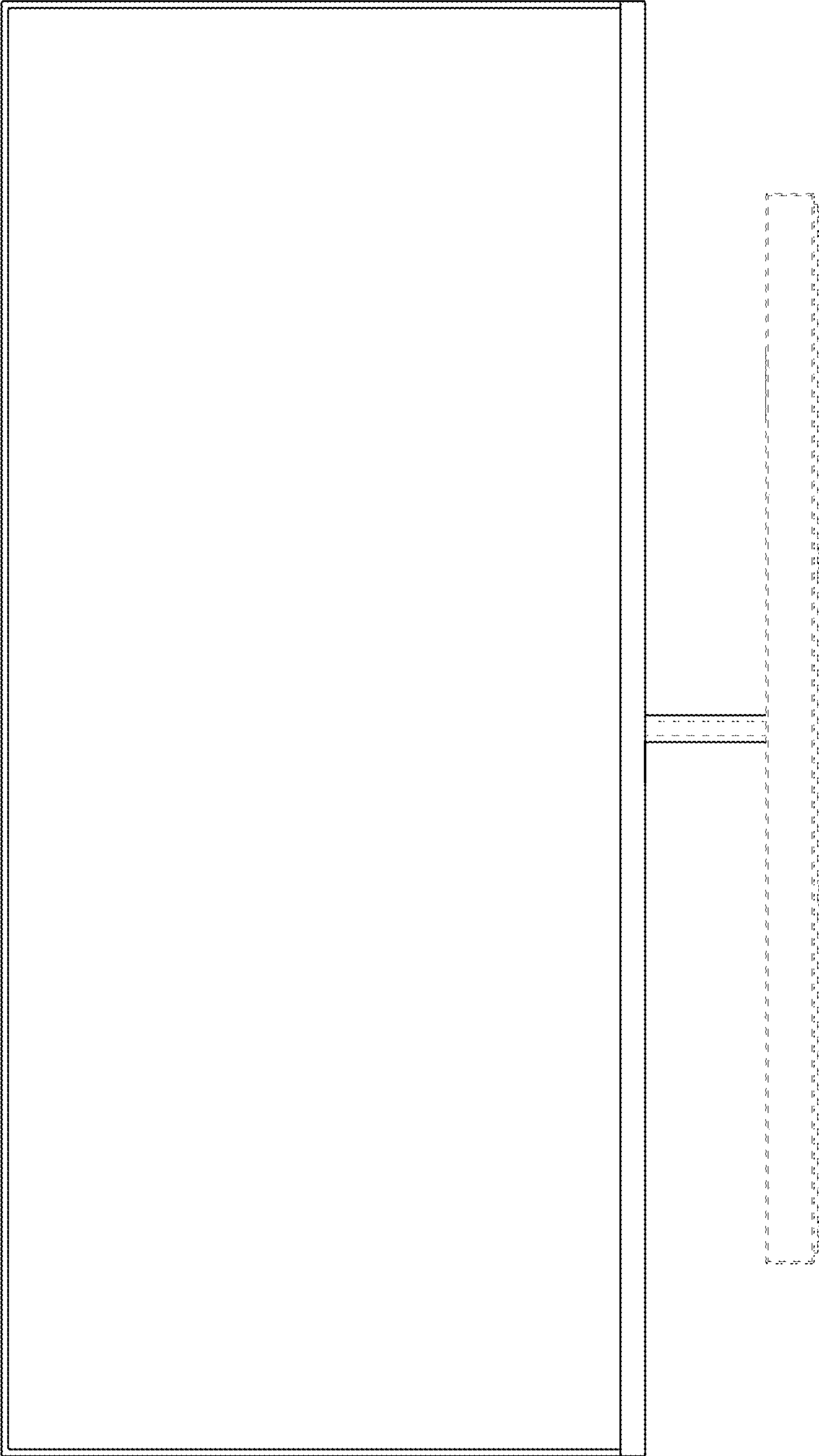


FIG. 2

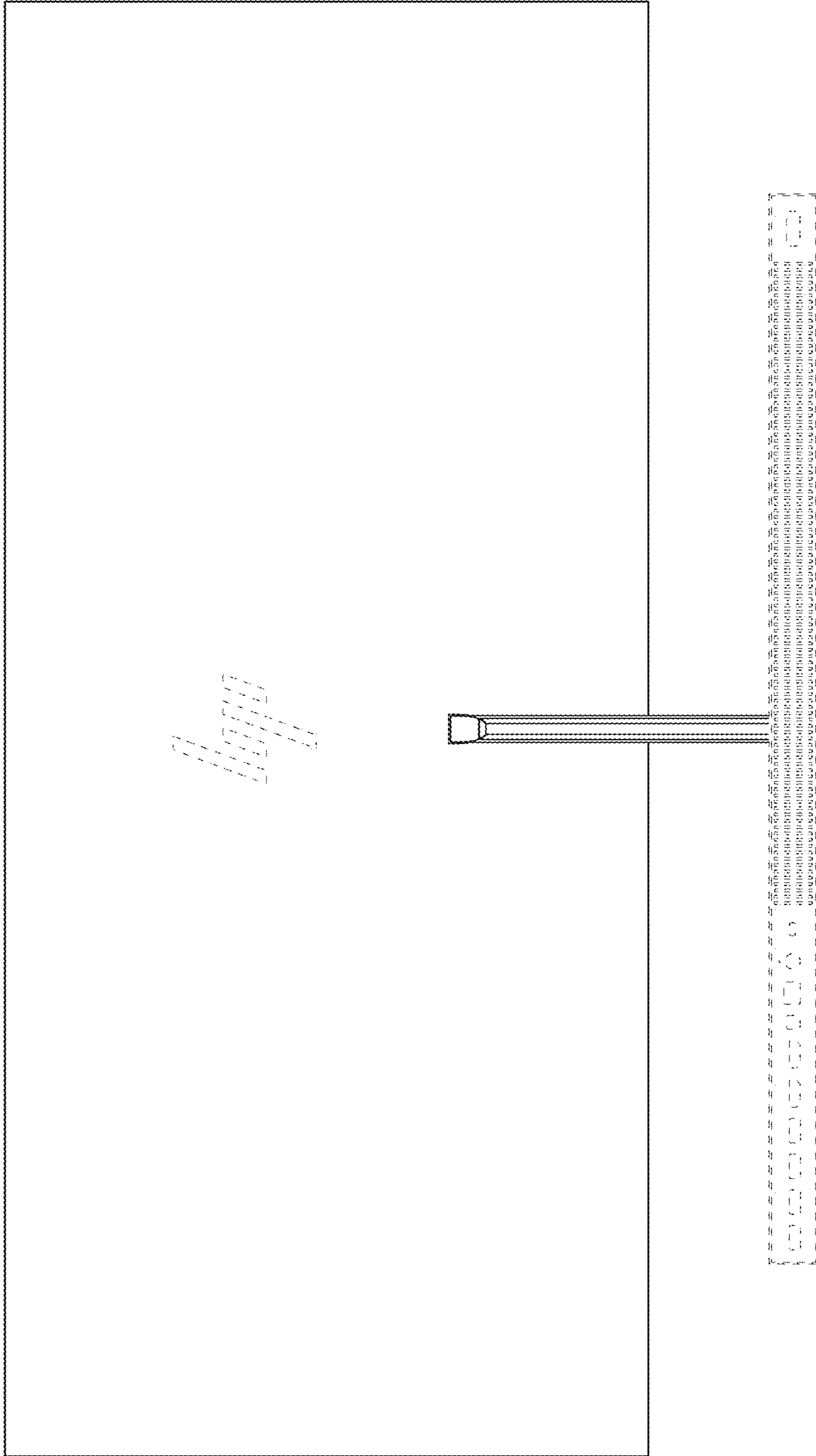


FIG. 3

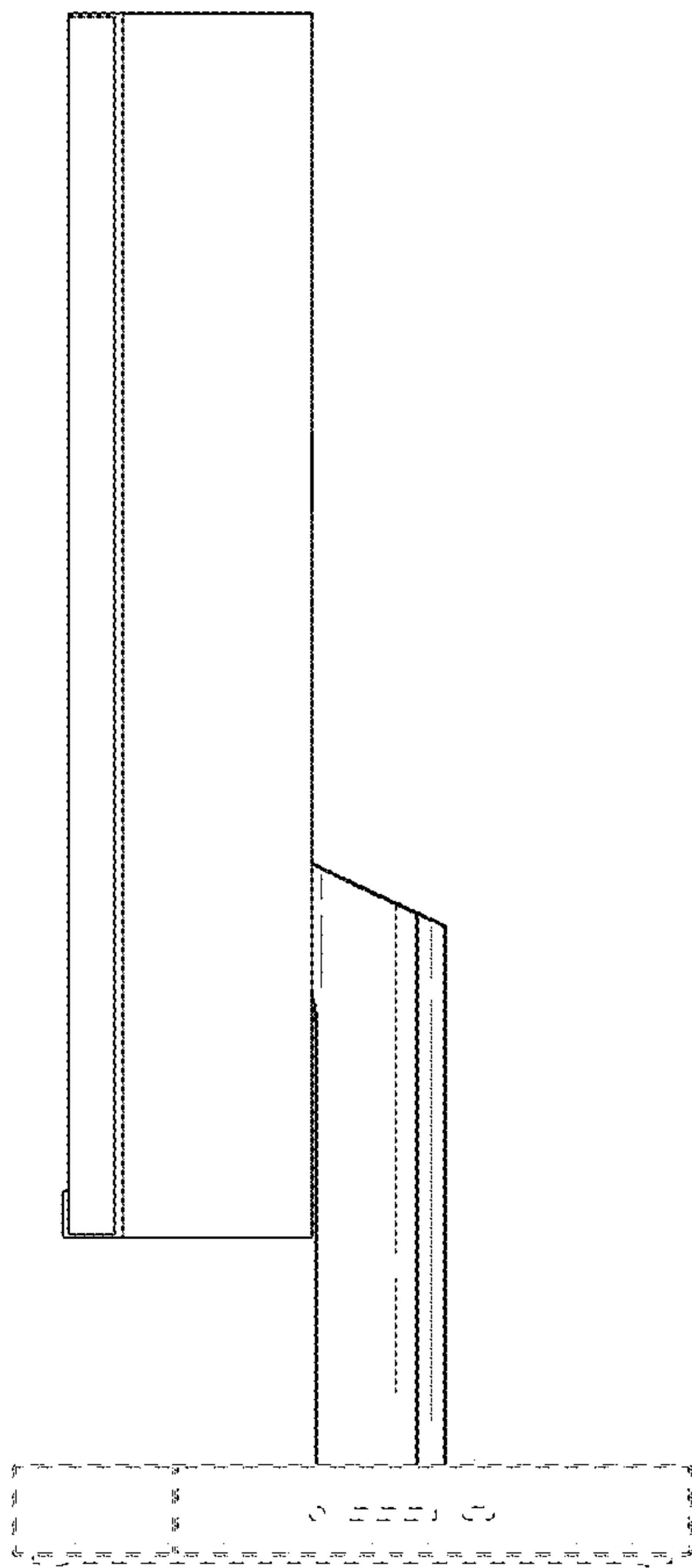


FIG. 4

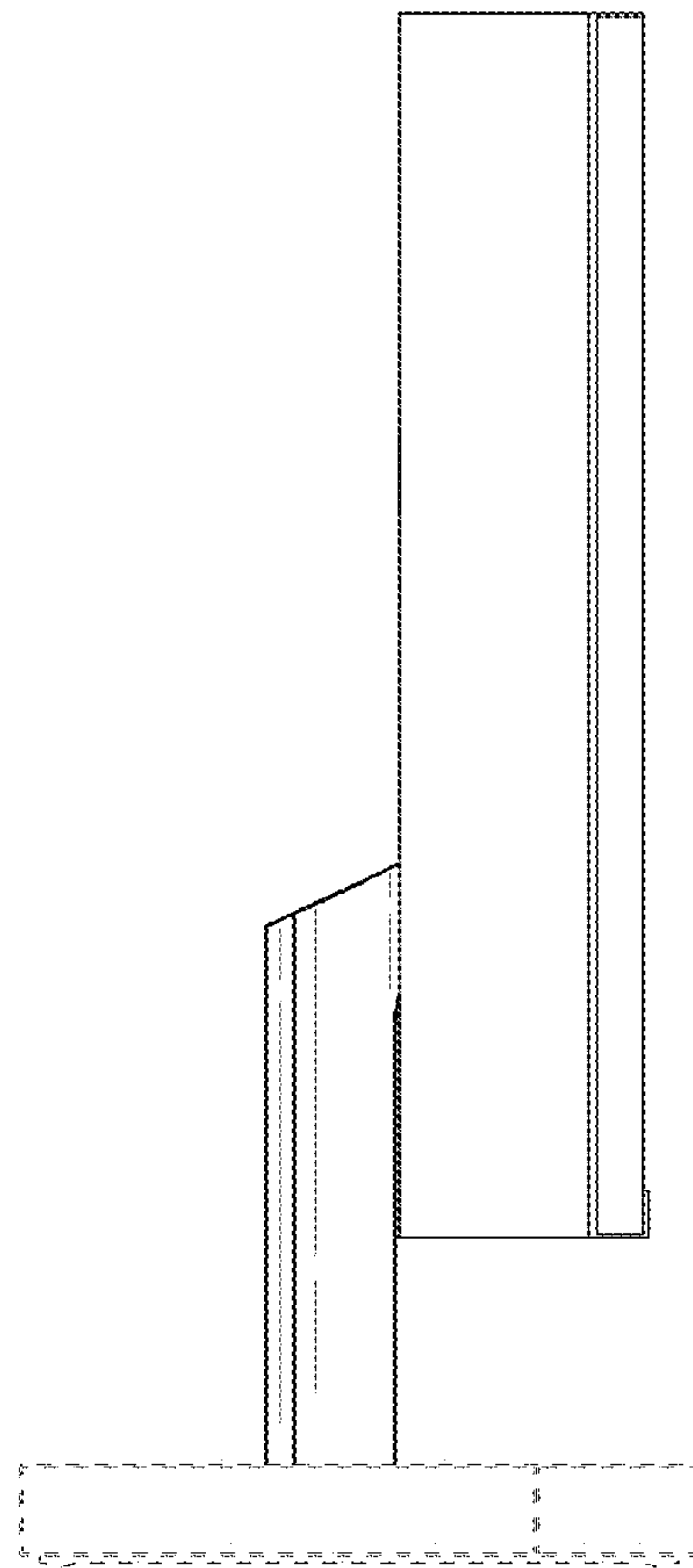


FIG. 5

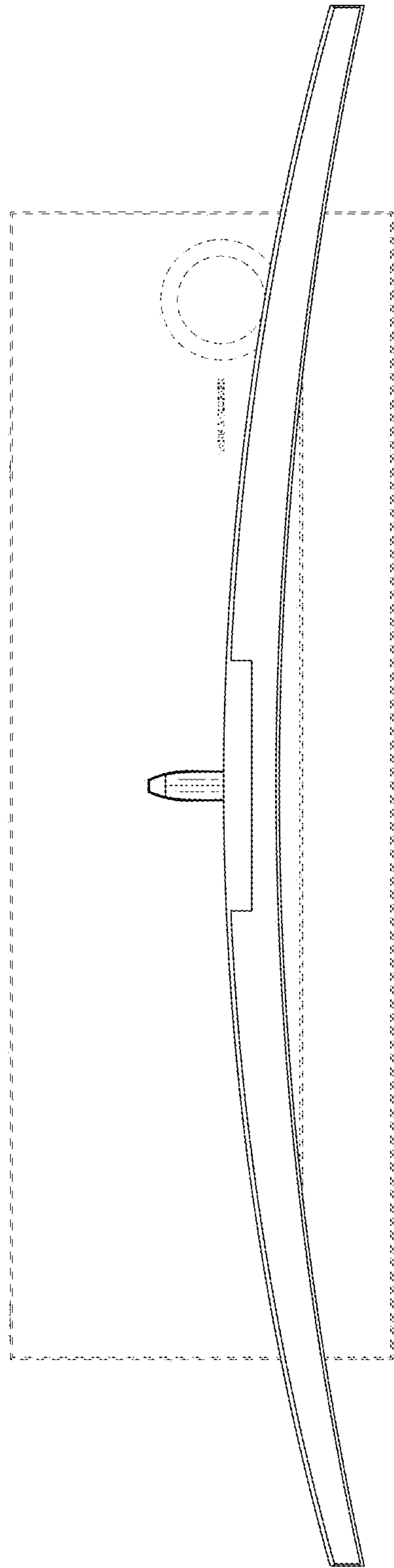


FIG. 6

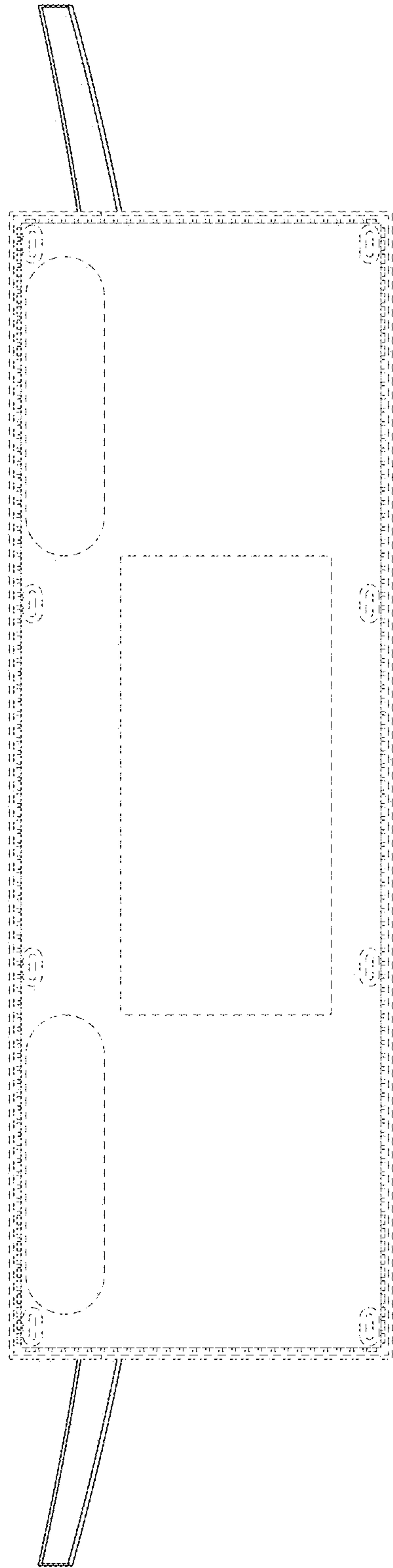


FIG. 7