



US00D895614S

(12) **United States Design Patent** (10) **Patent No.:** **US D895,614 S**  
**Vandenbussche et al.** (45) **Date of Patent:** **\*\* Sep. 8, 2020**

(54) **BODY OF A SMART WATCH**  
(71) Applicant: **Fitbit, Inc.**, San Francisco, CA (US)  
(72) Inventors: **Gregoire Ludovic Vincent Vandenbussche**, San Francisco, CA (US); **Jonah Avram Becker**, San Francisco, CA (US); **Irina Igorevna Kozlovskaya**, San Francisco, CA (US); **Cory William Worth**, Palo Alto, CA (US); **Chadwick John Harber**, San Francisco, CA (US); **Junyong Park**, San Francisco, CA (US)

D264,946 S 6/1982 Hirabayashi  
D528,928 S \* 9/2006 Burton ..... D10/38  
D555,019 S 11/2007 Au Yeung  
D589,375 S 3/2009 Tang  
(Continued)

FOREIGN PATENT DOCUMENTS

CH 135962 5/2009  
CH 143517 10/2017  
(Continued)

OTHER PUBLICATIONS

Fitbit Versa 2, announced Sep. 9, 2019 [online], [retrieved Sep. 29, 2019]. Available from Internet, URL: <<https://www.pcmag.com/review/370567/fitbit-versa-2>> (Year: 2019).\*  
(Continued)

*Primary Examiner* — Dana K Weiland  
(74) *Attorney, Agent, or Firm* — Polson Intellectual Property Law, PC; Margaret Polson

(73) Assignee: **Fitbit, Inc.**, San Francisco, CA (US)  
(\*\*) Term: **15 Years**

(21) Appl. No.: **29/702,572**

(22) Filed: **Aug. 20, 2019**

**Related U.S. Application Data**

(63) Continuation of application No. 29/669,190, filed on Nov. 6, 2018.

(51) **LOC (12) Cl.** ..... **14-02**

(52) **U.S. Cl.**  
USPC ..... **D14/344**

(58) **Field of Classification Search**  
USPC ..... D14/344, 138 R, 144, 341, 358, 388;  
D10/30-39, 70, 98; D11/3, 4, 26, 93-94,  
D11/78.1, 79, 86; D24/167, 169,  
D24/186-187, 164  
CPC ..... G06F 1/163; G06F 3/014; G04G 21/08;  
G04G 15/00; A61B 5/681; H04M 1/7253  
See application file for complete search history.

(57) **CLAIM**

The ornamental design for a body of a smart watch as shown and described.

**DESCRIPTION**

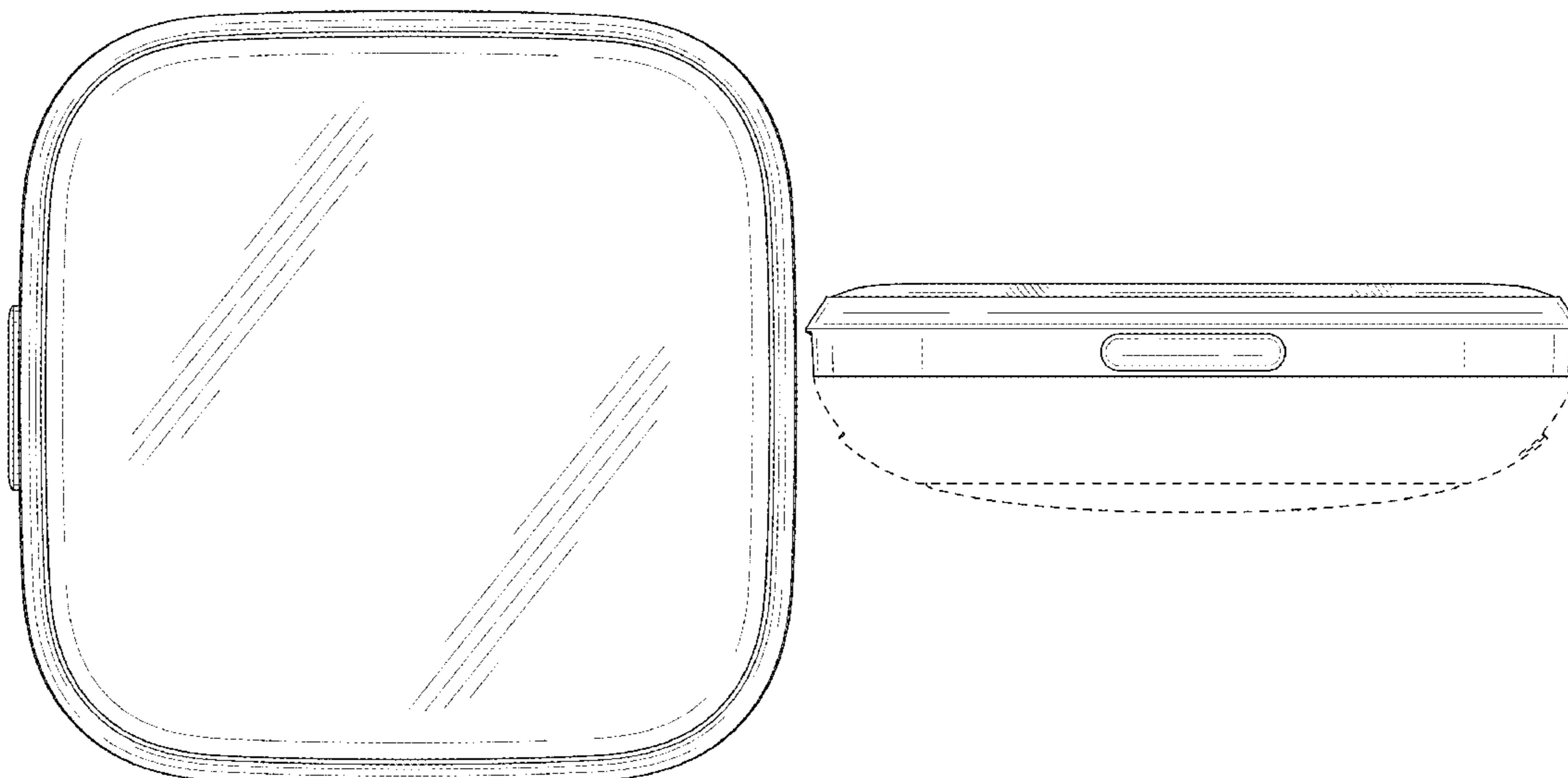
FIG. 1 is a top, right side isometric view of our new design for a body of a smart watch.  
FIG. 2 is a top plan view of FIG. 1.  
FIG. 3 is a right side elevation view of FIG. 1.  
FIG. 4 is a left side elevation view of FIG. 1.  
FIG. 5 is a front side elevation view of FIG. 1.  
FIG. 6 is a back side elevation view of FIG. 1; and,  
FIG. 7 is a bottom plan view of FIG. 1.  
The features shown in broken lines in the drawing depict portions of the body of a smart watch that form no part of the claimed design

(56) **References Cited**

**U.S. PATENT DOCUMENTS**

4,106,677 A 8/1978 Helmso  
D251,773 S 5/1979 Morabito

**1 Claim, 5 Drawing Sheets**



(56)

References Cited

FOREIGN PATENT DOCUMENTS

U.S. PATENT DOCUMENTS			CN		
				302930198 S	9/2014
				303004622 S	11/2014
D629,012 S	* 12/2010	Lee ..... D14/203.7	CN	303246872 S	6/2015
D632,984 S	2/2011	Register et al.	CN	303306813 S	7/2015
D637,097 S	5/2011	Tseng	CN	303356820 S	9/2015
D638,725 S	* 5/2011	Morrison ..... D10/39	CN	303477261 S	12/2015
D644,542 S	9/2011	Henne et al.	CN	303506081 S	12/2015
D665,680 S	8/2012	Shigeno et al.	CN	303518931 S	12/2015
D688,967 S	9/2013	Wilson	CN	303540593 S	1/2016
D693,248 S	11/2013	Anderssen et al.	CN	303675678 S	5/2016
D693,249 S	11/2013	Anderssen et al.	CN	303709447 S	6/2016
D715,167 S	10/2014	Busse	CN	303754167 S	7/2016
D725,497 S	* 3/2015	Henne ..... D10/38	CN	303770285 S	8/2016
D728,562 S	5/2015	Park et al.	CN	303770318 S	8/2016
D728,624 S	* 5/2015	Akana ..... D14/496	CN	303795823 S	8/2016
D737,159 S	8/2015	Akana et al.	CN	303814677 S	8/2016
D741,726 S	10/2015	Akana et al.	CN	303995256 S	1/2017
D743,278 S	11/2015	Solomon et al.	CN	304020160 S	2/2017
D745,005 S	12/2015	Kim et al.	CN	304071447 S	3/2017
D746,702 S	1/2016	Galli	CN	304094572 s	4/2017
D747,494 S	1/2016	Tamsiran	CN	304144485 S	5/2017
D747,979 S	* 1/2016	Babcock ..... D10/30	CN	304157225 S	6/2017
D749,570 S	* 2/2016	Lee ..... D14/344	CN	304244860 s	8/2017
D751,550 S	3/2016	Solomon et al.	CN	304326771 S	10/2017
D758,363 S	* 6/2016	Akana ..... D10/30	CN	304374415 S	11/2017
D763,107 S	8/2016	Nielsen et al.	CN	304399311 S	12/2017
D765,655 S	* 9/2016	Tao ..... D14/344	CN	304425668 S	12/2017
D766,115 S	* 9/2016	Ma ..... D10/38	CN	304436817 S	1/2018
D766,218 S	* 9/2016	Yang ..... D14/218	CN	304436826 S	1/2018
D766,752 S	9/2016	Akana et al.	CN	304442939 S	1/2018
D769,869 S	10/2016	Zhou et al.	CN	304492882 S	2/2018
D770,533 S	* 11/2016	Akana ..... D14/203.7	CN	304534953 S	3/2018
D771,035 S	11/2016	Akana et al.	CN	304565317 S	4/2018
D771,504 S	11/2016	Lai et al.	CN	304582985 S	4/2018
D772,081 S	11/2016	Lee et al.	CN	304629080 S	5/2018
D777,590 S	1/2017	Nielsen et al.	CN	304704202 S	6/2018
9,551,608 B2	1/2017	Cho et al.	CN	304710123 S	7/2018
D784,346 S	* 4/2017	Tao ..... D10/103	CN	304716087 S	7/2018
D786,706 S	5/2017	Connor et al.	CN	304730761 s	7/2018
9,658,347 B2	5/2017	Jacob et al.	CN	304782979 S	8/2018
D789,219 S	6/2017	Ferraris et al.	CN	207833246 U	9/2018
9,743,695 B2	8/2017	Yoo	CN	304805429 S	9/2018
D800,172 S	10/2017	Akana et al.	CN	304825093 S	9/2018
D800,721 S	* 10/2017	Kim ..... D14/344	CN	304828368 S	9/2018
D800,725 S	* 10/2017	Akana ..... D14/371	CN	304833706 s	9/2018
D802,587 S	11/2017	Lee et al.	CN	304847172 S	10/2018
D805,413 S	12/2017	Chen et al.	CN	304856681 s	10/2018
D805,513 S	12/2017	Akana et al.	CN	304856828 S	10/2018
D805,929 S	12/2017	Akana et al.	CN	304873653 S9	11/2018
D806,880 S	1/2018	Henning	CN	304880236 S	11/2018
D807,765 S	* 1/2018	Akana ..... D10/70	CN	304918326 S	11/2018
D808,961 S	* 1/2018	Lee ..... D14/344	CN	304925451 S	12/2018
D809,510 S	2/2018	Rochat et al.	CN	304925455 s	12/2018
D813,058 S	3/2018	Kanikananta	CN	304951030 s	12/2018
D813,229 S	3/2018	Ling et al.	CN	109188891 A	1/2019
D816,695 S	5/2018	Spector	CN	304873653	* 1/2019
10,038,361 B2	7/2018	Hajati et al.	CN	304973149 S	1/2019
10,058,149 B1	8/2018	Wittenberg et al.	CN	304973151	* 1/2019
D828,352 S	* 9/2018	Akana ..... D14/344	CN	304973151 S	1/2019
D830,874 S	10/2018	Shames et al.	CN	305070141 S	3/2019
D836,007 S	* 12/2018	Duval ..... D10/39	CN	208752405 U	4/2019
D837,206 S	* 1/2019	Guan ..... D14/344	CN	305114170 S	4/2019
D839,753 S	* 2/2019	Domke ..... D10/30	CN	305140383 S	5/2019
D842,724 S	* 3/2019	Vandenbussche ..... D10/70	CN	305146930 S	5/2019
D843,864 S	* 3/2019	Vandenbussche ..... D10/70	CN	305178015 S	5/2019
D854,433 S	* 7/2019	Vandenbussche ..... D10/70	CN	305178209 S	5/2019
D855,807 S	8/2019	Schroeder	CN	305178214 S	5/2019
D855,813 S	* 8/2019	Hu ..... D24/186	CN	209949202 U	1/2020
D862,462 S	* 10/2019	Zhang ..... D14/344	CN	305580115 S	1/2020
D864,767 S	* 10/2019	Vandenbussche ..... D10/70	EM	001109706-0017	3/2009
D869,461 S	* 12/2019	Ke ..... D14/344	EM	003027218-0001	3/2016
D869,462 S	* 12/2019	Ke ..... D14/344	EM	004428274-0006	10/2017
D887,406 S	* 6/2020	Mao ..... D14/344	EM	005248101-0001	4/2018
D889,459 S	* 7/2020	Zhang ..... D14/344	EM	005248101-0001	* 6/2018
2015/0248235 A1	9/2015	Offenberg et al.	EM	0056242624-0002	8/2018
2017/0100038 A1*	4/2017	Narusawa ..... A61B 5/6843	EM	005832243-0001	11/2018
2017/0311884 A1	11/2017	Takahashi et al.	EM	005940475-0003	12/2018

(56)

References Cited

FOREIGN PATENT DOCUMENTS

EM	006428686-0001	*	8/2019
EM	006428686-0002	*	8/2019
EM	006428686-0007	*	8/2019
EM	005659018-0001		9/2019
GB	2034016		9/1993
GB	2071498		1/1998
GB	6041455		8/2018
GB	6041462		8/2018
IN	287980		12/2016
JP	D1627277	*	3/2019
KR	30-0881011		11/2016
KR	20-0483102	Y1	4/2017
WO	DM032249-033		2/1995
WO	DM048610-001		7/1999
WO	DM046720-002		9/1999
WO	DM050714-003		2/2000
WO	DM052261-018		6/2000
WO	DM053903-001		11/2000
WO	DM056258-003		5/2001
WO	DM060327-002		6/2002
WO	DM064634-003		11/2003
WO	DM064877-003		1/2004
WO	DM065602-002		7/2004
WO	DM069848-002		3/2008
WO	DM070127-002		5/2008
WO	DM069849-001		8/2008
WO	DM083337-003		4/2014
WO	DM083370-001		4/2014
WO	DM087754-003		9/2015
WO	DM090387-001		4/2016
WO	DM092631-001		9/2016
WO	DM092900-002		10/2016
WO	DM096669-001		6/2017
WO	DM099907-002		1/2018

OTHER PUBLICATIONS

Fitbit Versa Lite review: Lower cost with little sacrifice, announced Apr. 3, 2019 [online], [retrieved Sep. 25, 2019]. Available from Internet, URL: <<https://www.macworld.com/article/3386382/fitbit-versa-lite-review.html>> (Year: 2019).\*

U.S. Appl. No. 29/572,967, filed Aug. 1, 2016, applicant Fitbit, Inc. Per rule 609.07.

U.S. Appl. No. 29/614,479, filed Aug. 18, 2017, applicant Fitbit, Inc. Per rule 609.07.

U.S. Appl. No. 29/593,261, filed Feb. 7, 2017, applicant Fitbit, Inc. Per rule 609.07.

U.S. Appl. No. 29/596,216, filed Mar. 6, 2017, applicant Fitbit, Inc. Per rule 609.07.

U.S. Appl. No. 29/602,541, filed May 1, 2017, applicant Fitbit, Inc. Per rule 609.07.

U.S. Appl. No. 29/656,638, filed Jul. 13, 2018, applicant Fitbit, Inc. Per rule 609.07.

U.S. Appl. No. 29/671,175, filed Nov. 24, 2018, applicant Fitbit, Inc. Per rule 609.07.

U.S. Appl. No. 29/671,143, filed Nov. 24, 2018, applicant Fitbit, Inc. Per rule 609.07.

U.S. Appl. No. 29/670,971, filed Nov. 24, 2018, applicant Fitbit, Inc. Per rule 609.07.

U.S. Appl. No. 29/671,146, filed Nov. 24, 2018, applicant Fitbit, Inc. Per rule 609.07.

U.S. Appl. No. 29/671,144, filed Nov. 24, 2018, applicant Fitbit, Inc. Per rule 609.07.

U.S. Appl. No. 29/669,190, filed Nov. 6, 2018, applicant Fitbit, Inc. Per MPEP rule 609.07.

U.S. Appl. No. 29/688,946, filed Apr. 25, 2019, applicant Fitbit, Inc. Per MPEP rule 609.07.

U.S. Appl. No. 29/690,658, filed May 9, 2019, applicant Fitbit, Inc. Per MPEP rule 609.07.

U.S. Appl. No. 29/701,730, filed Aug. 14, 2019, applicant Fitbit, Inc. Per MPEP rule 609.07.

U.S. Appl. No. 29/701,729, filed Aug. 14, 2019, applicant Fitbit, Inc. Per MPEP rule 609.07.

U.S. Appl. No. 29/692,719, filed May 28, 2019, applicant Fitbit, Inc. Per MPEP rule 609.07.

U.S. Appl. No. 29/702,397, filed Aug. 19, 2019, applicant Fitbit, Inc. Per MPEP rule 609.07.

POY Compatible Bands Replacement for Fitbit Alta, Fitbit Alta HR sold on Amazon. Website accessed Mar. 1, 2019.

Monster Fitness Multicolor Replacement Bands for Fitbit Flex sold on Amazon. Website accessed Mar. 1, 2019.

GK Fitbit Alta Bands—replacement sport strap bands for Fitbit Alta for sale at Walmart ([www.walmart.com](http://www.walmart.com)). Website accessed Nov. 7, 2018.

Suunto Core watchband on Instagram. Accessed Feb. 7, 2017.

Suppa G-Shock Strap Adapters, online at least as early as Dec. 13, 2013. Accessed Feb. 7, 2017.

Monserat de Lucca Measuring Tape Bracelet for sale at Shopbop ([www.shopbop.com](http://www.shopbop.com)). Website accessed Nov. 11, 2018.

Marc by Marc Jacobs Engraved Turlock Leather Bangle Bracelet for sale at Shopbop ([www.shopbop.com](http://www.shopbop.com)). Website accessed Nov. 11, 2018.

ACBEE Replacement watch band with buckle for Fitbit ALTA for sale at [www.amazon.com](http://www.amazon.com), Website accessed Nov. 7, 2018.

PERFIT rubber watch band with double prong buckle and spring bars for sale at [www.amazon.com](http://www.amazon.com). Website accessed Nov. 7, 2018.

Waterproof diving silicone rubber strap with clasp for sale at [www.aliexpress.com](http://www.aliexpress.com) (Alibaba Group). Website accessed Feb. 7, 2018.

Damusy Fitness Tracker Smart Band for sale at [www.activityandfitness trackers.com](http://www.activityandfitness trackers.com). Website accessed Nov. 10, 2018.

Volemer F09HR Smart Band Fitness Tracker for sale at [www.epaky.com](http://www.epaky.com). Website accessed Nov. 10, 2018.

“First Look: Fitbit announces new Fitbit Alta activity tracker”, published Feb. 3, 2016 on DC Rainmaker ([www.dcrainmaker.com](http://www.dcrainmaker.com)). Website accessed Nov. 10, 2018.

Fitbit Alta—for sale by Fitbit (<https://www.fitbit.com/alta>). Website accessed Mar. 27, 2017.

Fitbit Alta replacement bands—for sale at [www.amazon.com](http://www.amazon.com). Website accessed Jul. 17, 2017.

Fitbit Alta review published Mar. 25, 2016 on CNet ([www.cnet.com](http://www.cnet.com)). Website accessed Nov. 10, 2018.

Fitbit Charge 2 Heart Rate and Fitness Wristband for sale at [www.amazon.co.uk](http://www.amazon.co.uk). Website accessed Feb. 7, 2018.

Fitbit Flex Wireless Activity and Sleep Wristband for sale at [www.amazon.com](http://www.amazon.com). Listed at least as early as Apr. 16, 2013.

Fitbit Ionic Accessory Band for sale at Nordstrom (<https://shop.nordstrom.com>). Website accessed Nov. 7, 2018.

Fitbit Alta HR Bands for sale at The Fitness Equipment Shop ([www.thefitnessequipmentshop.com](http://www.thefitnessequipmentshop.com)). Website accessed Nov. 17, 2018.

LUMINOX Replacement Rubber Watch Band Strap for sale at Walmart ([www.walmart.com](http://www.walmart.com)). Website accessed Nov. 7, 2018.

“MPOW DS-D6 Fitness Band Review” published Jan. 13, 2018 on ZeroAir ([www.zeroair.wordpress.com](http://www.zeroair.wordpress.com)). Website accessed Nov. 10, 2018.

“Fitbit Product Teardown” on Pinterest, pinned from [www.ifixit.com](http://www.ifixit.com). Website accessed Feb. 27, 2017.

Pro Elite Medicine Ball by Power Systems ([www.power-systems.com](http://www.power-systems.com)). Website accessed Feb. 7, 2018.

Replacement metal watch band Connector for Fitbit Alta/Fitbit Alta HR for sale at Banggood ([www.banggood.com](http://www.banggood.com)). Website accessed Nov. 10, 2018.

Citrine by the Stones Sol Forearm Band for sale at Shopbop ([www.shopbop.com](http://www.shopbop.com)). Website accessed Nov. 11, 2018.

Gorjana Mia Wrap Cuff for sale at Shopbop ([www.shopbop.com](http://www.shopbop.com)). Website accessed Nov. 11, 2018.

Fintie for Gear S2 Watch Band Stainless Steel Metal Replacement Strap, for sale at [www.amazon.com](http://www.amazon.com). Website accessed Apr. 24, 2019.

Fitbit Inspire HR review: One size, many styles, fit all, posted May 24, 2019, [retrieved Jun. 5, 2019]. Retrieved from Internet, <URL: <https://www.macworld.com/article/3397320/fitbit-inspire-hr-review.html>>.

(56)

**References Cited**

## OTHER PUBLICATIONS

The New Fitbit Inspire HR Is Finally Available to the Public!, posted Mar. 6, 2019, [retrieved Jun. 5, 2019]. Retrieved from Internet, <URL: <https://arnyeverafter.com/new-fitbit-inspire-hr-smartwatch/> >.

Samsung's 6th smartwatch has a 3G modem and a massive curved display, posted Aug. 28, 2014, [retrieved Jun. 5, 2019]. Retrieved from Internet, <URL: <https://arstechnica.com/gadgets/2014/08/samsungs-6th-smartwatch-has-a-3g-modem-and-a-massive-curved-display/> >.

Microsoft Band 2 Fitness Tracker with Curved Screen Announced, posted Oct. 7, 2015, [retrieved Jun. 5, 2019]. Retrieved from Internet, <URL: <https://gadgetsincorn.com/microsoft-band-2-fitness-tracker-with-curved-screen-announced.html> >.

Samsung Introduces Three New Wearables for Balanced and Connected Living, Samsung Newsroom, posted Feb. 20, 2019, accessed Feb. 25, 2019. <URL: <https://news.samsung.com/us/samsung-wearable-galaxy-watch-active-galaxy-fit-galaxy-buds-unpacked-2019/>>.

Fitbit Versa Lite Smartwatch and Activity Tracker, for sale at hsn.com (<https://www.hsn.com/products/fitbit-versa-smartwatch-and-activity-tracker-with-class/8688605>), May 31, 2019.

Fitbit Versa Smartwatch, for sale at kohls.com (<https://www.kohls.com/product/prd-3296179/fitbit-versa-smart-fitness-watch-non-nfc.jsp>), Apr. 17, 2018.

ACBEE Fitbit alta Band, Watch Buckle Design, for sale on amazon.com ([https://www.amazon.com/ACBEE-Perfect-Replacement-Original-Band-Never/dp/B01G2IECXO/ref=as\\_li\\_ss\\_tl?ie=UTF8&linkCode=s11&tag=mbyte-20&linkId=d7045d83d76ae70cec2212,2019.55ad2f282088&linkCode=w61&imprToken=n-LMJ6kaAeLbRPMusOUq7A&slotNum=14](https://www.amazon.com/ACBEE-Perfect-Replacement-Original-Band-Never/dp/B01G2IECXO/ref=as_li_ss_tl?ie=UTF8&linkCode=s11&tag=mbyte-20&linkId=d7045d83d76ae70cec2212,2019.55ad2f282088&linkCode=w61&imprToken=n-LMJ6kaAeLbRPMusOUq7A&slotNum=14)). Website accessed Jun. 12, 2019.

Alfawise H19 RFID Sports Smartwatch Fitness Tracker—Black, for sale at gearbest.com ([https://www.gearbest.com/smart-watches/pp\\_009207049039.html?wid=1433363](https://www.gearbest.com/smart-watches/pp_009207049039.html?wid=1433363)). Website accessed Jun. 12, 2019.

Gold premium NATO Strap Le mans, for sale at cheapestnatostraps.com (<https://www.cheapestnatostraps.com/products/gold-premium-nato-strap-le-mans>). Website accessed Jun. 12, 2019.

Princeton University 18mm NATO Watch Strap with Silver Fittings (<https://www.smartturnout.com/university-watchstrap-princeton-university/>). Website accessed Jun. 12, 2019.

Silicone Rubber Waterproof Watch Strap Band FORTE Spring Bars 20mm 22mm 24mm \_ eBay, available from eBay Australia (<https://www.ebay.com.au/itm/Silicone-Rubber-Waterproof-Watch-Strap-Band-FORTE-Spring-Bars-20mm-22mm-24mm-/272077865335>). Website accessed Jun. 12, 2019.

\* cited by examiner

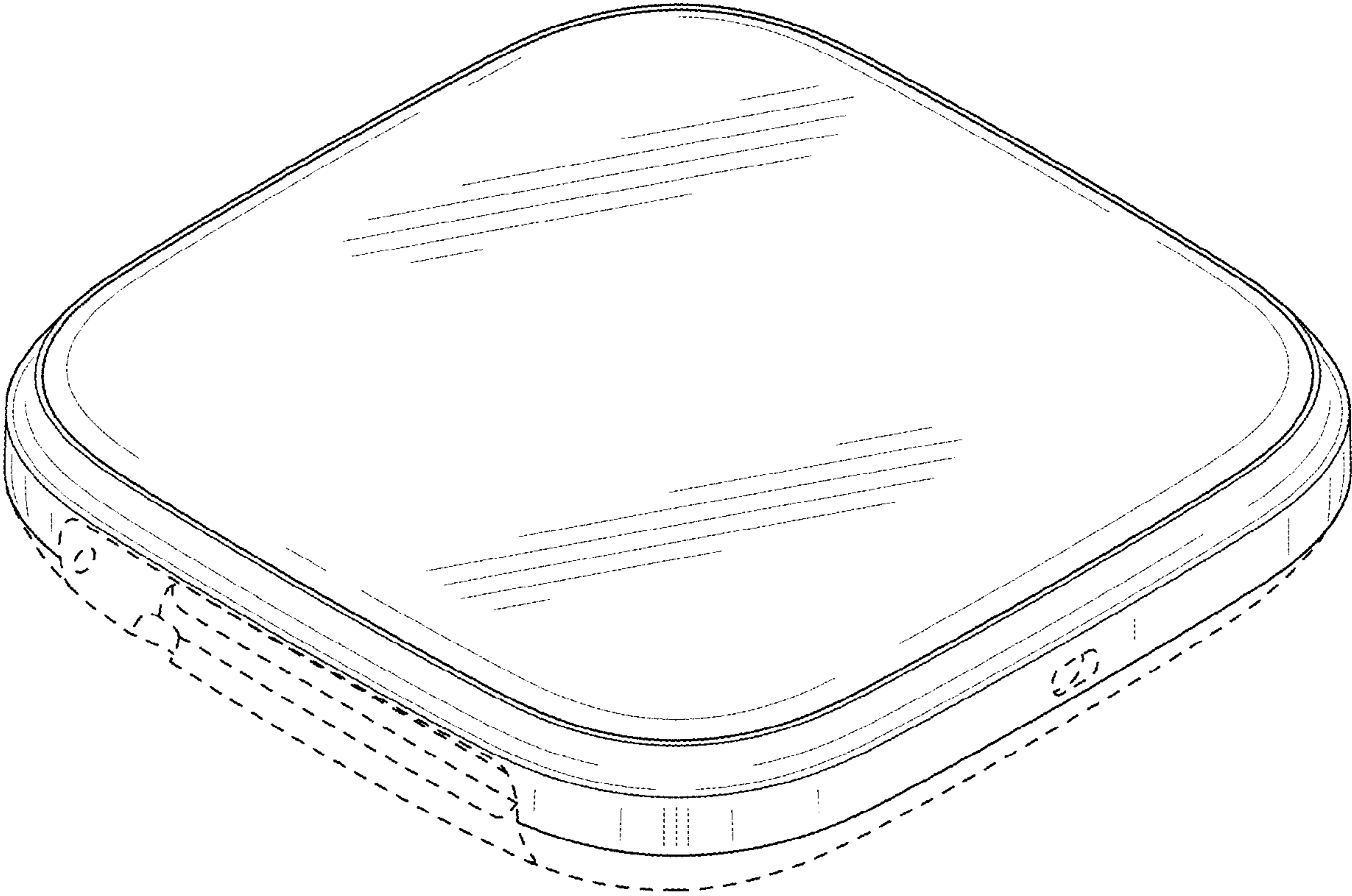


FIG. 1



FIG. 2

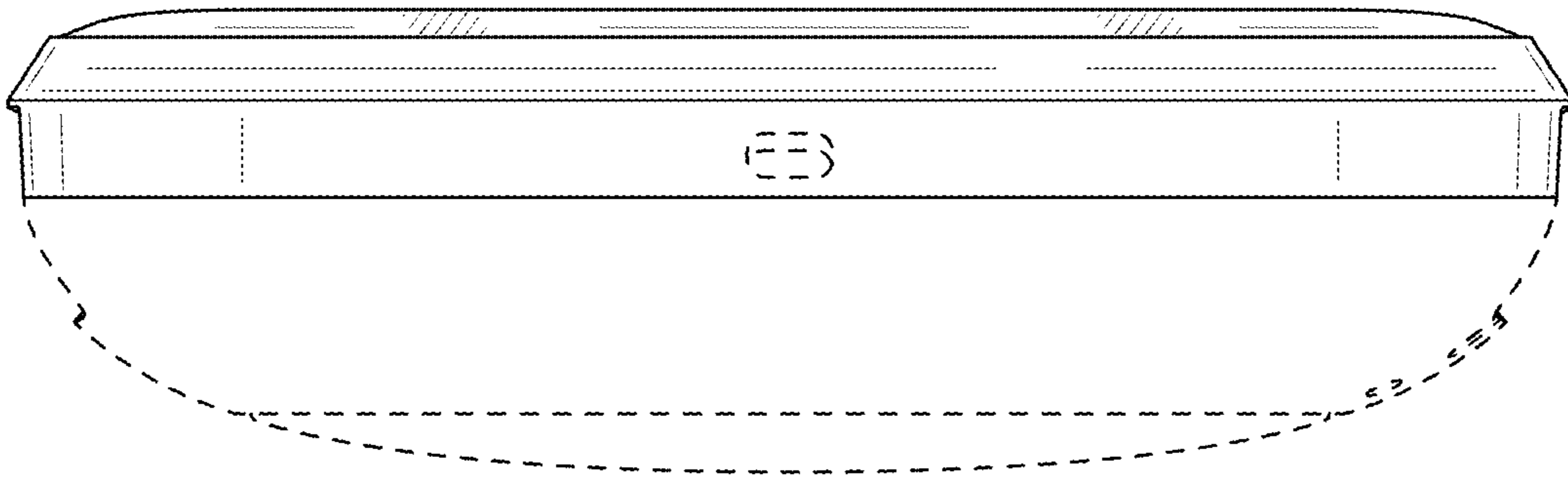


FIG. 3

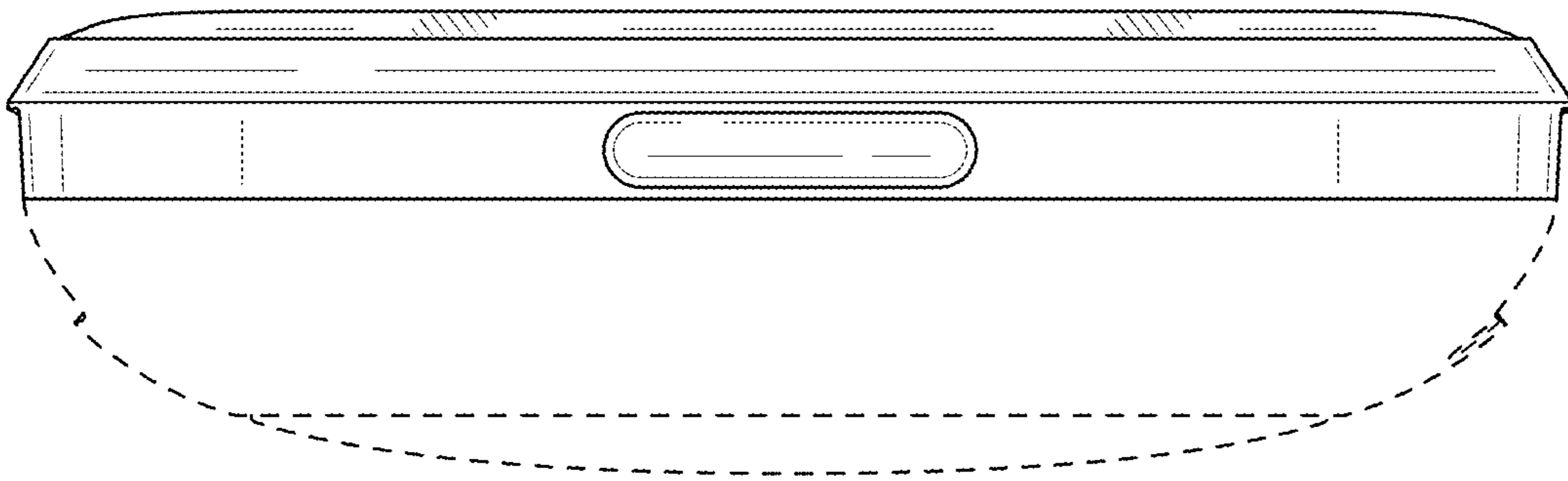


FIG. 4

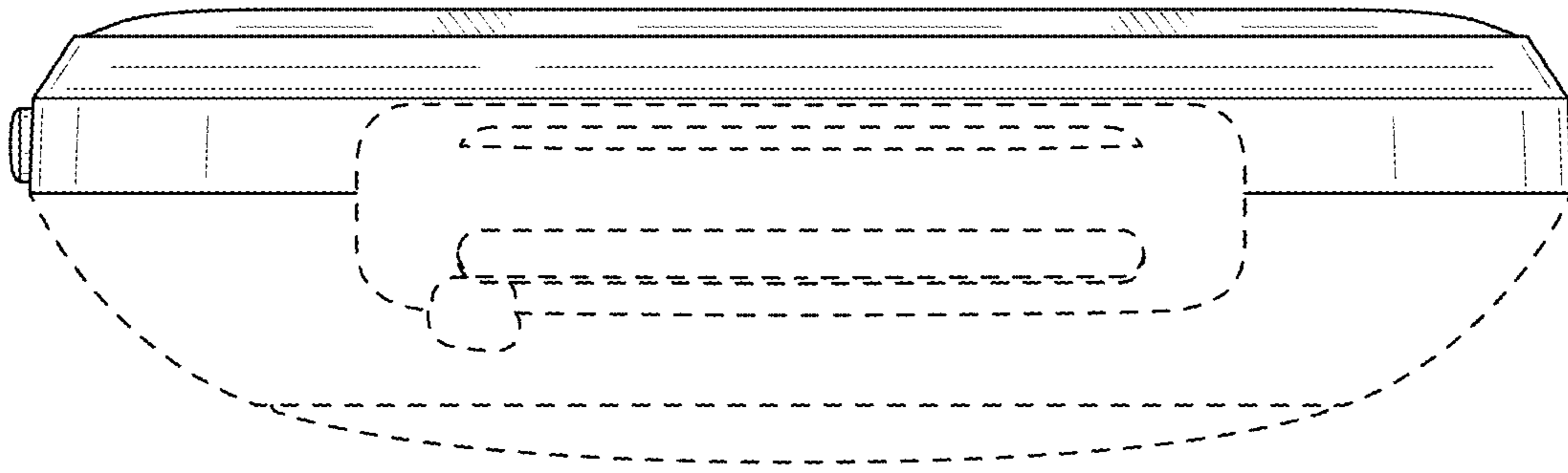


FIG. 5

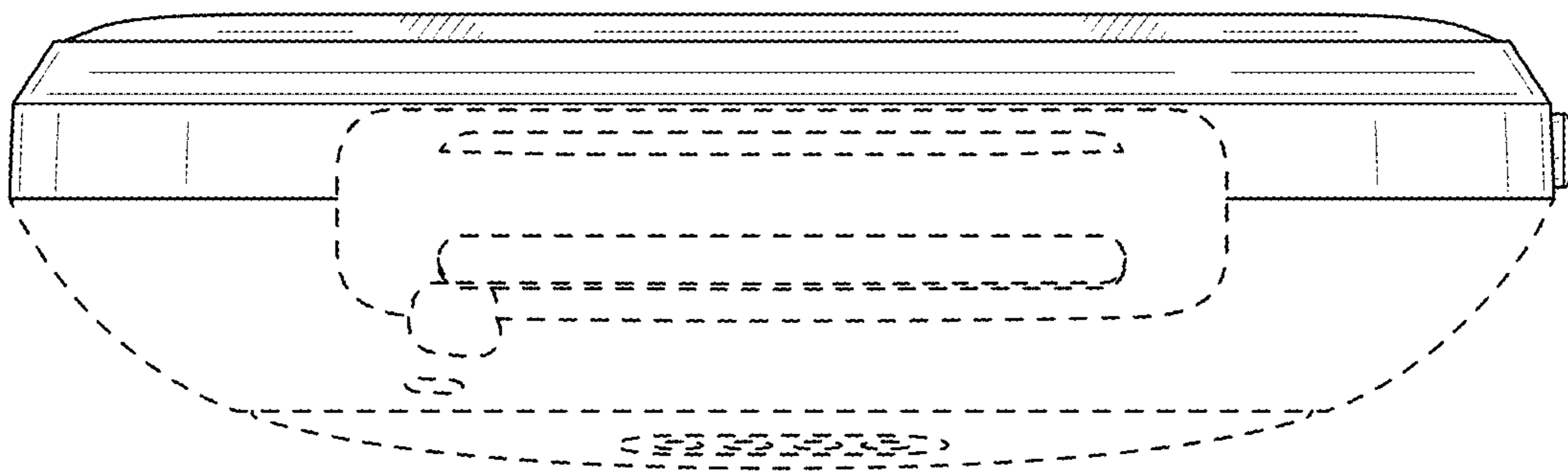


FIG. 6



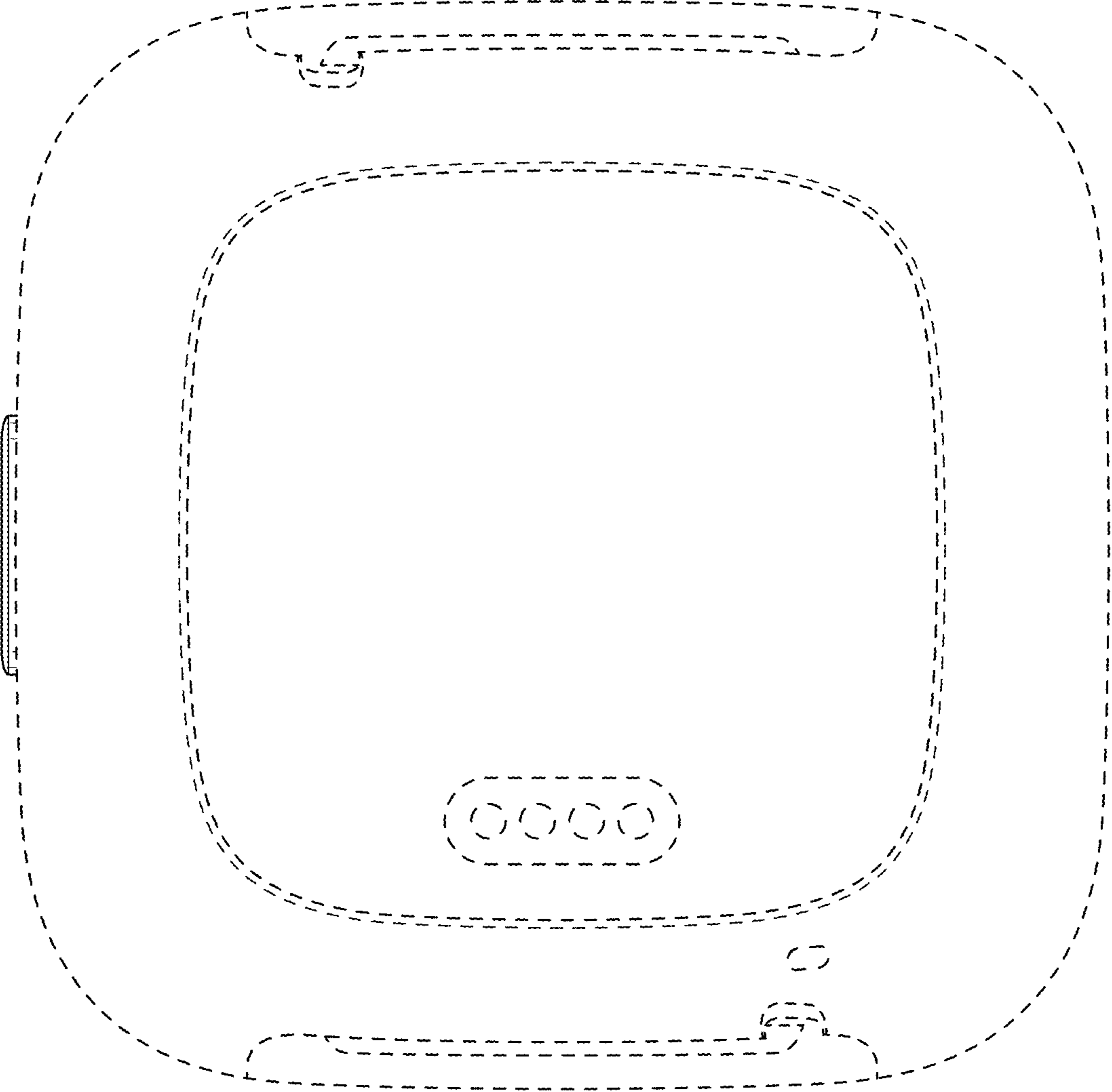


FIG. 7