



US00D895612S

(12) **United States Design Patent**  
**Lechner**

(10) **Patent No.:** **US D895,612 S**

(45) **Date of Patent:** **\*\* Sep. 8, 2020**

(54) **TABLET COMPUTER**

(71) Applicant: **MUSE Electronics GmbH**, Vienna (AT)

(72) Inventor: **Mag. Philipp Lechner**, Vienna (AT)

(73) Assignee: **MUSE Electronics GmbH**, Vienna (AT)

(\*\*) Term: **15 Years**

(21) Appl. No.: **35/506,705**

(22) Filed: **Oct. 4, 2018**

(80) **Hague Agreement Data**

Int. Filing Date: **Oct. 4, 2018**

Int. Reg. No.: **DM/200668**

Int. Reg. Date: **Oct. 4, 2018**

Int. Reg. Pub. Date: **May 3, 2019**

(51) **LOC (12) Cl.** ..... **14-02**

(52) **U.S. Cl.**  
USPC ..... **D14/341**

(58) **Field of Classification Search**  
USPC .... D14/203.4, 316, 317, 319-327, 341, 345,  
D14/346, 347, 501, 502, 507; D21/329,  
D21/330, 331

CPC ..... G06F 1/1616; G06F 1/1637; G06F 1/203;  
G06F 1/1681

See application file for complete search history.

(56) **References Cited**

**U.S. PATENT DOCUMENTS**

D356,547 S *	3/1995	Silva	.....	D14/341
D404,376 S *	1/1999	Shane	.....	D14/341
D451,097 S *	11/2001	Schmeisser	.....	D14/341
D453,149 S *	1/2002	Skoger	.....	D14/138 G
D481,389 S *	10/2003	Owen	.....	D14/358
D483,361 S *	12/2003	Yao	.....	D14/341
D523,840 S *	6/2006	Heath	.....	D14/188
D534,183 S *	12/2006	Leija	.....	D14/496

D548,734 S *	8/2007	Huttunen	.....	D14/341
D574,788 S *	8/2008	Yamamoto	.....	D13/164
D586,823 S *	2/2009	Anderson	.....	D14/496
D613,285 S *	4/2010	Grant	.....	D14/341
D623,214 S *	9/2010	Onoda	.....	D16/130
D635,568 S *	4/2011	Wesolek	.....	D14/346
D655,758 S *	3/2012	Sunabe	.....	D21/330
D686,209 S *	7/2013	Sun	.....	D14/401
D691,131 S *	10/2013	Brown	.....	D14/341
D702,770 S *	4/2014	Burris	.....	D21/329
D710,350 S *	8/2014	Steiger	.....	D14/341
D713,467 S *	9/2014	Sawhney	.....	D21/324
D716,291 S *	10/2014	Burris	.....	D14/341
D720,017 S *	12/2014	Fujino	.....	D14/203.7
D735,715 S *	8/2015	Jeong	.....	D14/341
D736,859 S *	8/2015	Joynes	.....	D14/401
D759,018 S *	6/2016	Subramaniam	.....	D14/434

(Continued)

**OTHER PUBLICATIONS**

Rugged computers for mobile missions, publication date Jan. 25, 2018, [online][site visited Feb. 21, 2020] URL: <https://digital.militaryaerospace.com/militaryaerospace/201801/MobilePagedArticle.action?articleId=1330499#articleId1330499> (Year: 2018).\*

*Primary Examiner* — George D. Kirschbaum

*Assistant Examiner* — L. A. Grabenstetter

(74) *Attorney, Agent, or Firm* — Cowan, Liebowitz & Latman, P.C.; Anastasia Zhadina

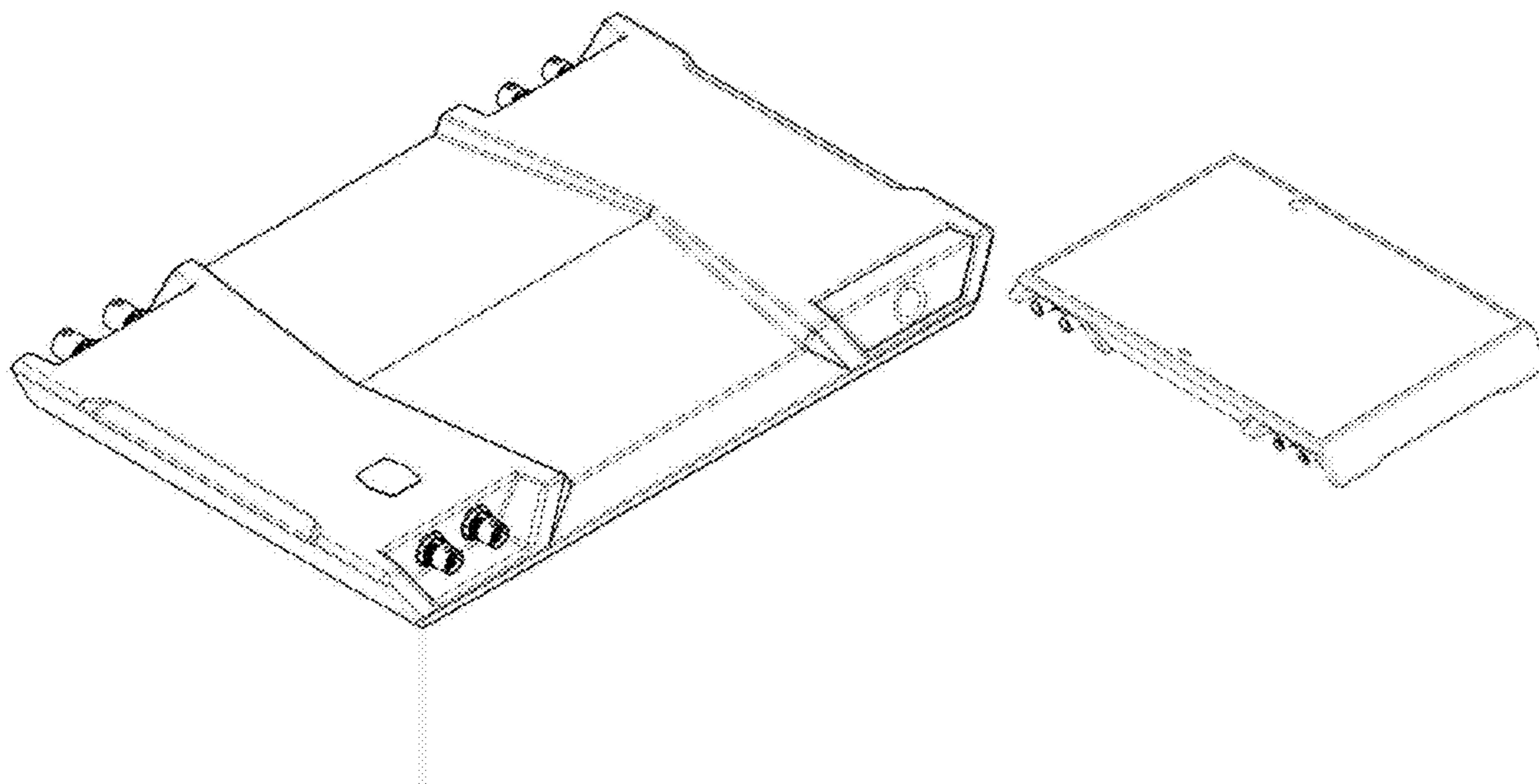
(57) **CLAIM**

The ornamental design for a tablet computer, as shown and described.

**DESCRIPTION**

- 1. Tablet computer
- 1.2 Bottom
- 1.3 Rear
- 1.6 Rear perspective
- 1.8 Front perspective
- 1.9 Front
- 1.11 Top

**1 Claim, 6 Drawing Sheets**



(56)

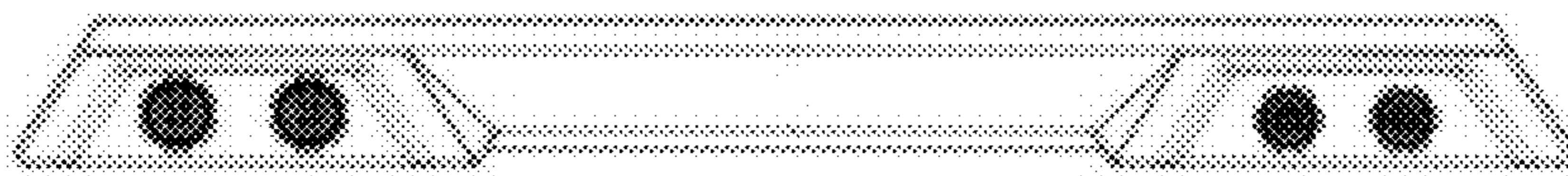
**References Cited**

U.S. PATENT DOCUMENTS

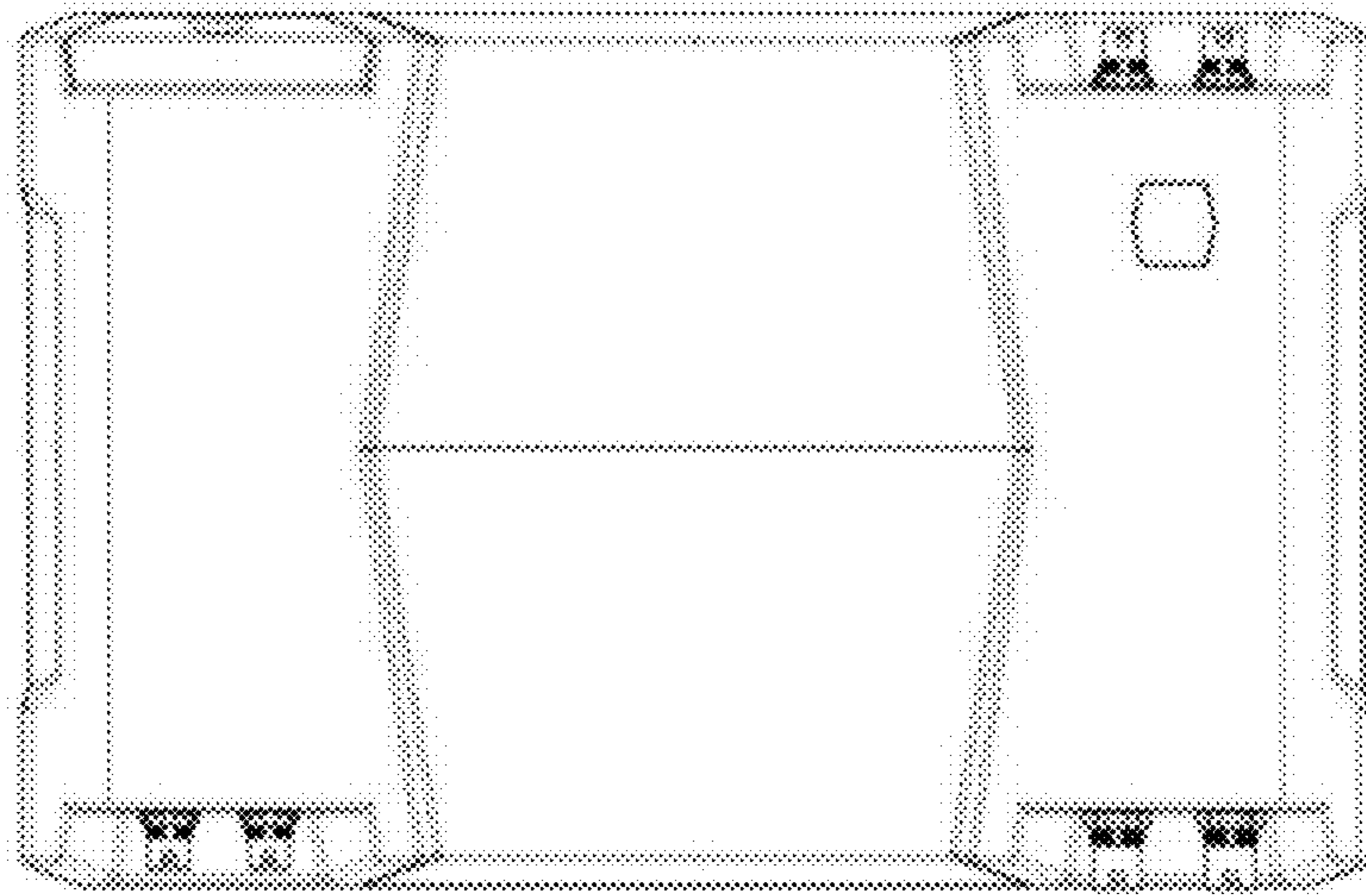
D785,585 S \* 5/2017 Ismail ..... D14/137  
D819,696 S \* 6/2018 Ehara ..... D14/496

\* cited by examiner

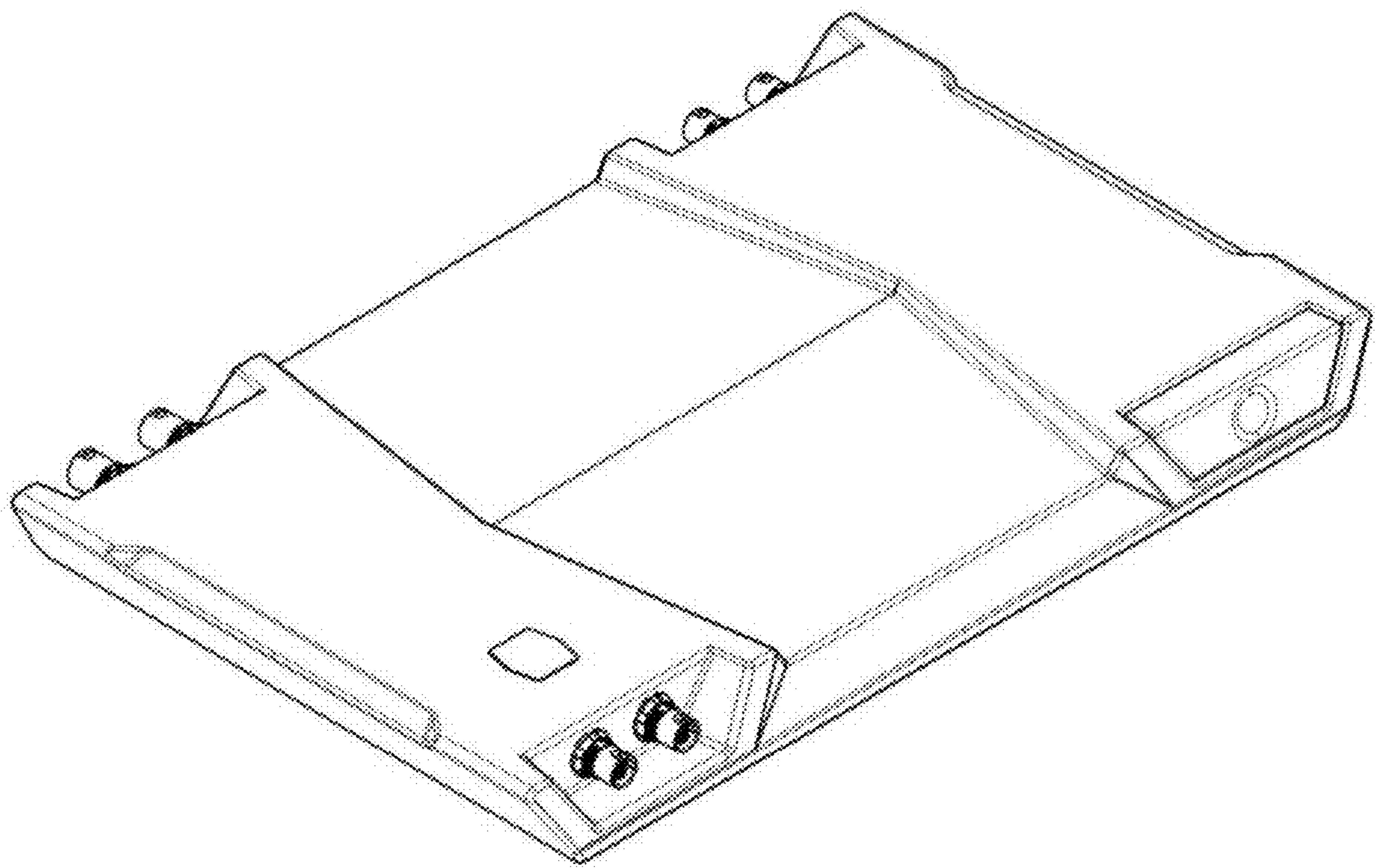
1.2



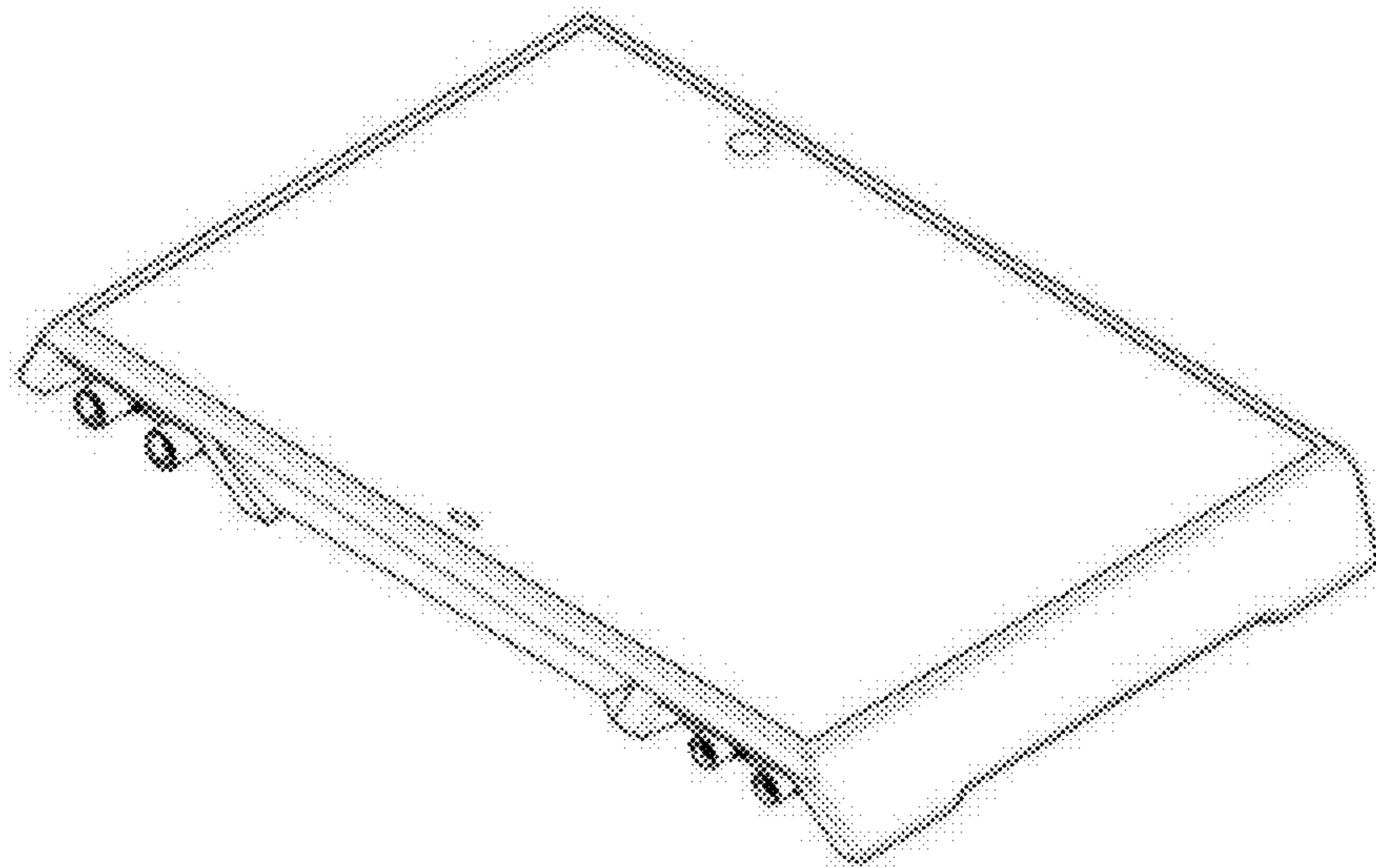
1.3



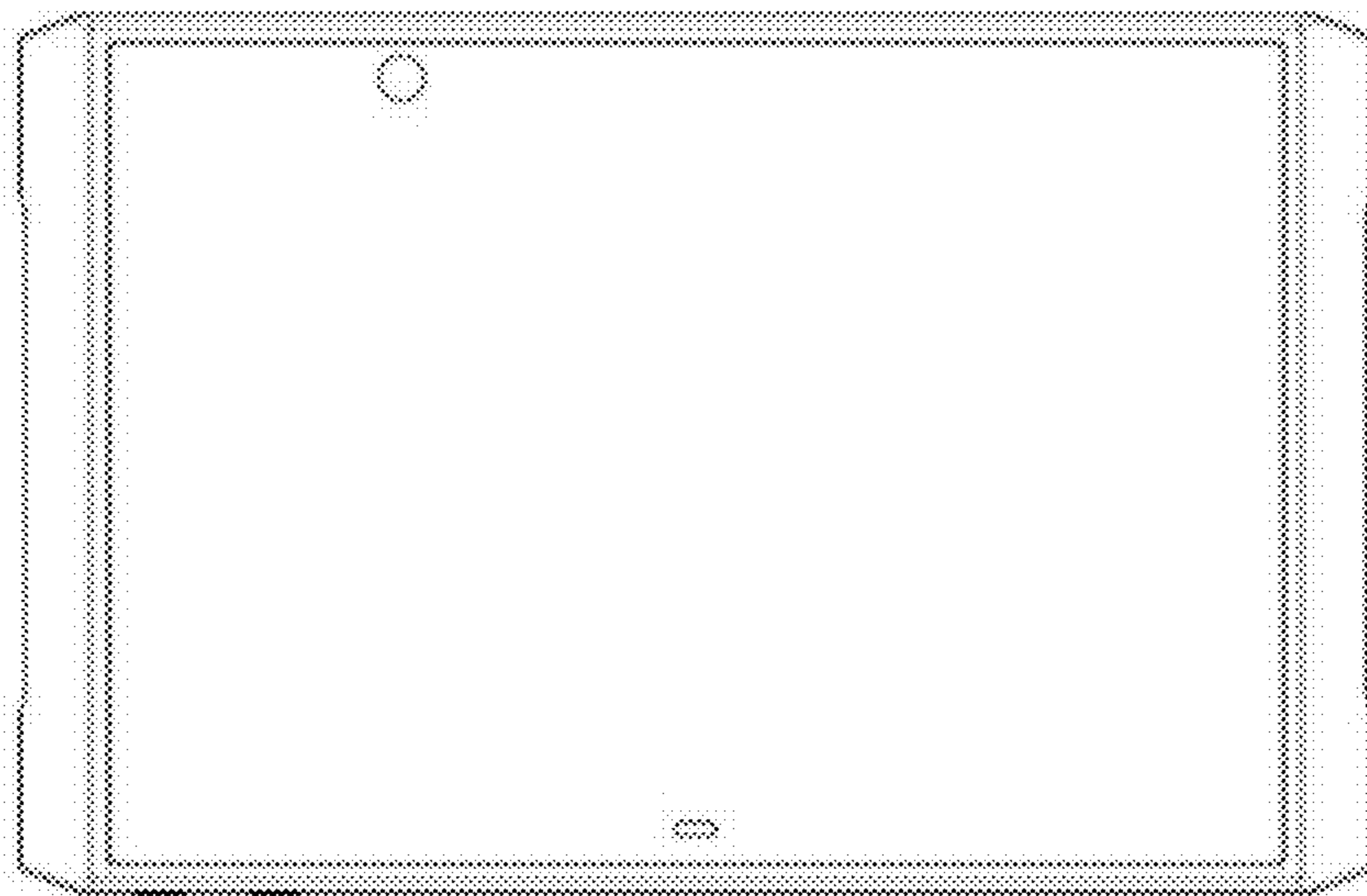
1.6



1.8



1.9



**1.11**

