



US00D895609S

(12) **United States Design Patent** (10) **Patent No.:** **US D895,609 S**  
**Berry et al.** (45) **Date of Patent:** **\*\* Sep. 8, 2020**

(54) **ELECTRONIC DEVICE**

(71) Applicant: **Intel Corporation**, Santa Clara, CA (US)

(72) Inventors: **Stephen D. Berry**, Bastrop, TX (US);  
**David M. Collins**, Portland, OR (US);  
**Randall W. Martin**, Conroe, TX (US)

(73) Assignee: **Intel Corporation**, Santa Clara, CA (US)

(\*\*) Term: **15 Years**

(21) Appl. No.: **29/630,874**

(22) Filed: **Dec. 22, 2017**

(51) **LOC (12) Cl.** ..... **14-02**

(52) **U.S. Cl.**  
USPC ..... **D14/315**

(58) **Field of Classification Search**  
USPC ..... D14/300–302, 315–316, 318, 320, 322,  
D14/328, 333–335, 345, 348, 392, 434,  
D14/455–457  
CPC ..... G06F 1/1616; G06F 1/1618; G06F 1/162;  
G06F 1/1624; G06F 1/1632; H05K  
5/0234; H05K 5/0017; H05K 5/0226  
See application file for complete search history.

(56) **References Cited**

**U.S. PATENT DOCUMENTS**

D375,116 S *	10/1996	Chiba	.....	D14/334
6,392,871 B1 *	5/2002	Yanase	.....	G06F 1/162 345/905
7,221,330 B2 *	5/2007	Finke-Anlauff	.....	G06F 1/1616 345/1.1
D687,037 S *	7/2013	Zhou	.....	D14/434
D741,070 S *	10/2015	Martin	.....	D14/375
9,152,190 B2 *	10/2015	Heymann	.....	G06F 1/203
D759,018 S *	6/2016	Subramaniam	.....	D14/434

(Continued)

*Primary Examiner* — Sandra S Snapp

*Assistant Examiner* — Katherine Glennon

(74) *Attorney, Agent, or Firm* — Schwegman Lundberg & Woessner, P.A.

(57) **CLAIM**

The ornamental design for an electronic device, as shown and described.

**DESCRIPTION**

FIG. 1 is a front view of an electronic device (e.g., a notebook computer with a receptacle for an electronic module), showing our new design, in an opened operating configuration.

FIG. 2 is a rear view thereof.

FIG. 3 is a left side view thereof.

FIG. 4 is a right side view thereof.

FIG. 5 is a top view thereof.

FIG. 6 is a bottom view thereof.

FIG. 7 is a top-front-right perspective view thereof.

FIG. 8 is a bottom-front-left perspective view thereof.

FIG. 9 is a bottom-rear-right perspective view thereof.

FIG. 10 is a top-rear-left perspective view thereof.

FIG. 11 is a front view of the electronic device, in a closed operating configuration.

FIG. 12 is a rear view thereof.

FIG. 13 is a left side view thereof.

FIG. 14 is a right side view thereof.

FIG. 15 is a top view thereof.

FIG. 16 is a bottom view thereof.

FIG. 17 is a top-front-right perspective view thereof.

FIG. 18 is a bottom-front-left perspective view thereof.

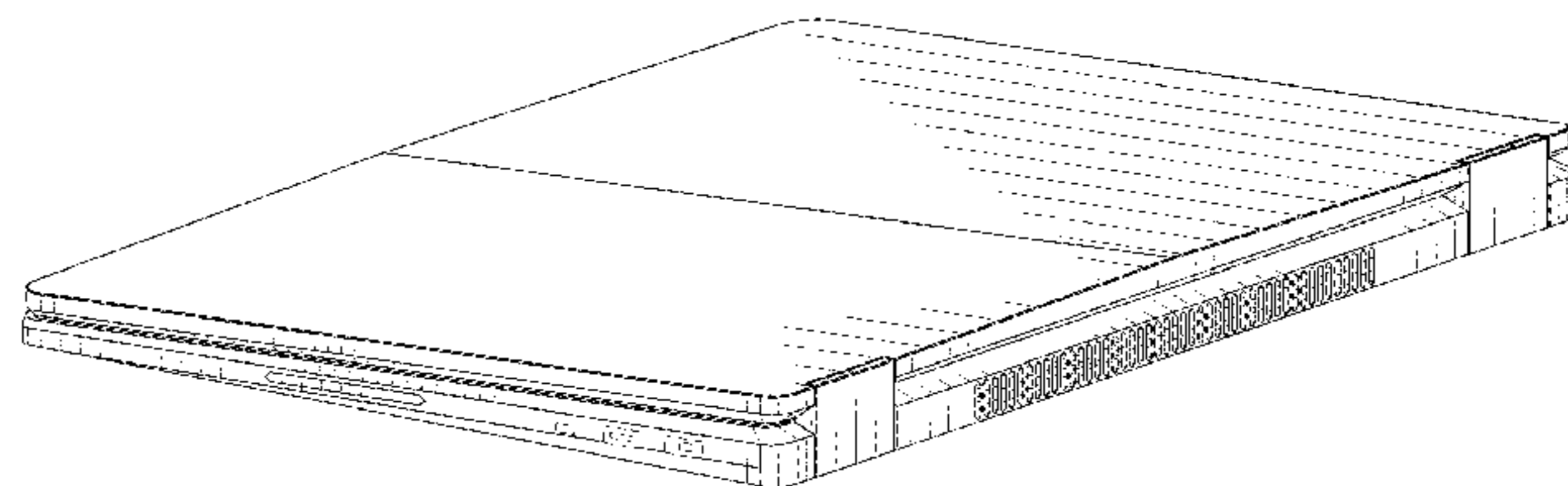
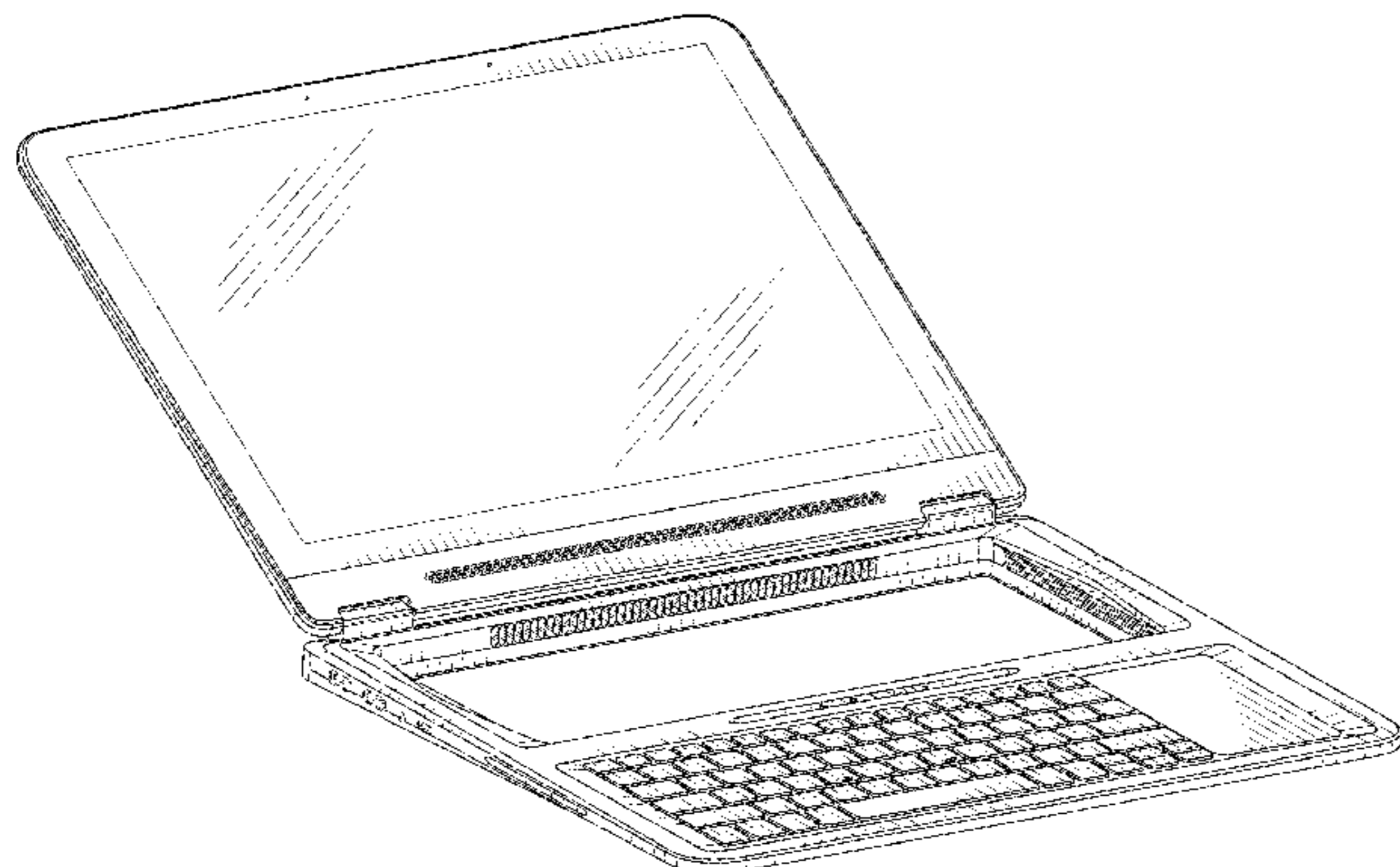
FIG. 19 is a bottom-rear-right perspective view thereof; and,

FIG. 20 is a top-rear-left perspective view thereof.

The broken line showings of connector ports and screw heads are for the purpose of illustrating portions of the electronic device that form no part of the claimed design.

The shade lines show surface contour and not surface ornamentation.

**1 Claim, 14 Drawing Sheets**



(56)

**References Cited**

## U.S. PATENT DOCUMENTS

9,363,904	B1 *	6/2016	Szeto	.....	H01R 13/6205
D783,599	S *	4/2017	Bai	.....	D14/315
9,729,683	B2 *	8/2017	Okuley	.....	H04M 1/0254
D816,086	S *	4/2018	Chen	.....	D14/434
D843,367	S *	3/2019	Magi	.....	D14/331
D848,442	S *	5/2019	Okuley	.....	D14/447
D860,210	S *	9/2019	Collins	.....	D14/434
2008/0062625	A1 *	3/2008	Batio	.....	G06F 1/1615 361/679.29
2012/0274565	A1 *	11/2012	Moser	.....	G06F 1/1616 345/168
2014/0139990	A1 *	5/2014	Moser	.....	G06F 1/1616 361/679.11
2015/0138094	A1 *	5/2015	Kim	.....	G06F 1/1632 345/168
2015/0185770	A1 *	7/2015	Martin	.....	G06F 1/1616 312/223.2
2016/0349989	A1 *	12/2016	Yu	.....	G06F 3/04897
2017/0277228	A1 *	9/2017	Wong	.....	G06F 1/1618
2018/0210504	A1 *	7/2018	Moser	.....	G06F 1/1649
2018/0343760	A1 *	11/2018	Lee	.....	G06F 1/1626

\* cited by examiner

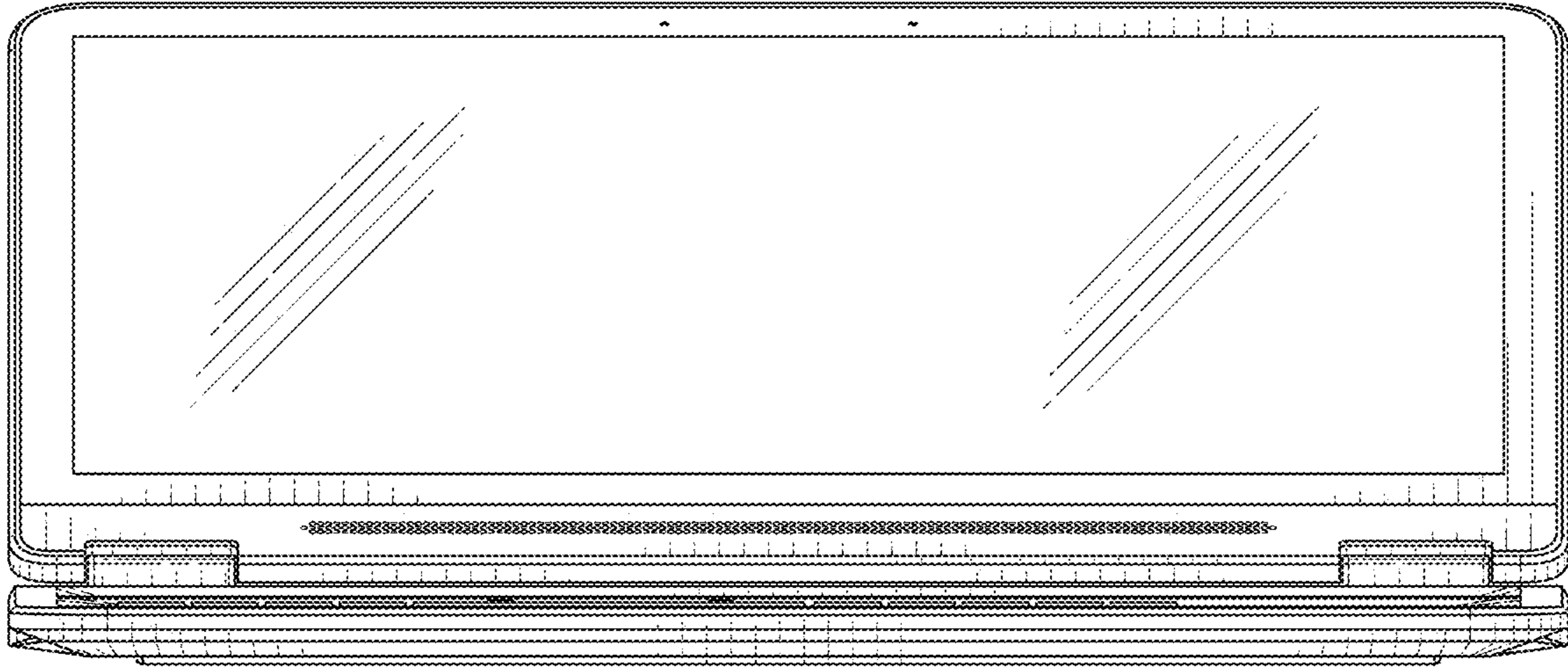


FIG. 1

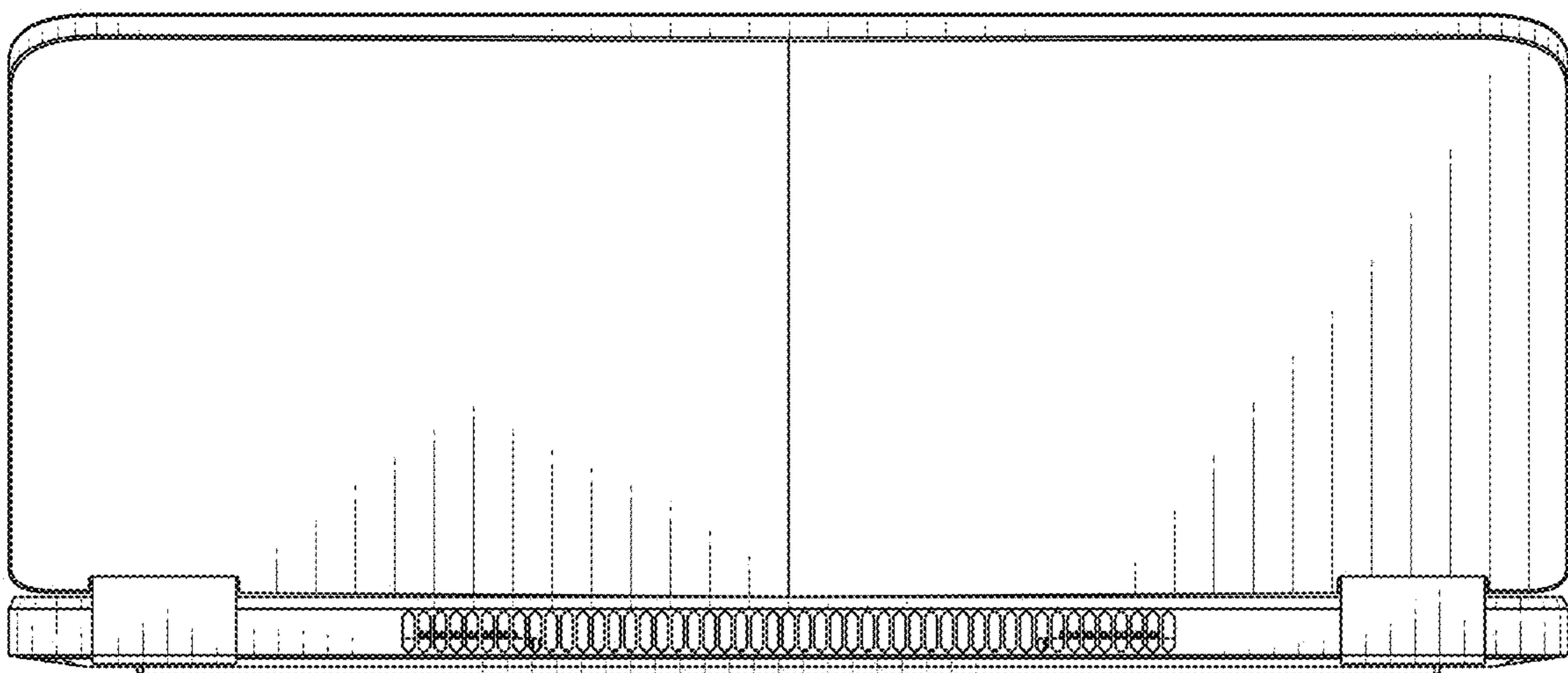


FIG. 2

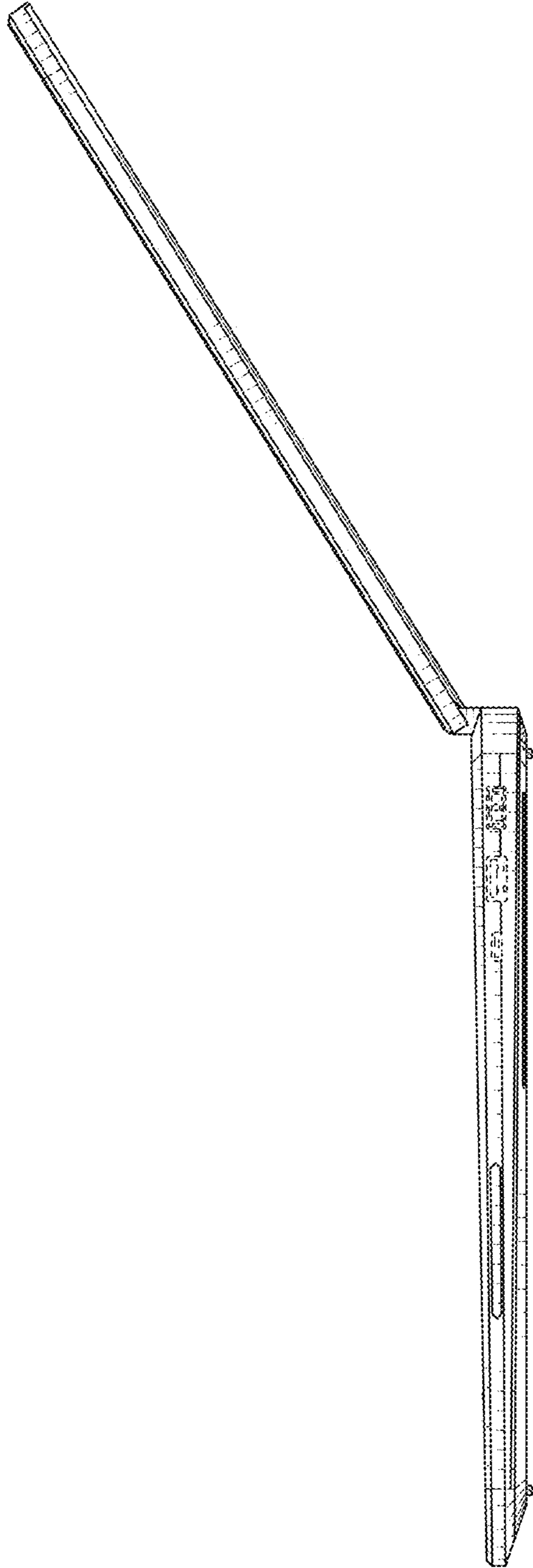


FIG. 3

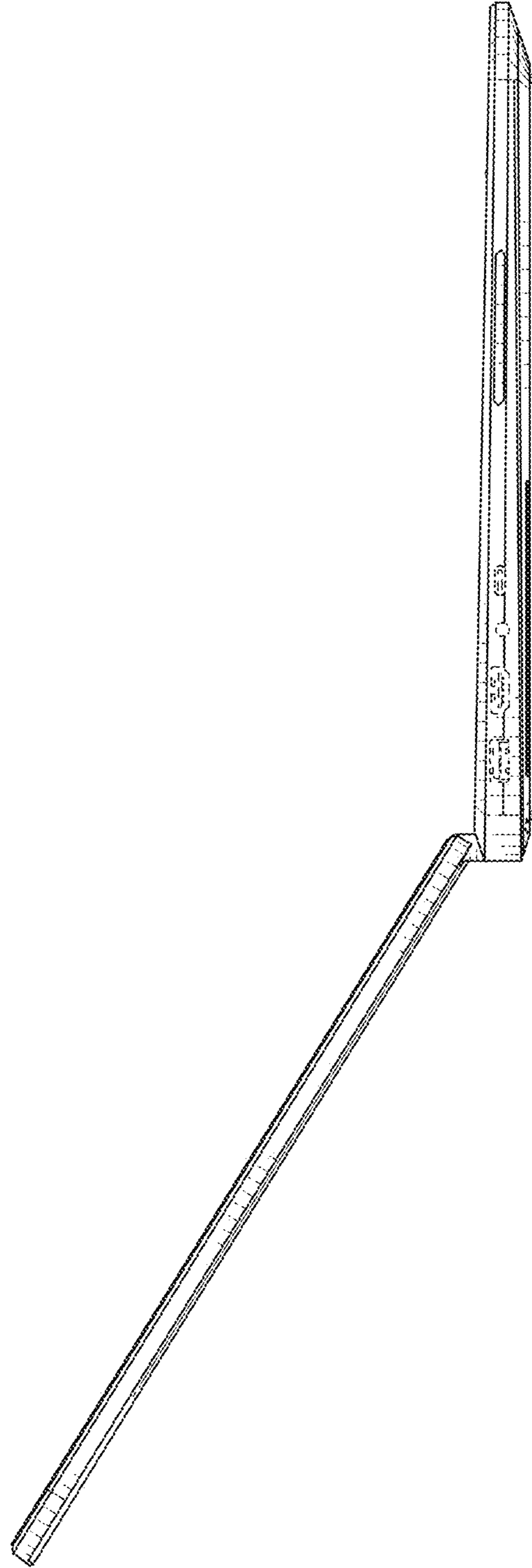


FIG. 4

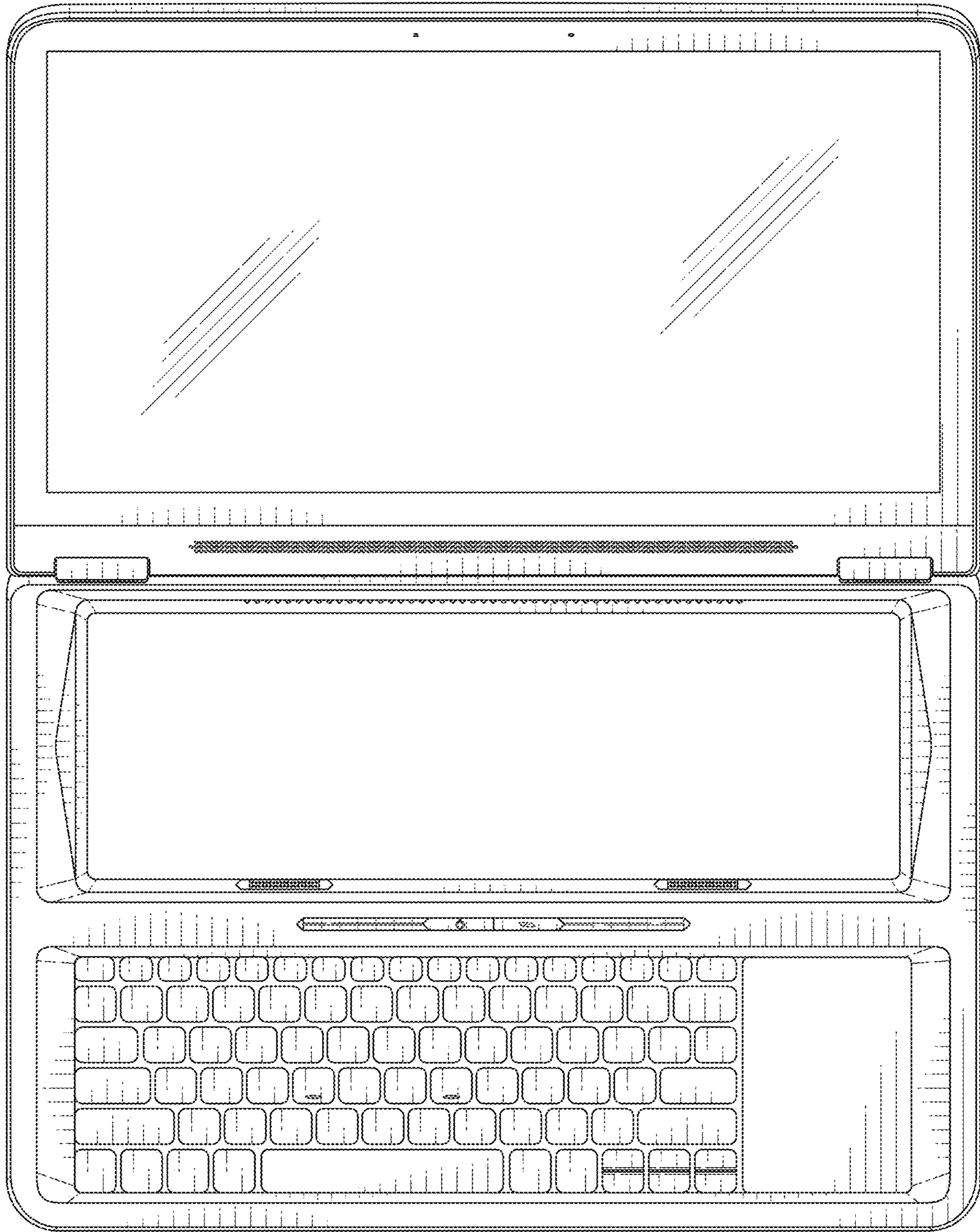


FIG. 5

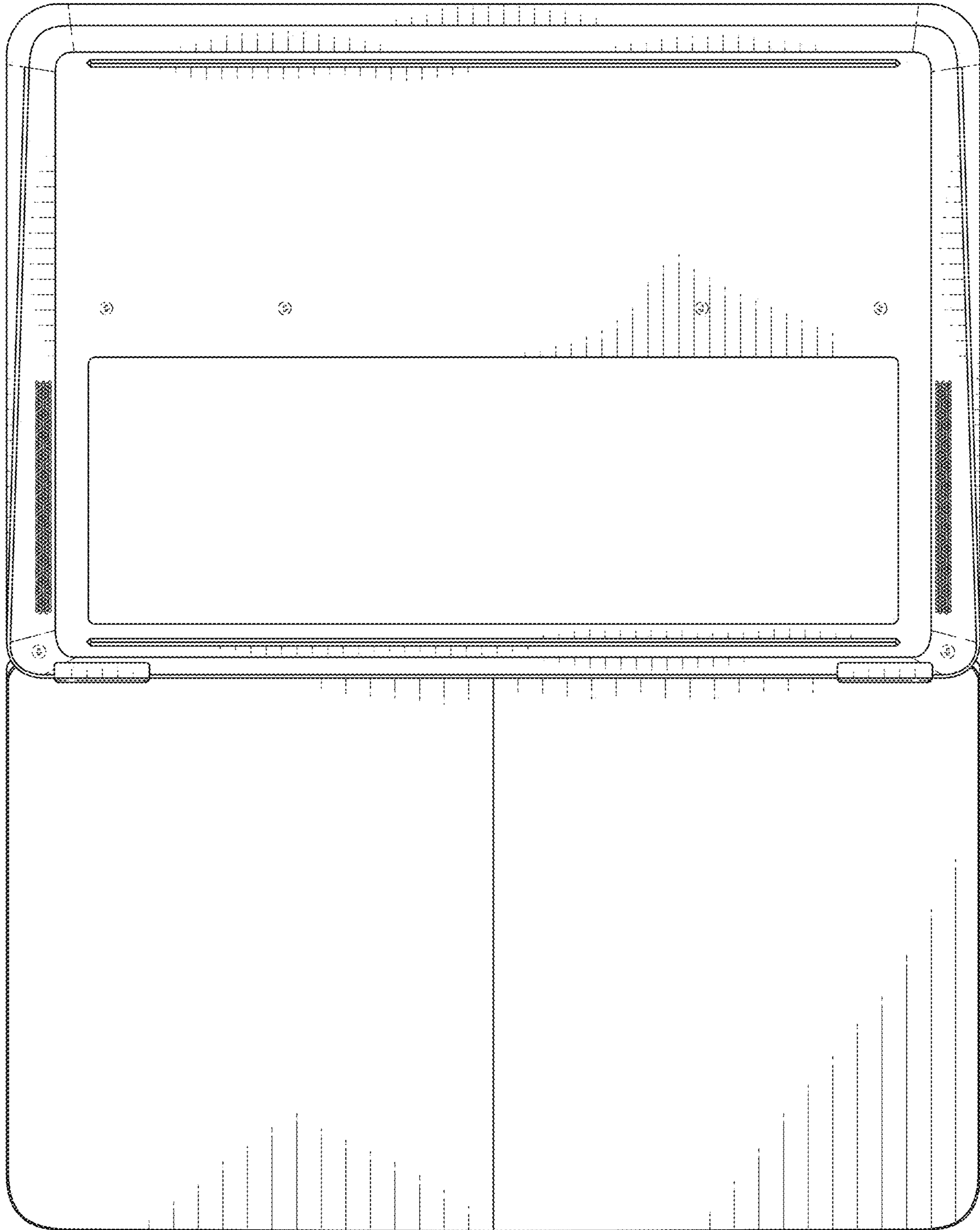


FIG. 6

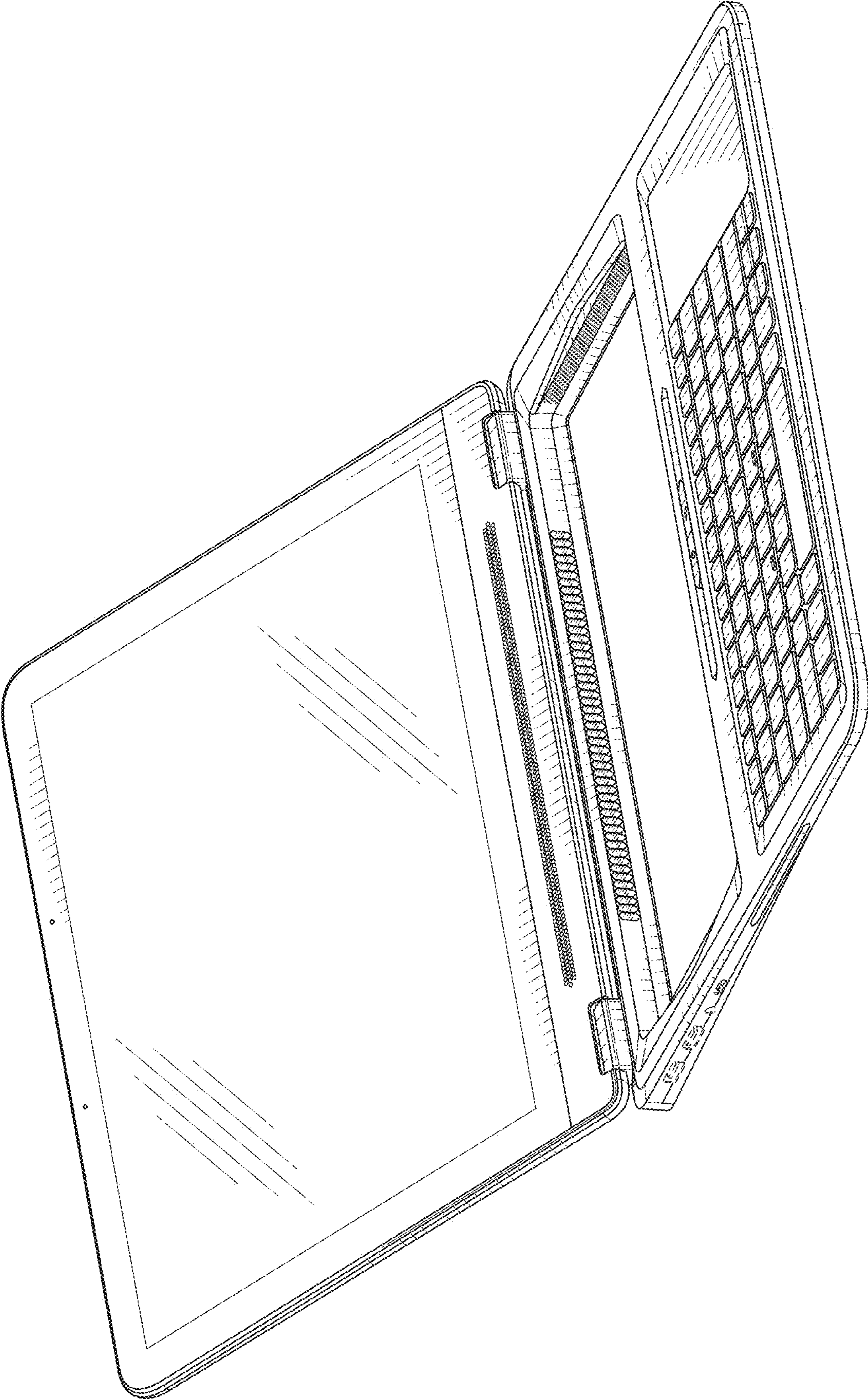


FIG. 7

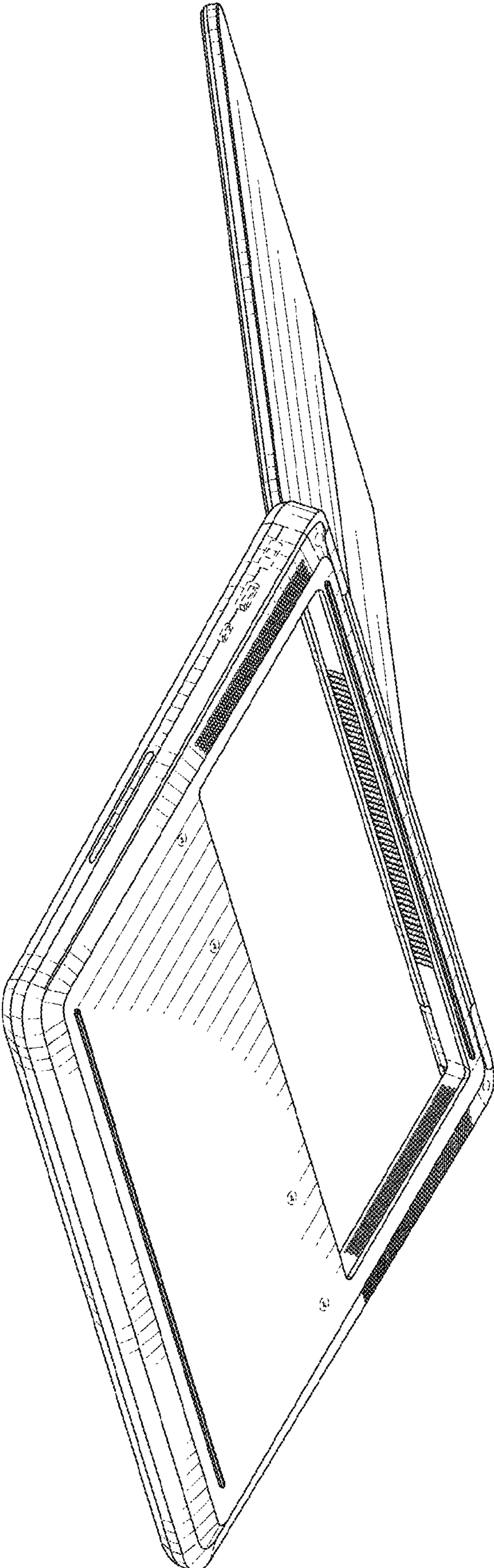


FIG. 8



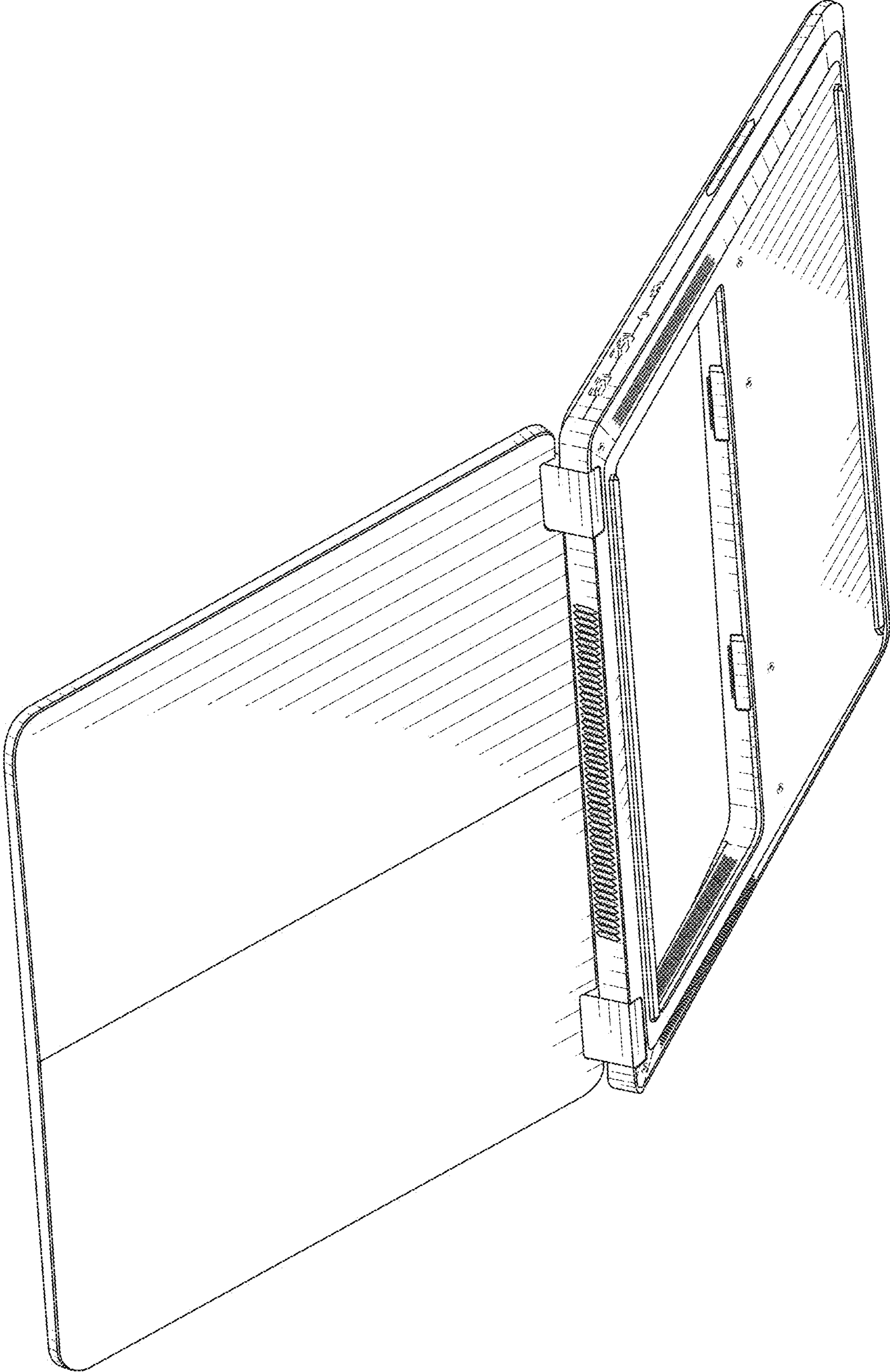


FIG. 9

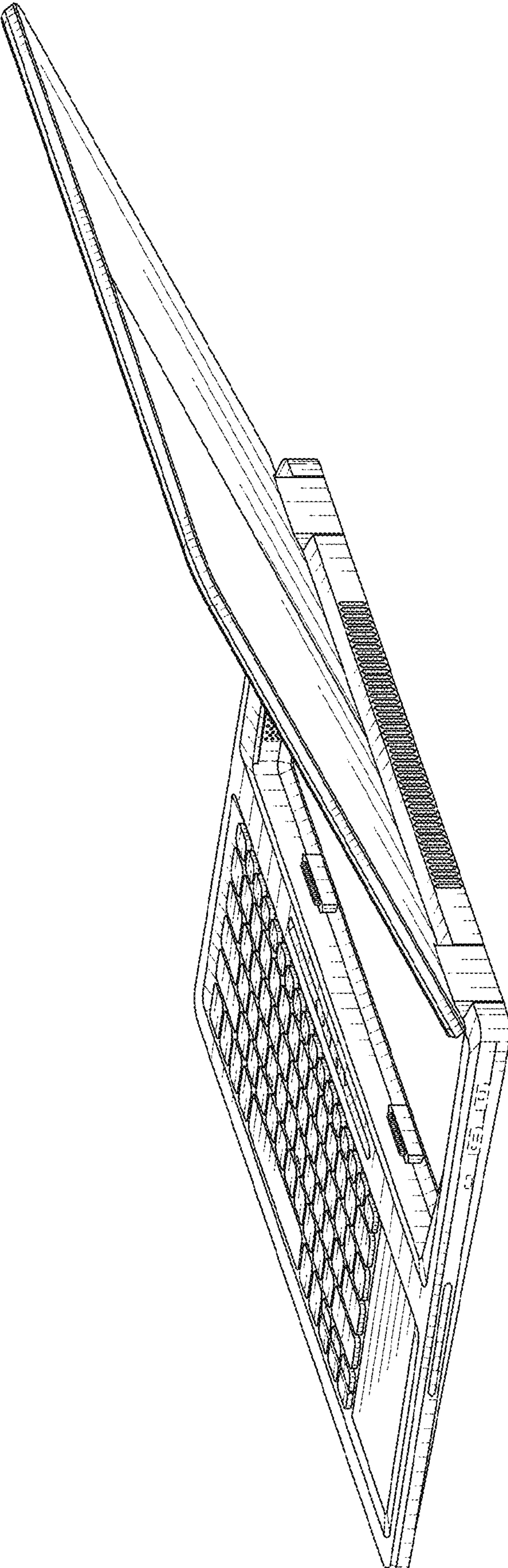


FIG. 10

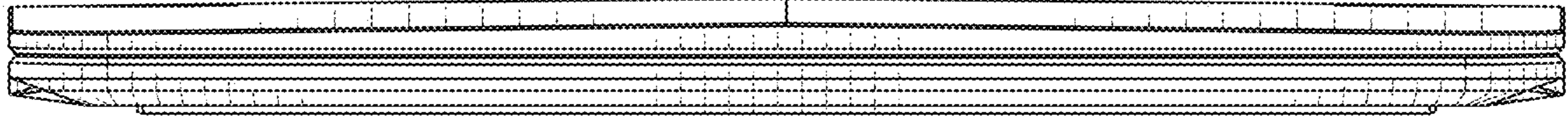


FIG. 11

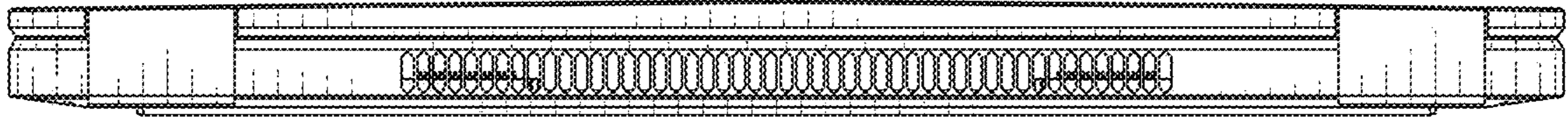


FIG. 12

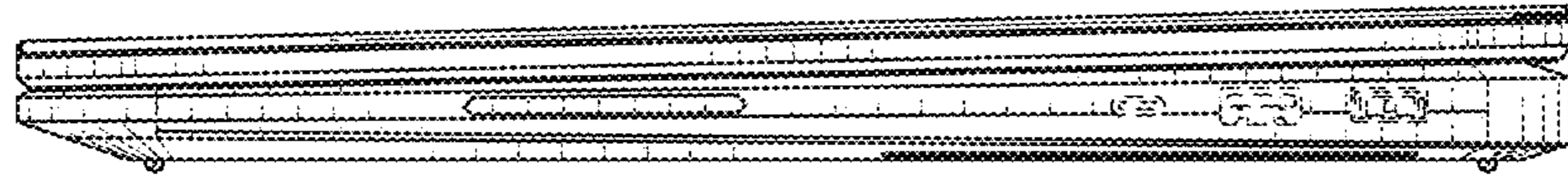


FIG. 13

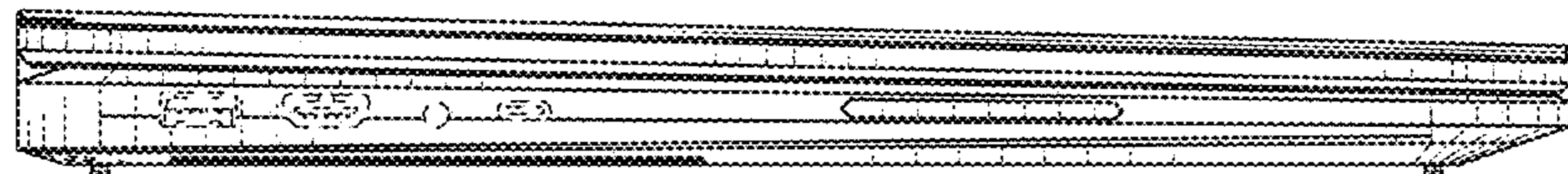


FIG. 14

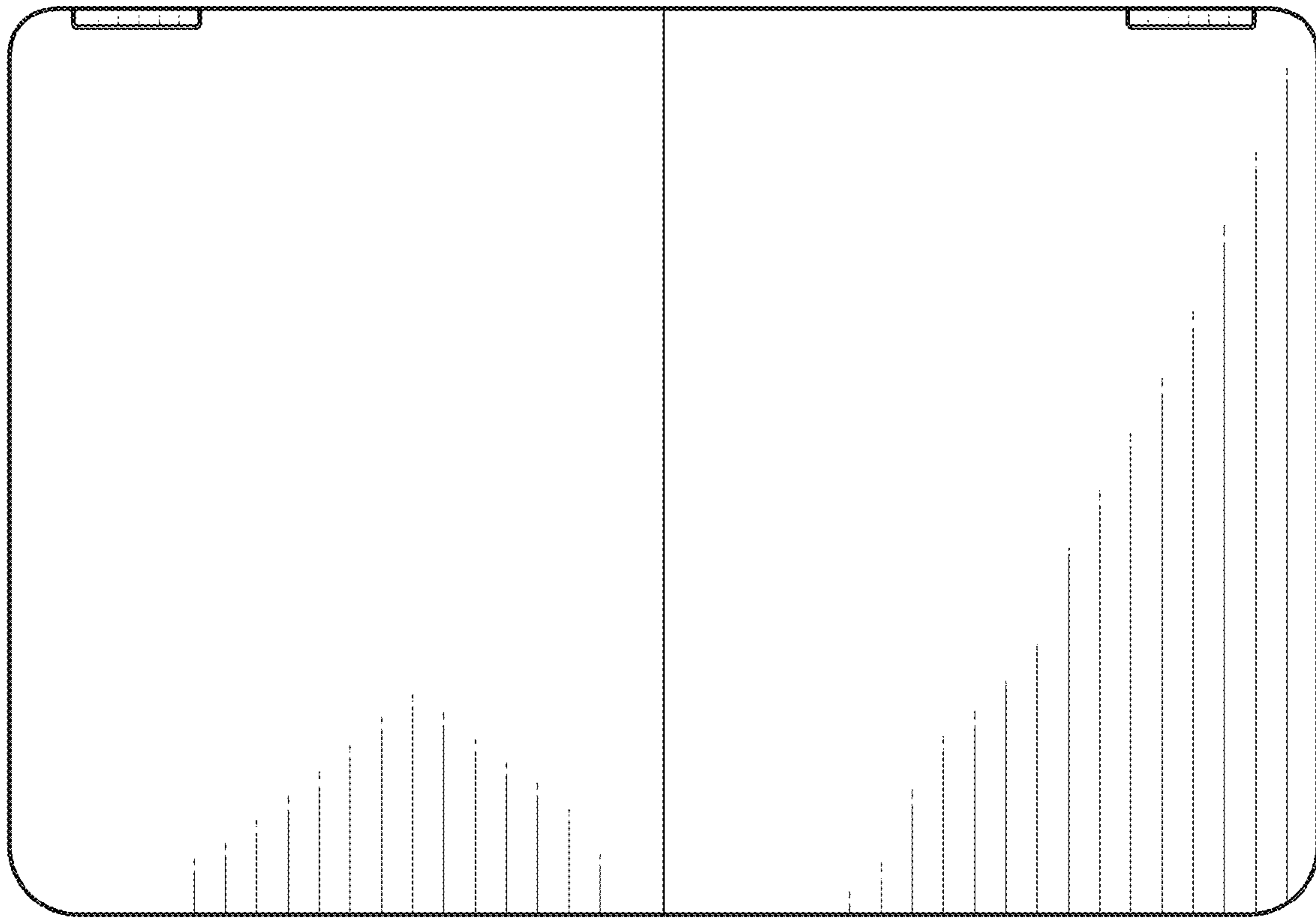


FIG. 15

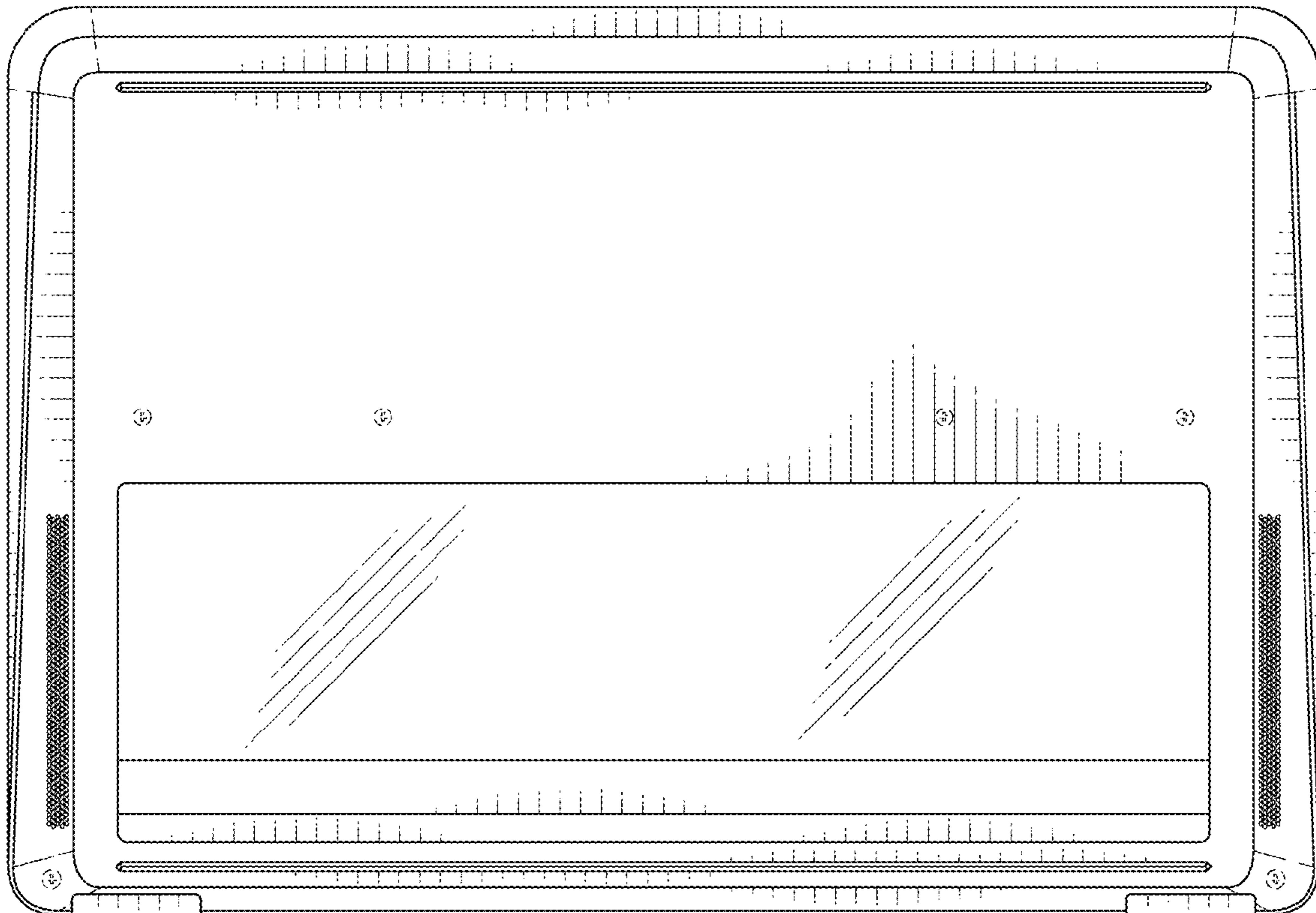


FIG. 16

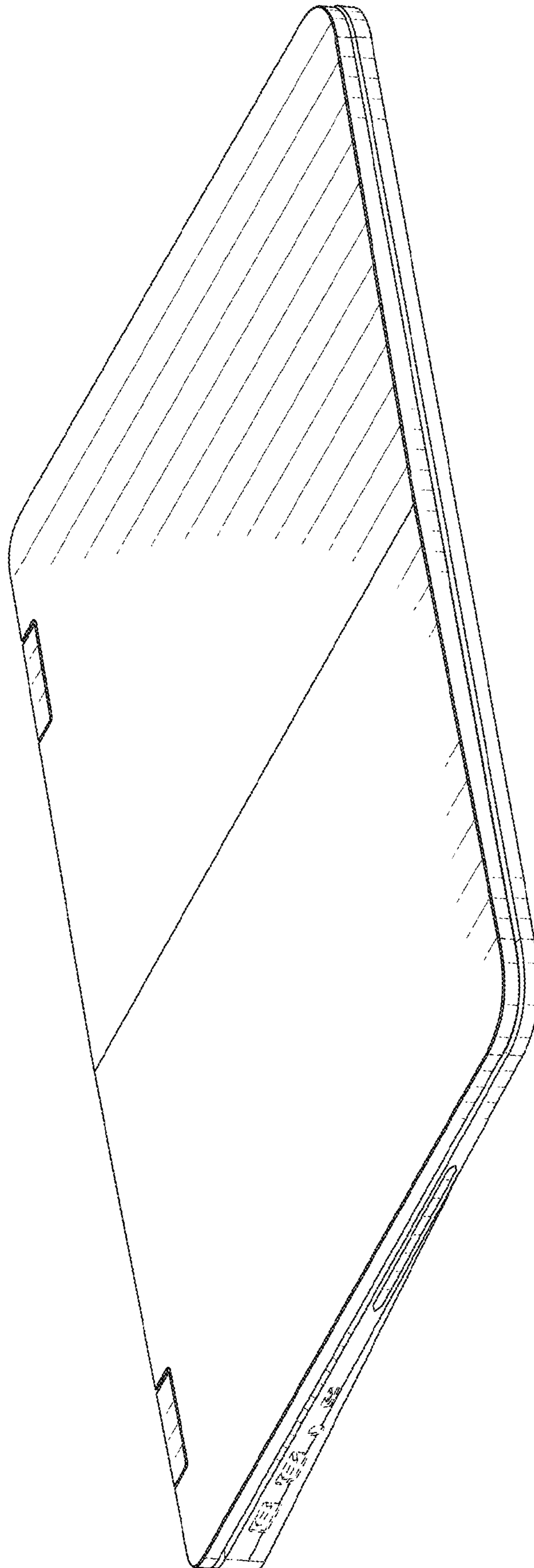


FIG. 17

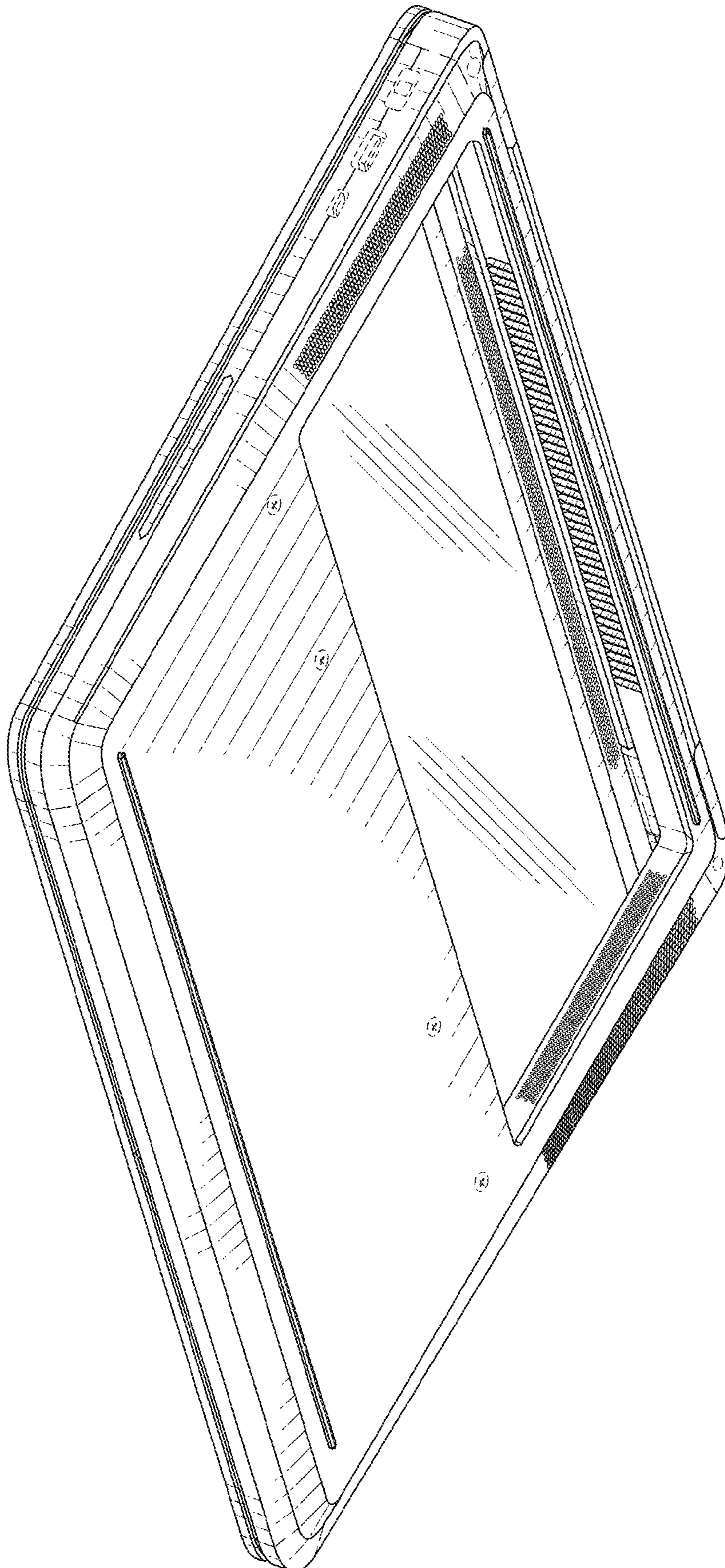


FIG. 18

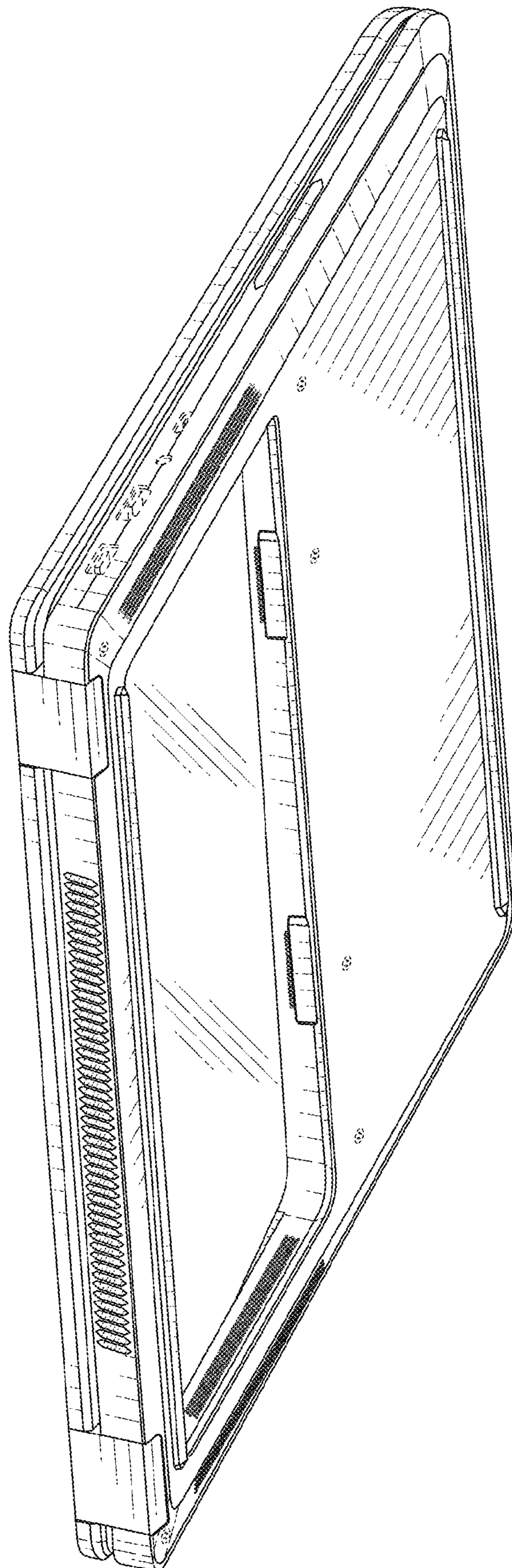


FIG. 19

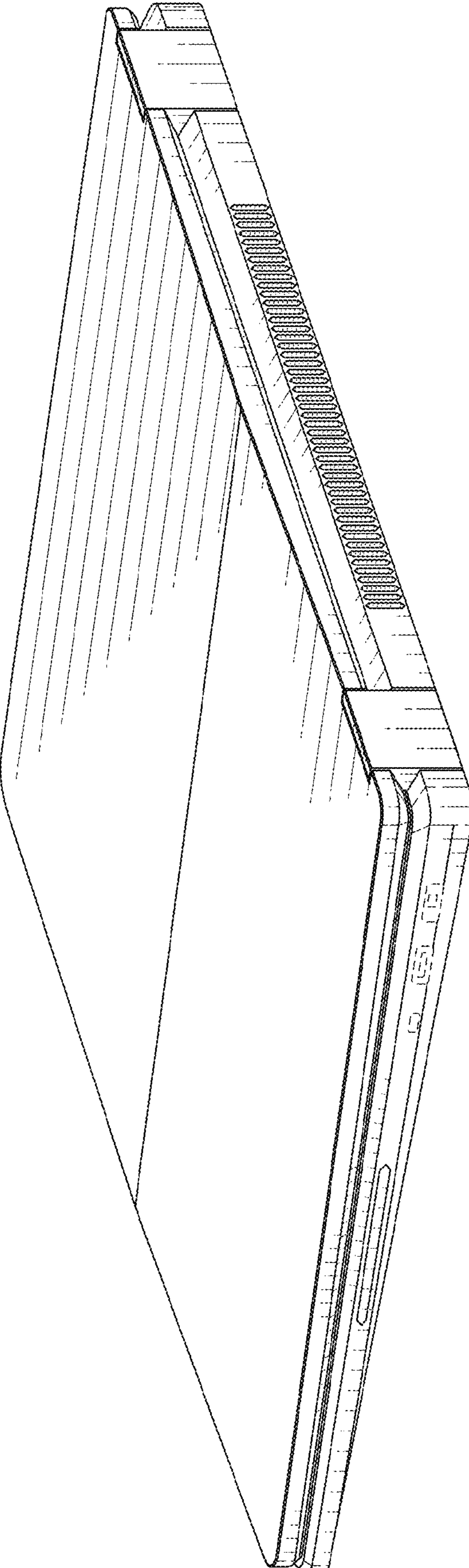


FIG. 20