



US00D895608S

(12) **United States Design Patent** (10) **Patent No.:** **US D895,608 S**
Akana et al. (45) **Date of Patent:** **** Sep. 8, 2020**

(54) **ELECTRONIC DEVICE**

(71) Applicant: **Apple Inc.**, Cupertino, CA (US)

(72) Inventors: **Jody Akana**, San Francisco, CA (US); **Molly Anderson**, San Francisco, CA (US); **Bartley K. Andre**, Palo Alto, CA (US); **Shota Aoyagi**, San Francisco, CA (US); **Anthony Michael Ashcroft**, San Francisco, CA (US); **Marine C. Bataille**, San Francisco, CA (US); **Jeremy Bataillou**, San Francisco, CA (US); **Abidur Chowdhury**, San Francisco, CA (US); **Markus Diebel**, San Francisco, CA (US); **Daniele De Iuliis**, San Francisco, CA (US); **M. Evans Hankey**, San Francisco, CA (US); **Julian Hoenig**, San Francisco, CA (US); **Richard P. Howarth**, San Francisco, CA (US); **Jonathan P. Ive**, San Francisco, CA (US); **Julian Jaede**, San Francisco, CA (US); **Duncan Robert Kerr**, San Francisco, CA (US); **Peter Russell-Clarke**, San Francisco, CA (US); **Benjamin Andrew Shaffer**, San Jose, CA (US); **Mikael Silvanto**, San Francisco, CA (US); **Joe Sung-Ho Tan**, San Francisco, CA (US); **Clement Tissandier**, San Francisco, CA (US); **Eugene Antony Whang**, San Francisco, CA (US); **Rico Zörkendörfer**, San Francisco, CA (US)

(73) Assignee: **Apple Inc.**, Cupertino, CA (US)

(**) Term: **15 Years**

(21) Appl. No.: **29/712,528**

(22) Filed: **Nov. 8, 2019**

Related U.S. Application Data

(63) Continuation of application No. 29/693,114, filed on May 31, 2019.

(51) **LOC (12) Cl.** 14-02

(52) **U.S. Cl.**
USPC **D14/314**

(58) **Field of Classification Search**
USPC D14/140.1, 140.2, 240, 242, 301-302, D14/308, 348-349, 351-359, 440-441,
(Continued)

(56) **References Cited**

U.S. PATENT DOCUMENTS

D333,655 S * 3/1993 Weber D13/164
D334,561 S * 4/1993 Crater D13/110
(Continued)

FOREIGN PATENT DOCUMENTS

CN 302885135 * 7/2014
CN 304287966 * 9/2017
(Continued)

OTHER PUBLICATIONS

Mac Pro, Apple, apple.com, author not listed, author and date not listed © not listed, online, site visited Jan. 28, 2020. Available from Internet, URL: <https://www.apple.com/mac-pro/> (Year: 2020).*

Primary Examiner — Marissa J Cash
Assistant Examiner — Altaira J Swangin
(74) *Attorney, Agent, or Firm* — Saidman DesignLaw Group, LLC

(57) **CLAIM**

The ornamental design for an electronic device, as shown and described.

DESCRIPTION

FIG. 1 is a top front perspective view of an electronic device showing our new design;
FIG. 2 is a rear bottom perspective view thereof;
FIG. 3 is a front view thereof;
FIG. 4 is a rear view thereof;
FIG. 5 is a right side view thereof;

(Continued)

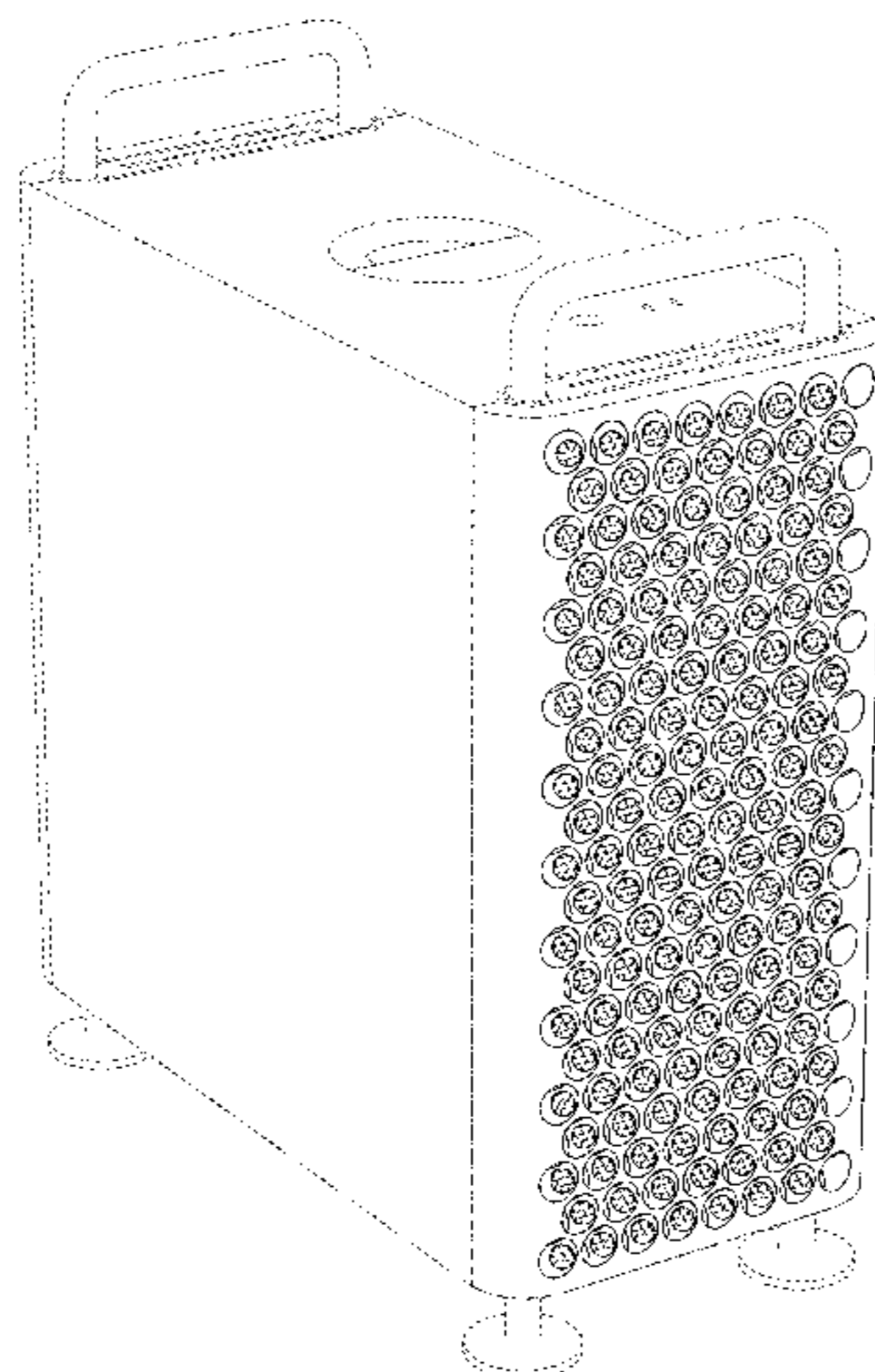


FIG. 6 is a left side view thereof;
 FIG. 7 is a top view thereof; and,
 FIG. 8 is a bottom view thereof.
 The dashed broken lines illustrate portions of the electronic device which form no part of the claimed design.
 The dot-dash broken lines illustrate boundaries which form no part of the claimed design.

1 Claim, 8 Drawing Sheets

(58) **Field of Classification Search**

USPC D14/444, 446; D13/162, 184; D9/424,
 D9/427-428, 430, 433; 206/706-709,
 206/722-725; D23/335, 364-365, 382,
 D23/400
 CPC G06F 1/20; H05K 5/00; H05K 5/0213;
 H05K 5/03

See application file for complete search history.

(56) **References Cited**

U.S. PATENT DOCUMENTS

D396,031 S 7/1998 Chiodo et al.
 D402,356 S * 12/1998 Hodge D23/365
 D405,616 S * 2/1999 Hellwig D6/332
 D422,977 S * 4/2000 Hirose D13/162
 D423,465 S * 4/2000 Runnalls D14/140.2
 D425,878 S * 5/2000 Otis D14/444
 6,075,698 A * 6/2000 Hogan H05K 7/20581
 165/104.34
 D428,892 S * 8/2000 Haimson D14/441
 D431,822 S 10/2000 Armstrong et al.
 D434,030 S 11/2000 Colprit et al.
 D435,559 S 12/2000 Tanaka
 D449,850 S * 10/2001 Ho D18/34.6
 D463,383 S * 9/2002 Hwang D13/184
 D464,631 S * 10/2002 Billman D13/184
 D469,087 S 1/2003 Sue et al.
 6,505,741 B1 * 1/2003 Ono H01L 21/67333
 206/722
 D476,298 S * 6/2003 Lee D13/184
 D480,728 S * 10/2003 Tanaka D14/444
 D481,385 S 10/2003 Tanaka
 D490,081 S * 5/2004 Oura D14/358
 D497,163 S 10/2004 Andre et al.
 D499,096 S * 11/2004 Deng D14/353
 D511,163 S 11/2005 Su et al.
 D511,521 S * 11/2005 Schmidt D14/441
 D511,777 S * 11/2005 Schmidt D14/441

D516,567 S * 3/2006 Su D14/441
 D533,581 S * 12/2006 Di Anna D18/34.9
 D548,232 S 8/2007 Dearborn et al.
 D572,672 S * 7/2008 Adducci D13/184
 D579,453 S * 10/2008 Chen D14/444
 D596,594 S * 7/2009 Kressy D13/184
 D622,672 S * 8/2010 Wu D13/162
 D624,878 S * 10/2010 Uneo D13/119
 D635,563 S 4/2011 Brusca et al.
 7,921,552 B2 * 4/2011 Vigil G01R 31/2808
 206/561
 D647,523 S 10/2011 Su
 D667,401 S 9/2012 Mueller et al.
 D690,803 S * 10/2013 Koivisto D23/364
 D707,224 S 6/2014 Bae et al.
 D707,225 S 6/2014 Shin et al.
 D716,428 S * 10/2014 Farone D23/364
 D720,357 S * 12/2014 Kwon D14/445
 D722,060 S * 2/2015 Kwon D14/445
 D748,618 S * 2/2016 Ent D14/301
 D754,667 S * 4/2016 Kwon D14/445
 D768,129 S * 10/2016 Chen D14/349
 D799,016 S * 10/2017 Su D23/364
 D830,328 S * 10/2018 Nugent D14/204
 D844,578 S * 4/2019 Seflic D14/125
 D860,959 S * 9/2019 Seflic D14/125
 D873,228 S * 1/2020 Krivonak D13/184
 D874,624 S * 2/2020 Liu D23/335
 D875,910 S * 2/2020 Clear D23/365
 D879,790 S * 3/2020 Donachy D14/444
 D881,825 S * 4/2020 Lin D13/162
 2008/0043430 A1 * 2/2008 Chen H05K 7/20172
 361/679.34
 2010/0284141 A1 * 11/2010 Baitz G06F 1/187
 361/679.33
 2011/0113691 A1 * 5/2011 Chang G06F 1/181
 49/109
 2014/0111938 A1 * 4/2014 Hung H05K 9/0041
 361/692
 2016/0295725 A1 * 10/2016 Wongjuntra G06F 1/26
 2019/0056770 A1 * 2/2019 Lin H05K 7/20136

FOREIGN PATENT DOCUMENTS

CN 304333079 * 10/2017
 JP D1105441 4/2001
 JP HC1706549200 1/2006
 JP HC1803066100 7/2006
 JP HC15004383 2/2009
 JP HJ2006351500 2/2009
 JP HC28008445 4/2016
 JP HJ3100455500 4/2019
 KR 3020130000815 * 7/2013

* cited by examiner

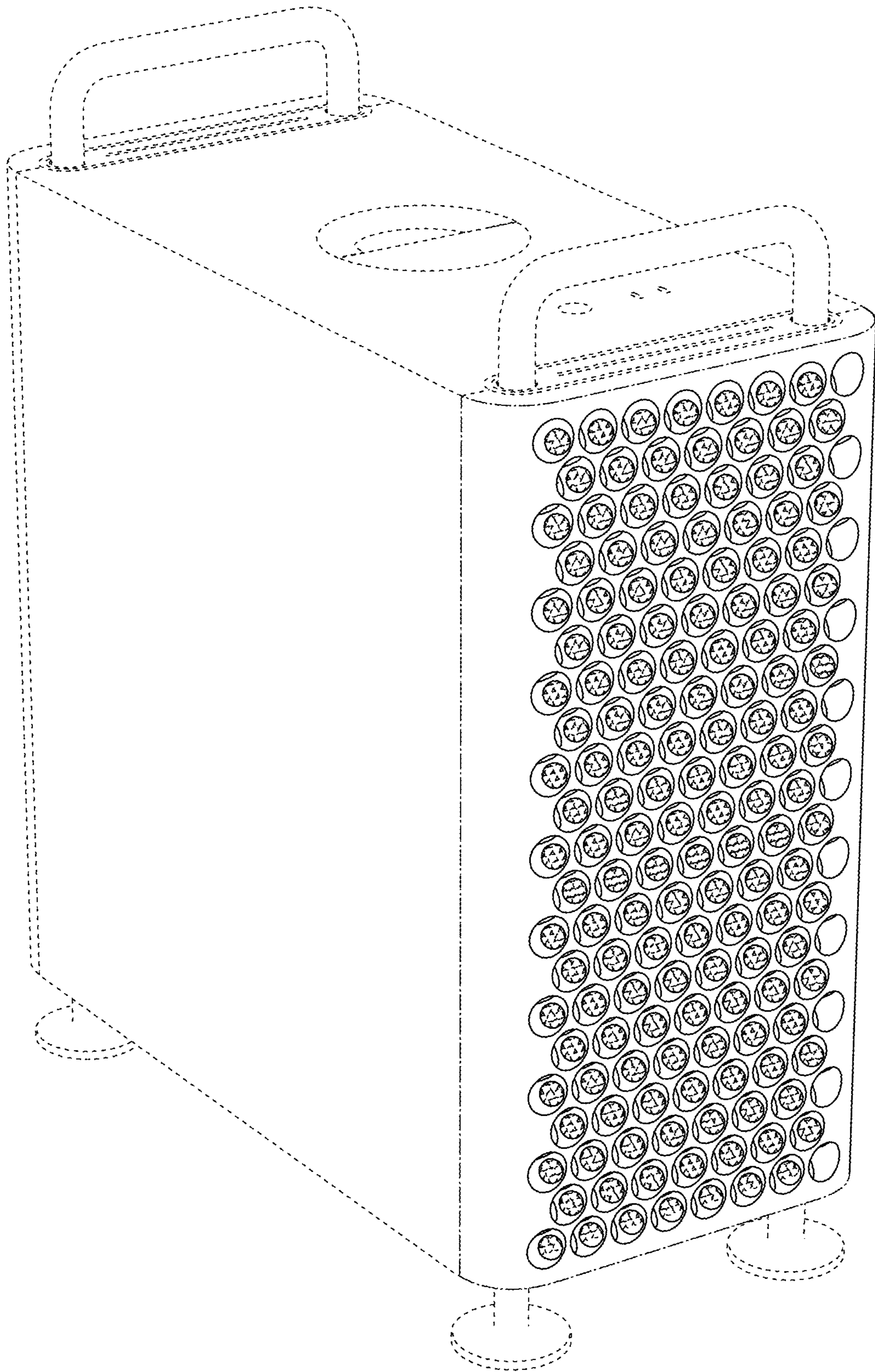


FIG. 1

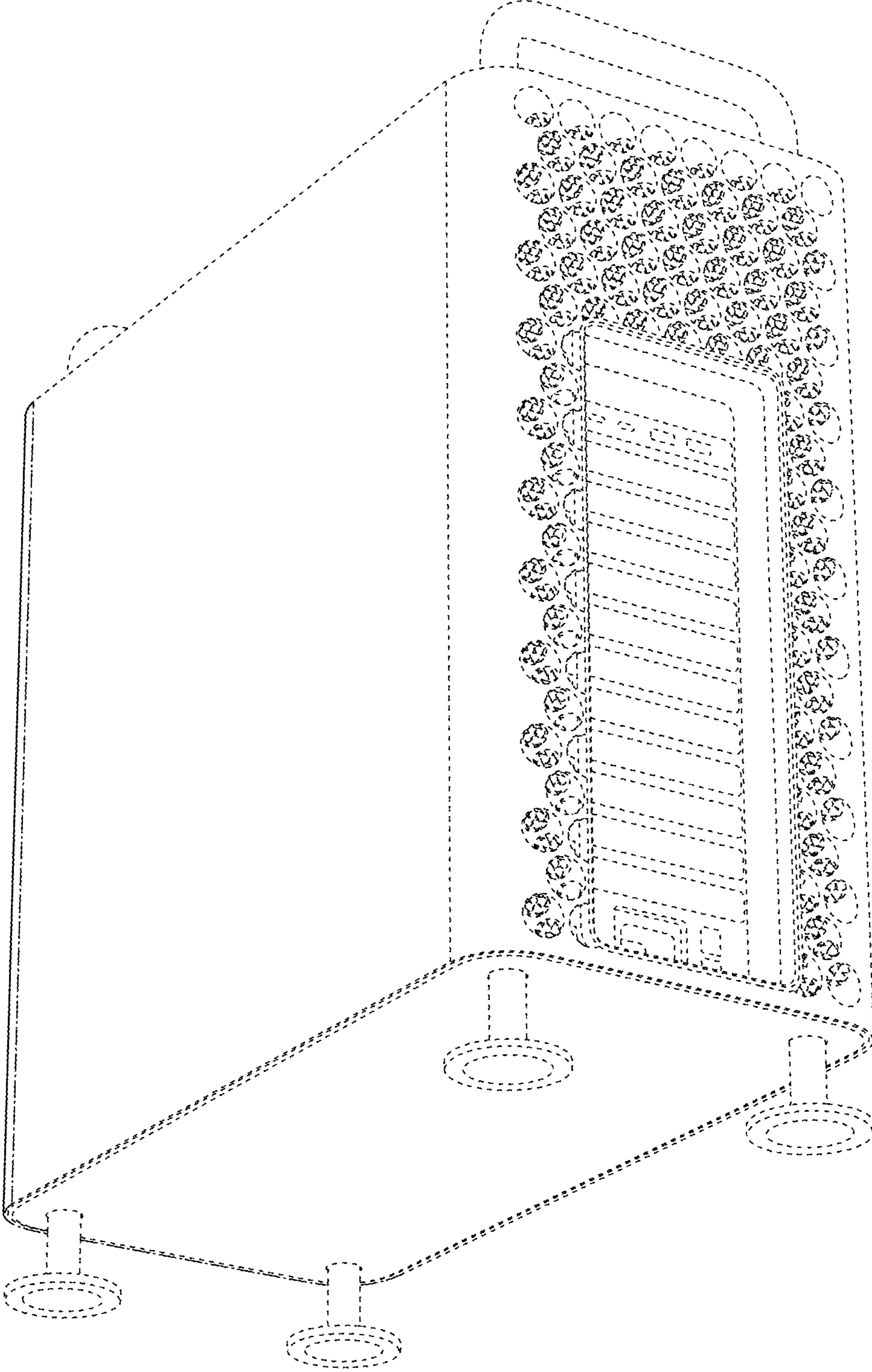


FIG. 2

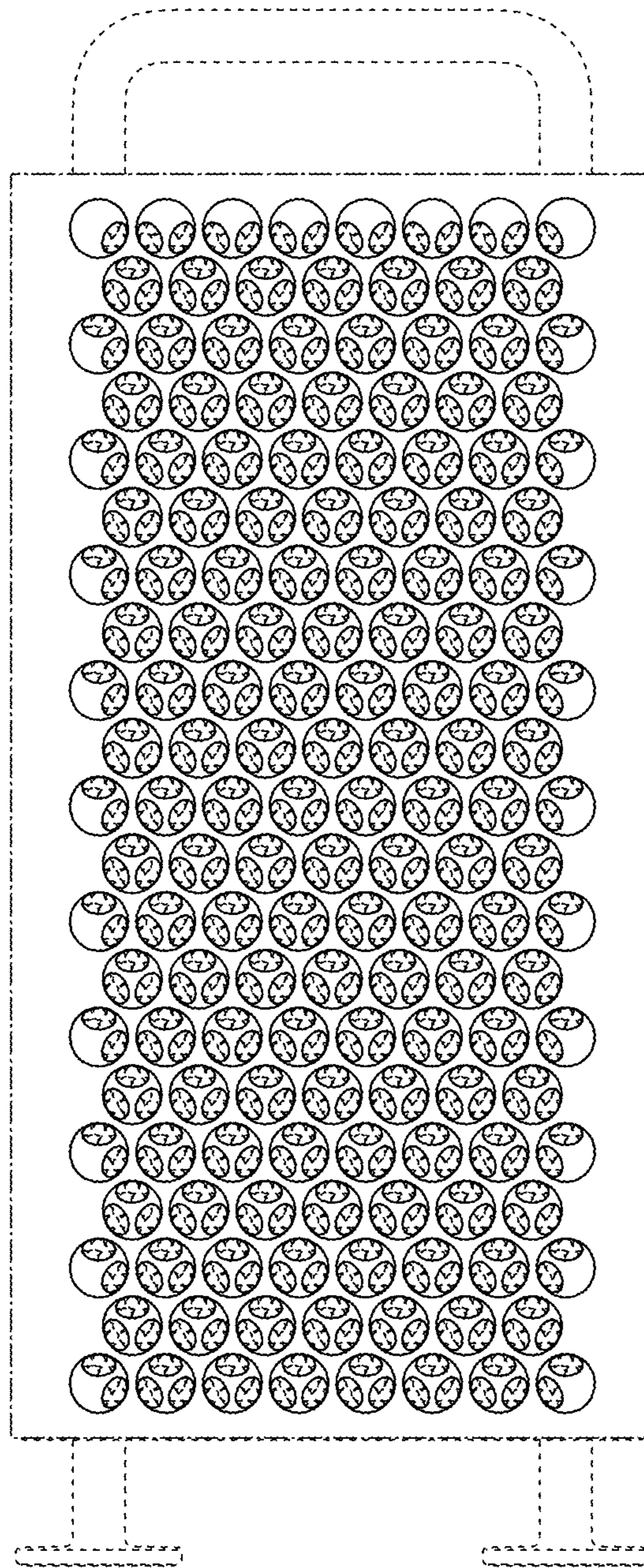


FIG. 3

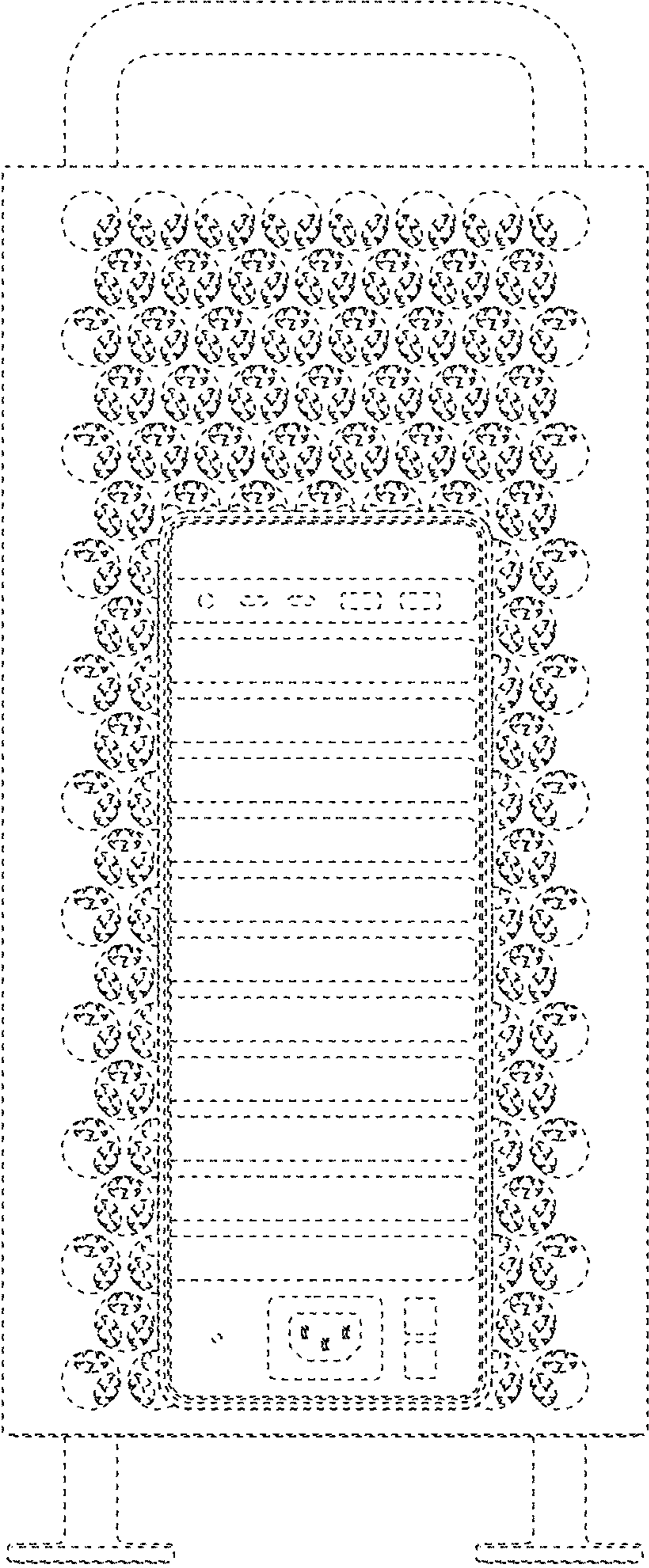


FIG. 4

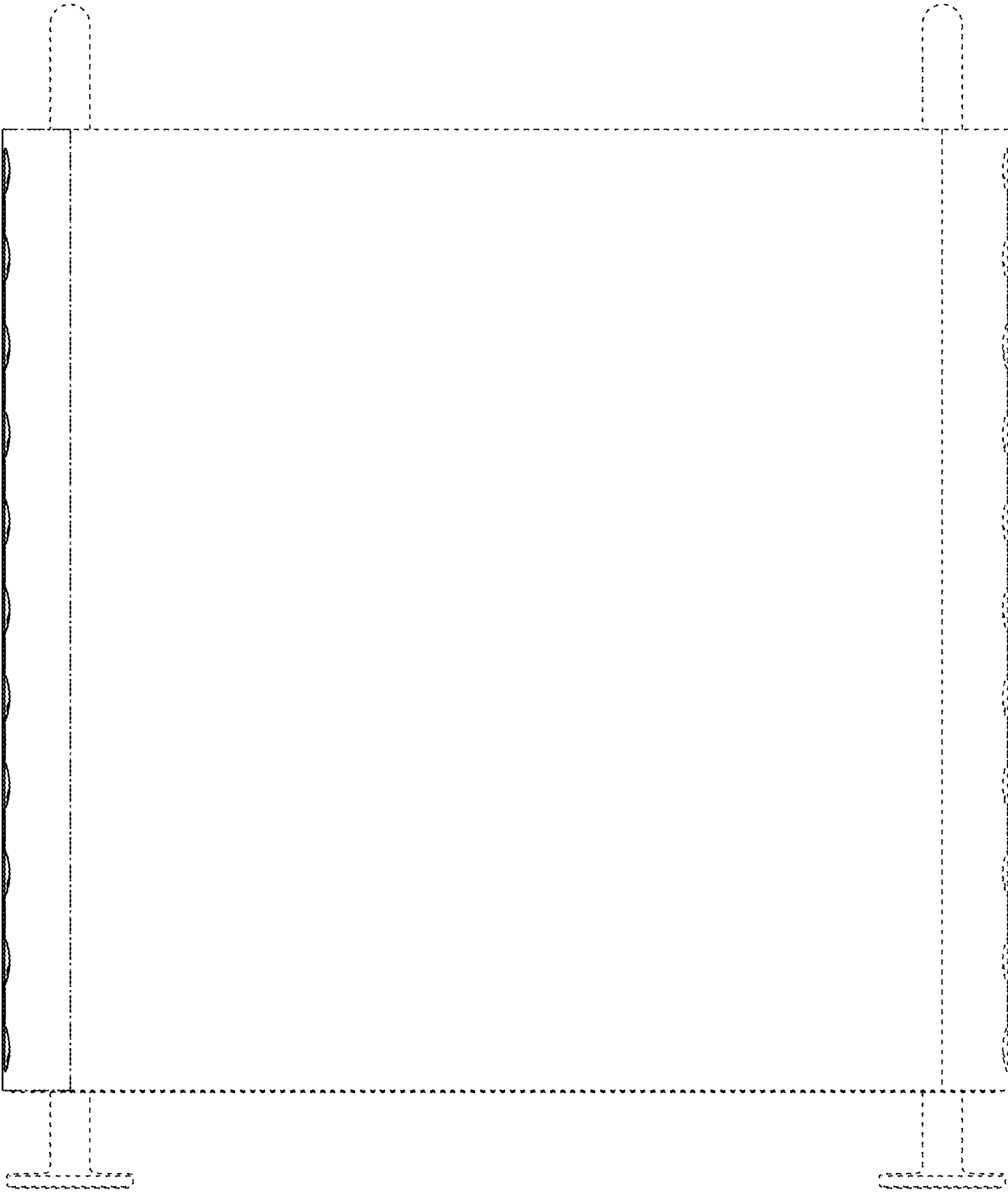


FIG. 5

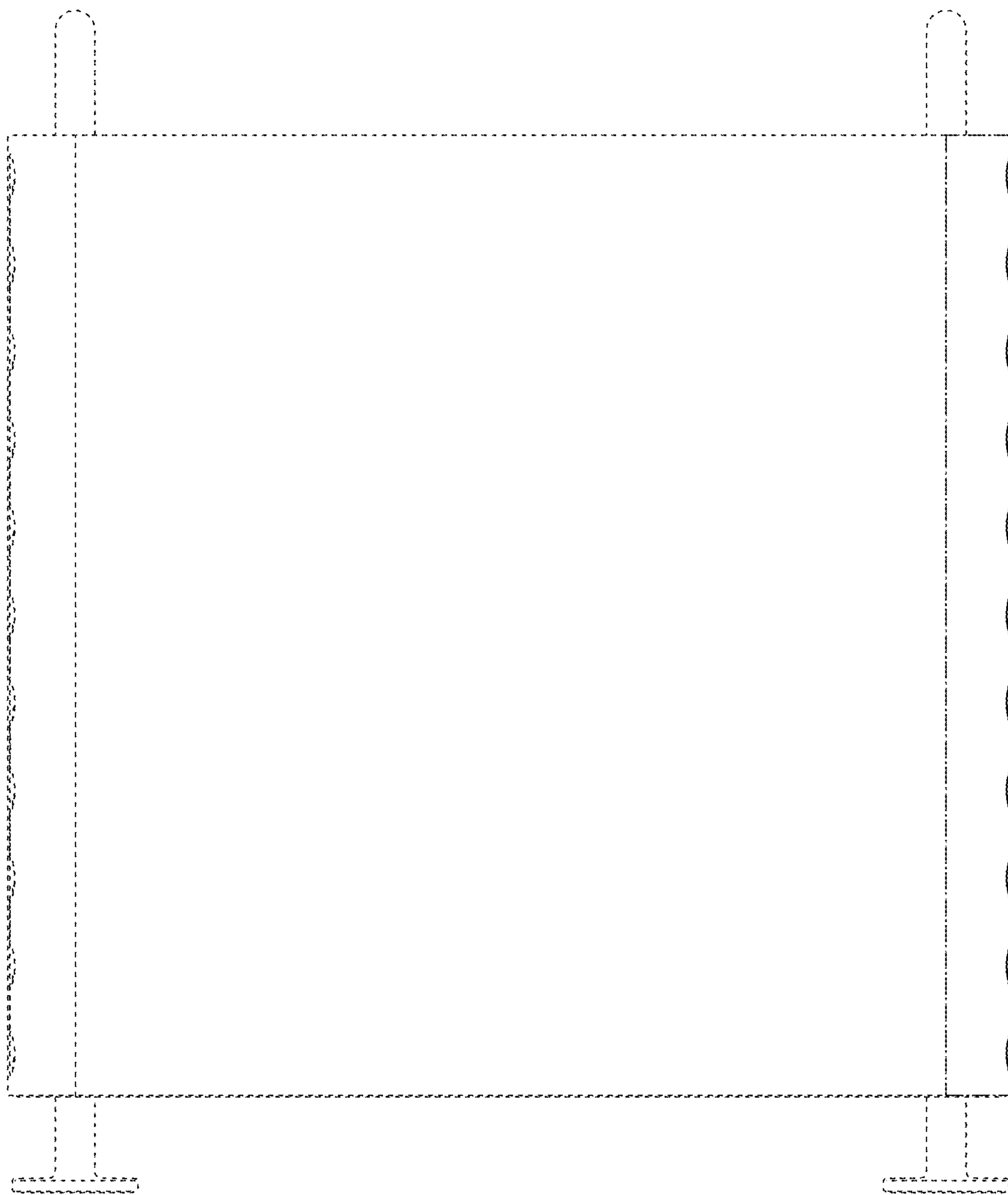


FIG. 6

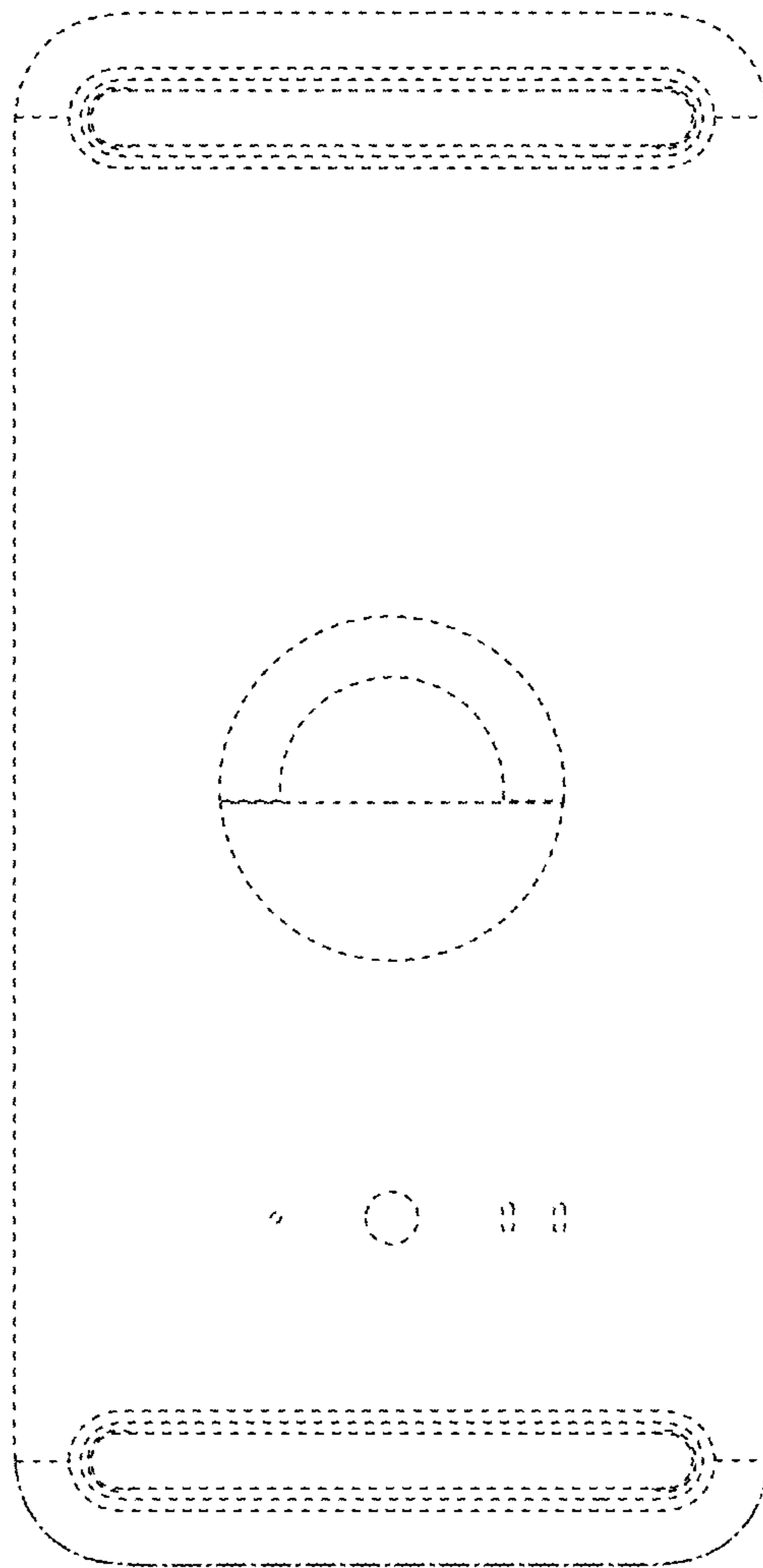


FIG. 7

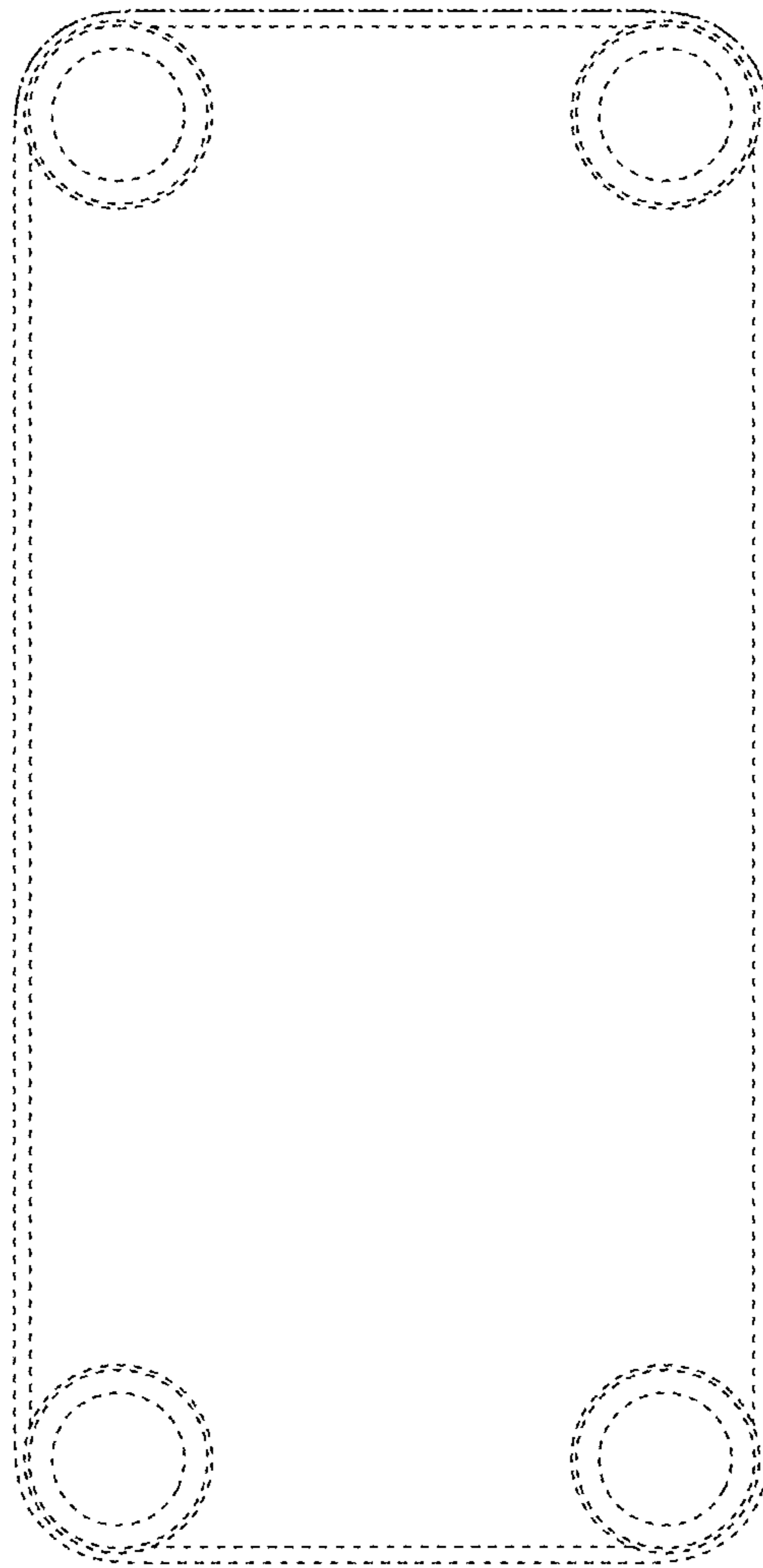


FIG. 8