



US00D895603S

(12) **United States Design Patent**
Hansen

(10) **Patent No.:** **US D895,603 S**

(45) **Date of Patent:** **** Sep. 8, 2020**

(54) **DISPLAY AND OPERATING UNIT**

(71) Applicant: **Pyramid Computer GmbH**, Freiburg (DE)

(72) Inventor: **Friedrich Hansen**, Freiburg (DE)

(73) Assignee: **Pyramid Computer GmbH**, Freiburg (DE)

(**) Term: **15 Years**

(21) Appl. No.: **29/674,069**

(22) Filed: **Dec. 19, 2018**

(30) **Foreign Application Priority Data**

Jun. 28, 2018 (EM) 005328804

(51) **LOC (12) Cl.** **14-02**

(52) **U.S. Cl.**
USPC **D14/307**

(58) **Field of Classification Search**

USPC D14/302-307, 900-902; D13/163;
D20/10; D21/332, 325, 369, 370;
D99/28; D6/397, 466; 194/206;
361/679.01, 679.02, 679.04, 679.21,
361/679.57, 725

CPC G06Q 20/18; G06Q 20/10; G06Q 20/123;
G06Q 20/20; G06Q 30/02; G06Q 30/06;
A47F 9/047

See application file for complete search history.

(56) **References Cited**

U.S. PATENT DOCUMENTS

D742,870 S * 11/2015 Berini G07C 9/257
D14/307
9,256,720 B2 * 2/2016 Berini G06K 9/00604

D751,061 S * 3/2016 Berini D14/307
D760,711 S * 7/2016 Berini D14/307
D778,276 S * 2/2017 Berini D14/307
D815,628 S * 4/2018 Berini D14/307
D818,464 S * 5/2018 Berini D14/307
D829,706 S * 10/2018 Berini D14/307
D840,390 S * 2/2019 Mangeot D14/307
D848,414 S * 5/2019 Gardens D14/307
D854,538 S * 7/2019 Szeredi D14/307
D858,512 S * 9/2019 Angelopoulos D14/307

* cited by examiner

Primary Examiner — Austin Murphy

(74) *Attorney, Agent, or Firm* — Volpe and Koenig, P.C.

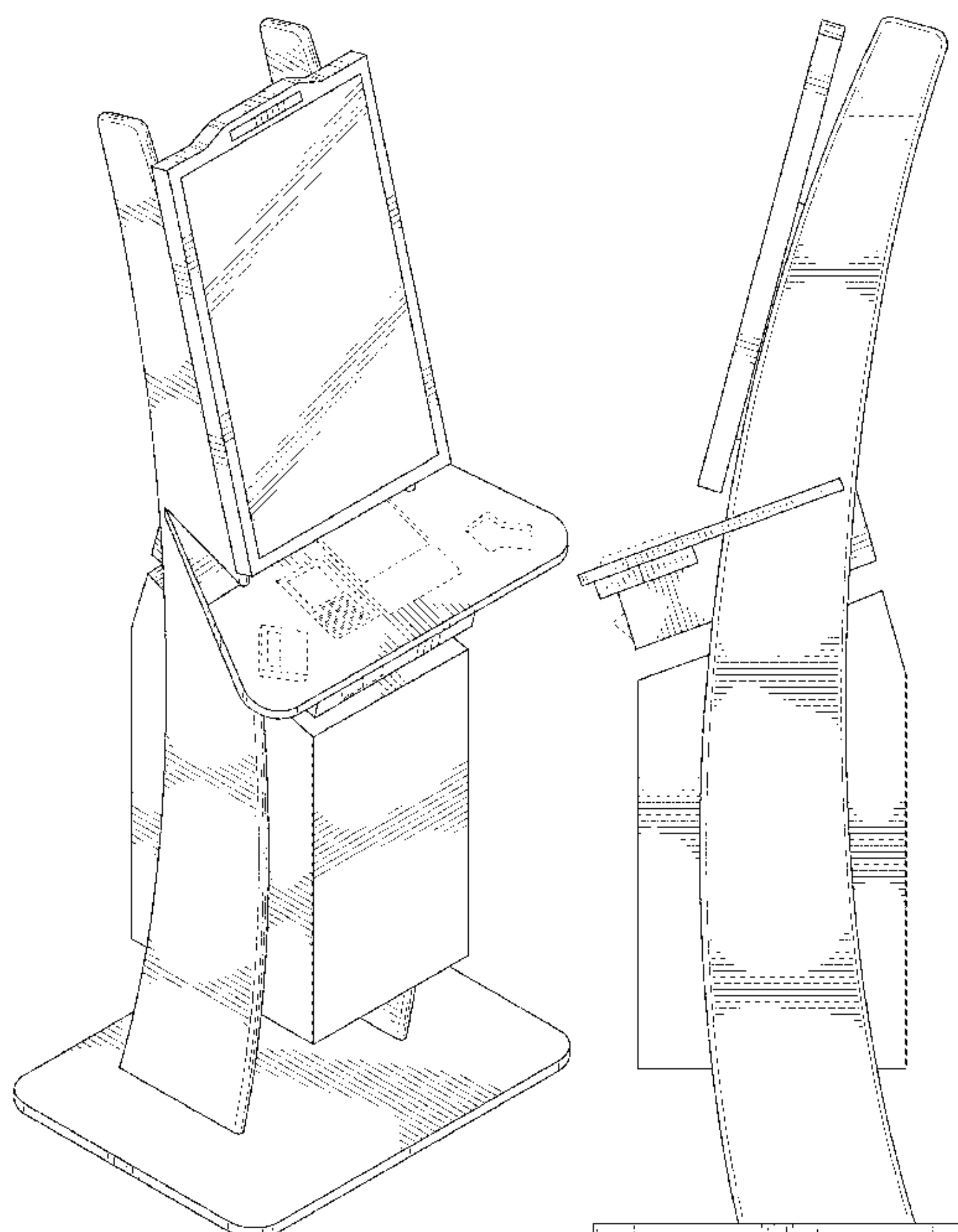
(57) **CLAIM**

The ornamental design for a display and operating unit, as shown and described.

DESCRIPTION

FIG. 1 is a top, front, left perspective view of a display and operating unit in accordance with my design;
FIG. 2 is a front elevational view thereof;
FIG. 3 is a rear elevational view thereof;
FIG. 4 is a right side elevational view thereof;
FIG. 5 is a left side elevational view thereof;
FIG. 6 is a top plan view thereof; and,
FIG. 7 is a top, front perspective view thereof.
The broken lines represent portions of the display and operating unit that form no part of the claimed design.

1 Claim, 7 Drawing Sheets



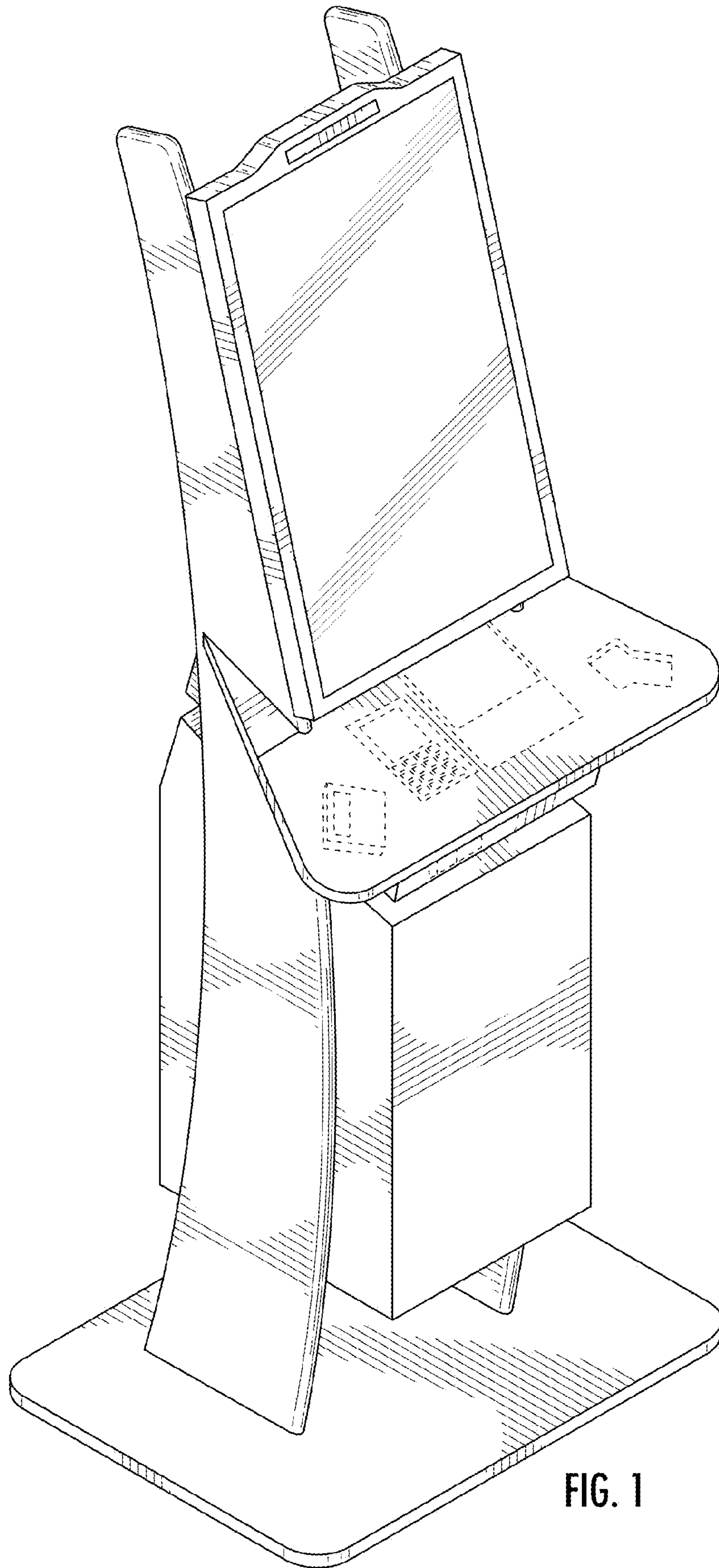


FIG. 1

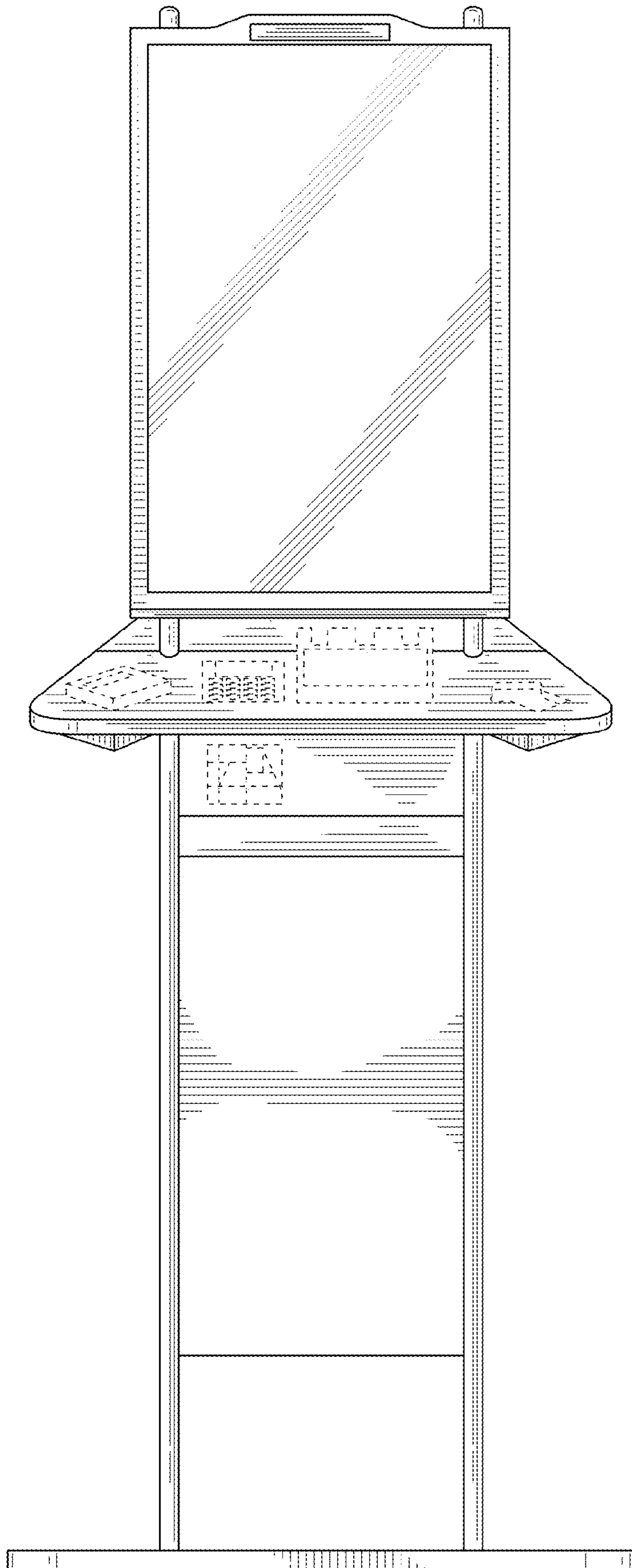


FIG. 2

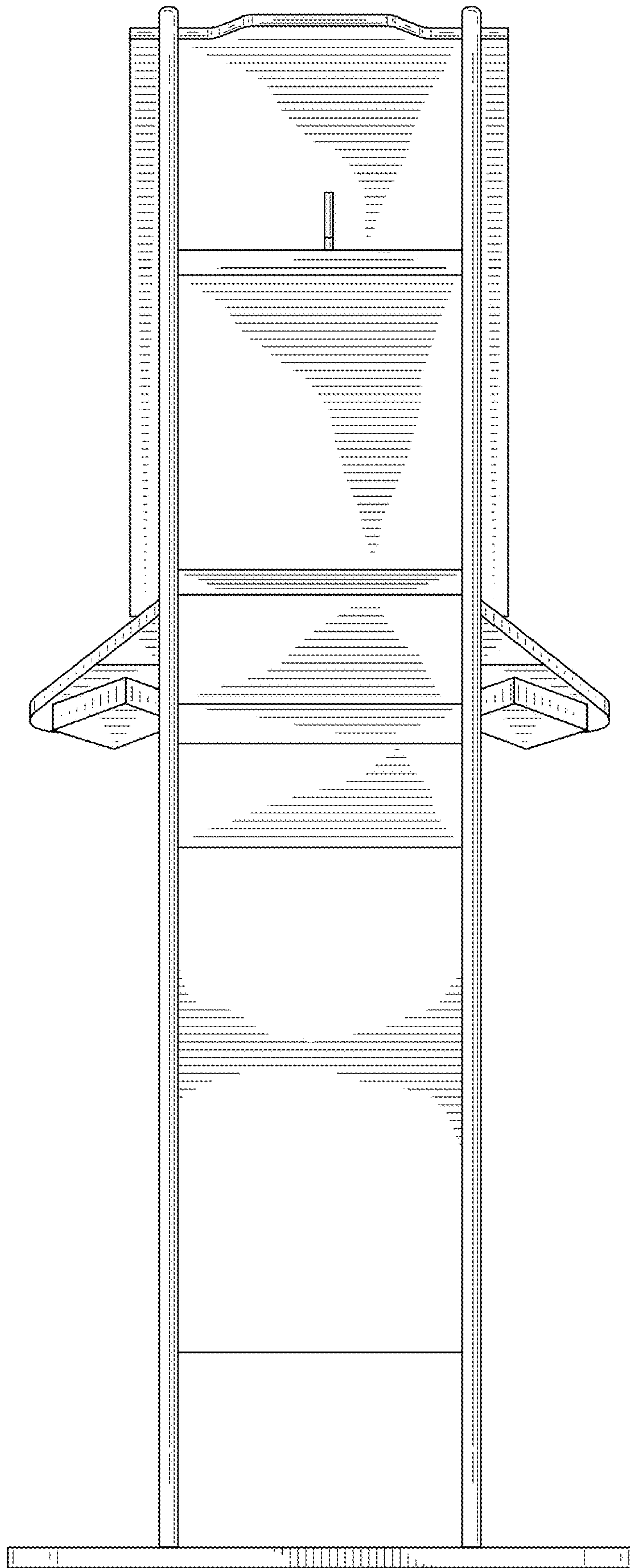


FIG. 3

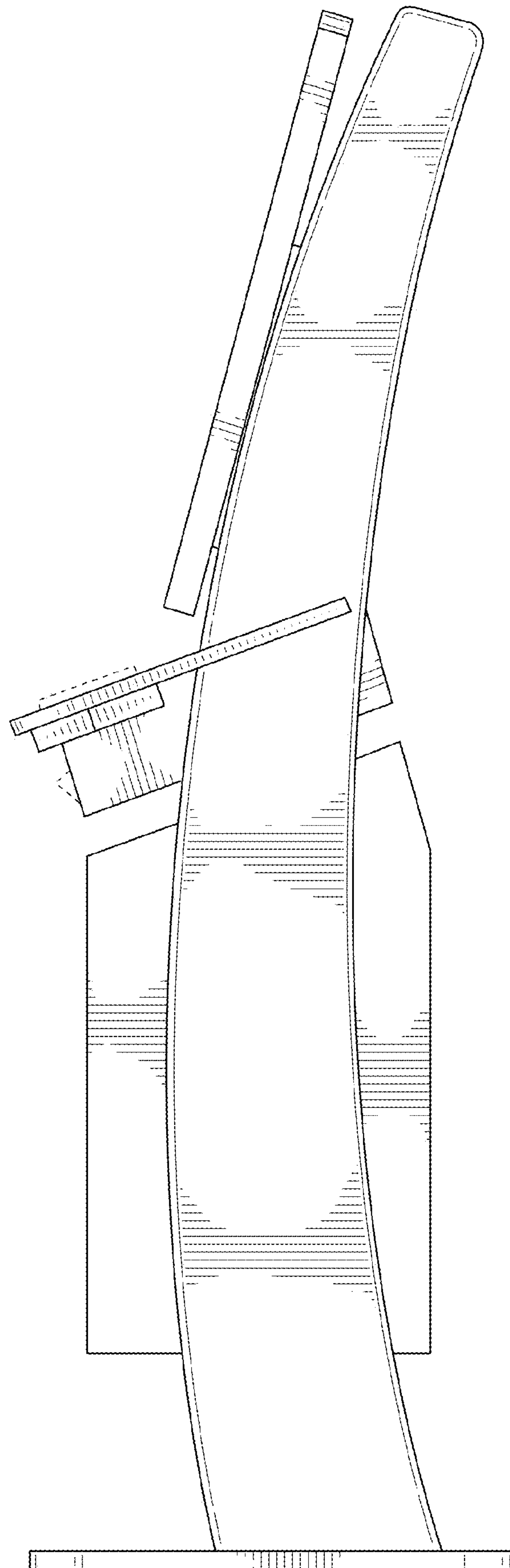


FIG. 4

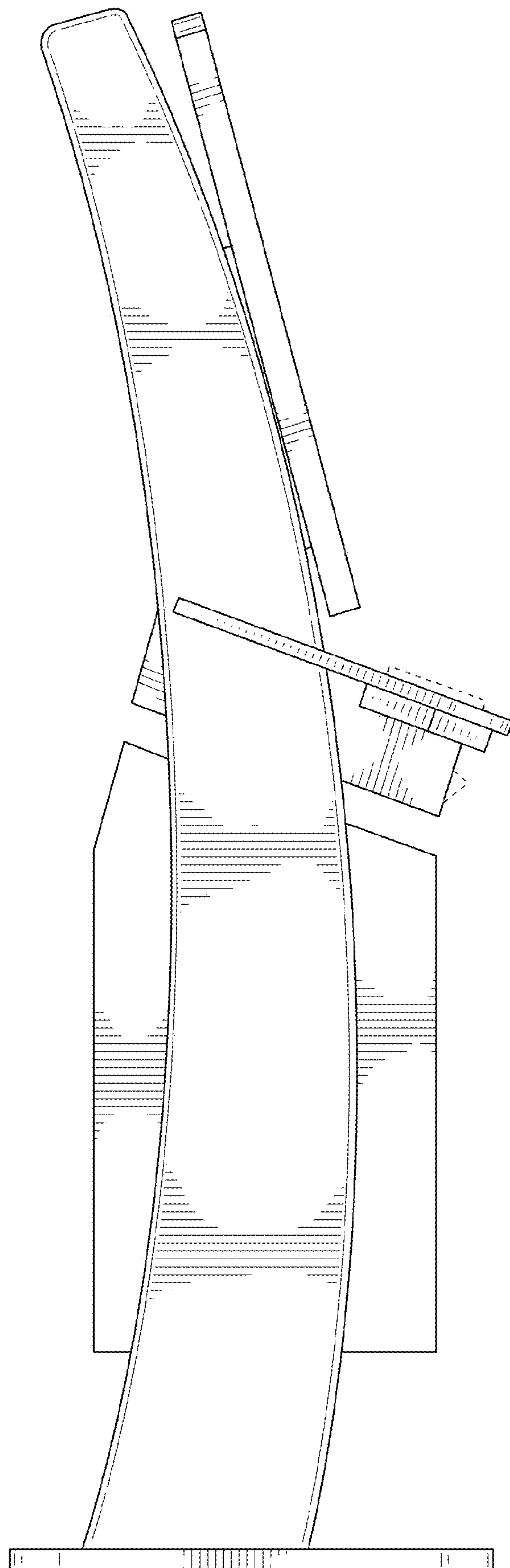


FIG. 5

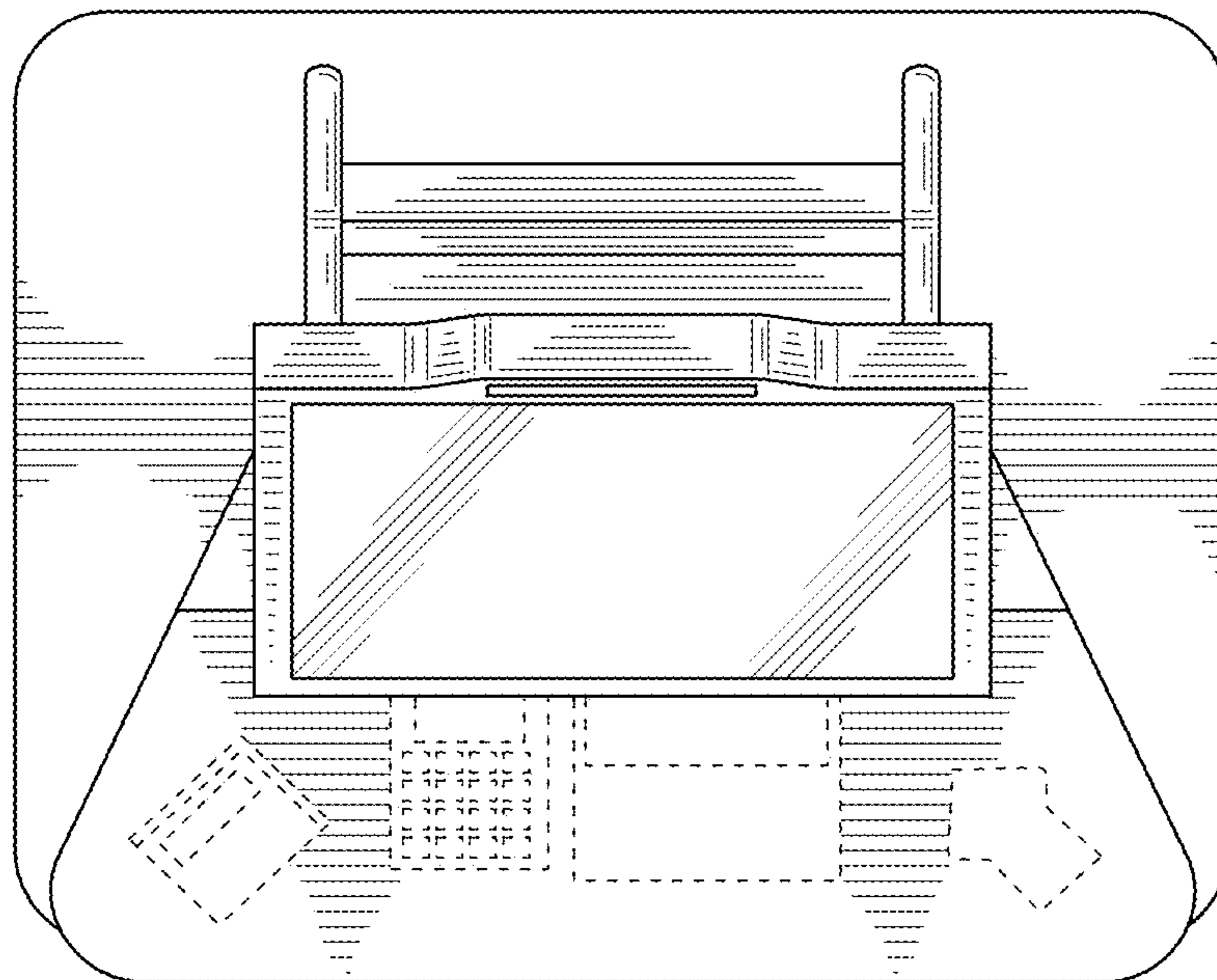


FIG. 6

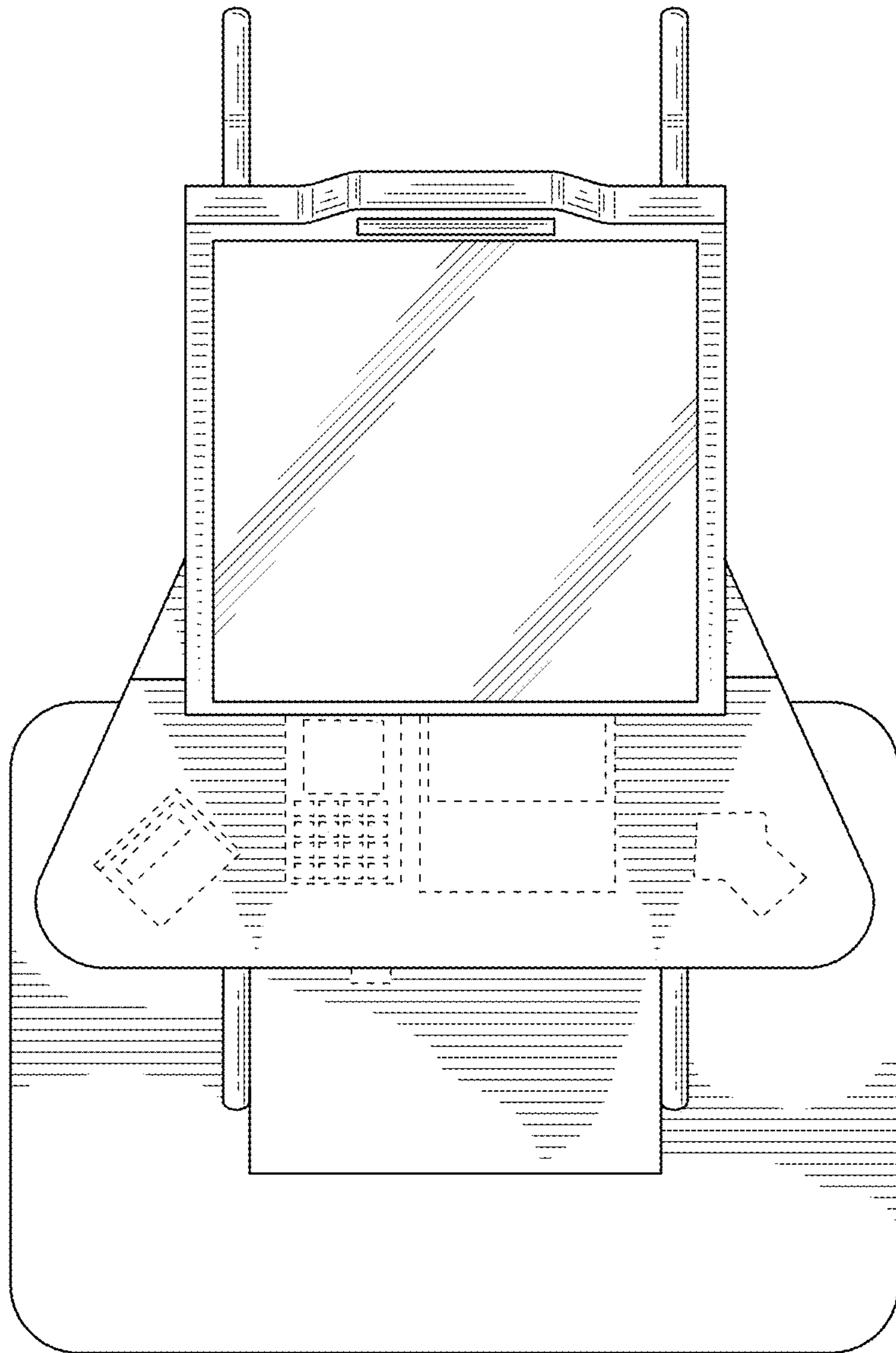


FIG. 7