

US00D895602S

(12) **United States Design Patent**
Cheng

(10) **Patent No.:** **US D895,602 S**

(45) **Date of Patent:** **** Sep. 8, 2020**

(54) **STAND FOR MOBILE TELEPHONES**

(71) Applicant: **Shenzhen Icheckey Technology Co., Ltd.**, Shenzhen (CN)

(72) Inventor: **Xiongjun Cheng**, Shenzhen (CN)

(**) Term: **15 Years**

(21) Appl. No.: **29/697,561**

(22) Filed: **Jul. 9, 2019**

(51) **LOC (12) Cl.** **14-03**

(52) **U.S. Cl.**
USPC **D14/253**

(58) **Field of Classification Search**
USPC D14/251–253, 447, 452, 432–434, 440;
D12/415; D3/218
CPC H04M 1/02; H04M 1/04; B60R 11/02;
F16M 11/00; F16M 11/04; F16M 11/06;
F16M 13/02; F16M 13/00; H05K 7/00;
H05K 5/02; A47G 1/17

See application file for complete search history.

(56) **References Cited**

U.S. PATENT DOCUMENTS

D705,211 S	*	5/2014	Huang	D14/253
D858,509 S	*	9/2019	Yao	D14/253
D859,393 S	*	9/2019	Dang	D14/253
D859,395 S	*	9/2019	Yao	D14/253

D861,670 S	*	10/2019	Li	D14/253
D864,092 S	*	10/2019	Zhang	D12/415
D872,014 S	*	1/2020	Zhang	D13/108
D877,066 S	*	3/2020	Zhang	D13/108
D881,200 S	*	4/2020	Leeds-Frank	D14/447
D887,417 S	*	6/2020	Yarborough	D14/447

* cited by examiner

Primary Examiner — Janice Hallmark

(74) *Attorney, Agent, or Firm* — ZANIP

(57) **CLAIM**

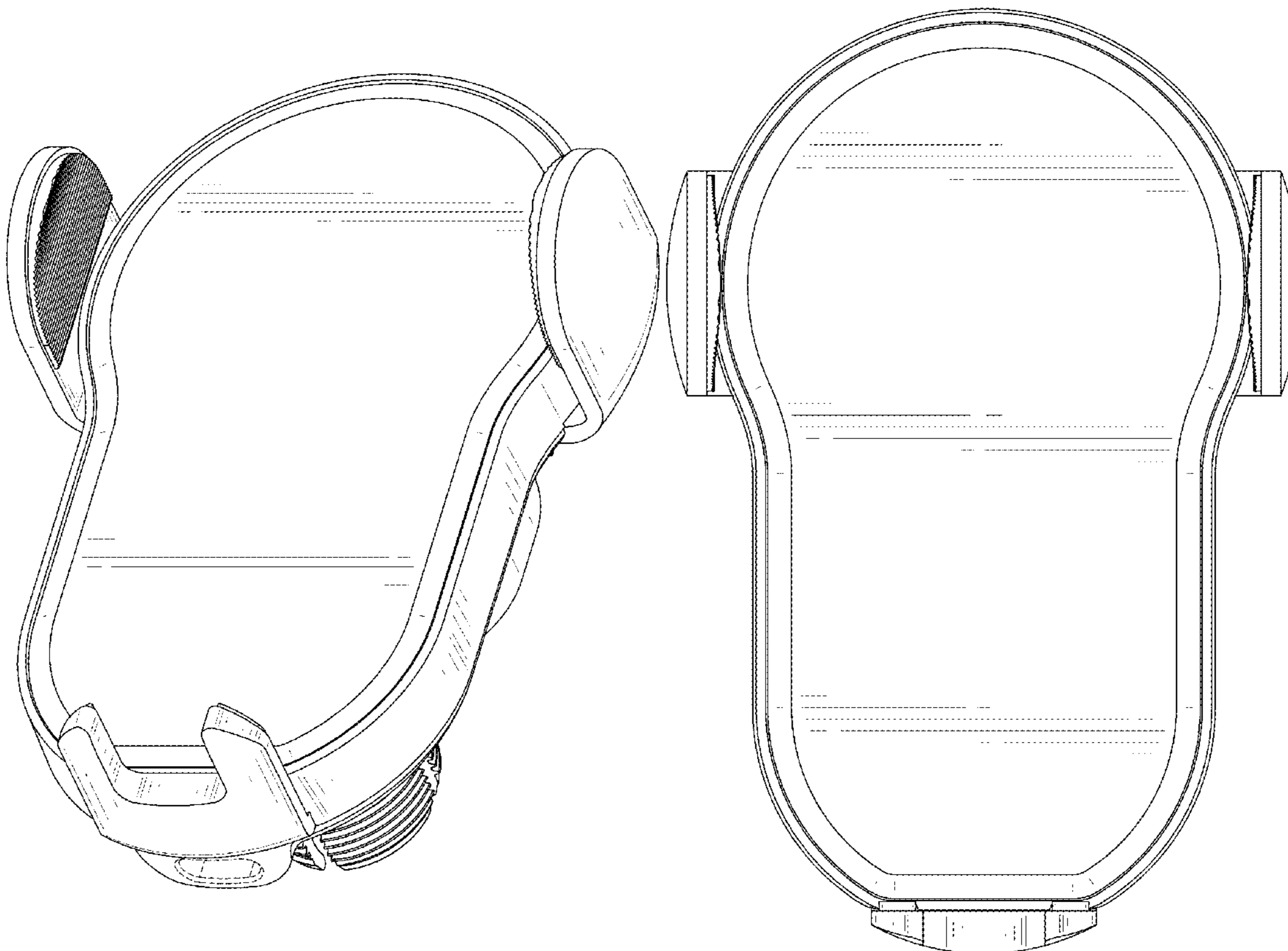
The ornamental design for a stand for mobile telephones, as shown and described.

DESCRIPTION

FIG. 1 is a perspective view of a stand for mobile telephones showing my new design;
FIG. 2 is a front view thereof;
FIG. 3 is a back view thereof;
FIG. 4 is a left side view thereof;
FIG. 5 is a right side view thereof;
FIG. 6 is a top view thereof; and,
FIG. 7 is a bottom view thereof.

The broken lines in the figures illustrate portions of the stand for mobile telephones that form no part of the claimed design.

1 Claim, 7 Drawing Sheets



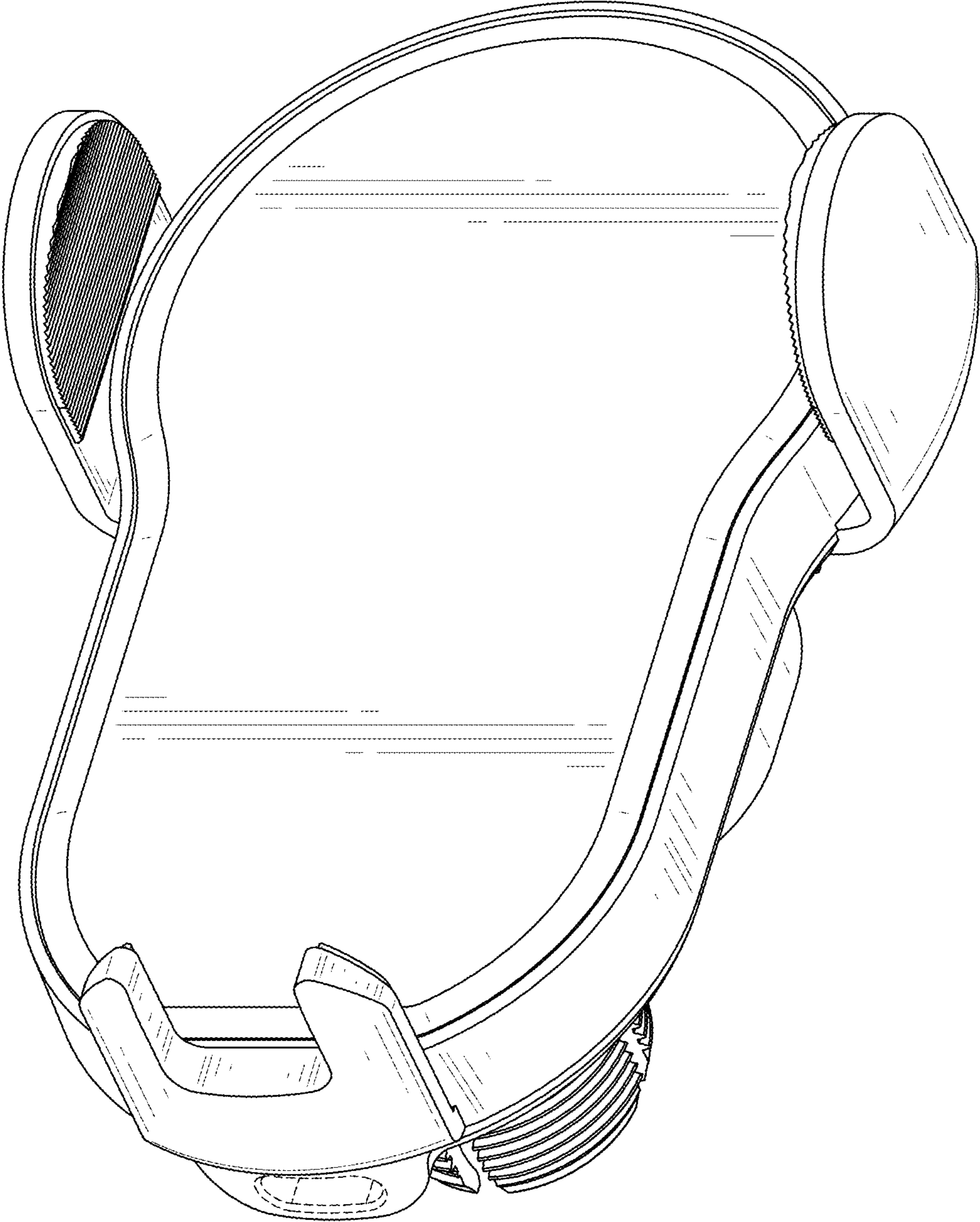


FIG. 1

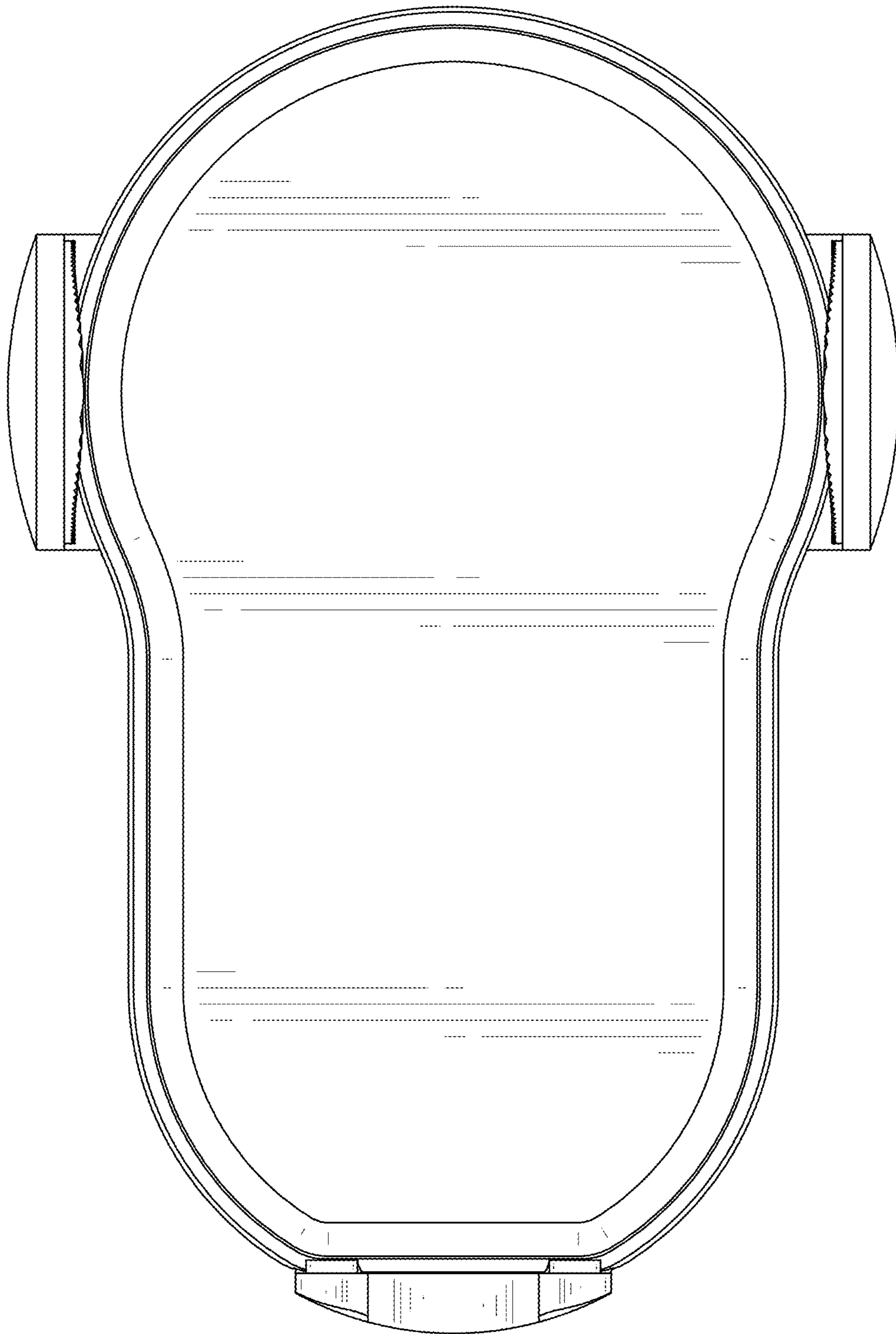


FIG. 2

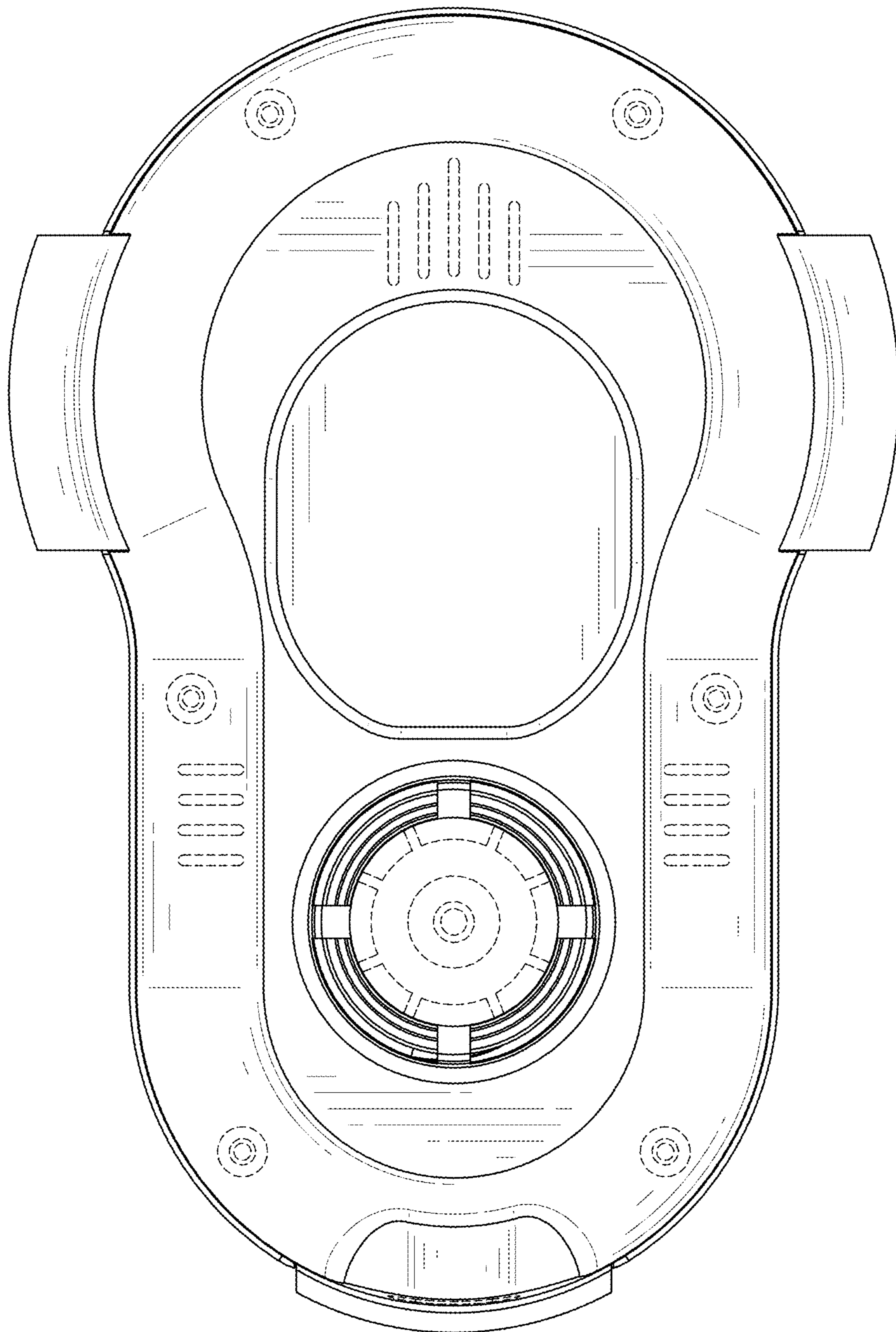


FIG. 3

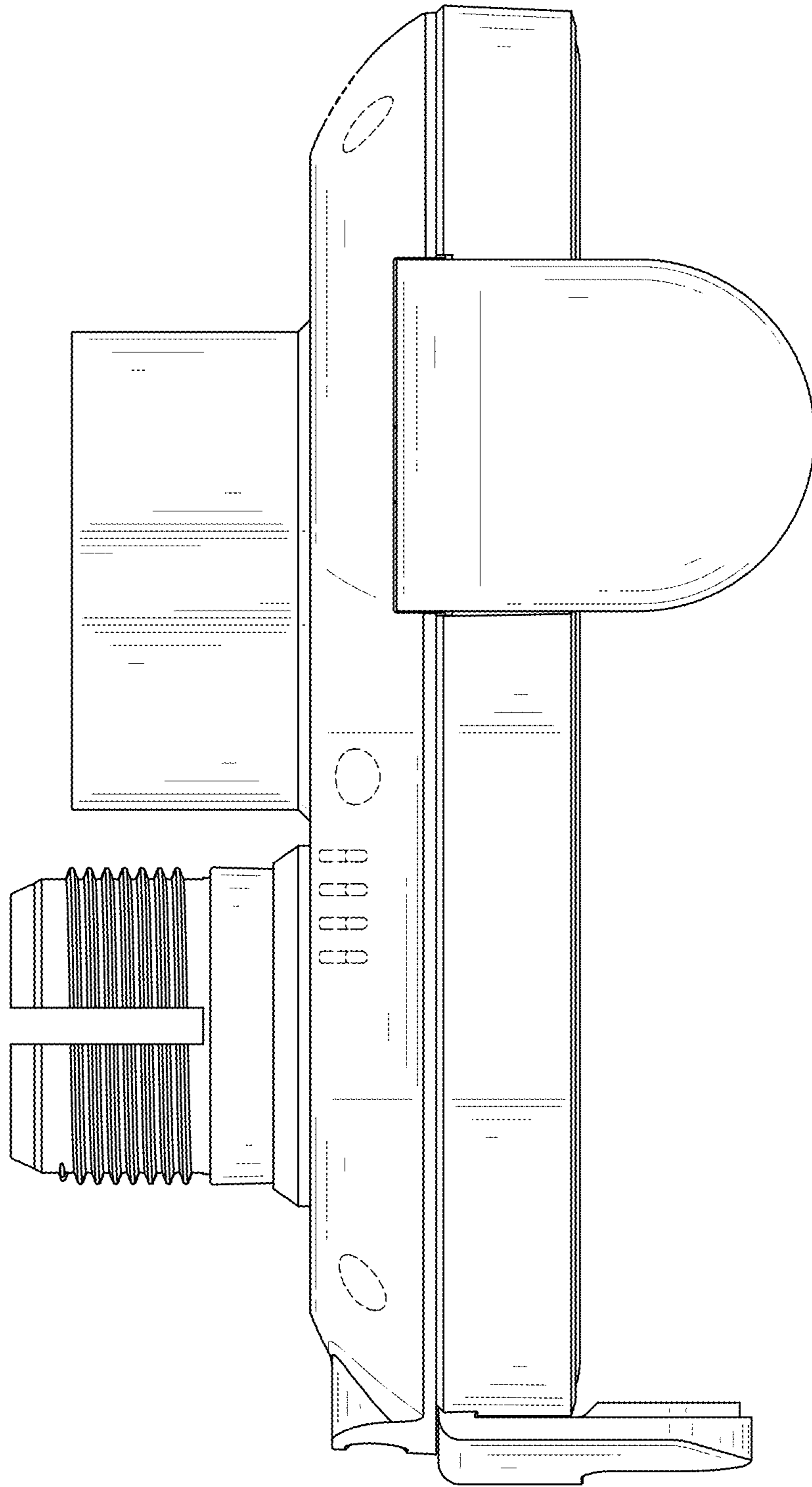


FIG. 4

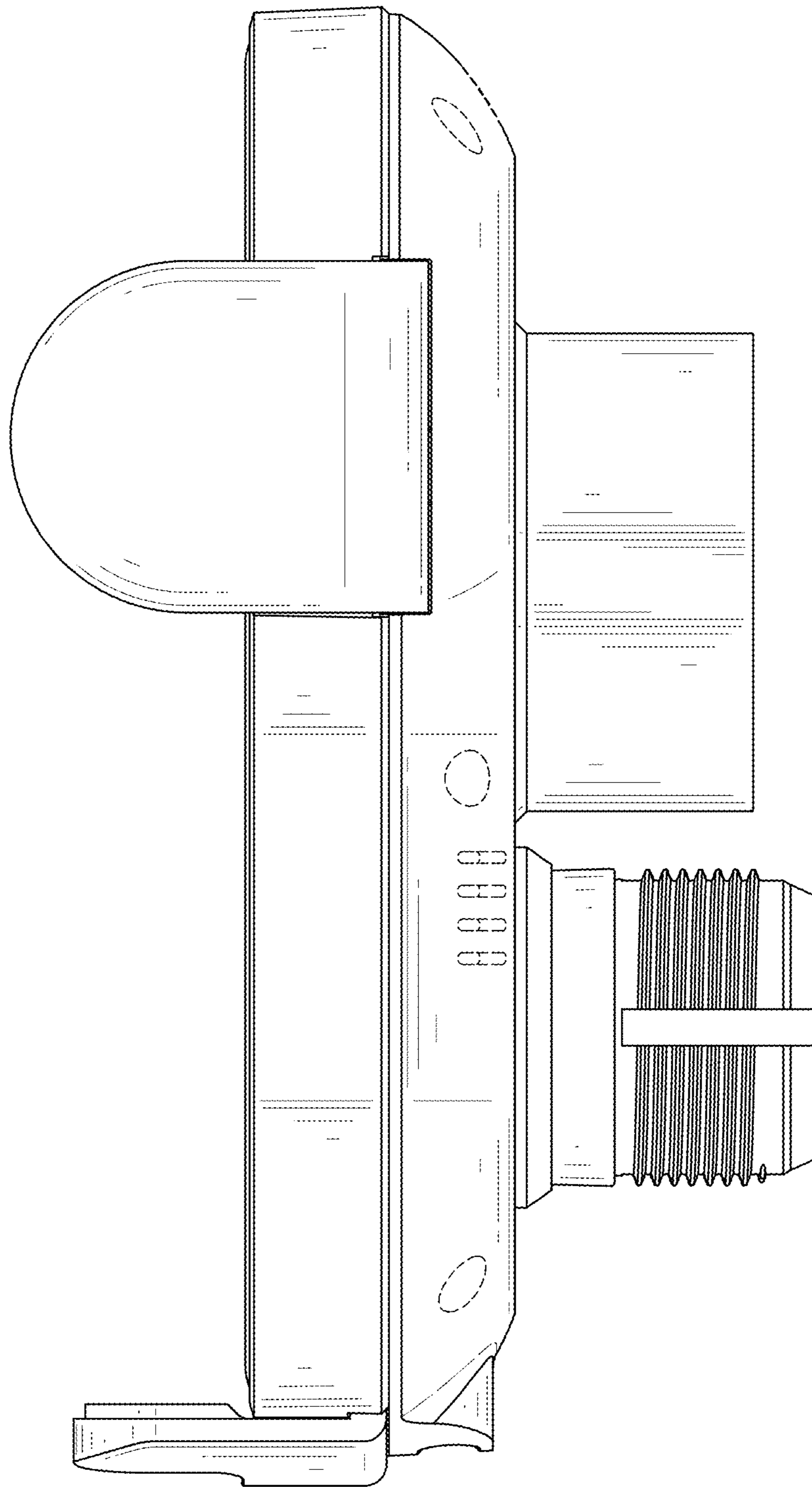


FIG. 5

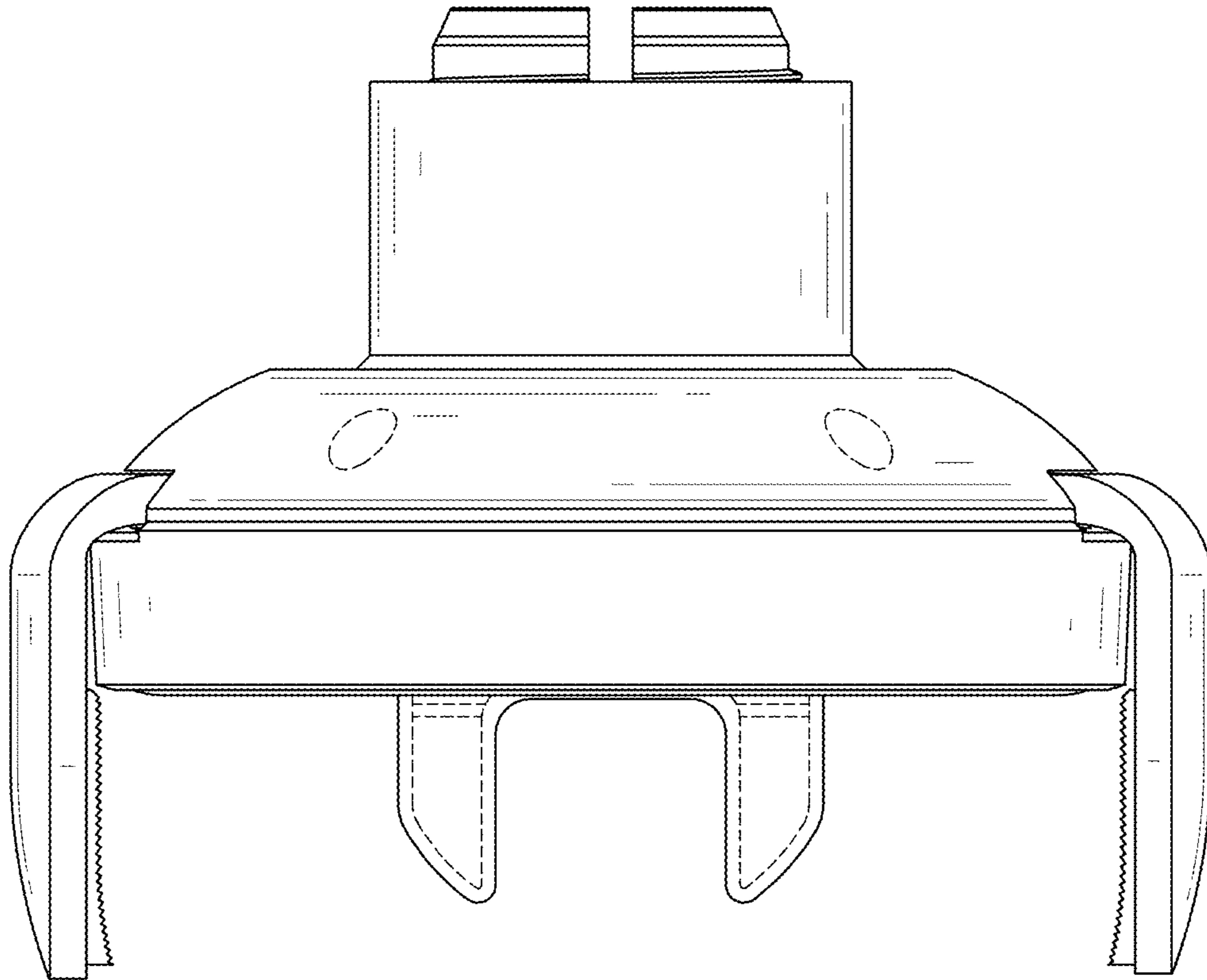


FIG. 6

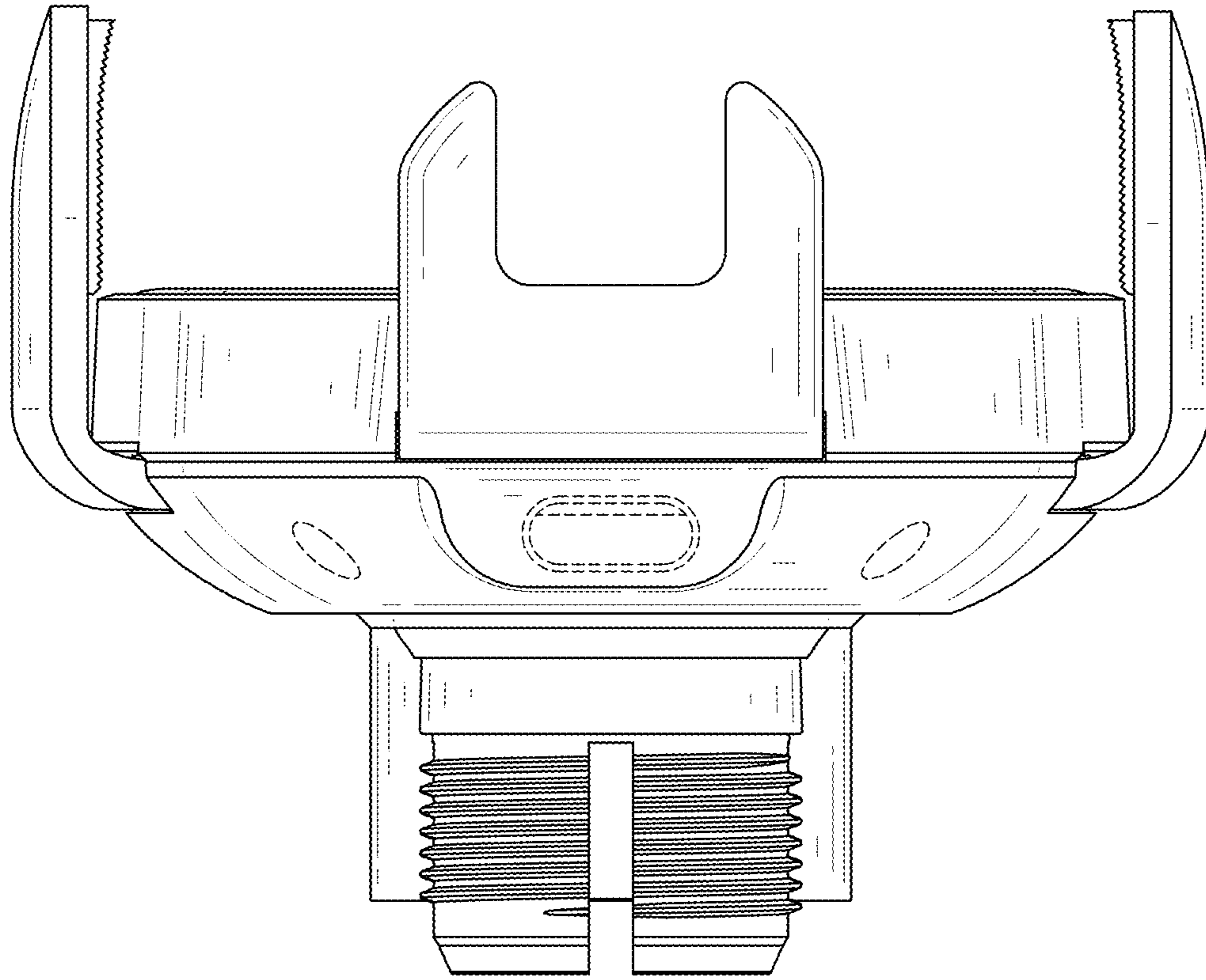


FIG. 7