



US00D895601S

(12) **United States Design Patent**
Liao

(10) **Patent No.:** **US D895,601 S**

(45) **Date of Patent:** **** Sep. 8, 2020**

(54) **MOBILE PHONE STAND**

(71) Applicant: **Dongguan Chuang Long Electronics Limited**, Dongguan (CN)

(72) Inventor: **Anzhang Liao**, Dongguan (CN)

(73) Assignee: **DONGGUAN CHUANG LONG ELECTRONICS LIMITED**, Dongguan (CN)

(**) Term: **15 Years**

(21) Appl. No.: **29/696,849**

(22) Filed: **Jul. 1, 2019**

(51) **LOC (12) Cl.** **14-03**

(52) **U.S. Cl.**
USPC **D14/253**

(58) **Field of Classification Search**
USPC D14/251–253, 447, 452, 432–434, 440;
D12/415; D3/218
CPC H04M 1/02; H04M 1/04; B60R 11/02;
F16M 11/00; F16M 11/04; F16M 11/06;
F16M 13/02; F16M 13/00; H05K 7/00;
H05K 5/02; A47G 1/17
See application file for complete search history.

(56) **References Cited**

U.S. PATENT DOCUMENTS

D685,379 S *	7/2013	Richter	D14/447
D705,211 S *	5/2014	Huang	D14/253
D752,571 S *	3/2016	Richter	D14/253
D784,923 S *	4/2017	Song	D13/108
D858,509 S *	9/2019	Yao	D14/253

D859,393 S *	9/2019	Dang	D14/253
D861,670 S *	10/2019	Li	D14/253
D864,092 S *	10/2019	Zhang	D12/415
D872,014 S *	1/2020	Zhang	D13/108
D875,090 S *	2/2020	Leeds-Frank	D14/253
D877,066 S *	3/2020	Zhang	D13/108
D877,688 S *	3/2020	Liu	D12/415
D881,200 S *	4/2020	Leeds-Frank	D14/447
D887,417 S *	6/2020	Yarbough	D14/447
D889,454 S *	7/2020	Liu	D14/253
2015/0072555 A1 *	3/2015	Riddiford	F16M 11/041 439/575

* cited by examiner

Primary Examiner — Janice Hallmark

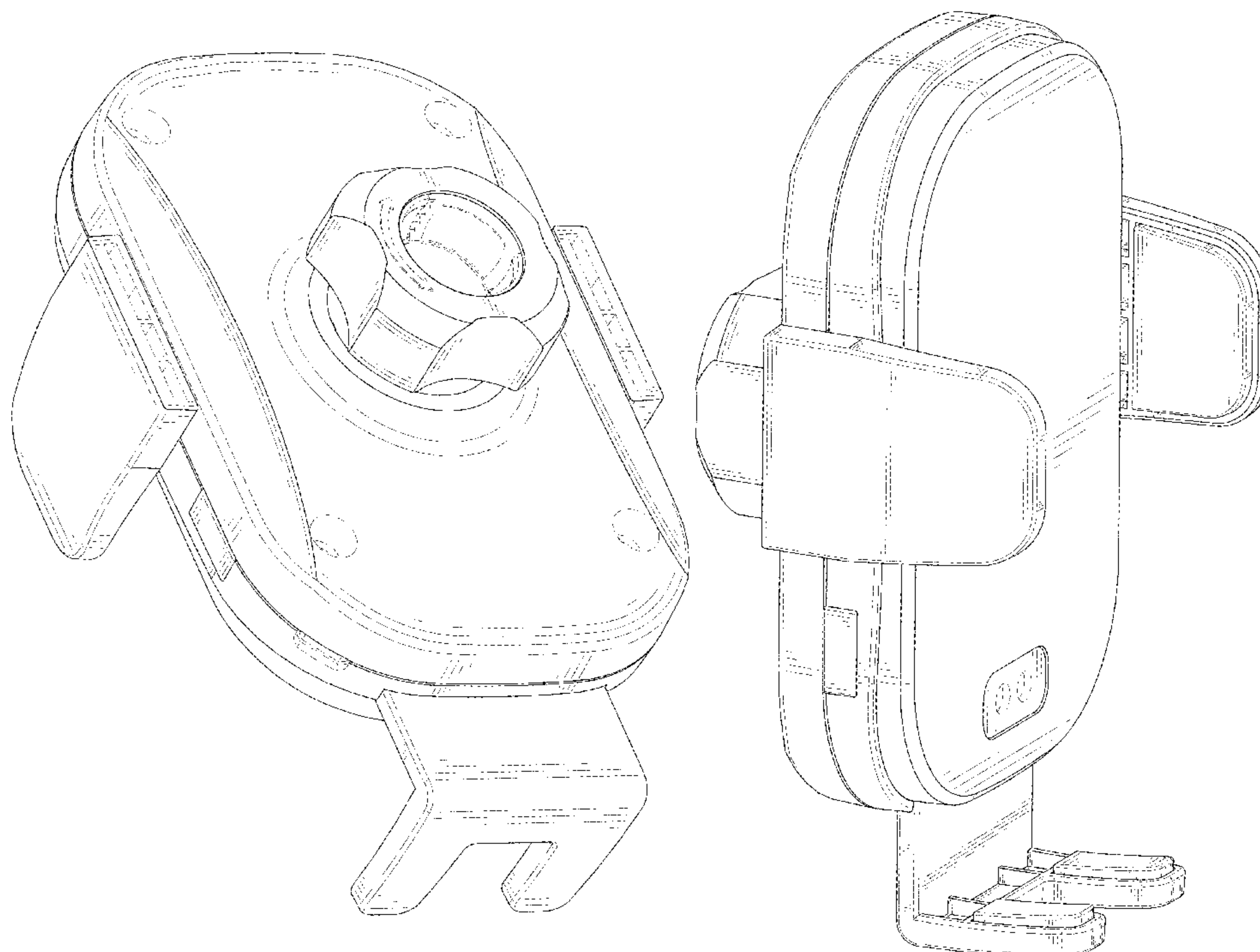
(57) **CLAIM**

The ornamental design for a mobile phone stand, as shown and described.

DESCRIPTION

FIG. 1 is a perspective view of a mobile phone and showing new design;
FIG. 2 is another perspective view thereof;
FIG. 3 is a front elevational view thereof;
FIG. 4 is a rear elevational view thereof;
FIG. 5 is a left side elevational view thereof;
FIG. 6 is a right side elevational view thereof;
FIG. 7 is a top plan view thereof; and,
FIG. 8 is a bottom plan view thereof.
The broken lines in the drawings depict portions of the mobile phone stand that form no part of the claimed design.

1 Claim, 8 Drawing Sheets



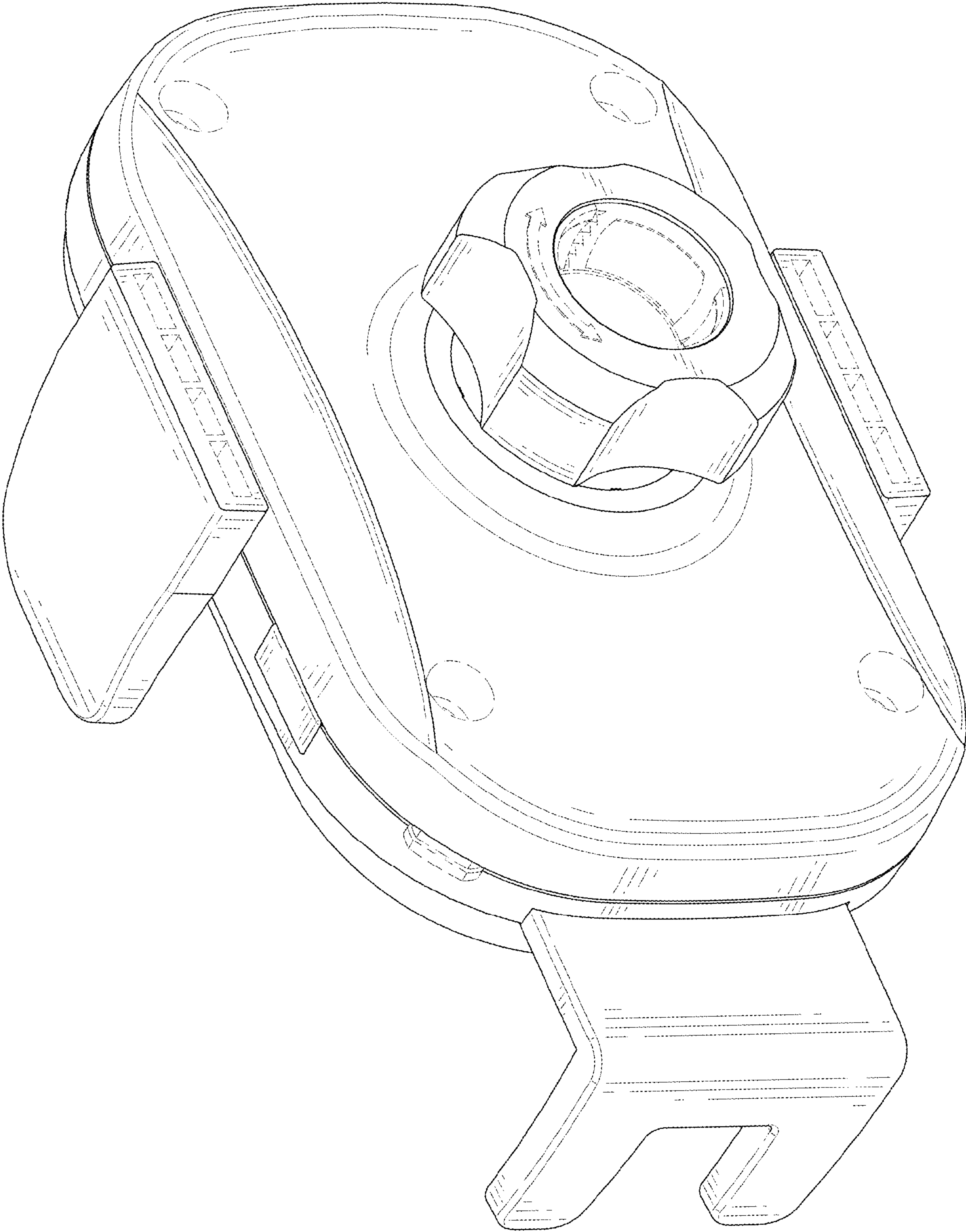


FIG. 1

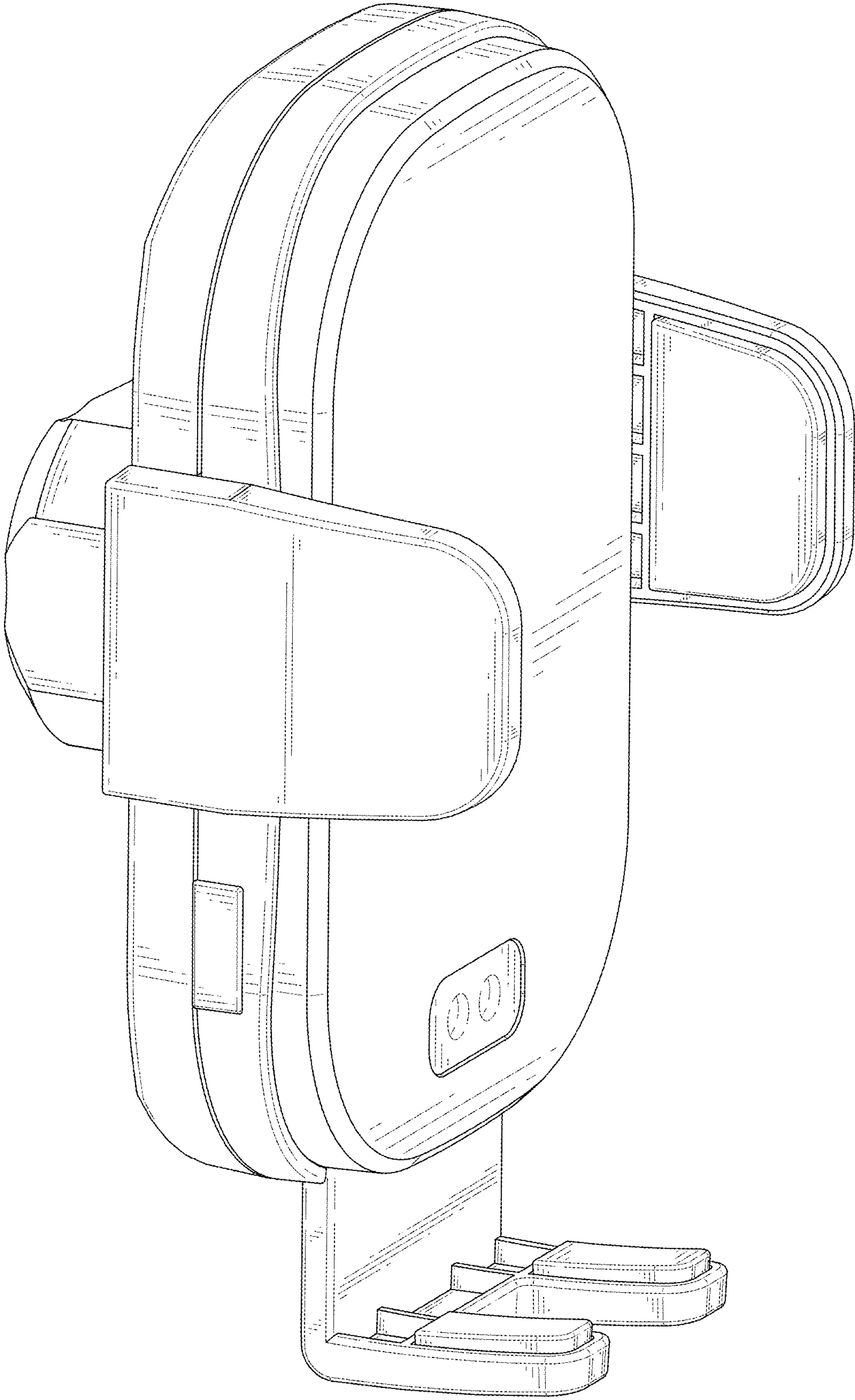


FIG. 2

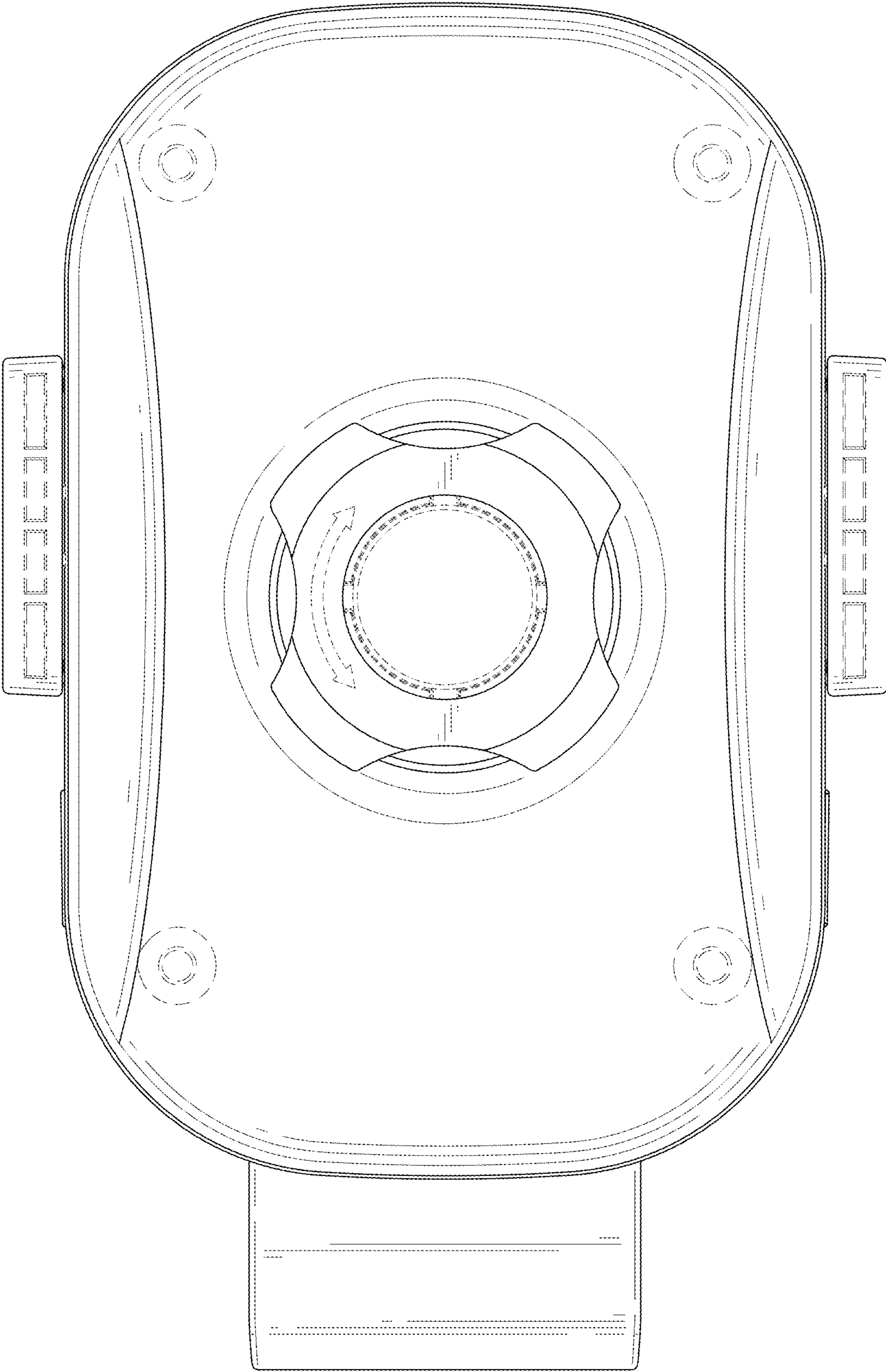


FIG. 3

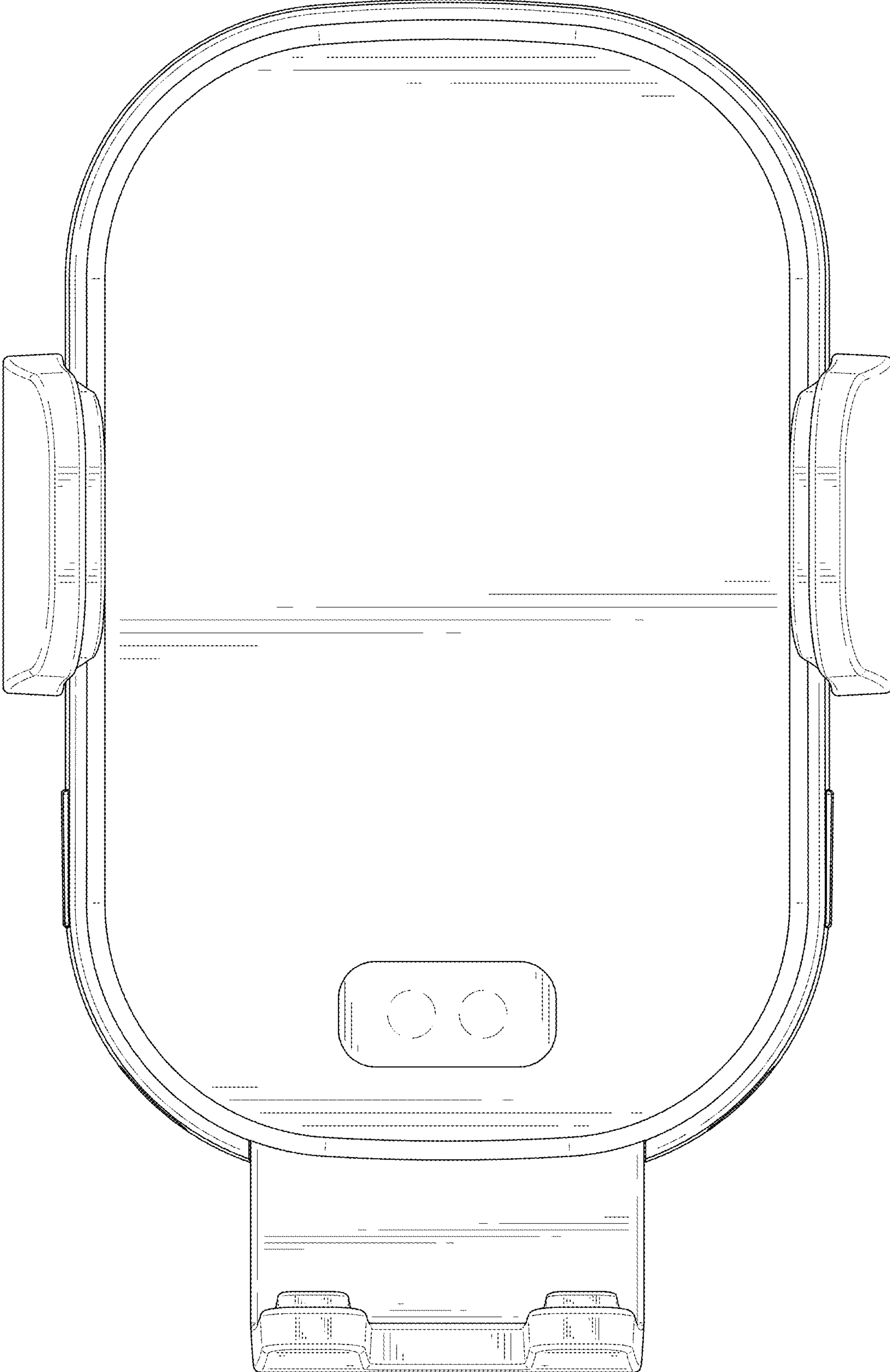


FIG. 4

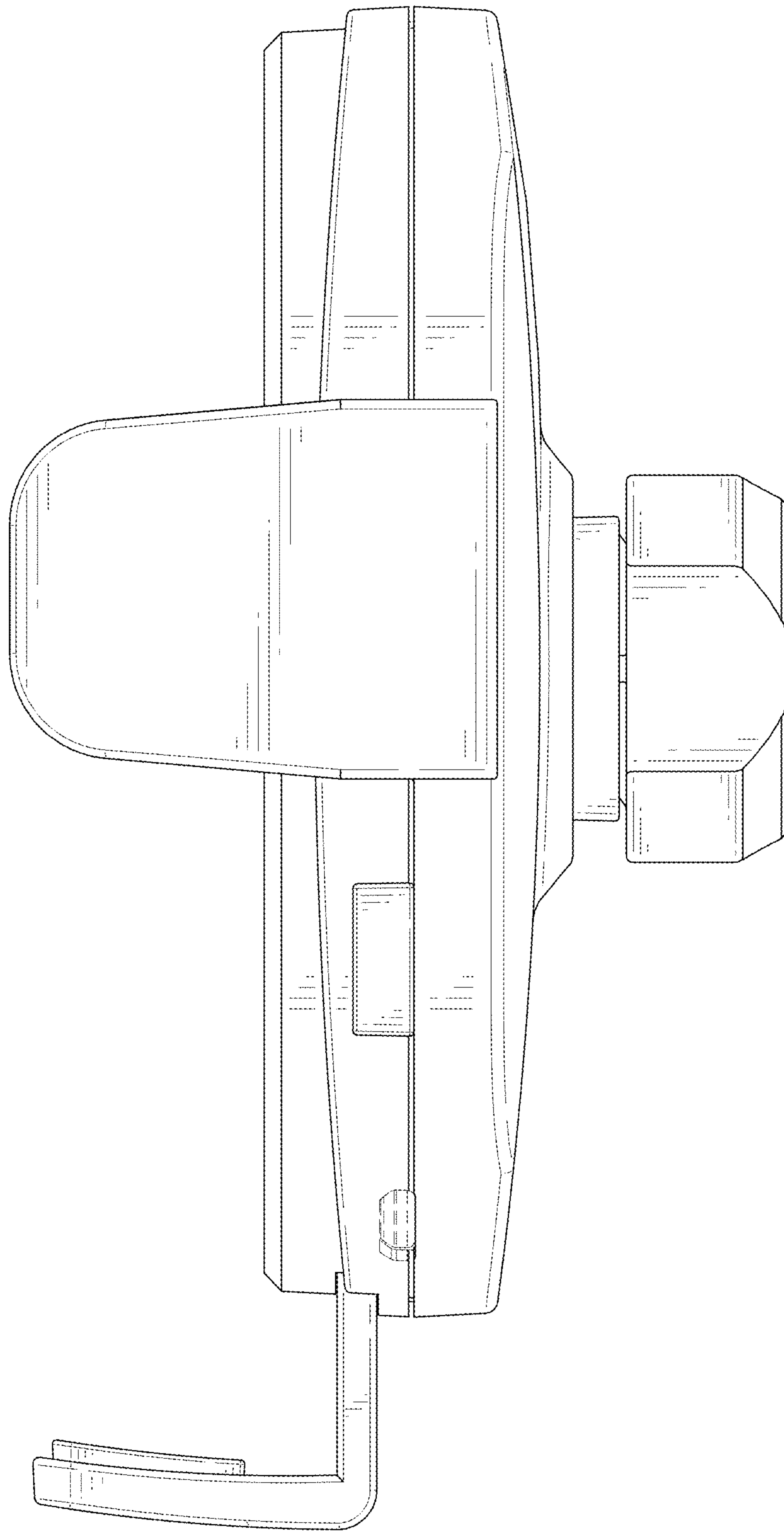


FIG. 5

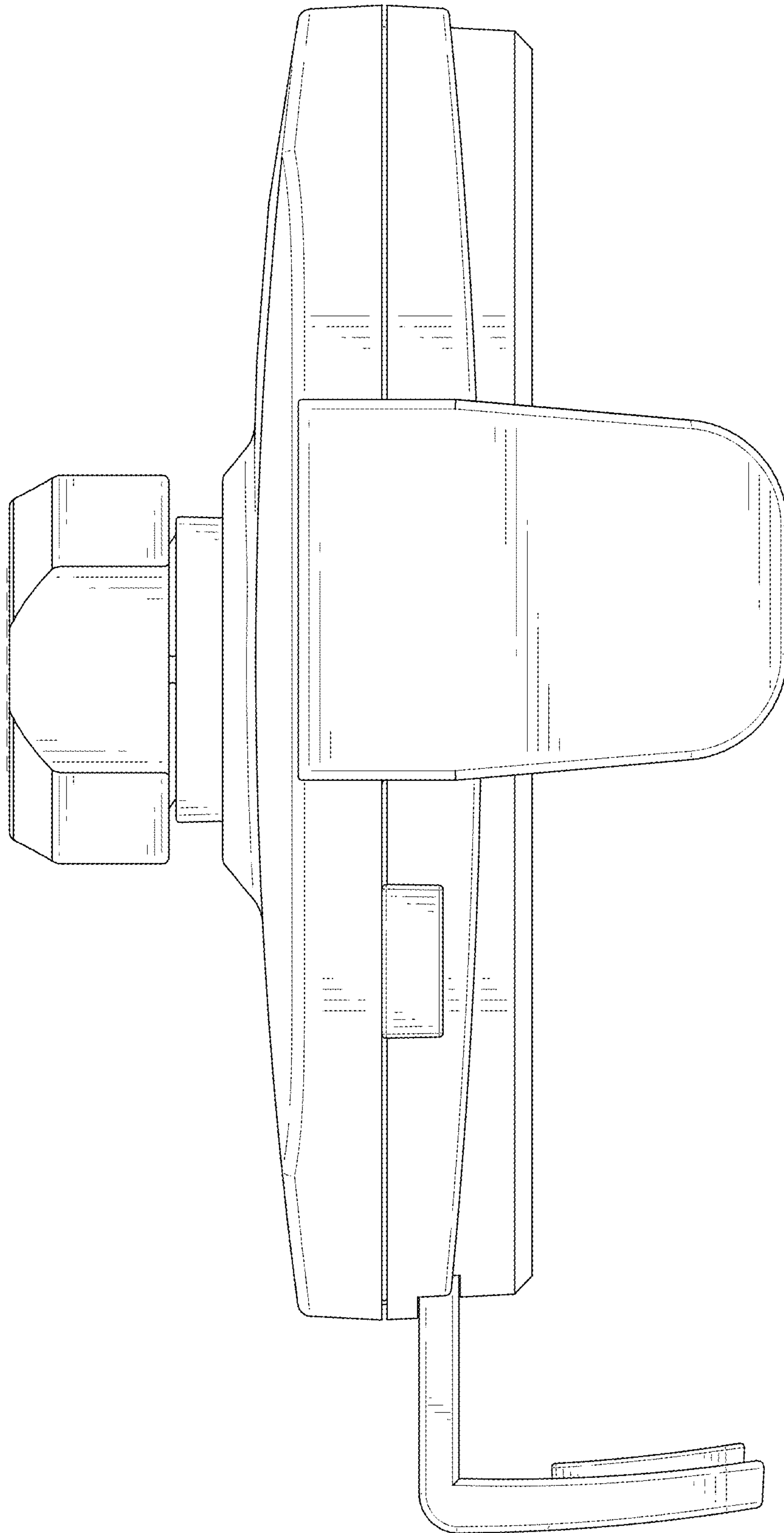


FIG. 6

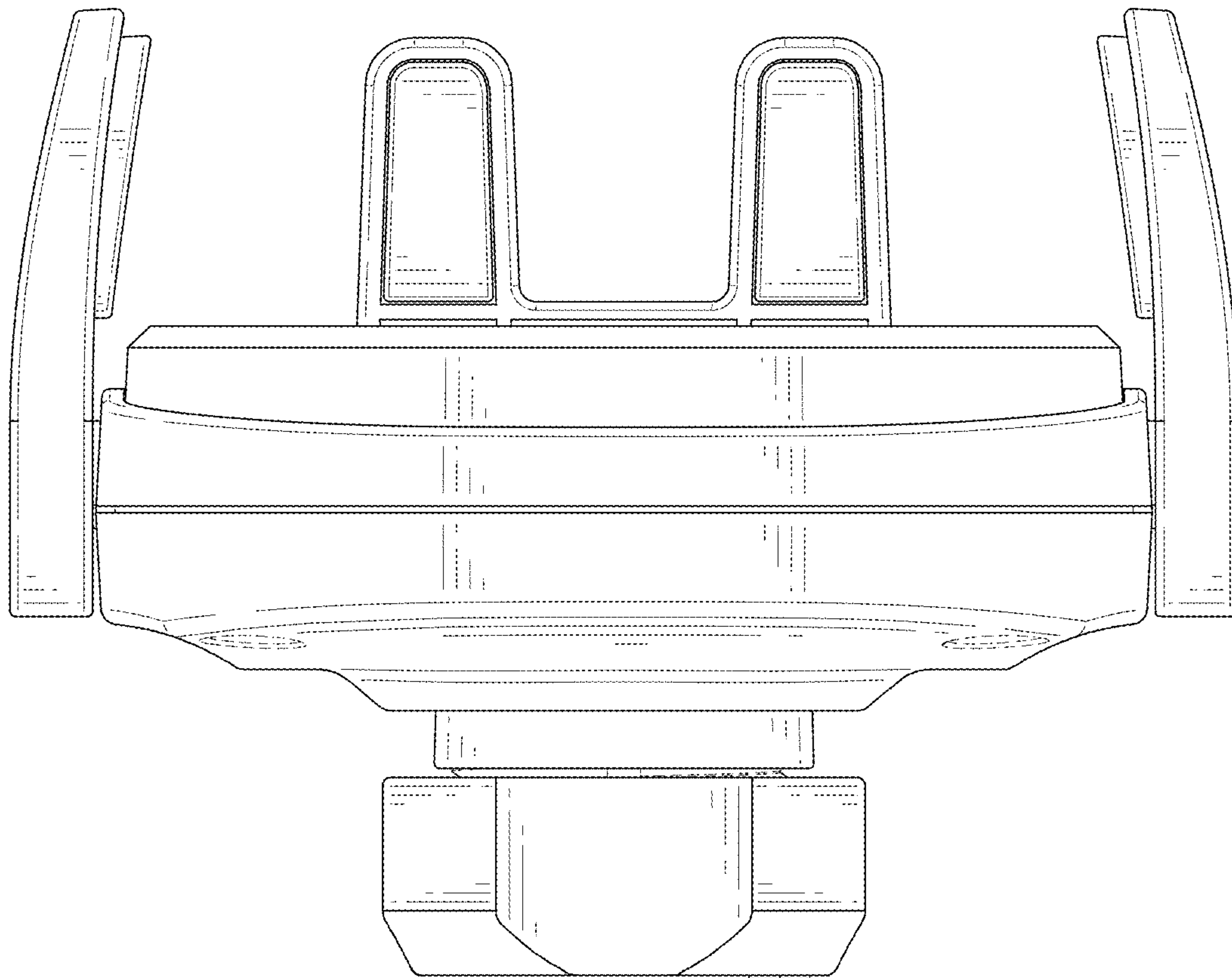


FIG. 7

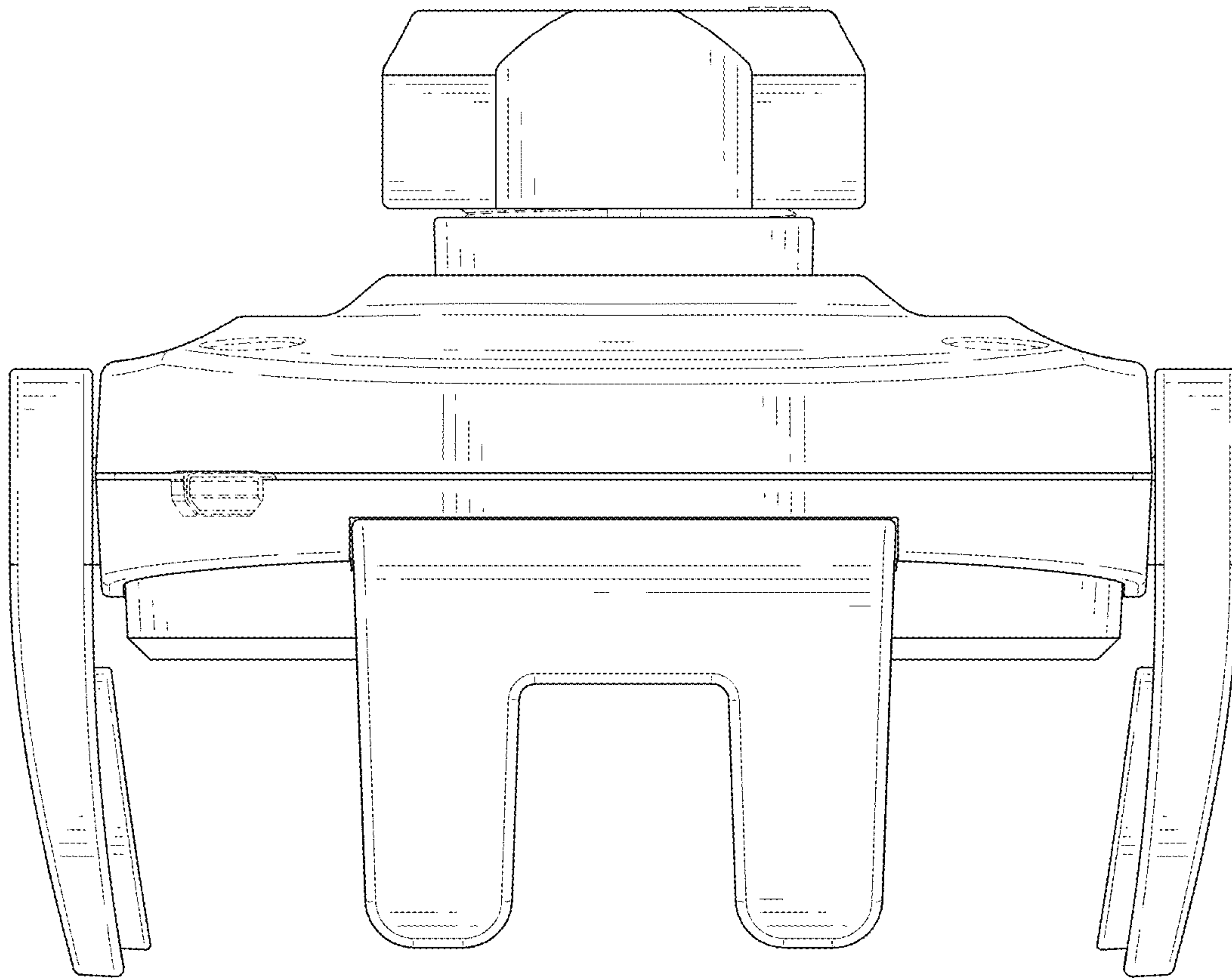


FIG. 8