



US00D895600S

(12) **United States Design Patent**  
**Lancet**

(10) **Patent No.:** **US D895,600 S**  
(45) **Date of Patent:** **\*\* Sep. 8, 2020**

(54) **FLEXIBLE PHONE STAND**  
(71) Applicant: **Thinking Gifts Company Limited,**  
London (GB)  
(72) Inventor: **Gary Lancet,** London (GB)  
(73) Assignee: **THINKING GIFTS COMPANY**  
**LIMITED,** London (GB)

(\*\*) Term: **15 Years**  
(21) Appl. No.: **29/688,062**  
(22) Filed: **Apr. 18, 2019**

(30) **Foreign Application Priority Data**

Dec. 21, 2018 (EM) ..... 005942281-0001

(51) **LOC (12) Cl.** ..... **14-03**  
(52) **U.S. Cl.**  
USPC ..... **D14/253**  
(58) **Field of Classification Search**  
USPC ..... D14/251-253, 447, 452, 432-434, 440;  
D12/415; D3/218; D8/349, 363  
CPC ..... H04M 1/02; H04M 1/04; B60R 11/02;  
F16M 11/00; F16M 11/04; F16M 11/06  
See application file for complete search history.

(56) **References Cited**

**U.S. PATENT DOCUMENTS**

8,522,965 B1 \* 9/2013 Hsiung ..... H04B 1/3888  
206/320  
D719,951 S \* 12/2014 Fenton ..... D14/253

D720,343 S \* 12/2014 Nichols ..... D14/253  
D857,005 S \* 8/2019 Yu ..... D14/253  
D878,350 S \* 3/2020 Stagge ..... D14/253  
D879,765 S \* 3/2020 Zhang ..... D14/253  
2012/0074291 A1 \* 3/2012 Fu ..... F16M 11/40  
248/560  
2016/0345695 A1 \* 12/2016 Stagge ..... A45F 5/00

\* cited by examiner

*Primary Examiner* — Janice Hallmark

(74) *Attorney, Agent, or Firm* — Soroker Agmon  
Nordman

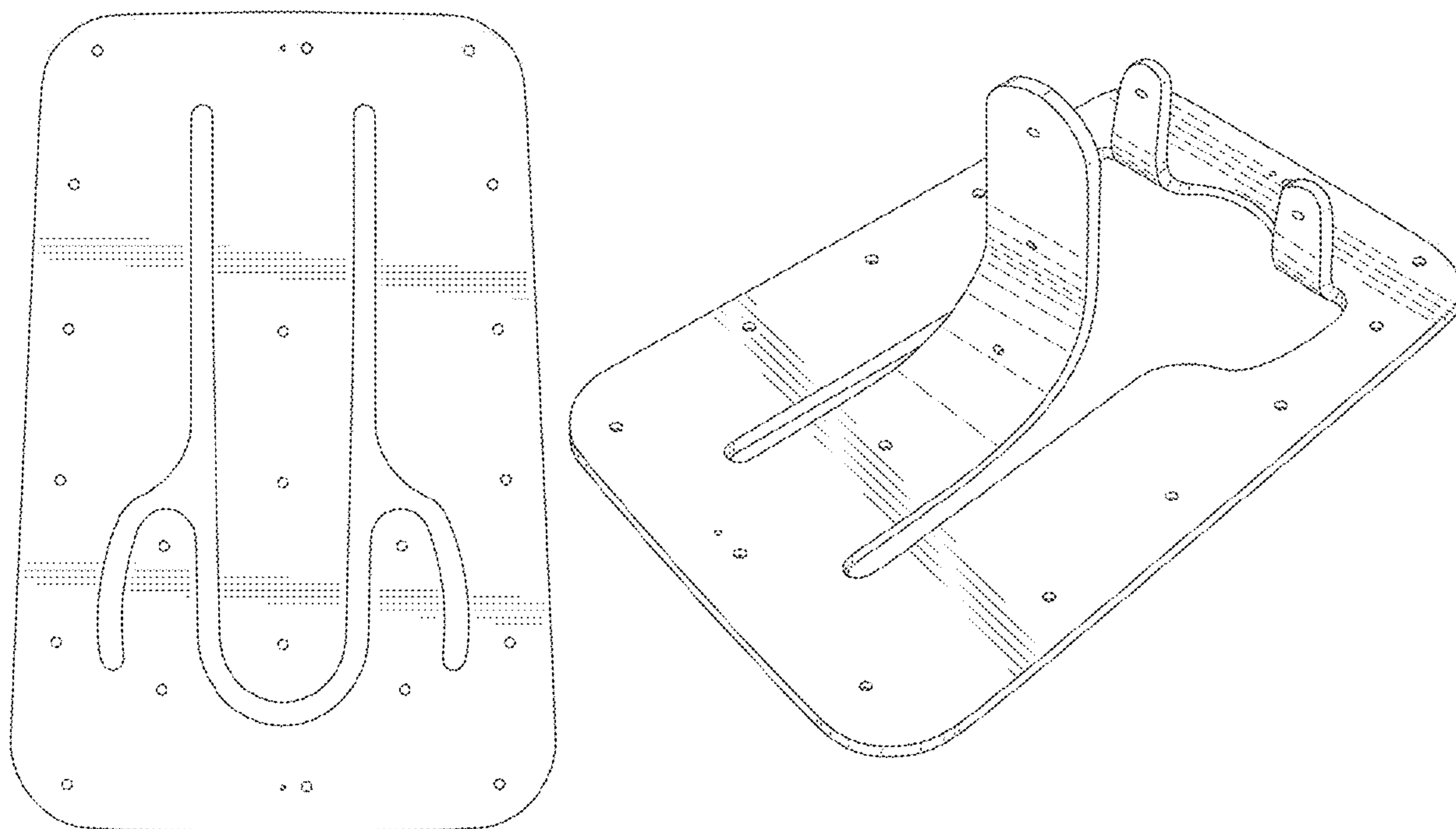
(57) **CLAIM**

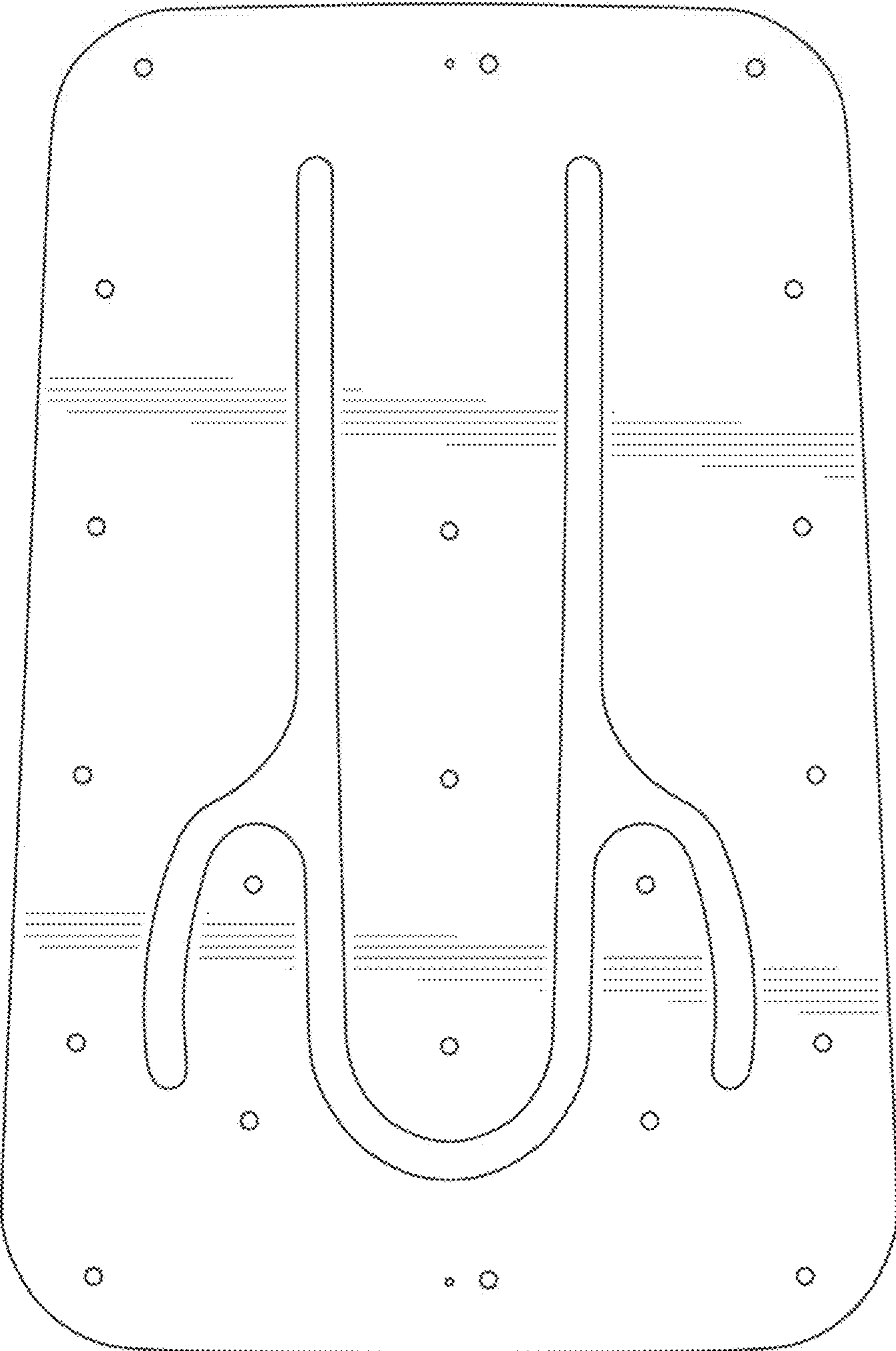
The ornamental design for a flexible phone stand, as shown  
and described.

**DESCRIPTION**

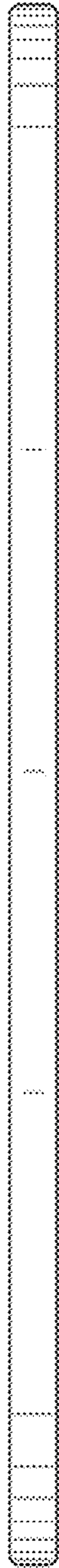
FIG. 1 is a top view of a flexible phone stand showing my  
new design; and the bottom view is a mirror image;  
FIG. 2 is a right-side view thereof; and the left-side view is  
a mirror image;  
FIG. 3 is a front view thereof; and the rear view is a mirror  
image;  
FIG. 4 is a top view of the flexible phone stand of FIG. 1 in  
an alternate position showing a state of use;  
FIG. 5 is a bottom view thereof;  
FIG. 6 is a right-side view thereof; and the left-side view is  
a mirror image;  
FIG. 7 is a front view thereof;  
FIG. 8 is a rear view thereof; and,  
FIG. 9 is perspective view of thereof.

**1 Claim, 9 Drawing Sheets**





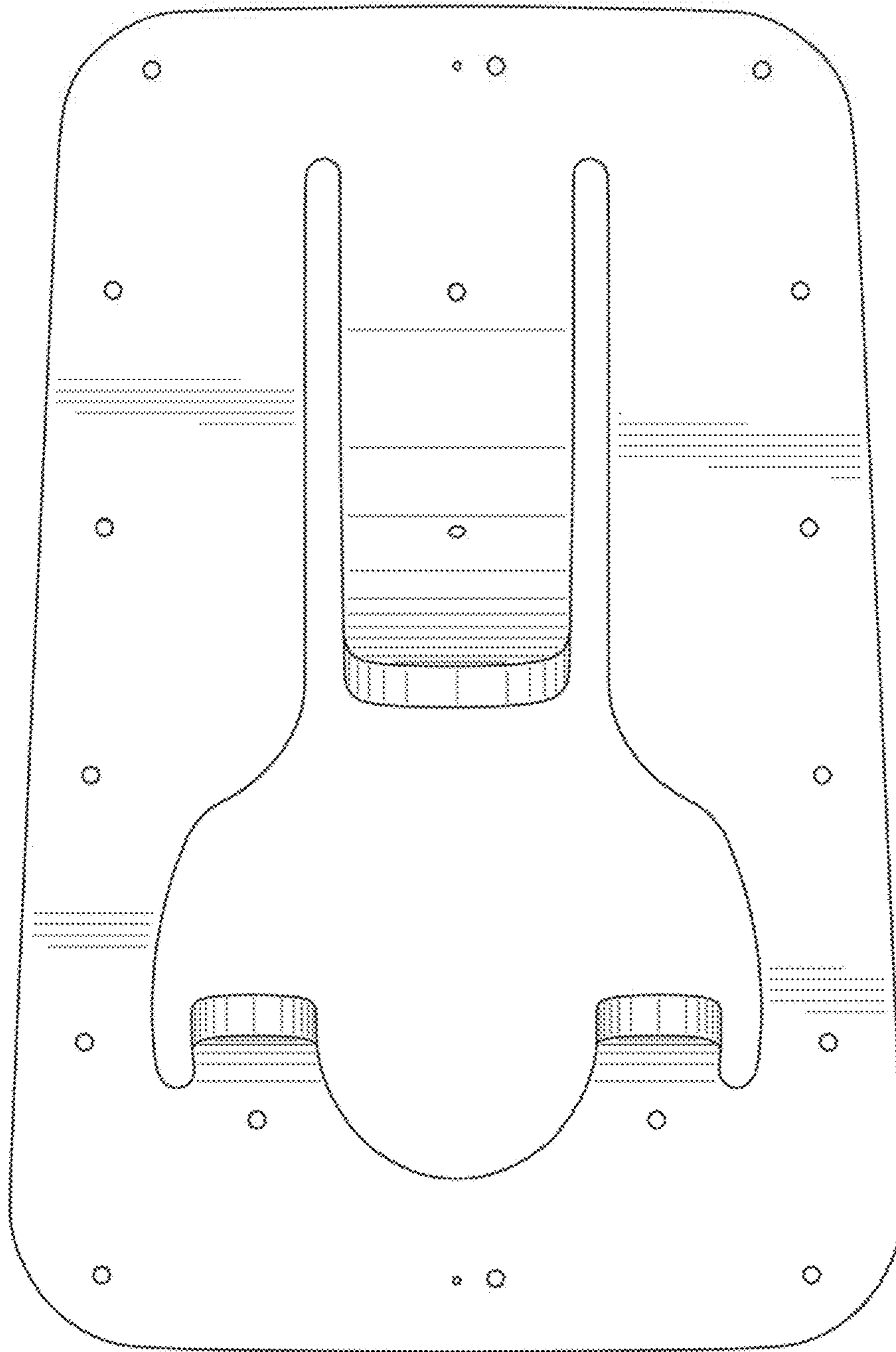
*Fig. 1*



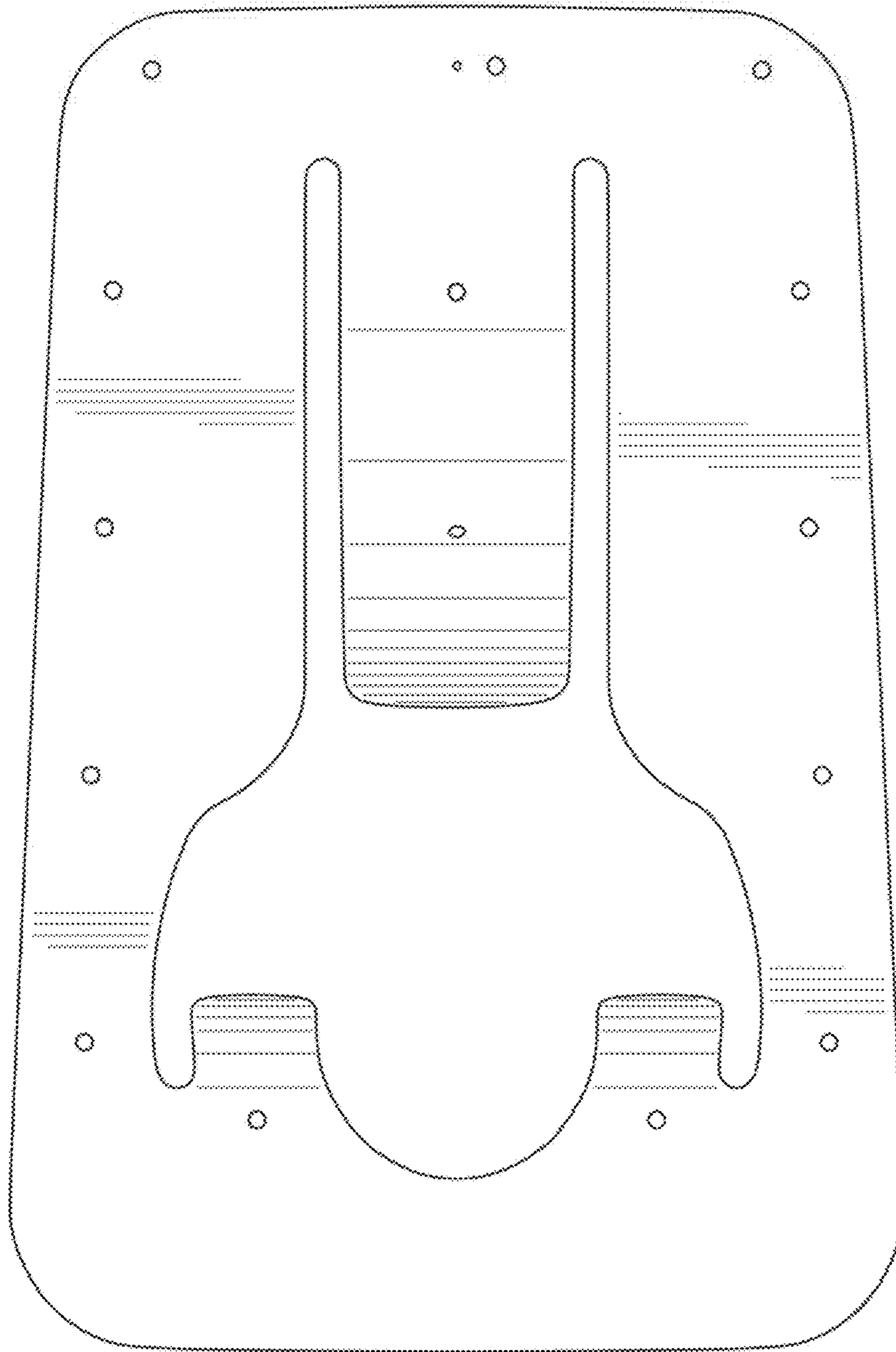
*Fig. 2*



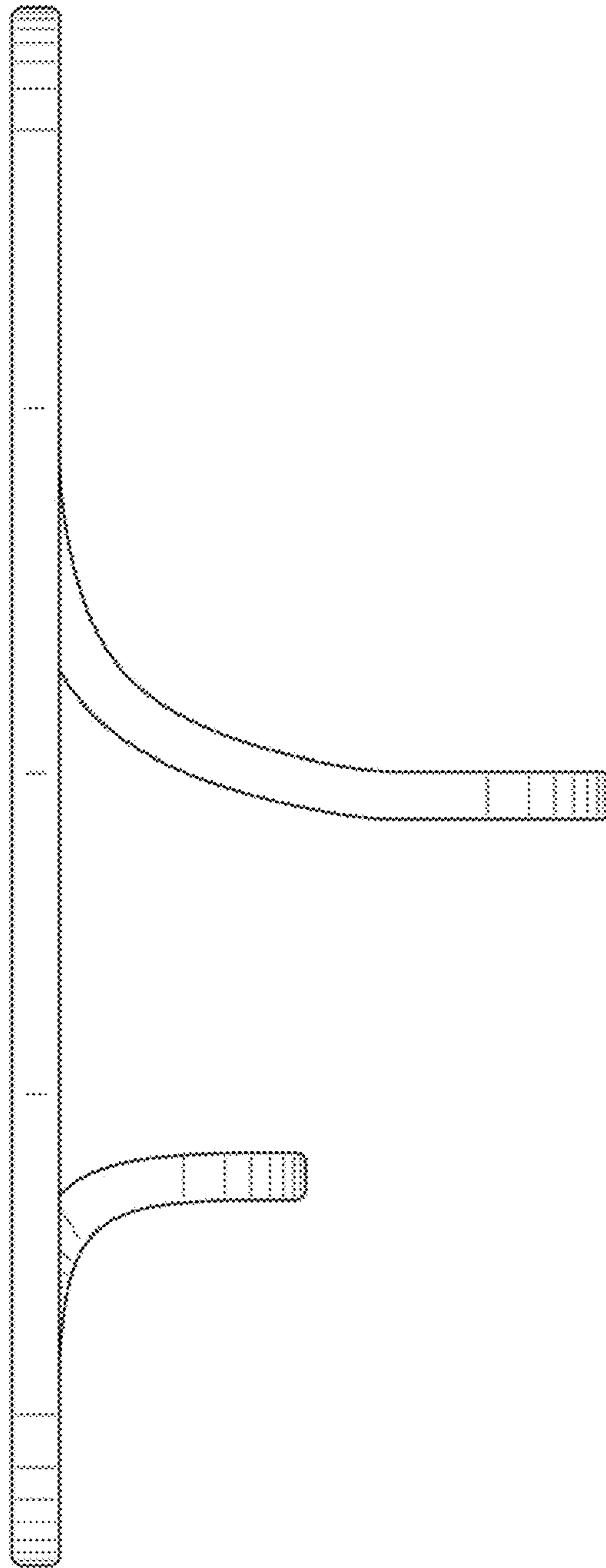
*Fig. 3*



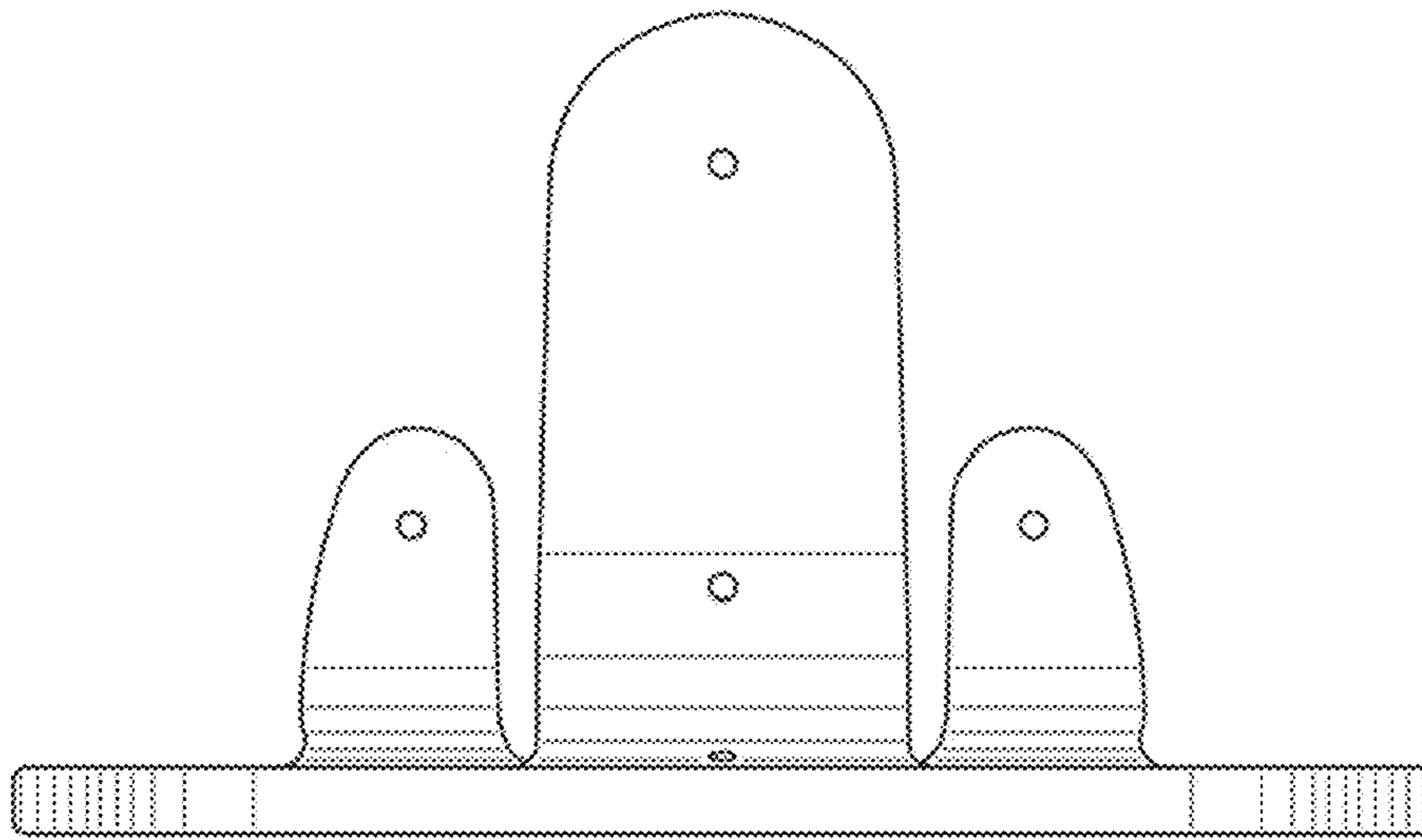
*Fig. 4*



*Fig. 5*

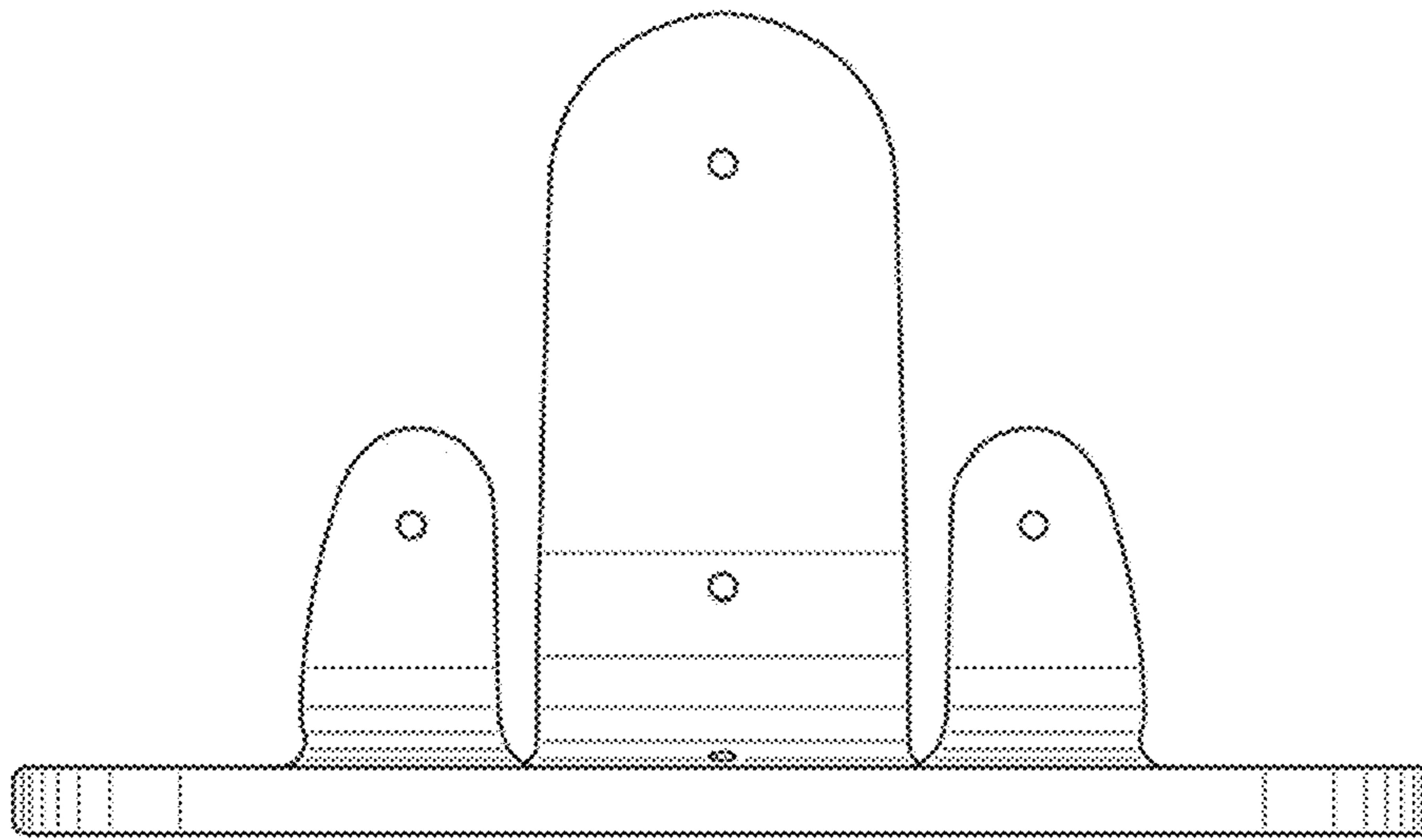


*Fig. 6*



*Fig. 7*





*Fig. 8*

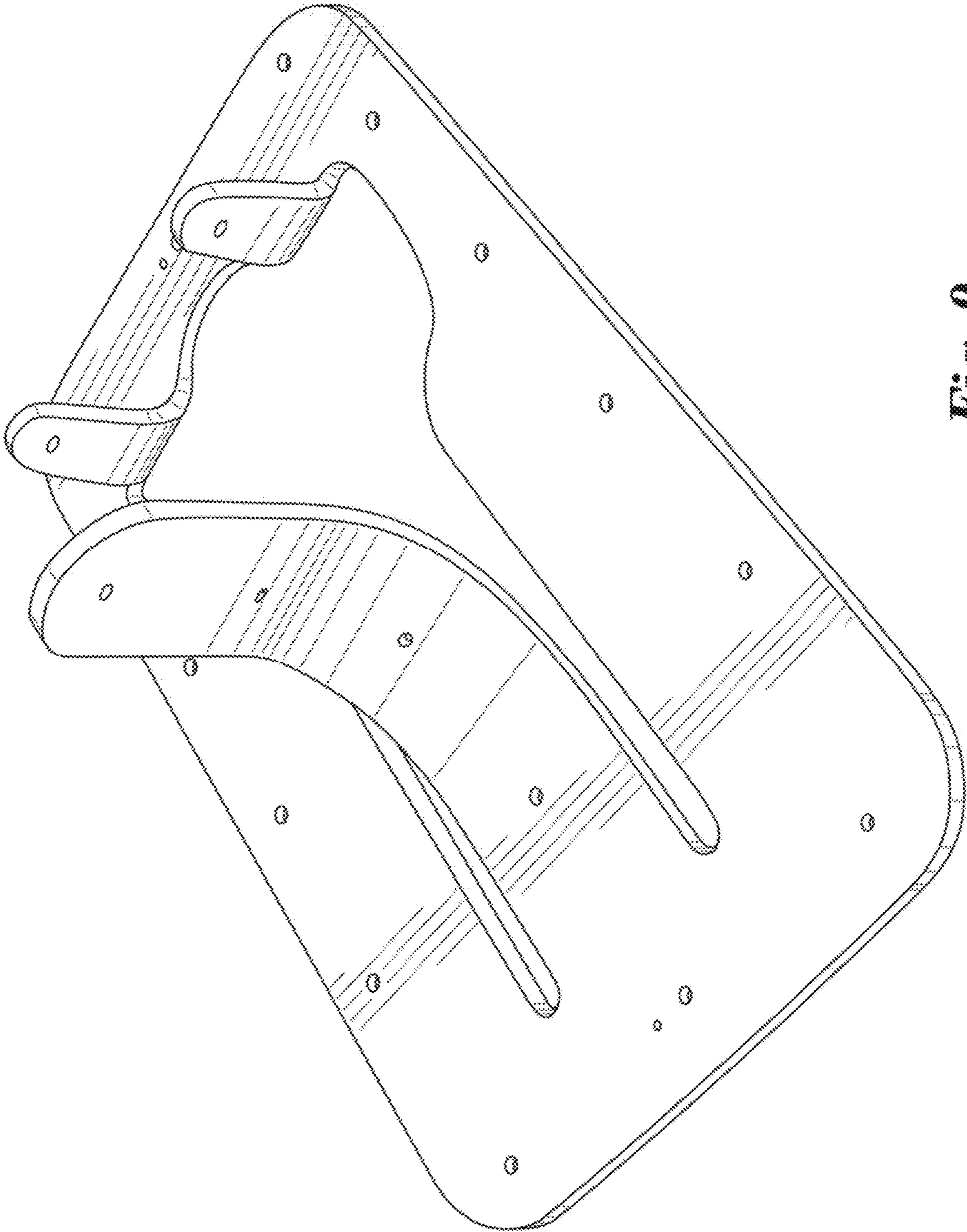


Fig. 9