



US00D895599S

(12) **United States Design Patent** (10) **Patent No.:** **US D895,599 S**
Zhao (45) **Date of Patent:** **** Sep. 8, 2020**

(54) **PHONE COVER**
(71) Applicant: **Jing Zhao**, Shenzhen (CN)
(72) Inventor: **Jing Zhao**, Shenzhen (CN)
(**) Term: **15 Years**
(21) Appl. No.: **29/720,808**
(22) Filed: **Jan. 16, 2020**
(51) **LOC (12) Cl.** **14-03**
(52) **U.S. Cl.**
USPC **D14/250**
(58) **Field of Classification Search**
USPC D14/440, 203.3–203.7, 439, 238.1,
D14/251–253, 447, 217, 240, 248, 250;
D3/201, 218, 247, 269, 273, 301, 303,
D3/249; D13/103, 119, 107–108
CPC H04B 1/3888; H04M 1/0283;
H04M 1/0202; A45C 1/06; A45C 11/00;
A45C 13/02; A45C 2011/002; A45F
2005/026; A45F 2200/0525; A45F
2200/0516
See application file for complete search history.

D793,082 S * 8/2017 Zhang D3/249
D793,725 S * 8/2017 Zhang D3/249
D794,952 S * 8/2017 Feng D3/247
D803,558 S * 11/2017 Liu D3/247
D810,067 S 2/2018 Lee et al.
D814,185 S * 4/2018 Liu D3/249
D822,989 S * 7/2018 Persson D3/249
D842,289 S * 3/2019 Feng D14/250
D843,992 S * 3/2019 Lu D14/250
D844,596 S * 4/2019 Liu D14/250
D856,671 S * 8/2019 Li D3/249
D858,096 S * 9/2019 Liu D3/249
D866,179 S * 11/2019 Zhao D3/249
D869,843 S * 12/2019 Zhou D3/249
2003/0150756 A1 * 8/2003 Kajiya A45C 13/02
206/320

* cited by examiner

Primary Examiner — Carla J Wright

(57) **CLAIM**

The ornamental design for a phone cover, as shown and described.

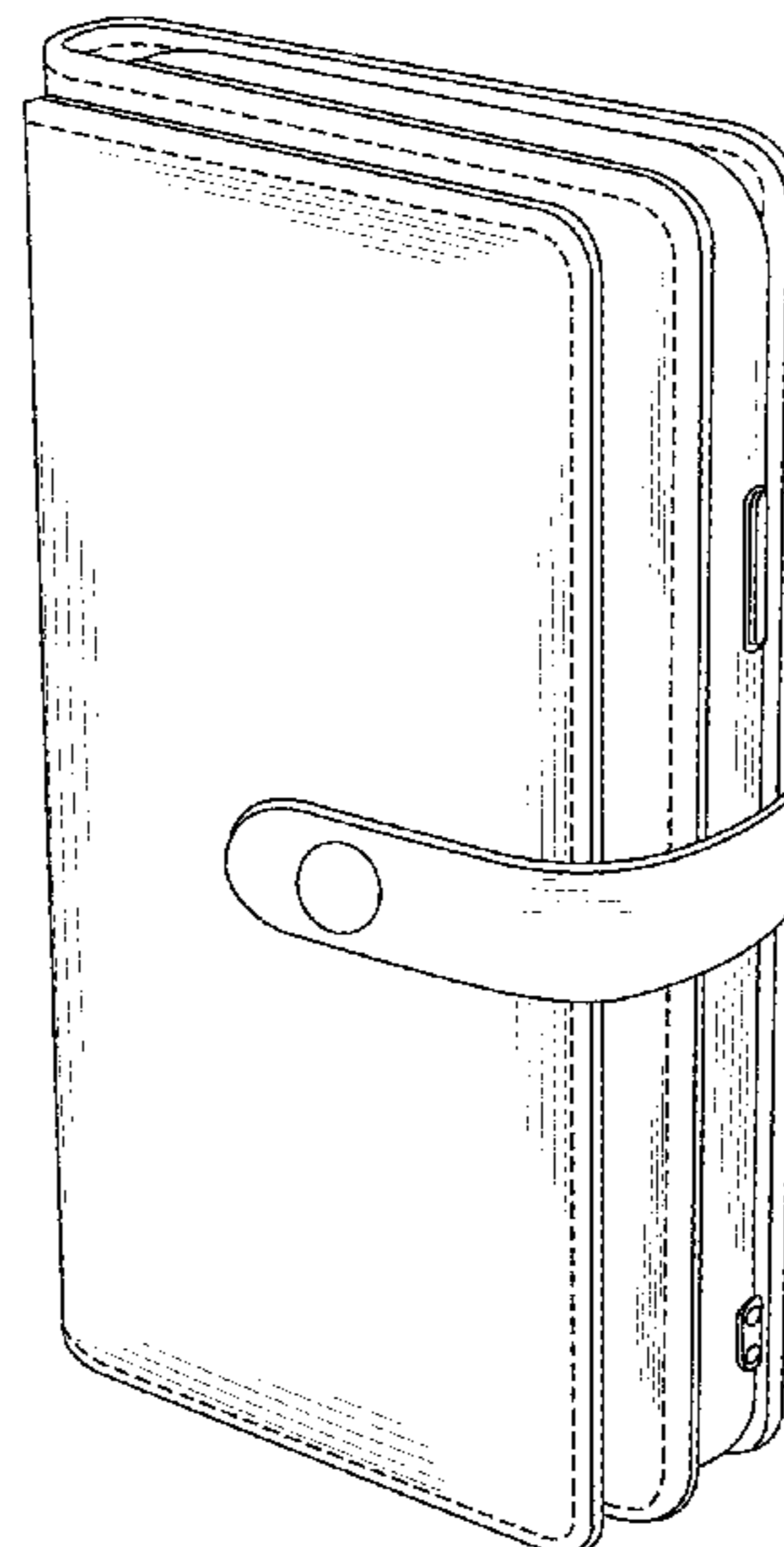
DESCRIPTION

FIG. 1 is a rear elevational view of a phone cover showing my new design;
FIG. 2 is a front elevational view thereof;
FIG. 3 is a left side elevational view thereof;
FIG. 4 is a right side elevational view thereof;
FIG. 5 is a top plan view thereof;
FIG. 6 is a bottom plan view thereof;
FIG. 7 is a perspective view thereof;
FIG. 8 is a perspective view of the phone cover where the phone cover is in a first open state;
FIG. 9 is a rear elevational view of the phone cover where the phone cover is in a second open state; and,
FIG. 10 is a rear elevational view of the phone cover where the phone cover is in a third open state.
The broken lines in the drawings depict stitching, which is part of the claimed design.

(56) **References Cited**
U.S. PATENT DOCUMENTS

D414,033 S * 9/1999 Rohm D3/201
D621,396 S * 8/2010 Lee D14/252
D677,668 S * 3/2013 Phillips D14/440
D700,599 S * 3/2014 Kim D14/250
D714,054 S * 9/2014 Kershenstein D3/269
D729,522 S * 5/2015 Kim D3/218
9,118,390 B2 * 8/2015 Lin H04B 1/3888
D737,828 S * 9/2015 Albano D14/440
D738,620 S * 9/2015 Schmole D3/249
D745,780 S * 12/2015 Feng D3/269
D755,169 S 5/2016 Kim et al.
D762,615 S * 8/2016 Kim D14/203.4
D767,549 S 9/2016 Park et al.
D767,888 S * 10/2016 Kim D3/249

1 Claim, 10 Drawing Sheets



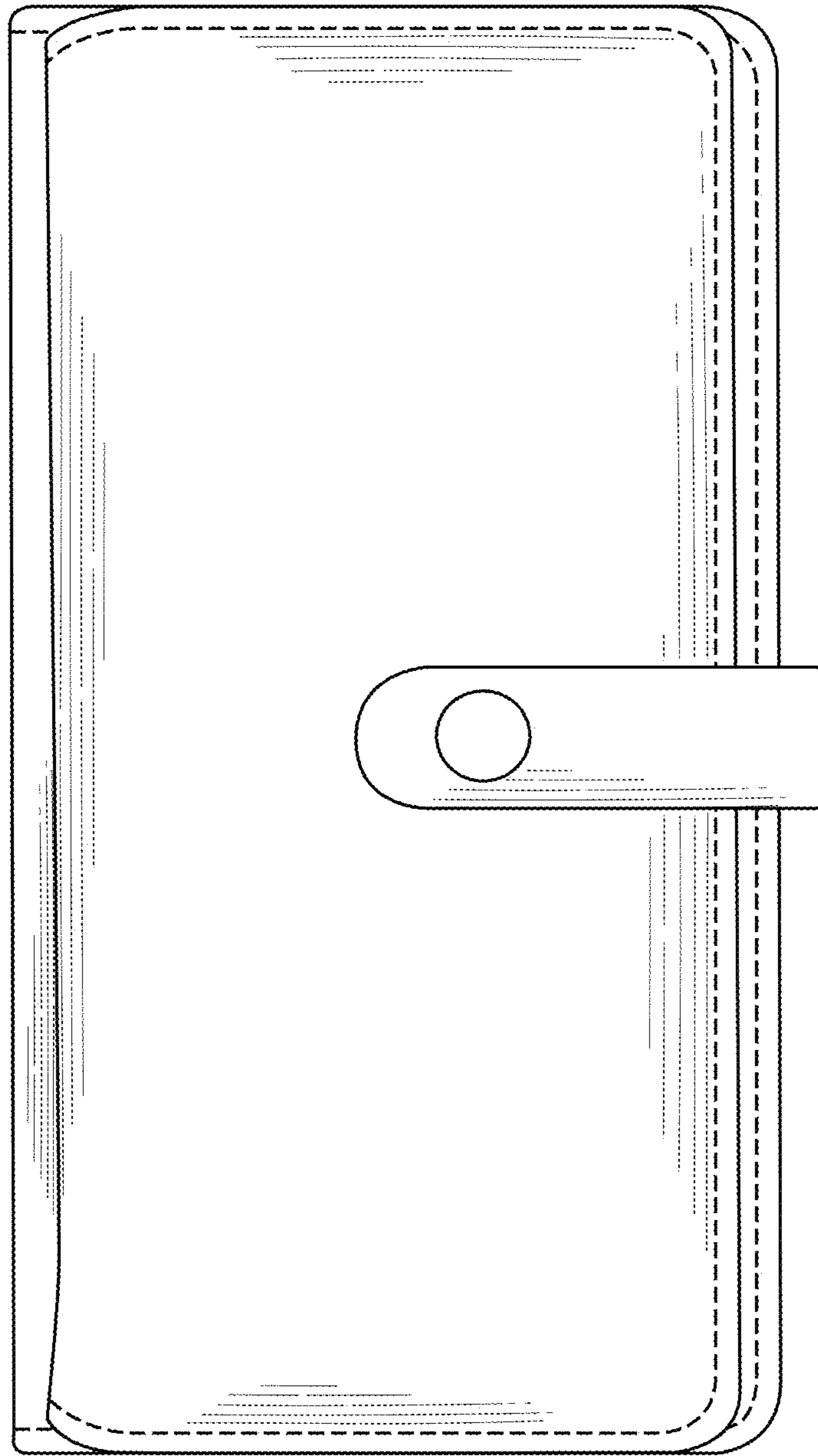


FIG. 1

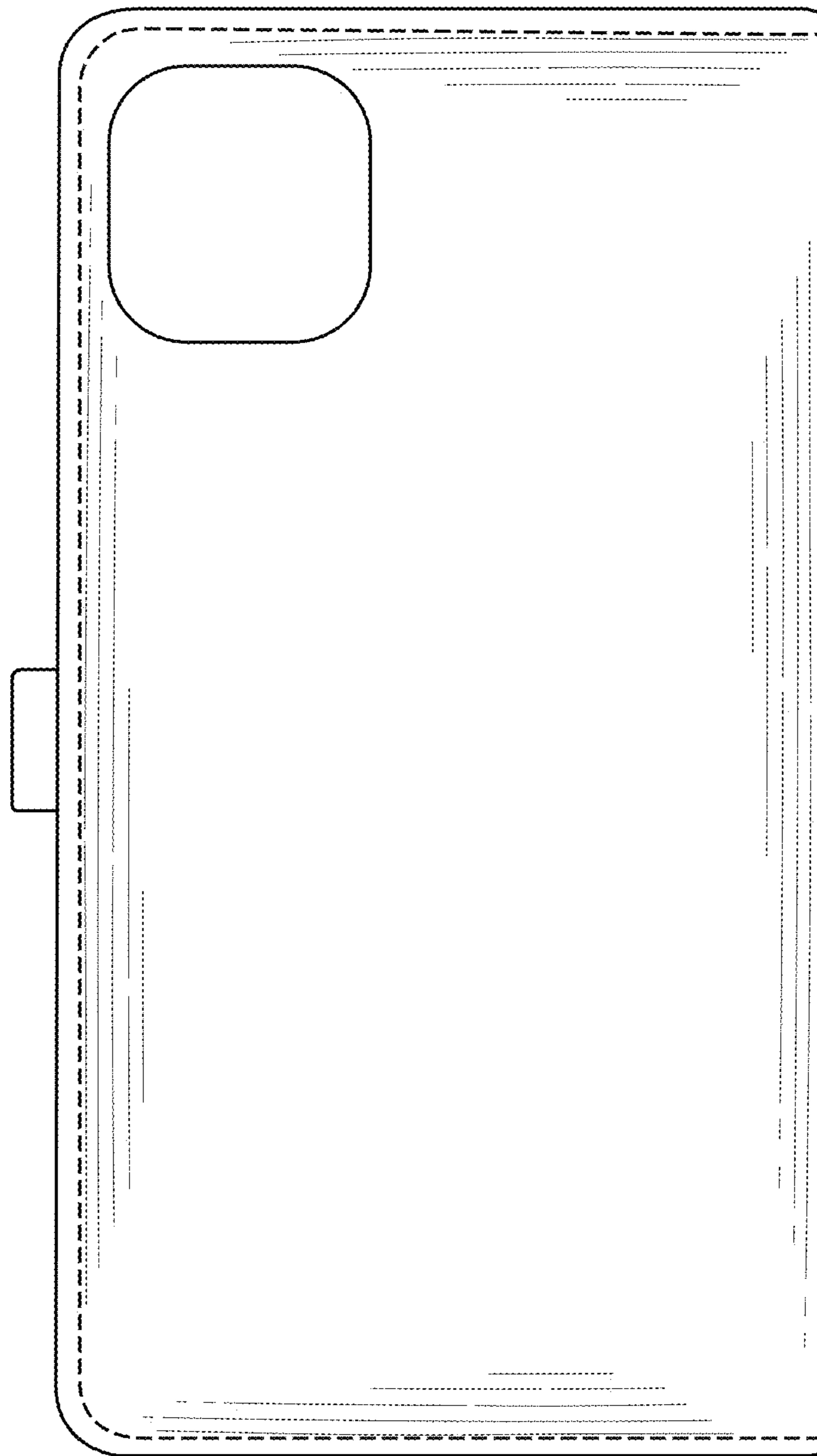


FIG. 2

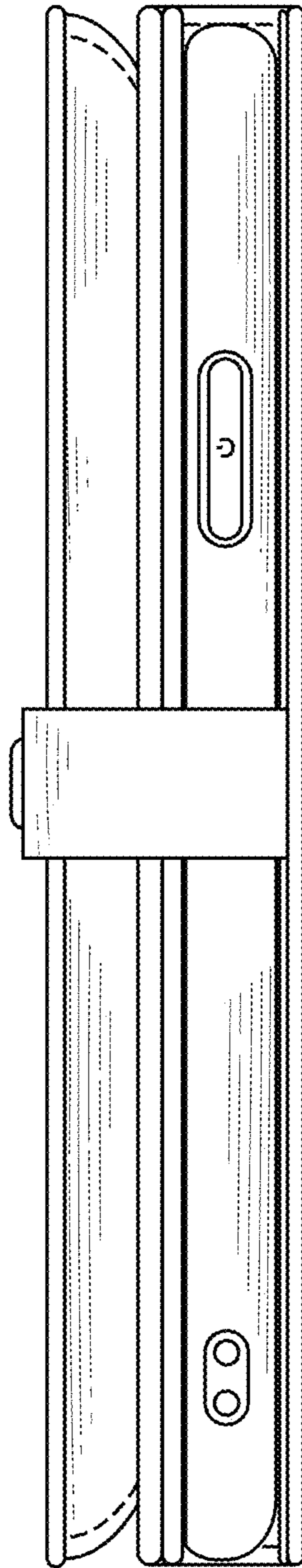


FIG. 3

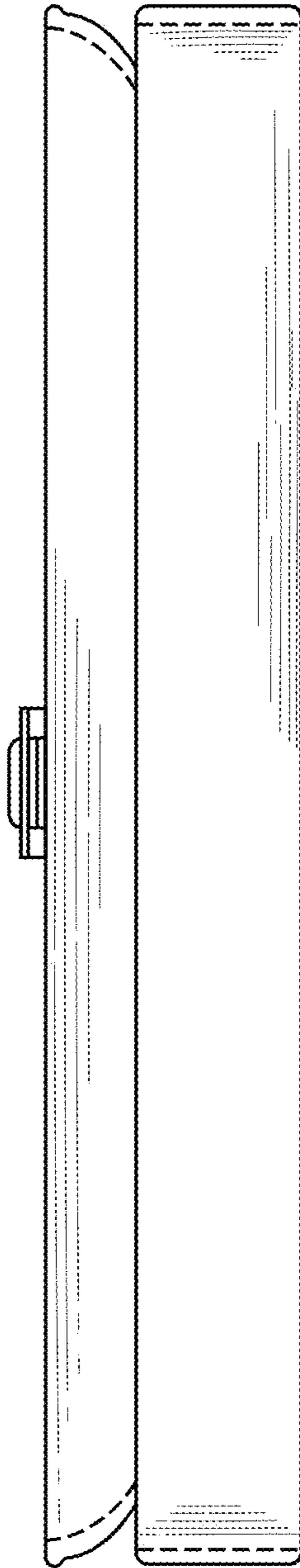


FIG. 4

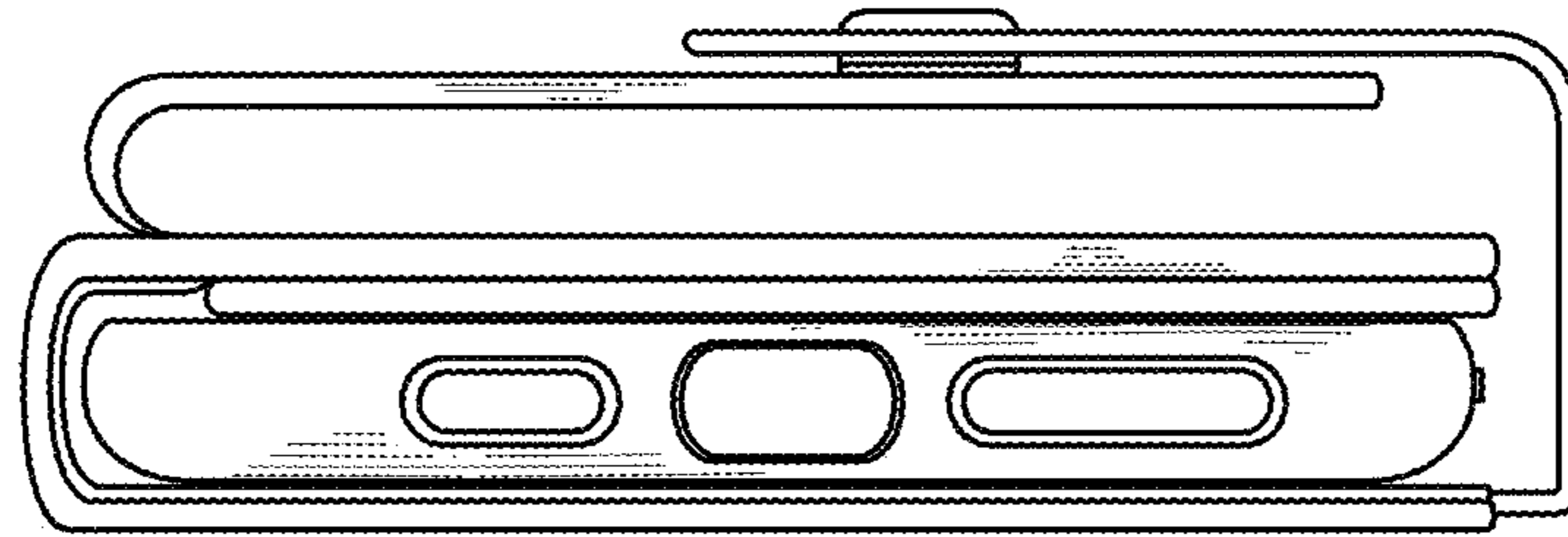


FIG. 5

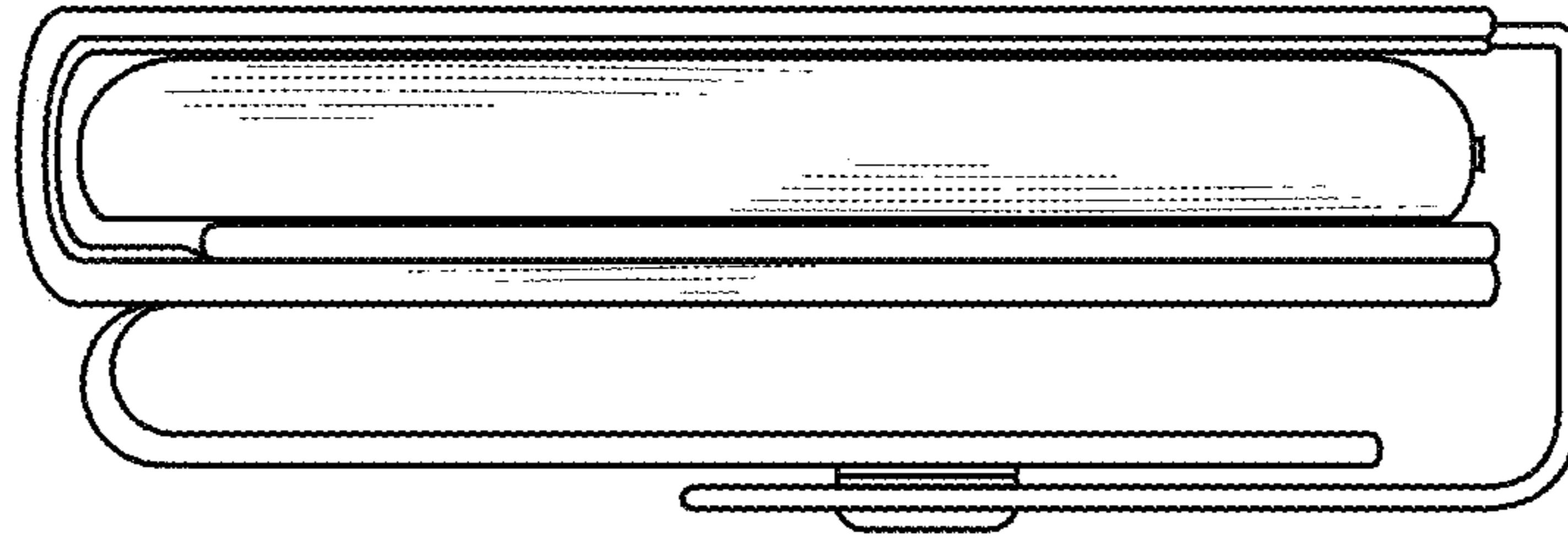


FIG. 6

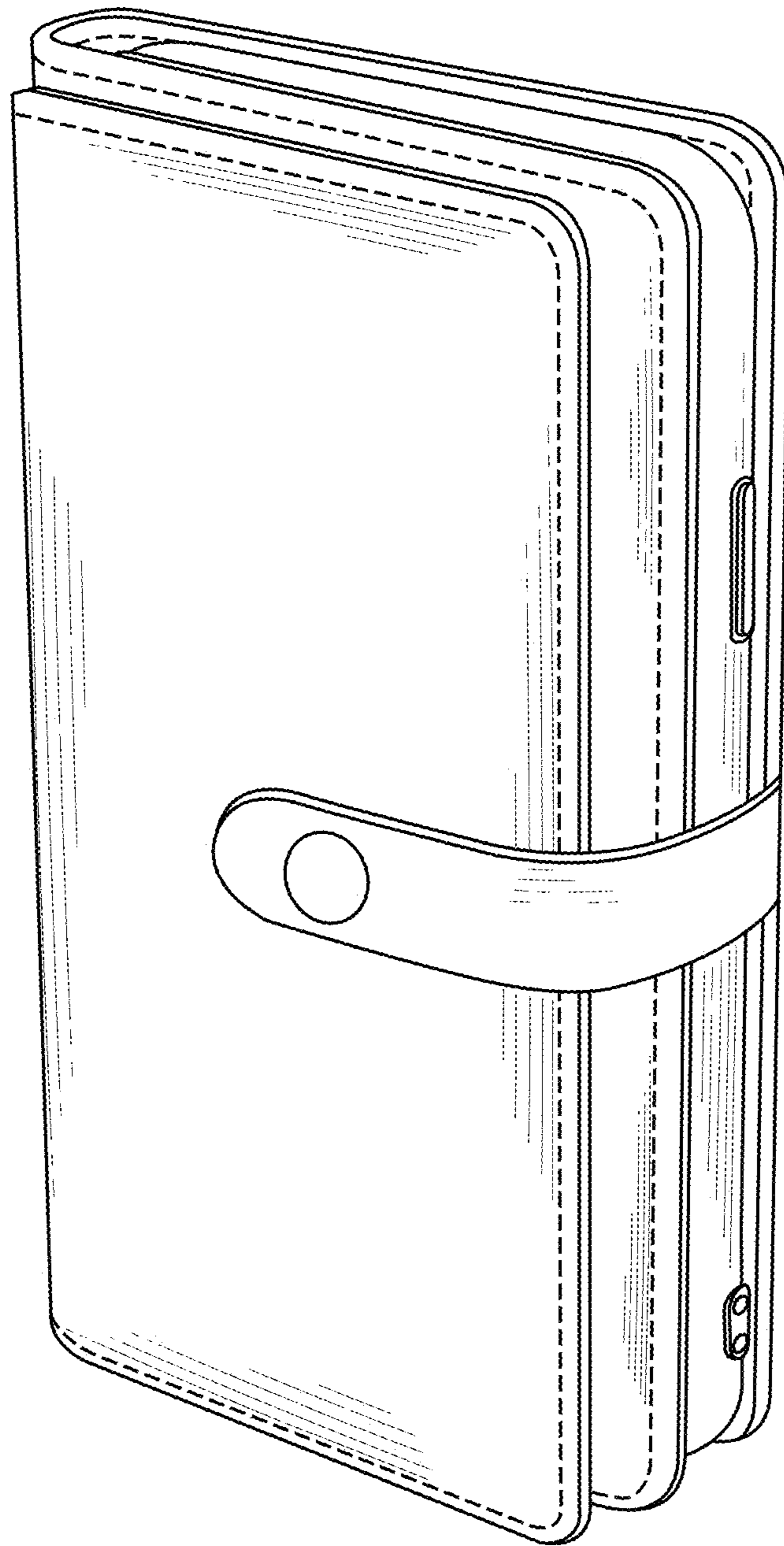


FIG. 7

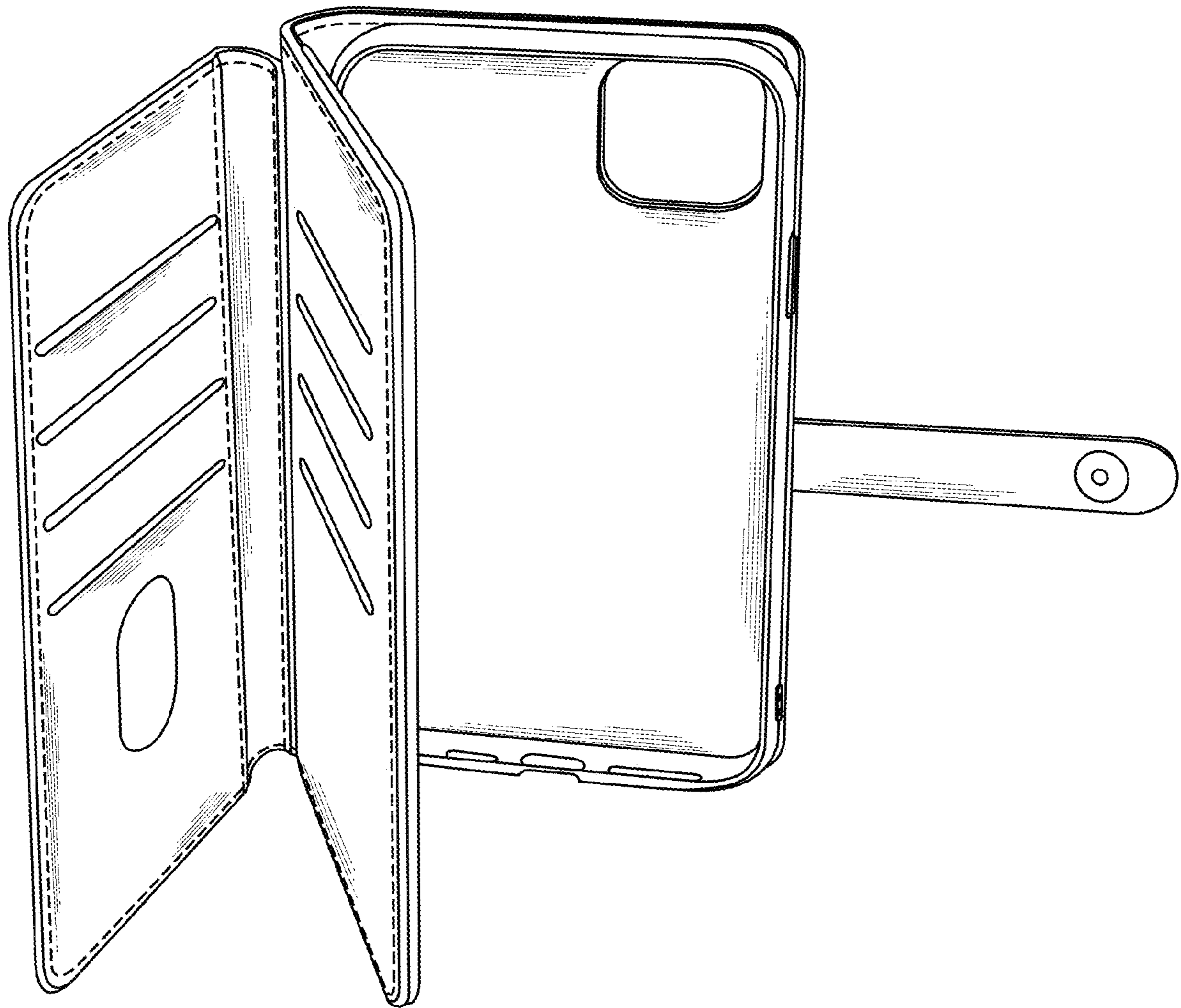


FIG. 8

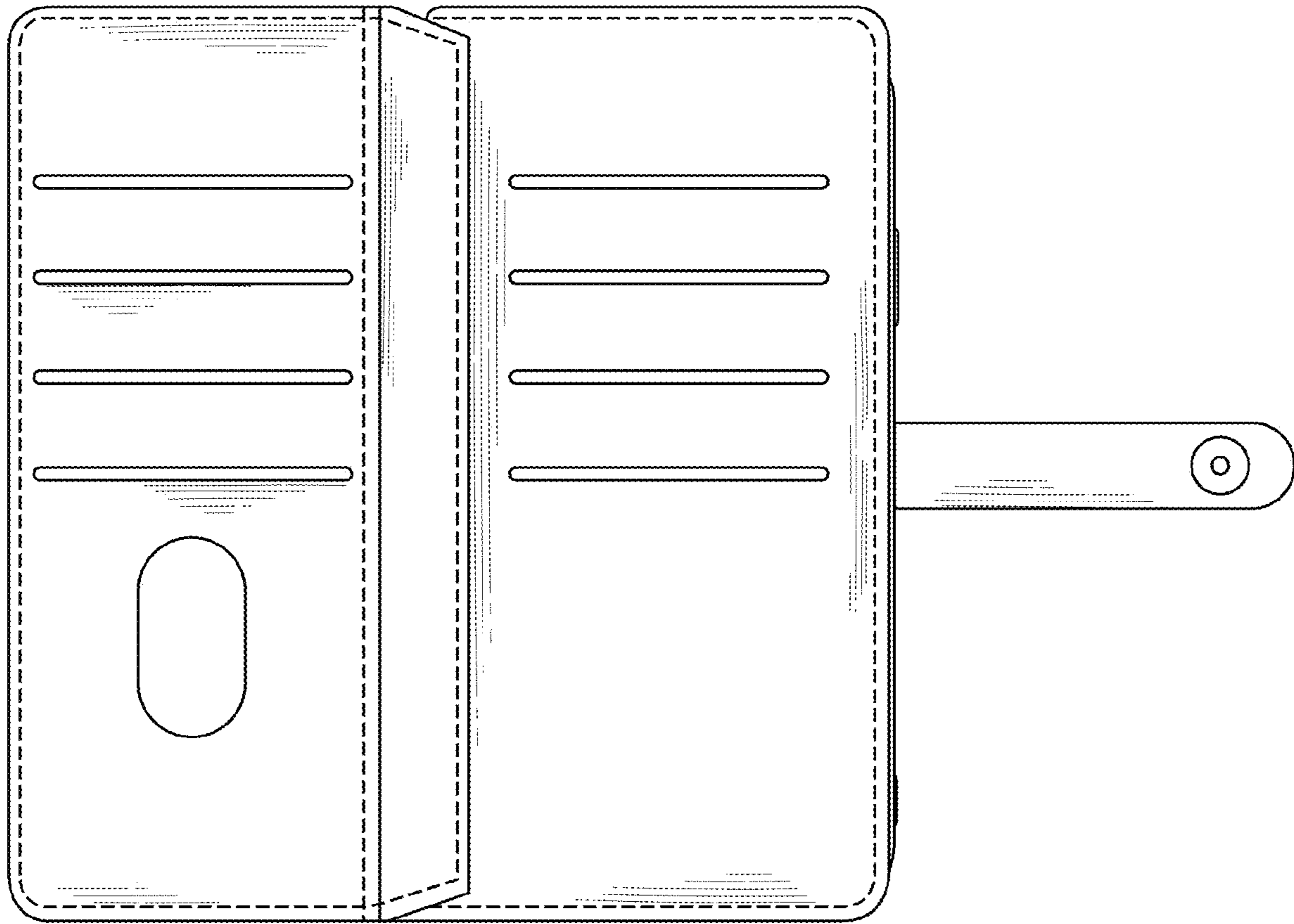


FIG. 9

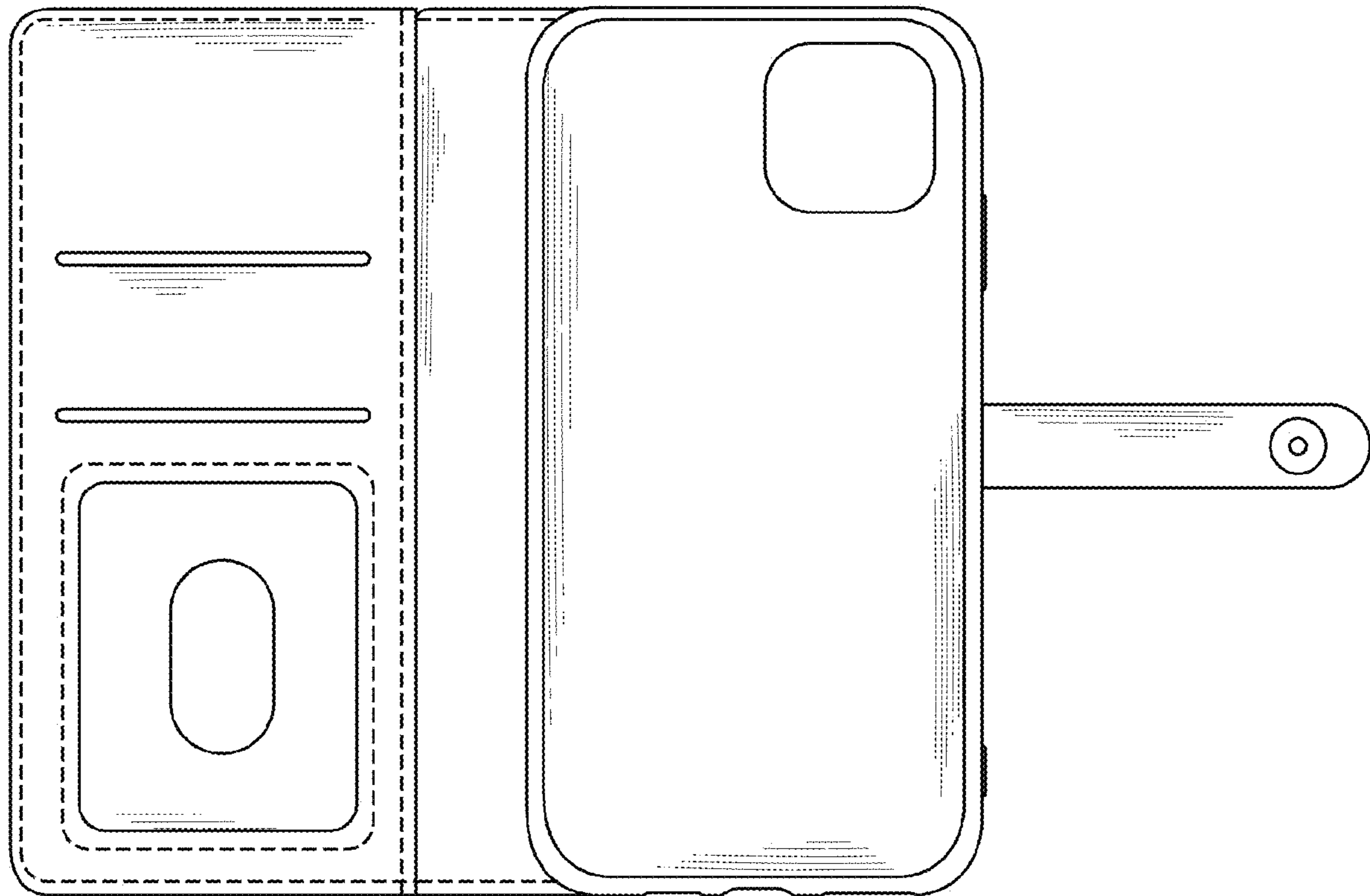


FIG. 10