



US00D895590S

(12) **United States Design Patent**
Moon et al.

(10) **Patent No.:** **US D895,590 S**

(45) **Date of Patent:** **** Sep. 8, 2020**

(54) **TERMINAL FOR NETWORKS**

(56) **References Cited**

(71) Applicant: **SAMSUNG ELECTRONICS CO., LTD.**, Suwon-si (KR)

U.S. PATENT DOCUMENTS

(72) Inventors: **Jihyun Moon**, Gwangmyeong-si (KR);
Kijin Kwon, Suwon-si (KR); **Kucheol Ahn**, Guri-si (KR)

D510,344 S	*	10/2005	Hsieh	D14/240
D541,792 S	*	5/2007	Liu	D14/240
D561,750 S	*	2/2008	Liu	D14/240
D638,425 S	*	5/2011	Ikeda	D14/240
D662,920 S	*	7/2012	Neu	D14/240
D707,666 S	*	6/2014	Ting	D14/240
D774,023 S	*	12/2016	Fariello	D14/230

(73) Assignee: **SAMSUNG ELECTRONICS CO., LTD.**, Gyeonggi-Do (KR)

* cited by examiner

(**) Term: **15 Years**

Primary Examiner — Bridget L Eland

(21) Appl. No.: **29/674,969**

(74) *Attorney, Agent, or Firm* — Cantor Colburn LLP

(22) Filed: **Dec. 27, 2018**

(57) **CLAIM**

The ornamental design for a terminal for networks, as shown and described.

(30) **Foreign Application Priority Data**

DESCRIPTION

Oct. 2, 2018 (KR) 30-2018-0045372

(51) **LOC (12) Cl.** **14-03**

(52) **U.S. Cl.**
USPC **D14/240**

(58) **Field of Classification Search**
USPC D14/240, 242, 357, 358, 155, 125, 126,
D14/137, 139, 243, 348, 349, 351, 354,
D14/355

CPC . H04L 12/66; H04L 63/0853; H04L 63/0272;
H04L 63/083; H04L 63/105; H05K 7/20;
H05K 7/20154

See application file for complete search history.

FIG. 1 is a front perspective view of a terminal for networks showing our new design;

FIG. 2 is a front view thereof;

FIG. 3 is a rear view thereof;

FIG. 4 is a left-side view thereof;

FIG. 5 is a right-side view thereof;

FIG. 6 is a top view thereof; and,

FIG. 7 is a bottom view thereof.

The broken lines illustrating portions of the terminal for networks form no part of the claimed design.

1 Claim, 5 Drawing Sheets

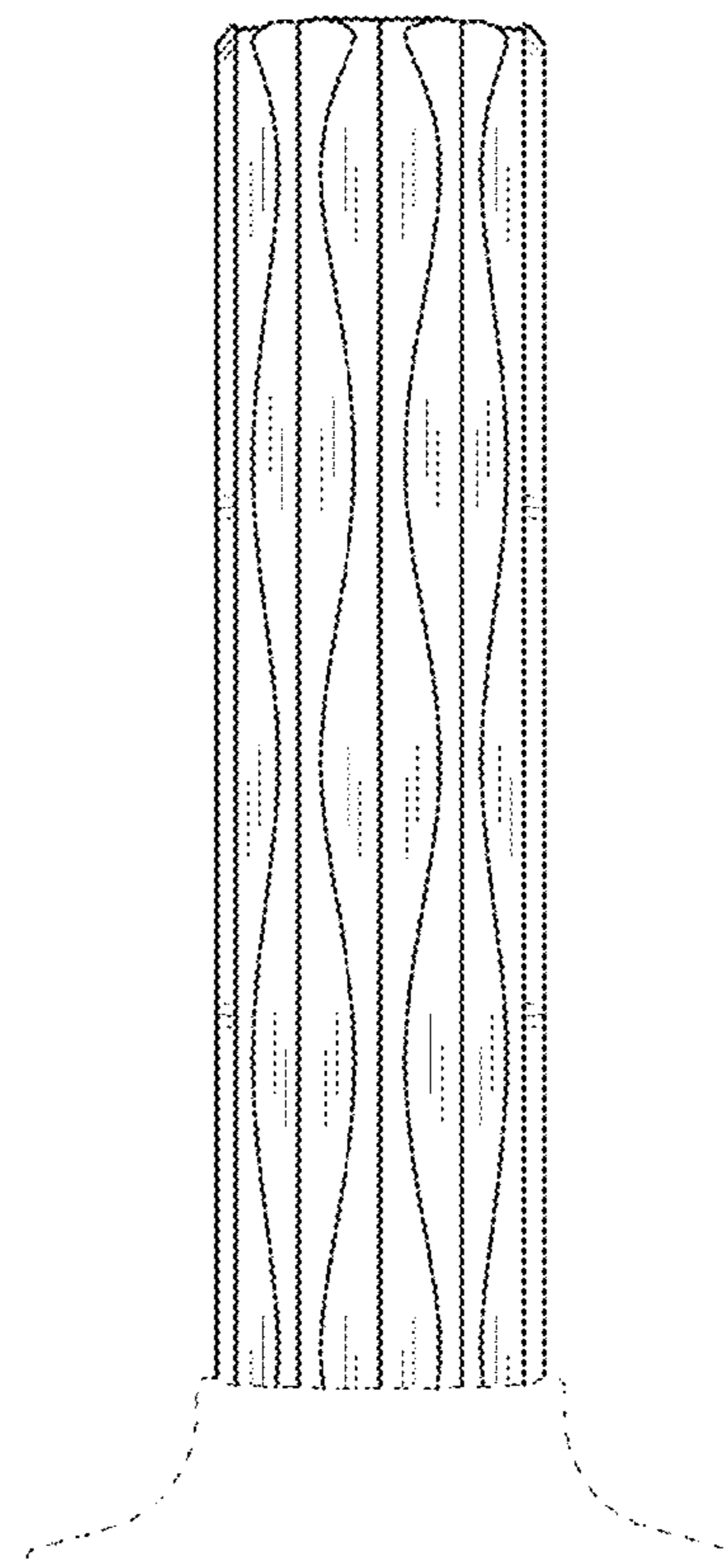
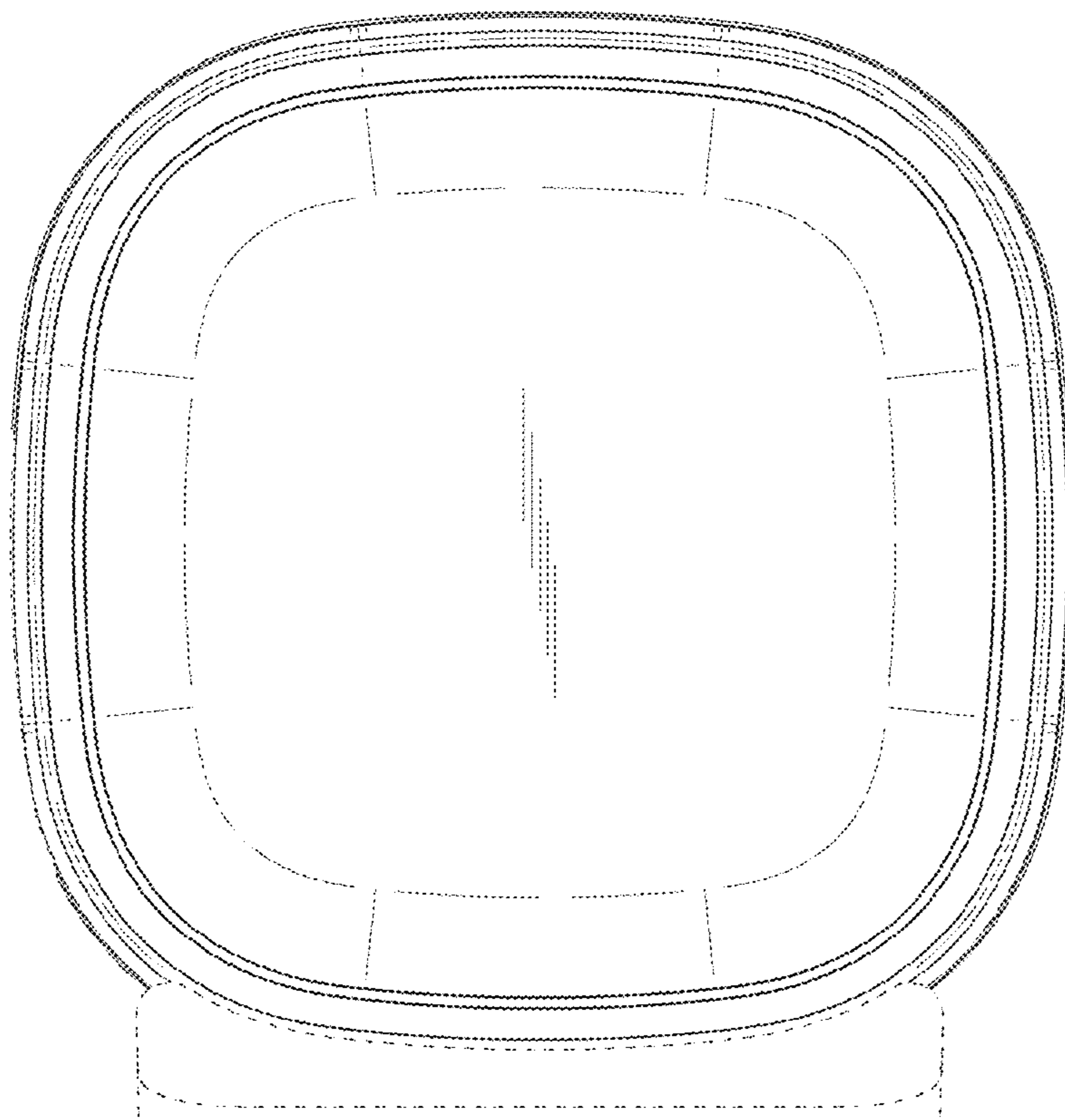


FIG.1

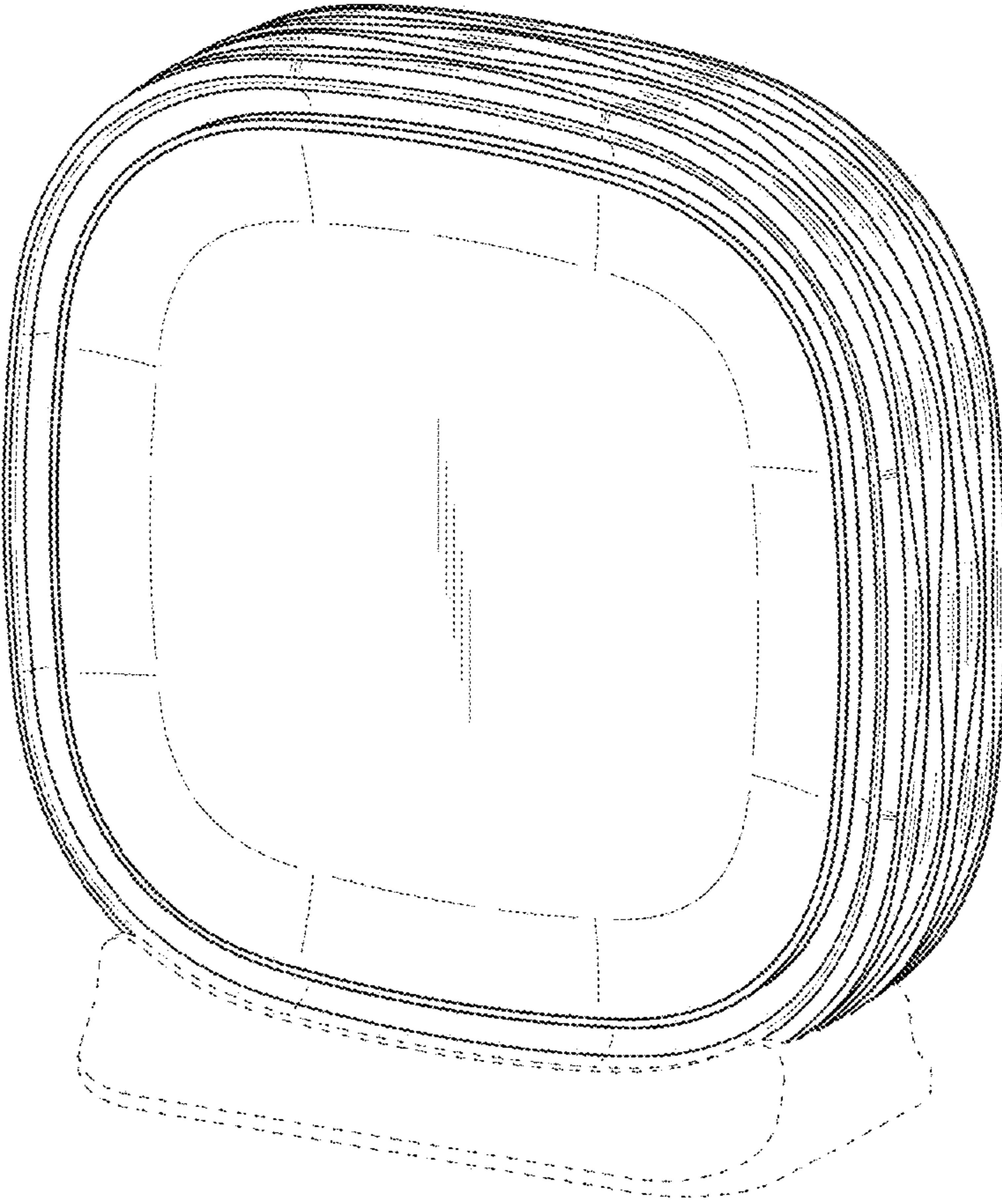


FIG.2

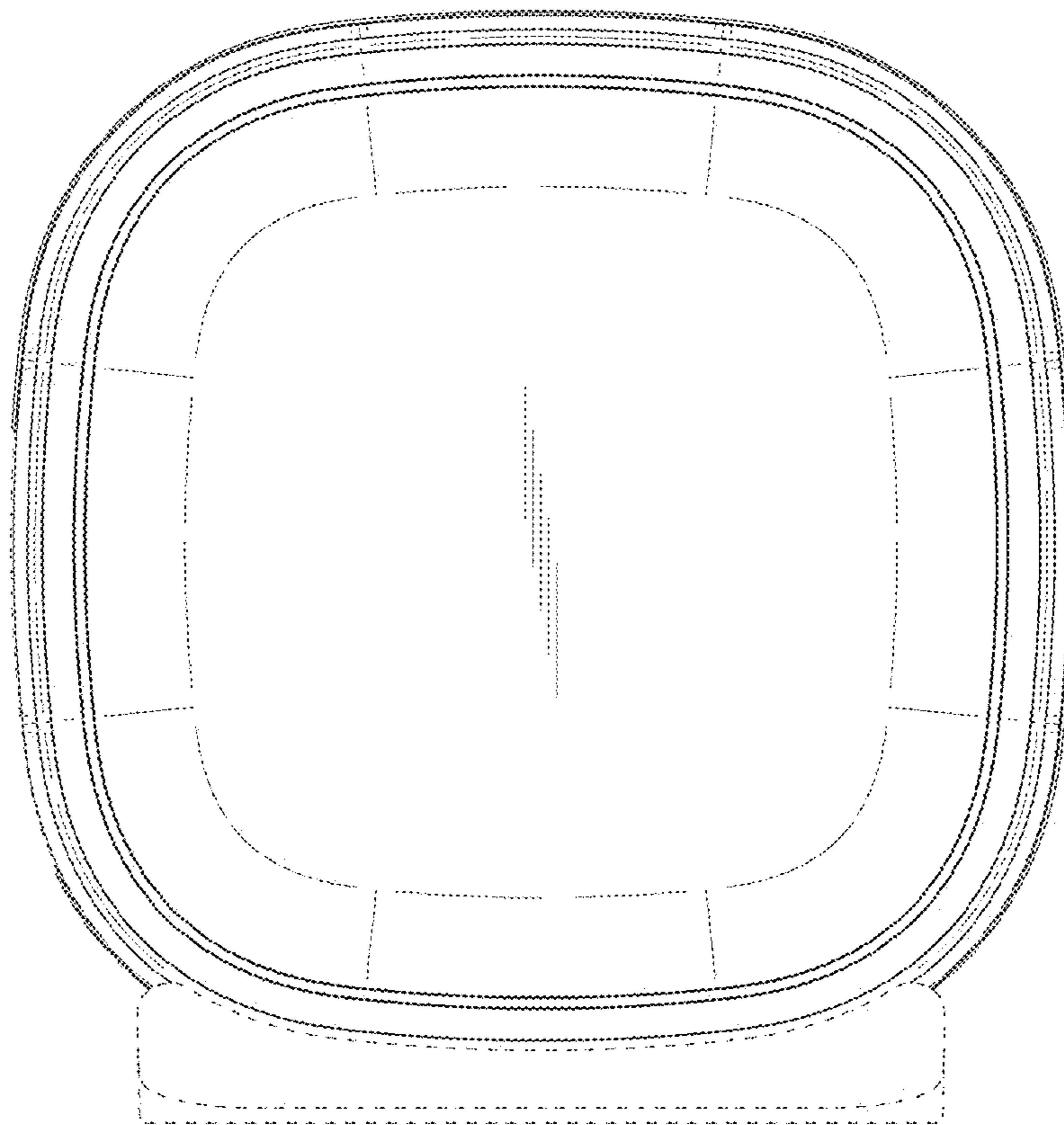


FIG.3

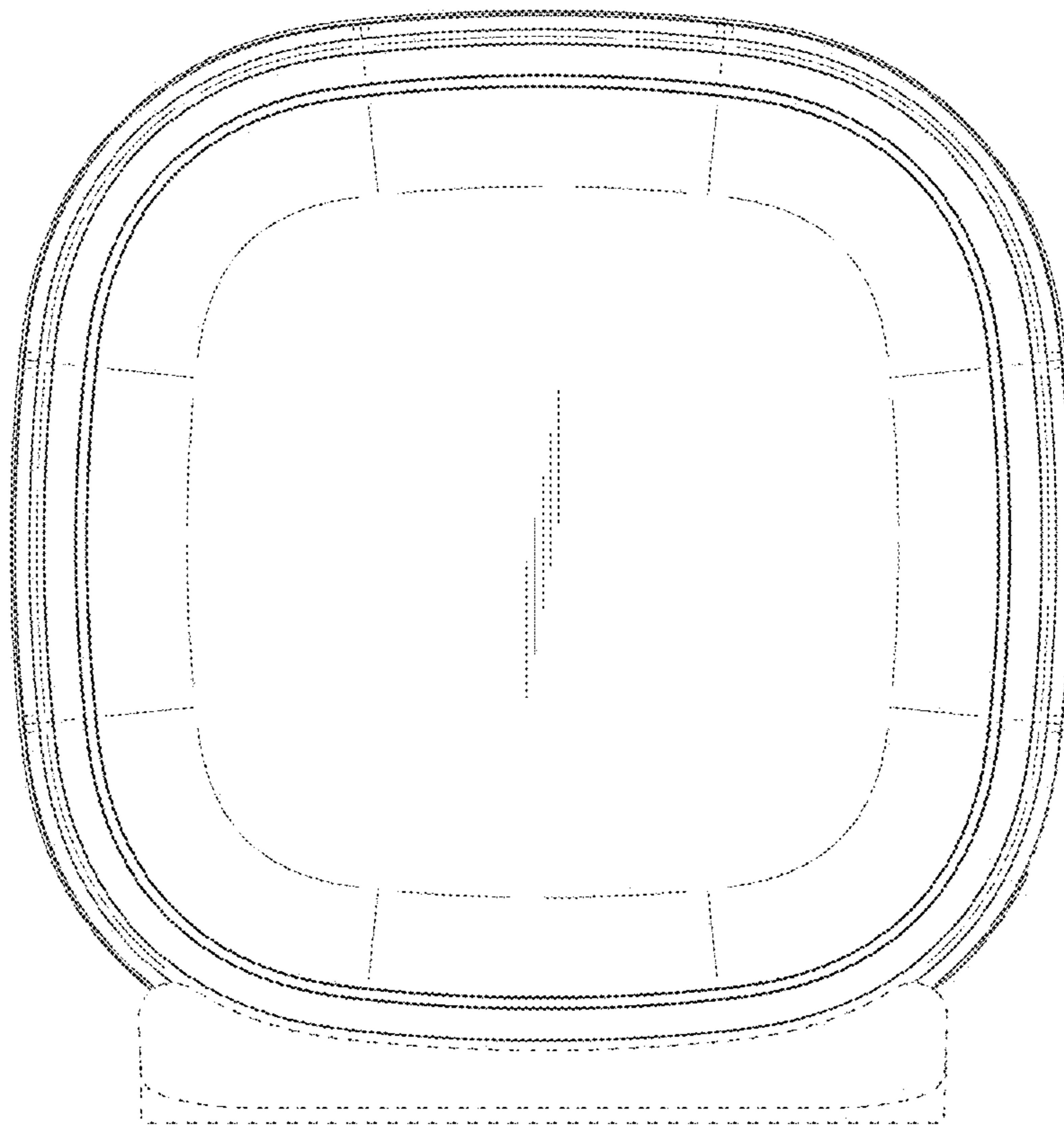


FIG.4

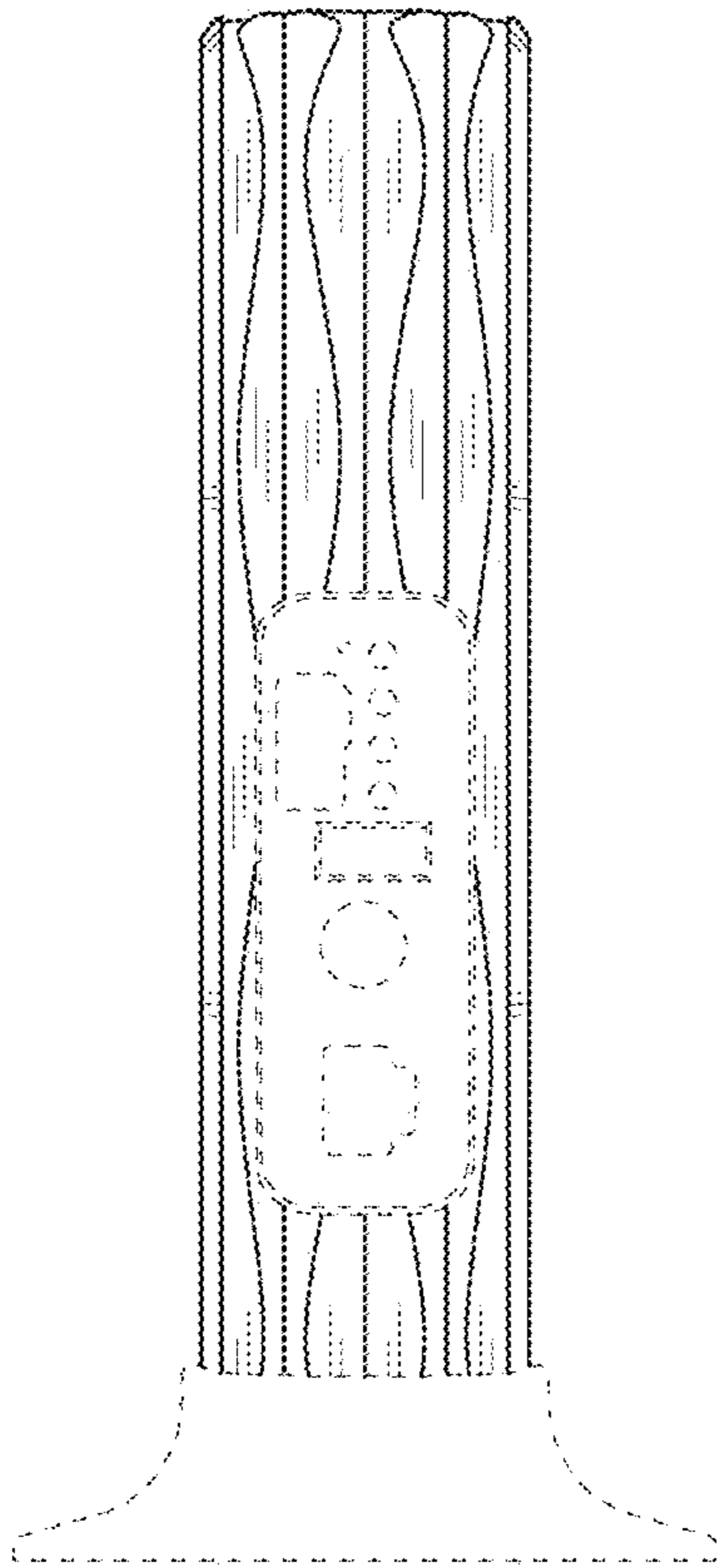


FIG.5

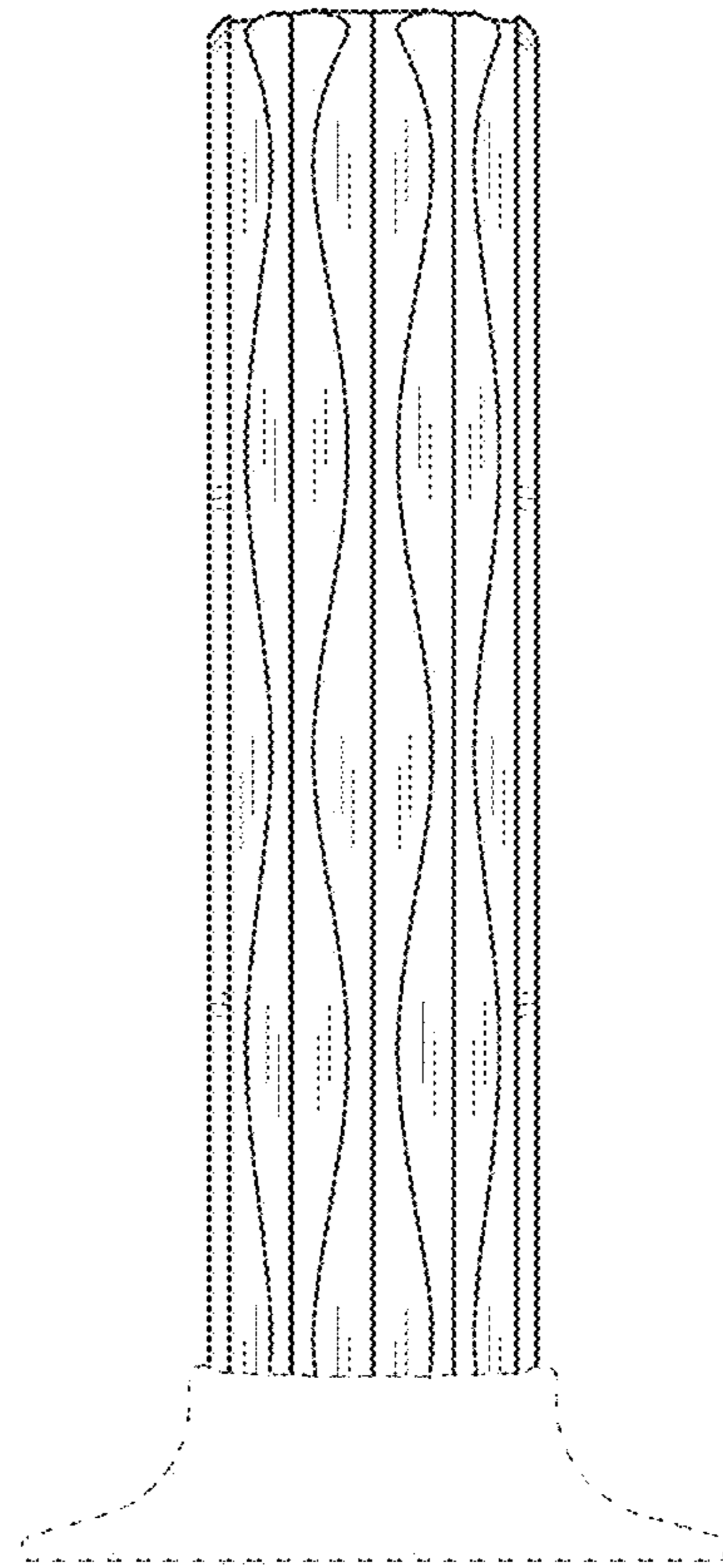


FIG.6

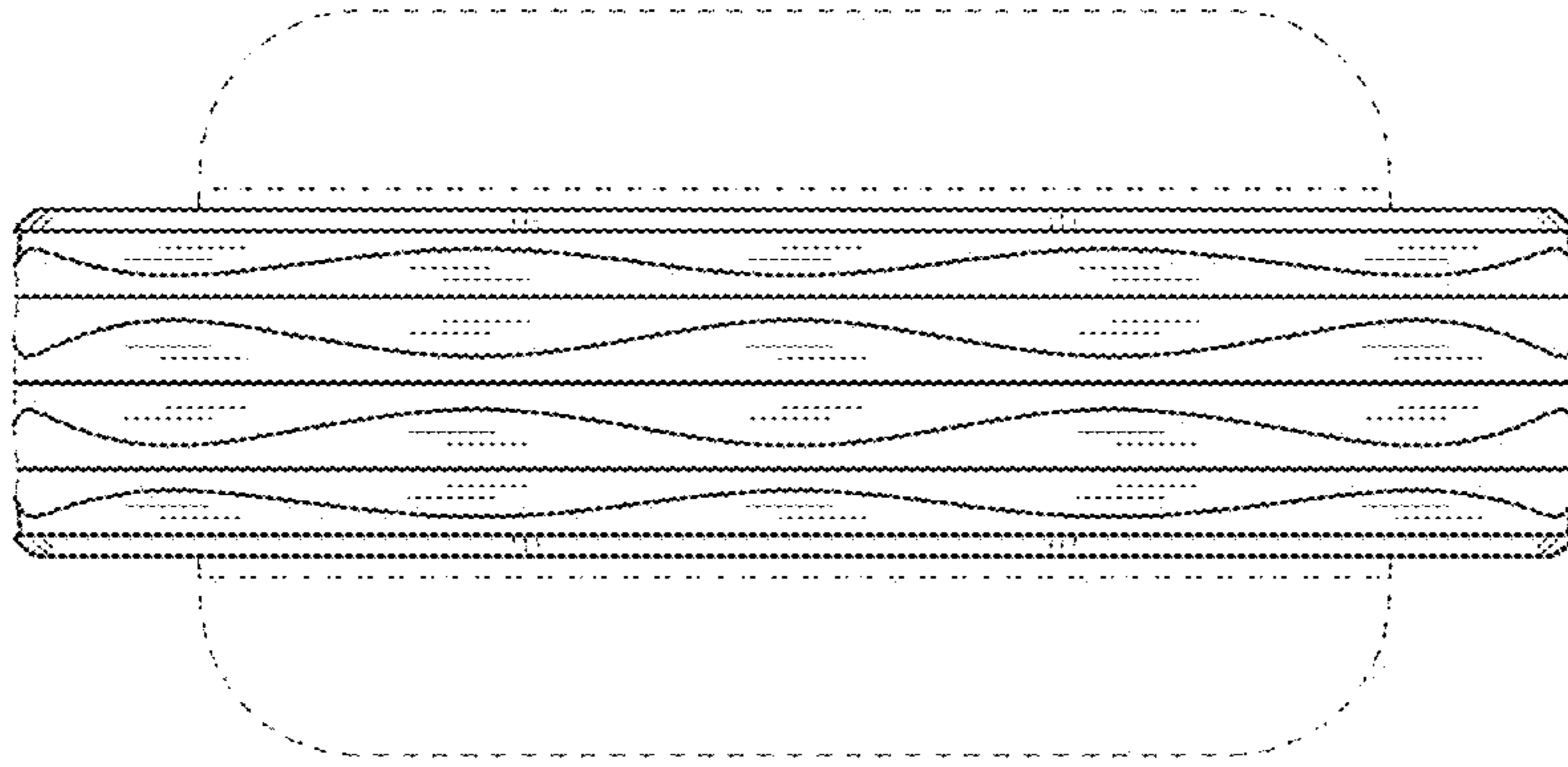


FIG.7

