



US00D895589S

(12) **United States Design Patent**
Diehl

(10) **Patent No.:** **US D895,589 S**

(45) **Date of Patent:** **** Sep. 8, 2020**

(54) **COMMUNICATION EQUIPMENT**
(71) Applicant: **Energybox Ltd., Shatin (HK)**
(72) Inventor: **Holger Diehl, Frankfurt (DE)**
(73) Assignee: **ENERGYBOX LTD., Shatin (HK)**
(**) Term: **15 Years**

D694,740 S * 12/2013 Apostolakis D14/240
D704,177 S * 5/2014 Chun D14/240
D704,178 S * 5/2014 Kwak D14/240
D725,088 S * 3/2015 Kwak D14/240
D733,107 S * 6/2015 Porter D14/240
D743,954 S * 11/2015 Chuang D13/168
D751,538 S * 3/2016 Koehler D14/240
D766,844 S * 9/2016 Turksu D10/104.1
D806,072 S * 12/2017 Gummalla D14/358
D806,709 S * 1/2018 Gummalla D14/358
D812,577 S * 3/2018 Turksu D13/168

(21) Appl. No.: **29/672,606**

* cited by examiner

(22) Filed: **Dec. 6, 2018**

Primary Examiner — Bridget L Eland

(30) **Foreign Application Priority Data**

(74) *Attorney, Agent, or Firm* — Slater Matsil, LLP

Jun. 13, 2018 (EM) 005309598-0001
Jun. 13, 2018 (EM) 005309598-0002
Jun. 13, 2018 (EM) 005309598-0003
Jun. 13, 2018 (EM) 055309598-0004

(57) **CLAIM**

(51) **LOC (12) Cl.** **14-03**

The ornamental design for a communication equipment, as shown and described.

(52) **U.S. Cl.**
USPC **D14/240**

(58) **Field of Classification Search**
USPC D14/240, 242, 357, 358, 155, 125, 126,
D14/137, 139, 243, 348, 349, 351, 354,
D14/355, 435.1, 204, 214, 215, 216
CPC . H04L 12/66; H04L 63/0853; H04L 63/0272;
H04L 63/083; H04L 63/105; H05K 7/20;
H05K 7/20154
See application file for complete search history.

DESCRIPTION

FIG. 1 is a rear perspective view of a communication equipment showing my new design;
FIG. 2 is a front view thereof;
FIG. 3 is a rear view thereof;
FIG. 4 is a bottom view thereof;
FIG. 5 is a top view thereof;
FIG. 6 is a right side view thereof; and,
FIG. 7 is a left side view thereof.

(56) **References Cited**

U.S. PATENT DOCUMENTS

1 Claim, 7 Drawing Sheets

D292,283 S * 10/1987 Matsuda D14/212
D568,304 S * 5/2008 Park D14/240

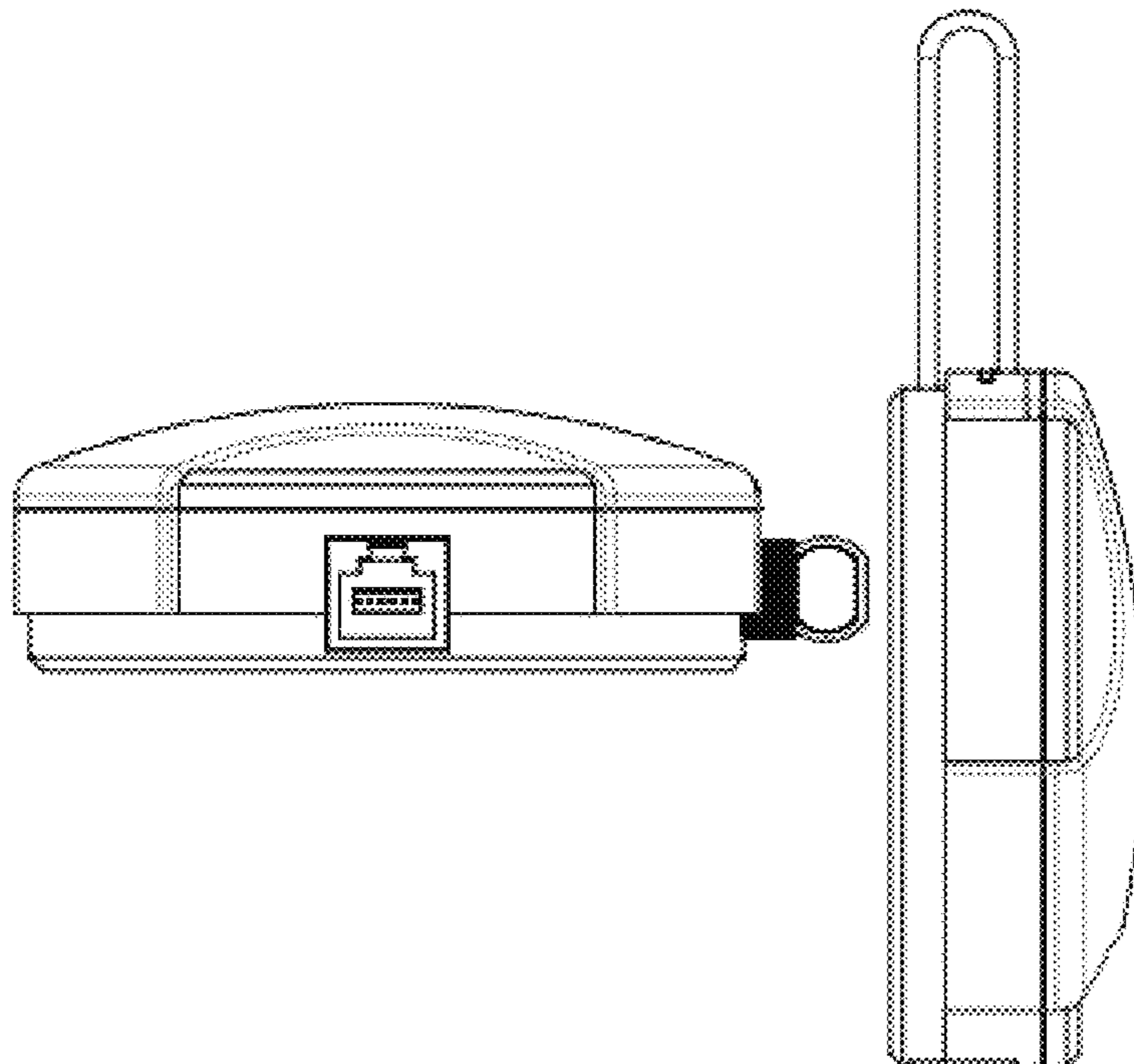


Fig. 1

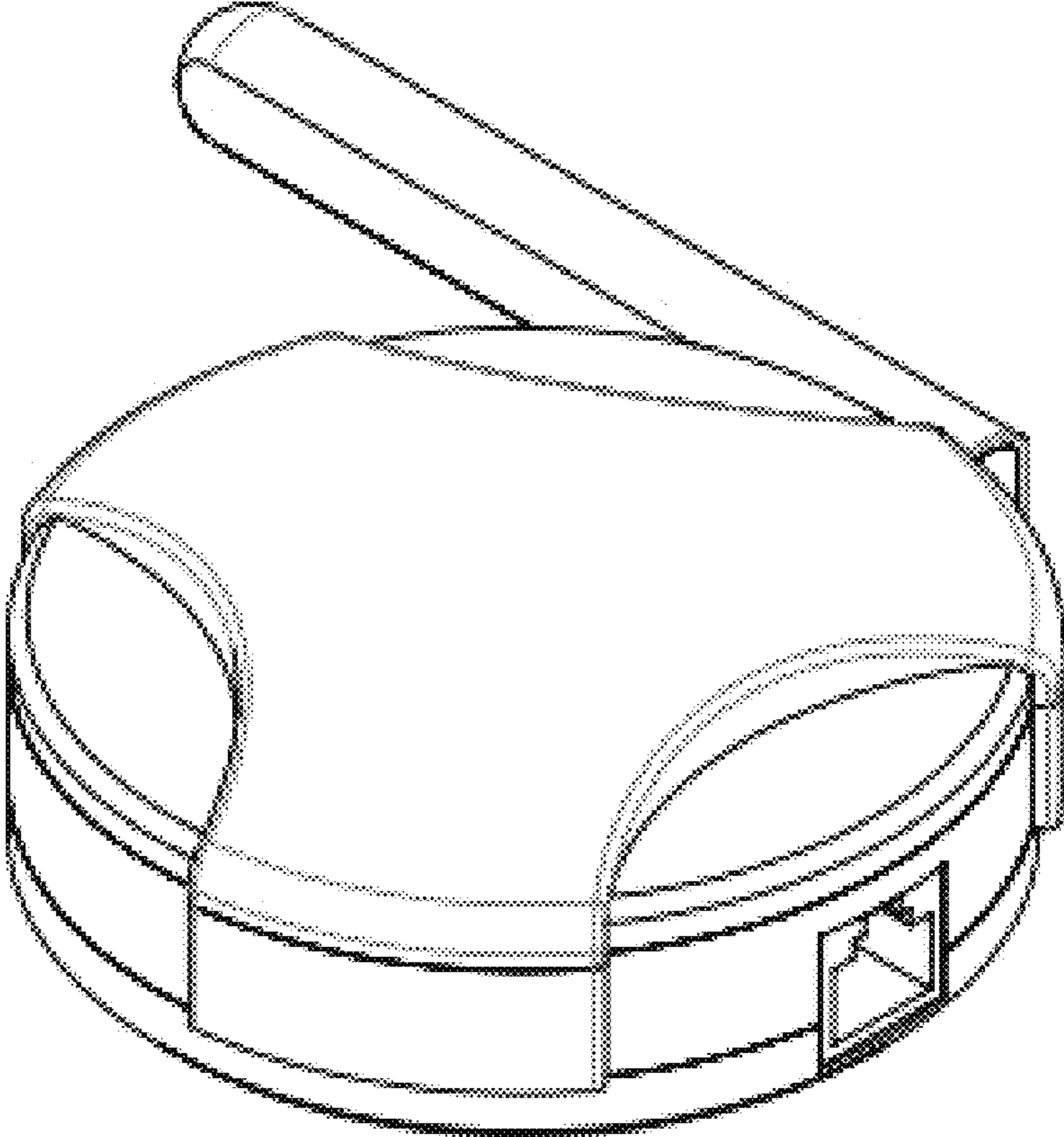


Fig. 2

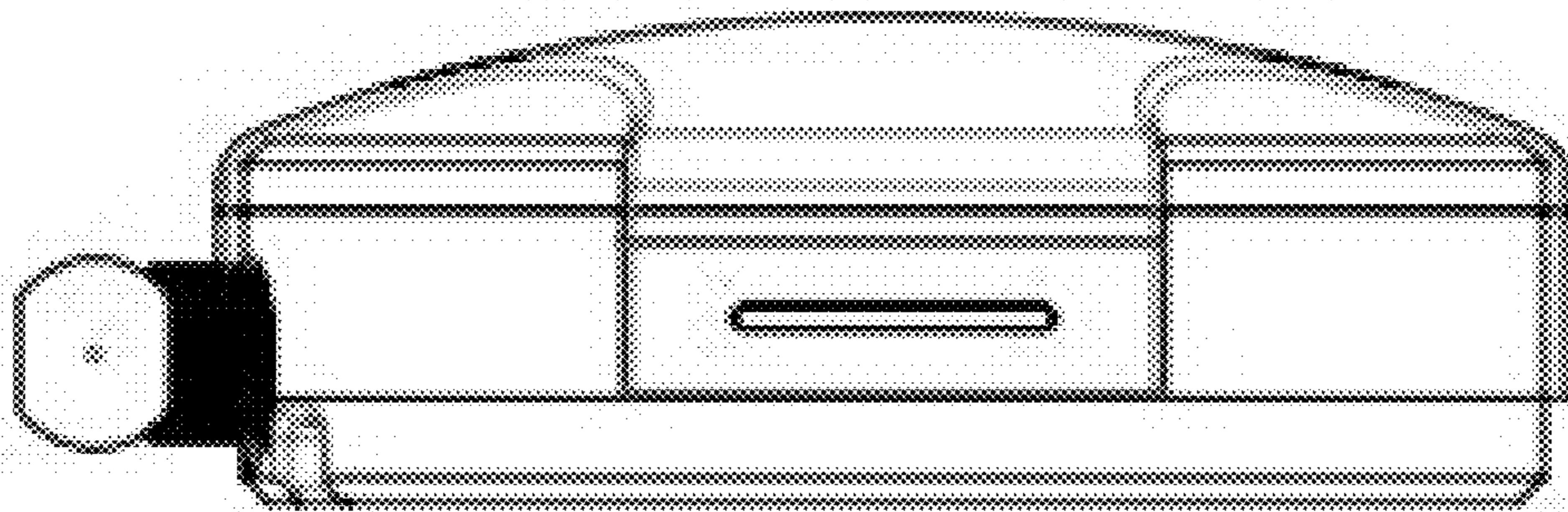


Fig. 3

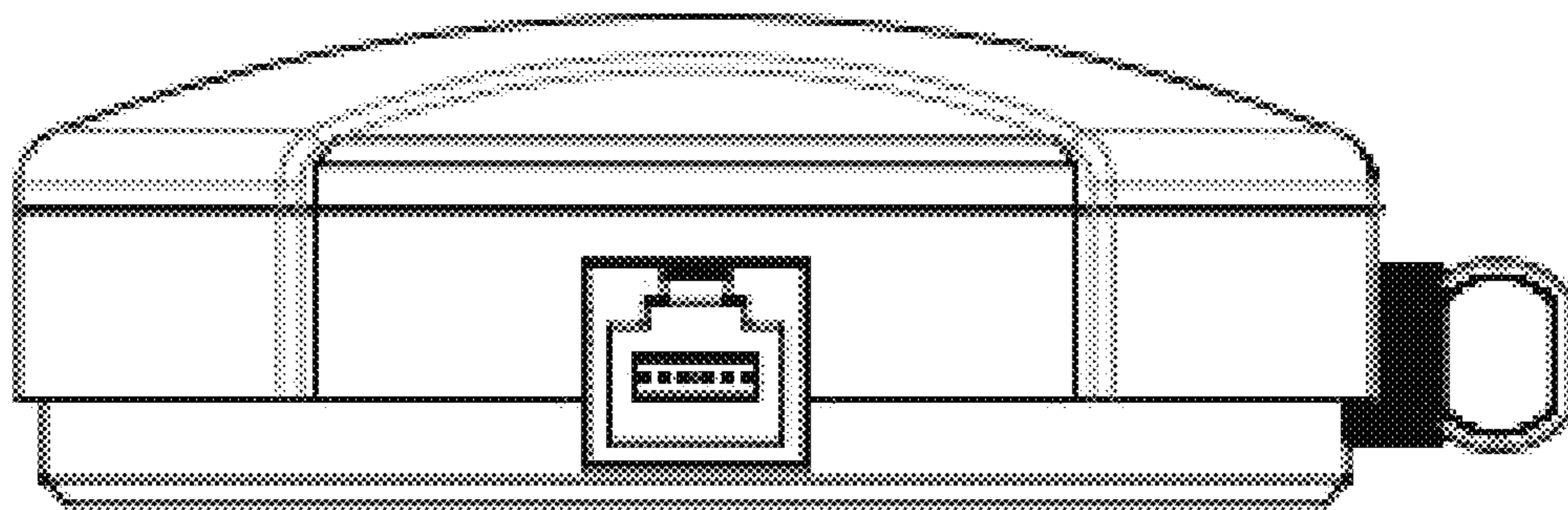


Fig. 4

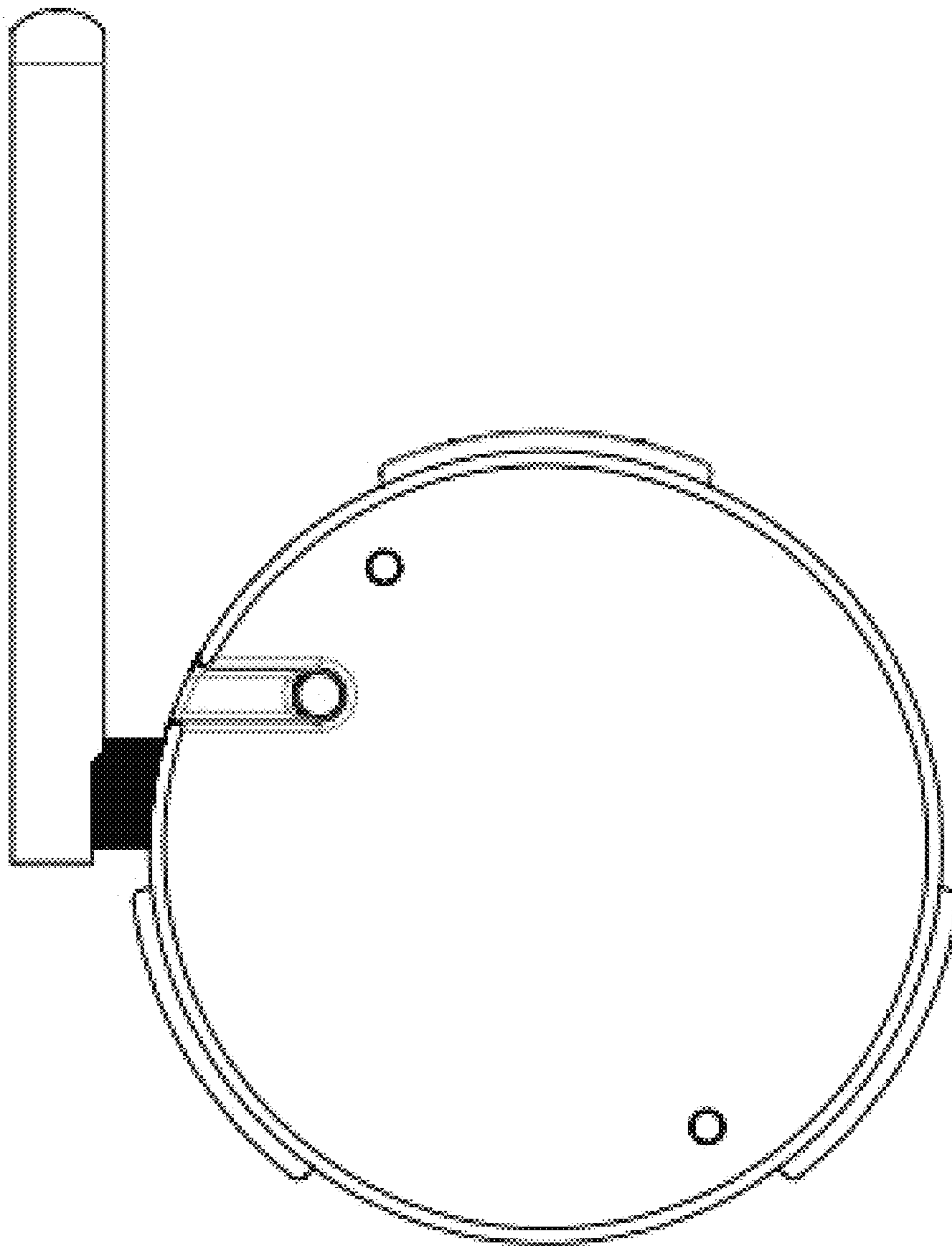


Fig. 5

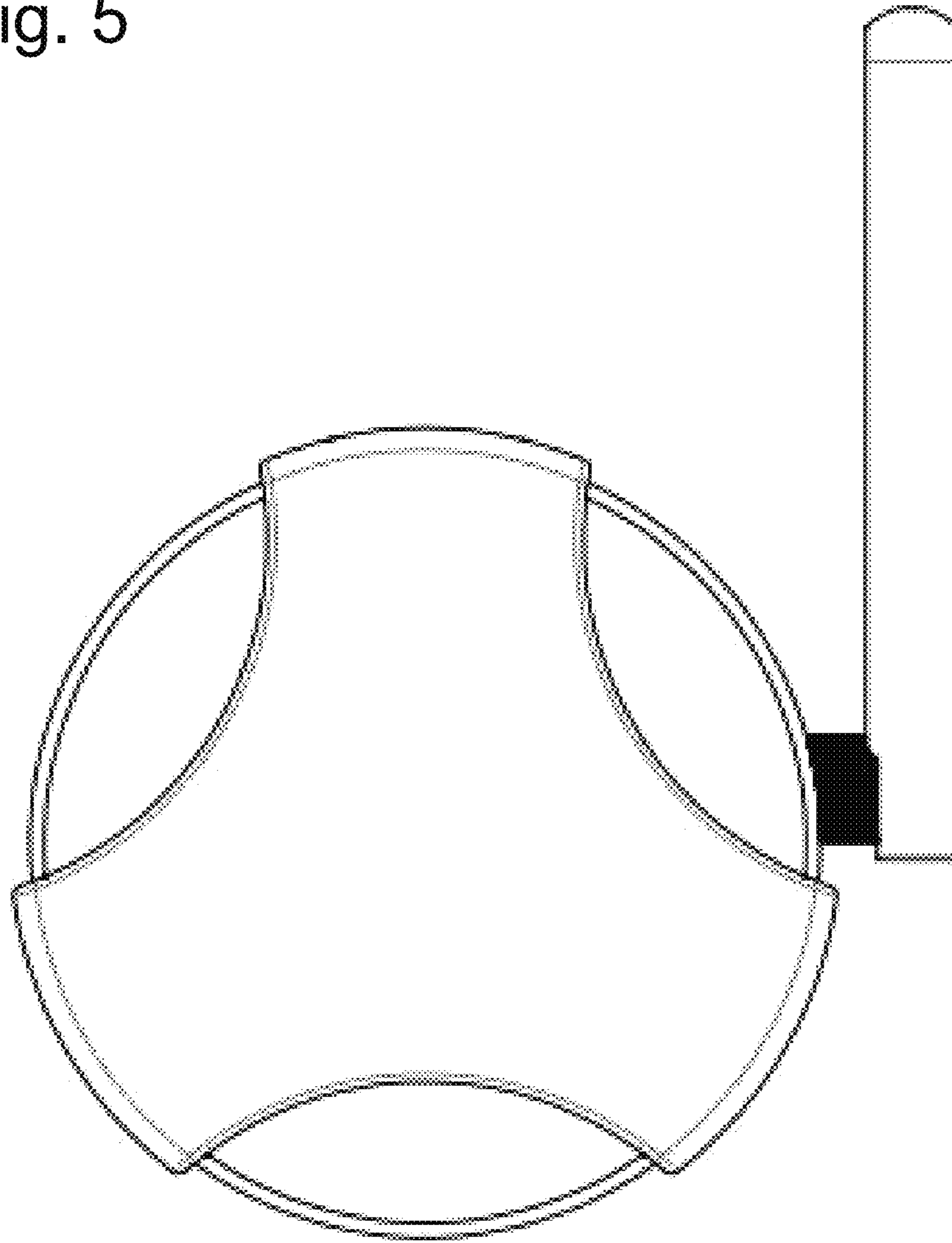


Fig. 6

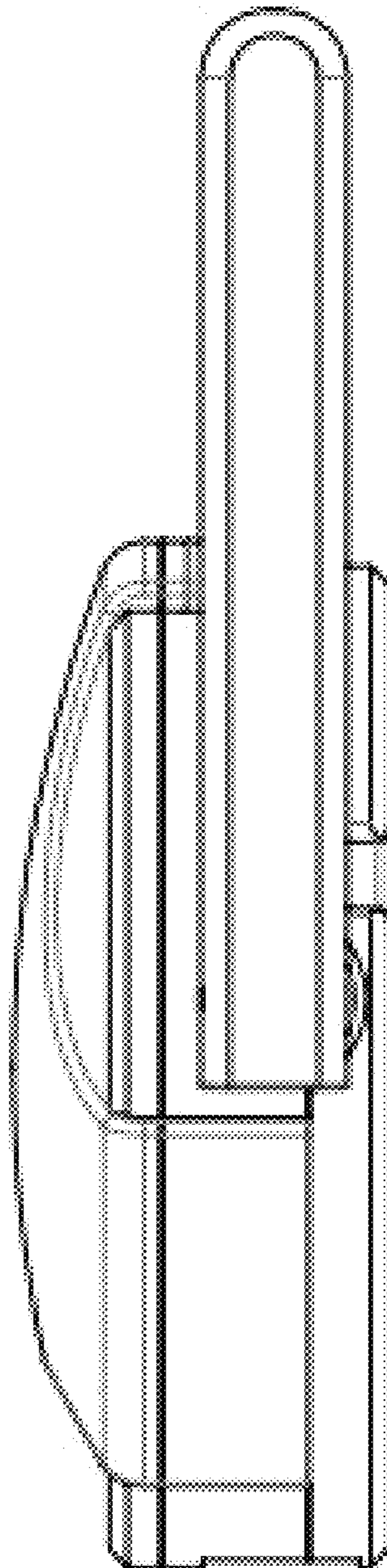


Fig. 7

