

US00D895588S

(12) **United States Design Patent** (10) **Patent No.:** **US D895,588 S**
Blouch et al. (45) **Date of Patent:** **** Sep. 8, 2020**

(54) **ANTENNA BASE ASSEMBLY**

2015/0264823 A1* 9/2015 Shirley F16M 13/02
248/287.1

(71) Applicants: **Susan Blouch**, Oakwood, TX (US);
Roger Blouch, Oakwood, TX (US)

* cited by examiner

(72) Inventors: **Susan Blouch**, Oakwood, TX (US);
Roger Blouch, Oakwood, TX (US)

Primary Examiner — Keli L Hill

Assistant Examiner — Harold E Blackwell, II

(74) *Attorney, Agent, or Firm* — Law Office of Jeff
Williams PLLC; J. Oliver Williams

(**) Term: **15 Years**

(57) **CLAIM**

(21) Appl. No.: **29/717,078**

The ornamental design for an antenna base assembly, as
shown.

(22) Filed: **Dec. 13, 2019**

DESCRIPTION

(51) **LOC (12) Cl.** **14-03**

(52) **U.S. Cl.**
USPC **D14/238**

(58) **Field of Classification Search**
USPC D14/238, 238.1, 230; D8/380, 349, 381,
D8/373, 354, 363, 355
CPC .. H01Q 3/44; H01Q 1/02; H01Q 1/28; H01Q
1/42; H01Q 1/243; H01Q 1/366
See application file for complete search history.

FIG. 1 is a front perspective view of an antenna base
assembly according to the present application.

FIG. 2 is a front view of the antenna base assembly of FIG.
1.

FIG. 3 is a rear view of the antenna base assembly of FIG.
1.

FIG. 4 is a right view of the antenna base assembly of FIG.
1.

FIG. 5 is a left view of the antenna base assembly of FIG.
1.

FIG. 6 is a top view of the antenna base assembly of FIG.
1.

FIG. 7 is a bottom view of the antenna base assembly of FIG.
1.

FIG. 8 is a lower front perspective view of the antenna base
assembly of FIG. 1; and,

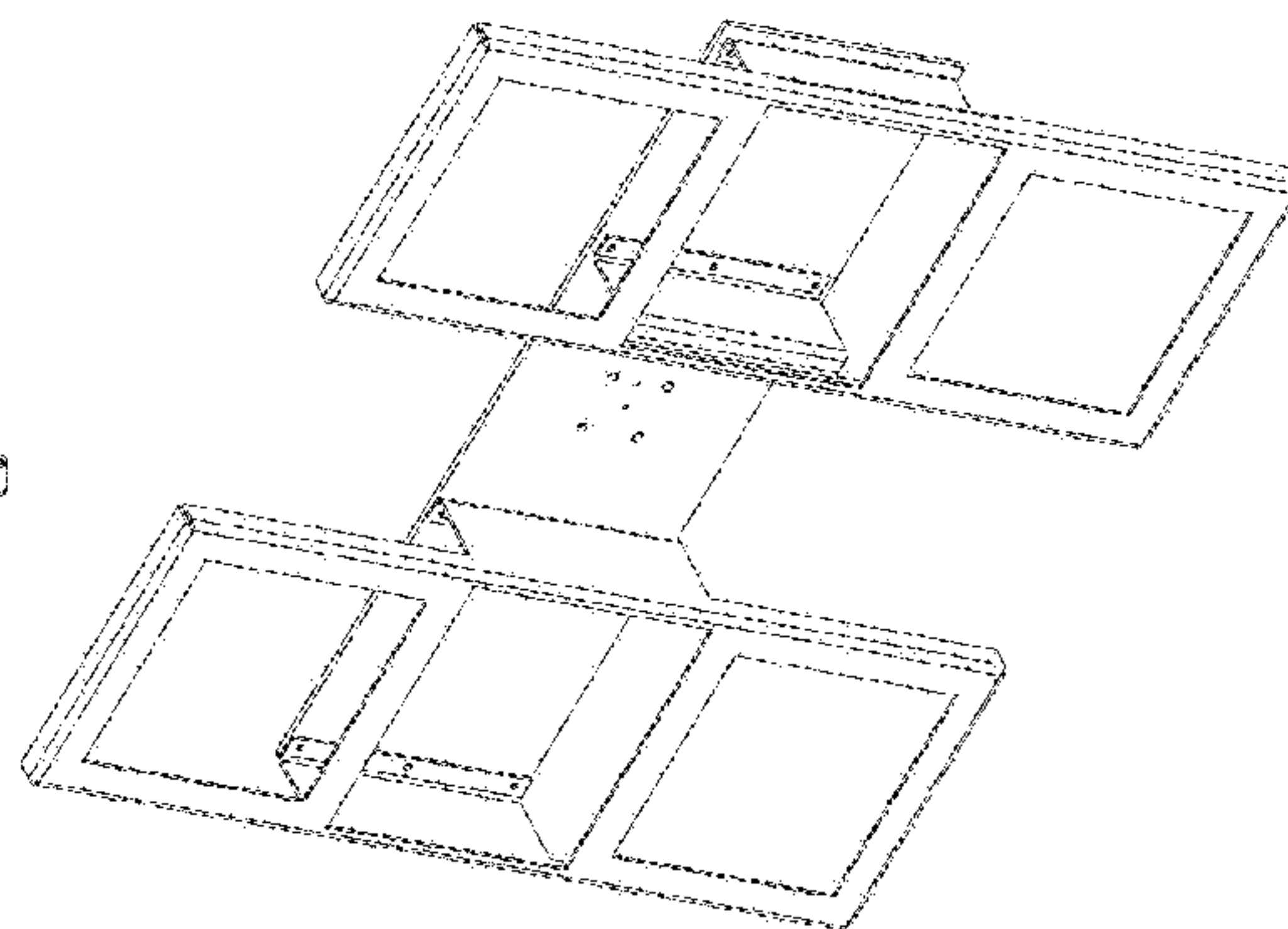
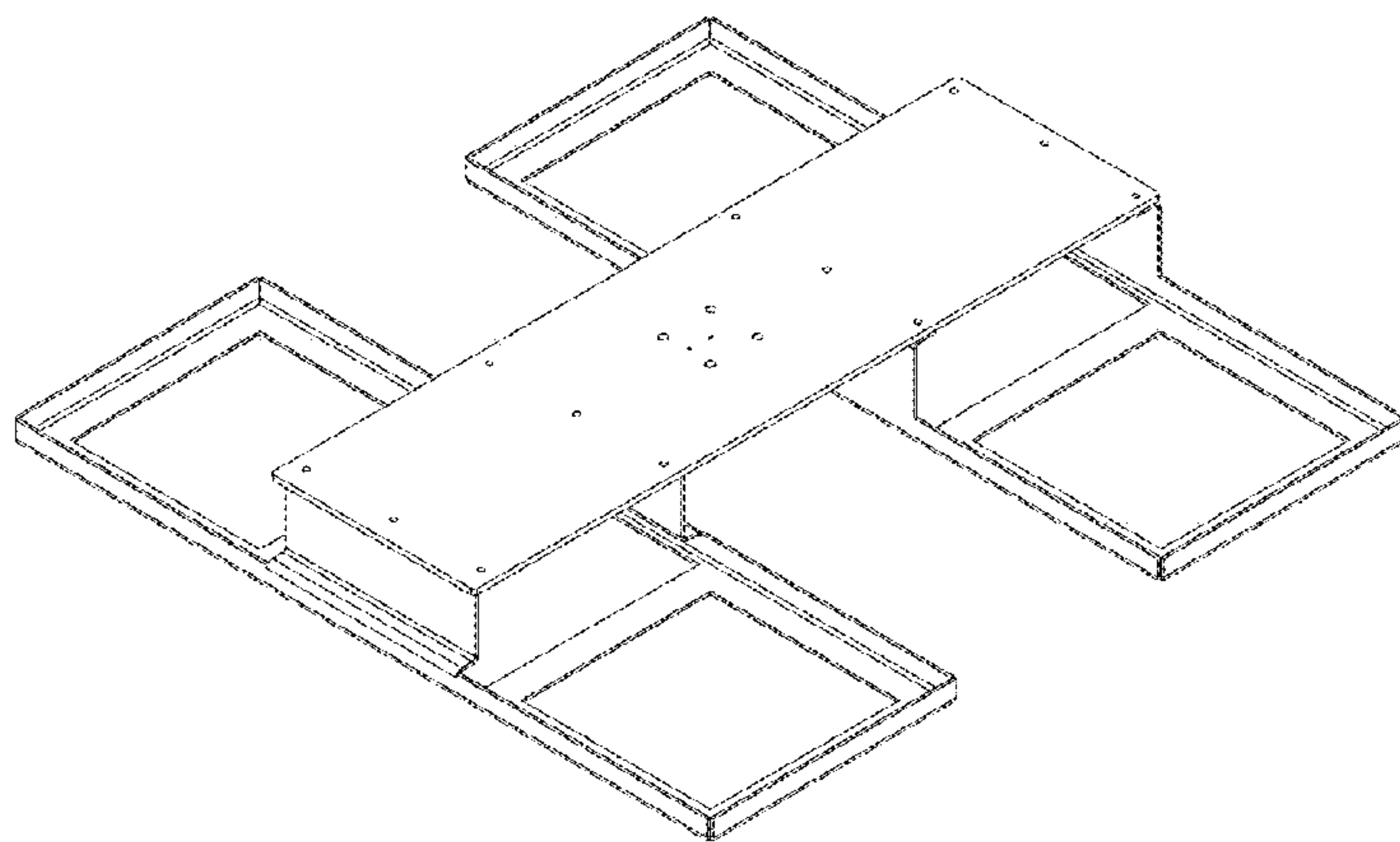
FIG. 9 is a lower rear perspective view of the antenna base
assembly of FIG. 1.

(56) **References Cited**

U.S. PATENT DOCUMENTS

7,268,743	B2 *	9/2007	Lin	H01Q 1/12 343/880
D573,589	S *	7/2008	Montgomery	D14/230
D588,586	S *	3/2009	Montgomery	D14/230
8,215,604	B1 *	7/2012	Keicher	H01Q 1/12 248/534
D767,973	S *	10/2016	DeDios-Shirley	D8/349
D781,824	S *	3/2017	Mottert	D14/238
D849,507	S *	5/2019	DeDios-Shirley	D8/349

1 Claim, 7 Drawing Sheets



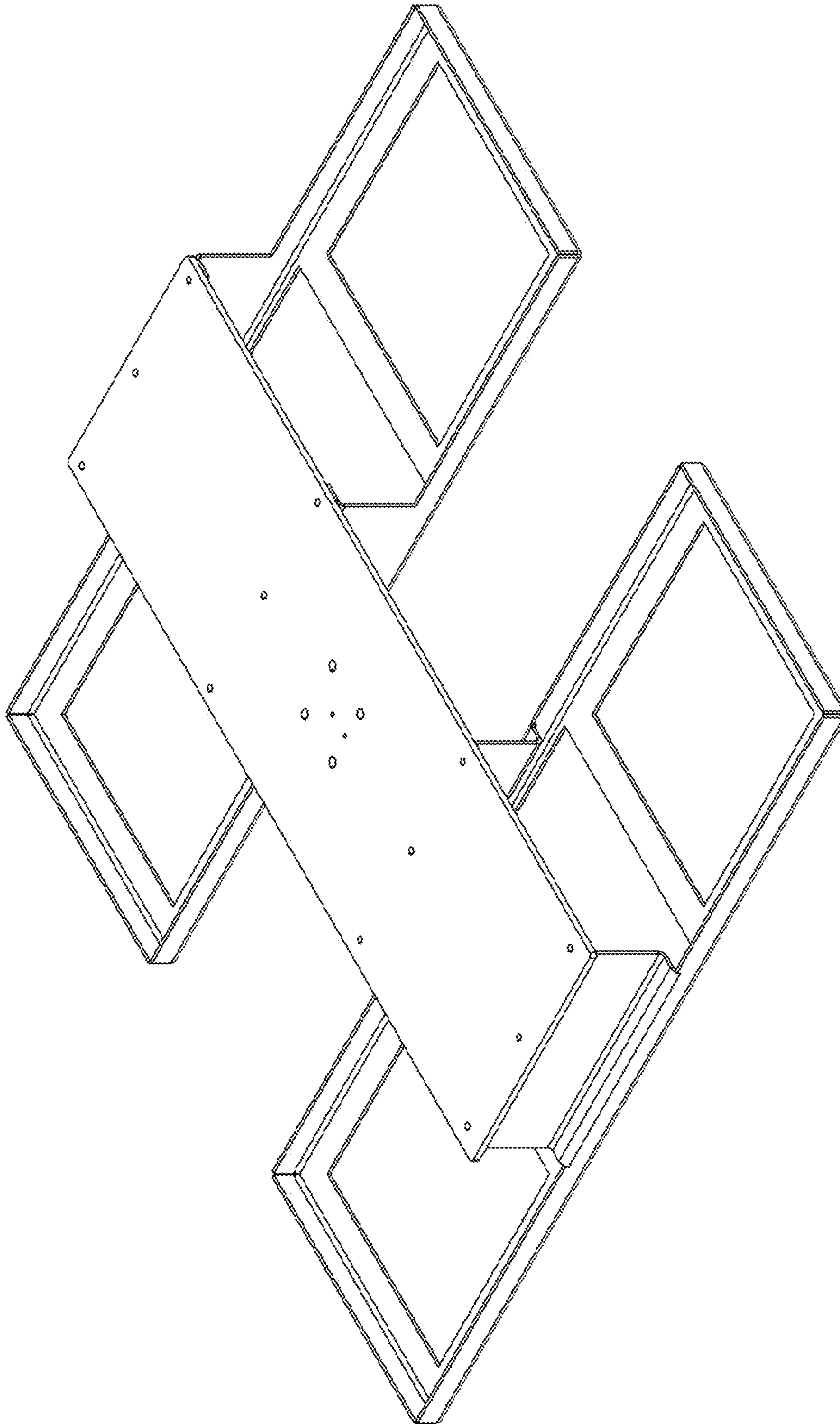


FIG. 1

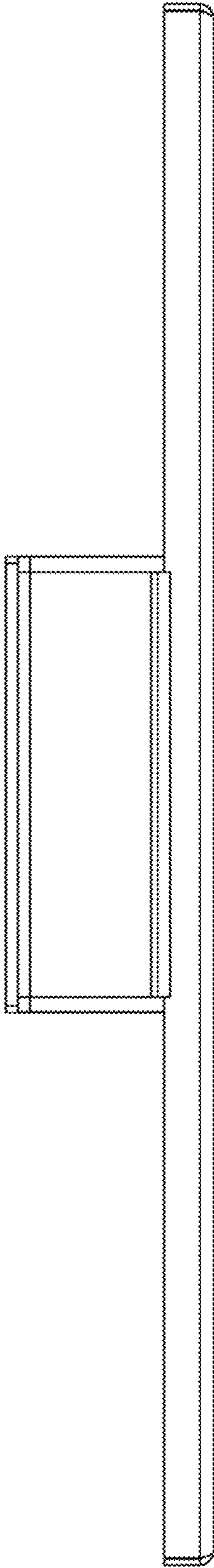


FIG. 2

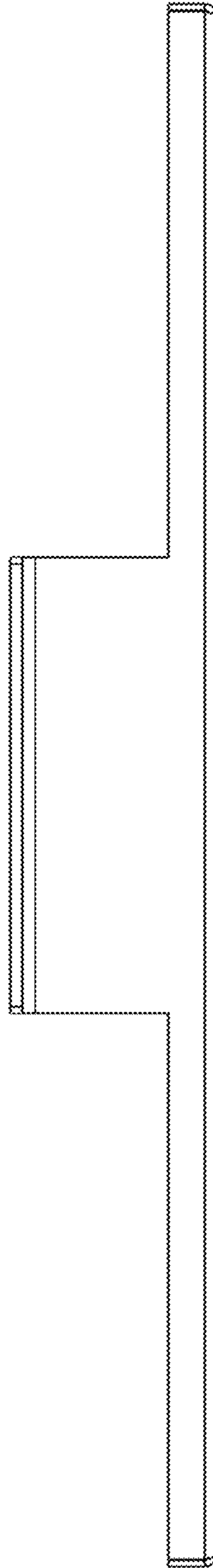


FIG. 3

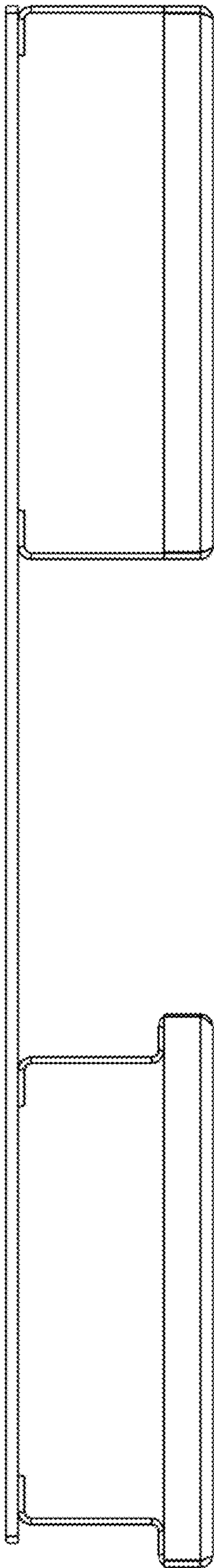


FIG. 4



FIG. 5

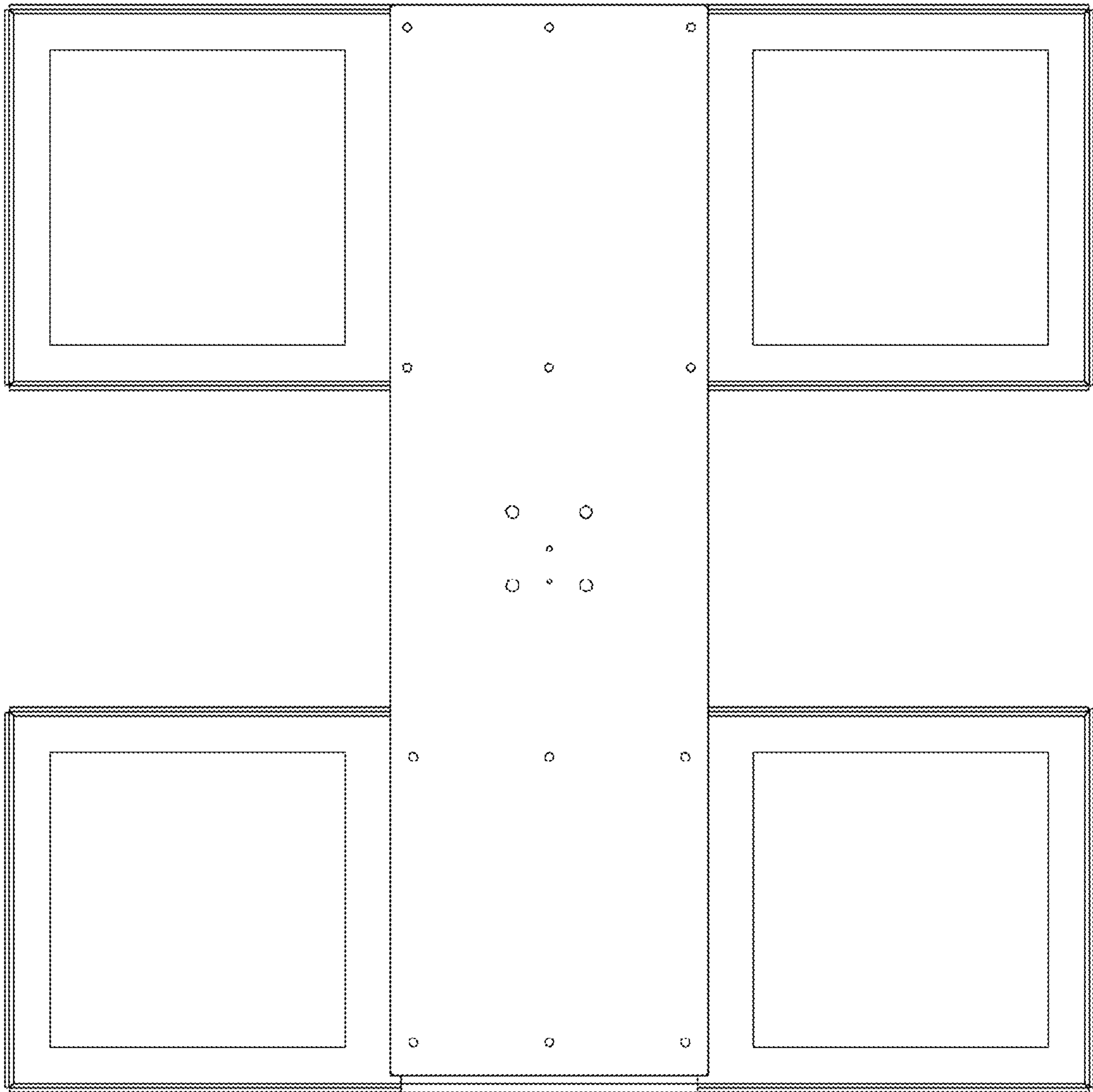


FIG. 6

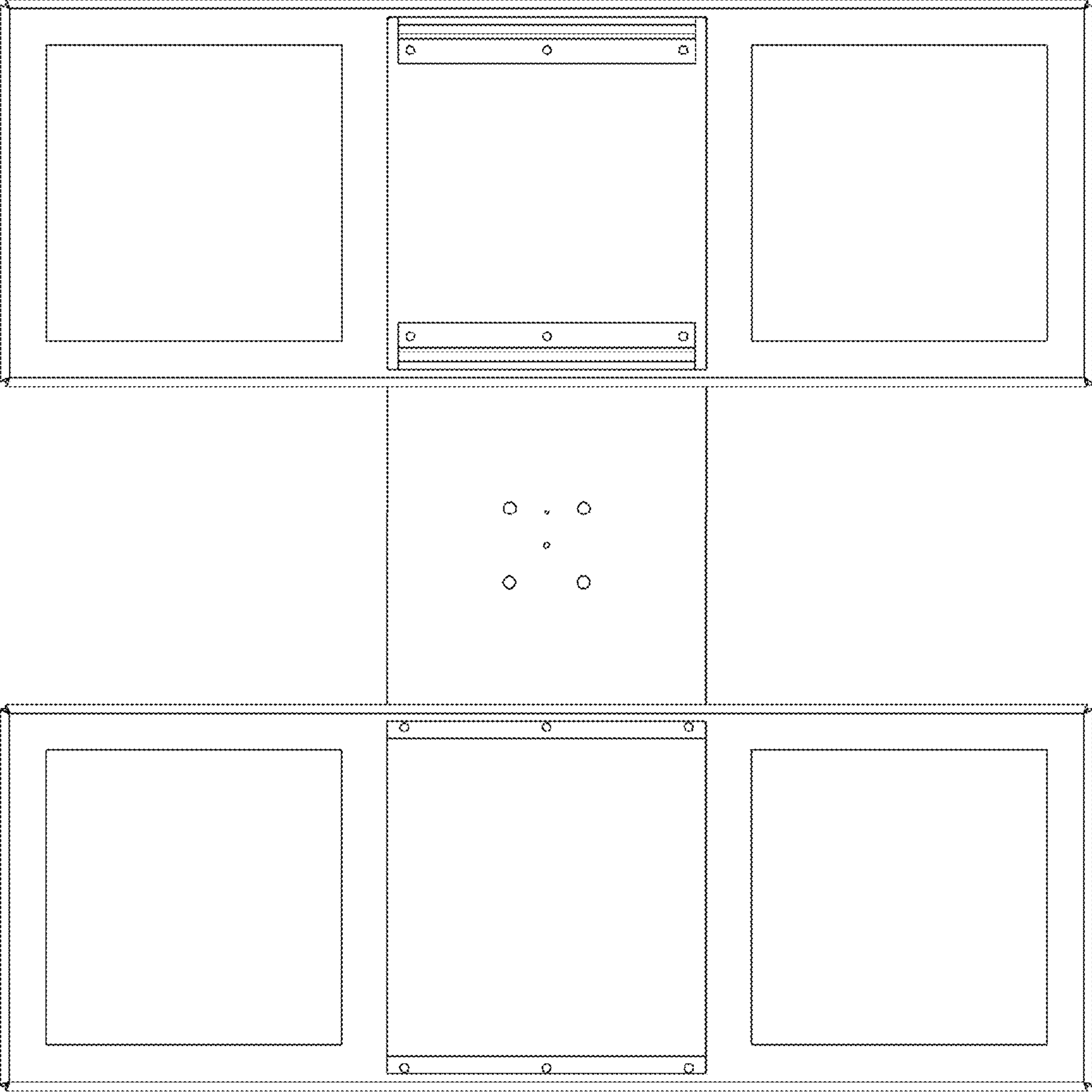


FIG. 7

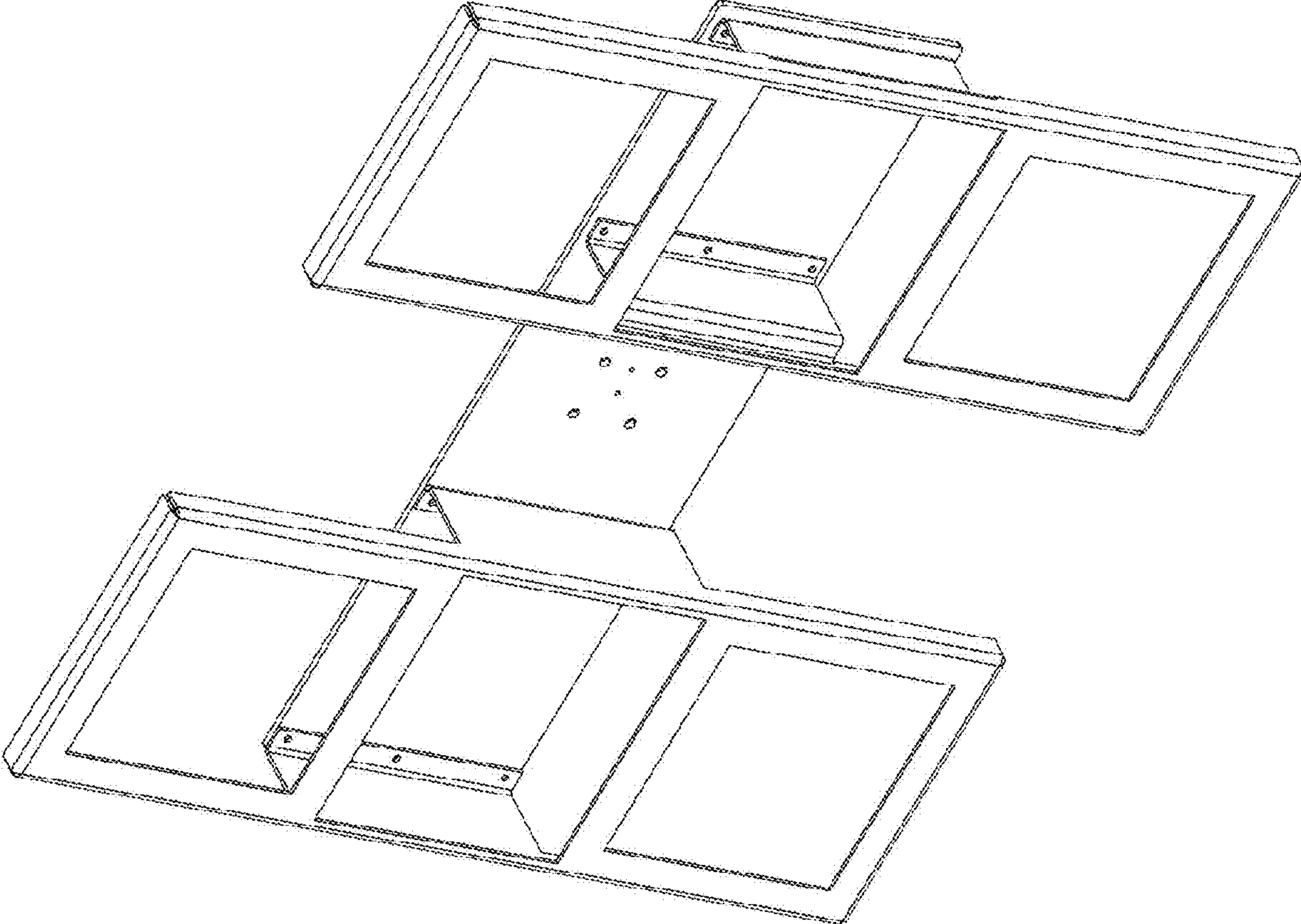


FIG. 8

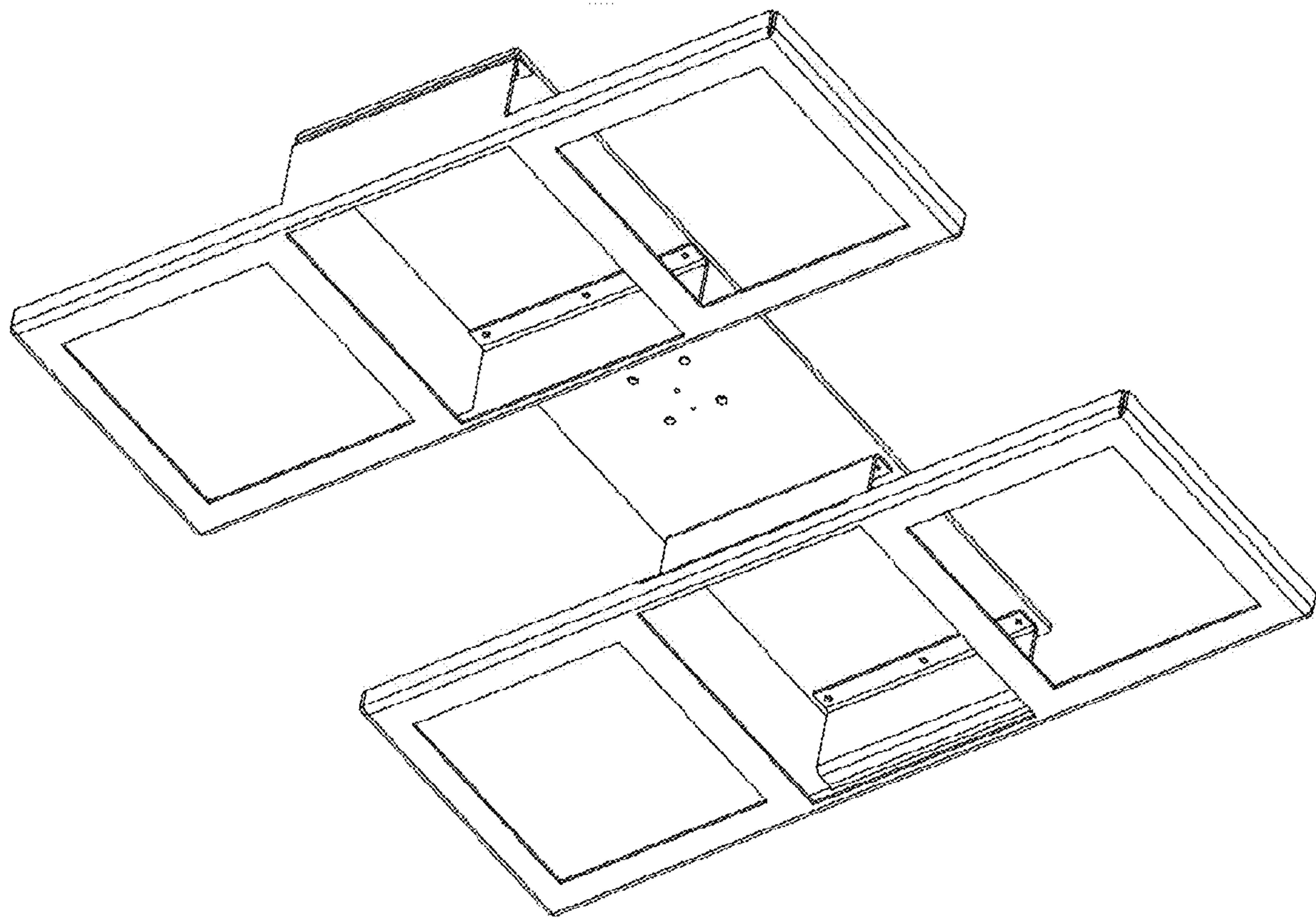


FIG. 9