



US00D895584S

(12) **United States Design Patent** (10) **Patent No.:** **US D895,584 S**
Sano (45) **Date of Patent:** **** Sep. 8, 2020**

(54) **MICROPHONE STAND**
(71) Applicant: **Audio-Technica Corporation**, Tokyo (JP)
(72) Inventor: **Yusuke Sano**, Tokyo (JP)
(73) Assignee: **Audio-Technica Corporation**, Tokyo (JP)

D268,672 S * 4/1983 McPherson D14/229
D442,932 S * 5/2001 Koike D14/155
D464,955 S * 10/2002 Lenz D14/229
D581,907 S * 12/2008 Crous D14/229
D763,234 S * 8/2016 Hara D14/225
D801,315 S * 10/2017 Kallas D14/229
D843,979 S * 3/2019 Boccio Vazquez D14/229
2011/0240202 A1 * 10/2011 Daitou H01R 4/22
156/73.1
2013/0004010 A1 * 1/2013 Royer H04R 1/08
381/368

(**) Term: **15 Years**

* cited by examiner

(21) Appl. No.: **29/651,842**

Primary Examiner — Katie Jane Stofko

(22) Filed: **Apr. 24, 2019**

(74) *Attorney, Agent, or Firm* — W&C IP

(30) **Foreign Application Priority Data**

Oct. 26, 2018 (JP) 2018-023621

(51) **LOC (12) Cl.** **14-01**

(52) **U.S. Cl.**
USPC **D14/229**

(58) **Field of Classification Search**
USPC D14/224–229; D16/244; D17/99;
D6/681; 248/125.1, 166, 185.1;
381/355, 359, 361–363, 365, 366, 369,
381/375; 379/428.01, 428.04, 431,
379/433.03
CPC . H04R 25/00; H04R 1/02; H04R 5/02; H04R
9/08; F16M 11/38; F16M 13/00; F16M
11/00

See application file for complete search history.

(56) **References Cited**

U.S. PATENT DOCUMENTS

2,062,125 A * 11/1936 Foster H04R 1/08
379/445
D223,579 S * 5/1972 Pllice D14/229

(57) **CLAIM**

The ornamental design for a microphone stand, as shown and described.

DESCRIPTION

FIG. 1 is a front perspective view of a microphone stand; FIG. 2 is a rear perspective view of the microphone stand; FIG. 3 is a front elevational view of the microphone stand; FIG. 4 is a rear elevational view of the microphone stand; FIG. 5 is a top plan view of the microphone stand; FIG. 6 is a bottom plan view of the microphone stand; FIG. 7 is a right side elevational view of the microphone stand; and, FIG. 8 is a left side elevational view of the microphone stand. Portions of the drawings shown in broken lines form no part of the claimed design.

1 Claim, 8 Drawing Sheets

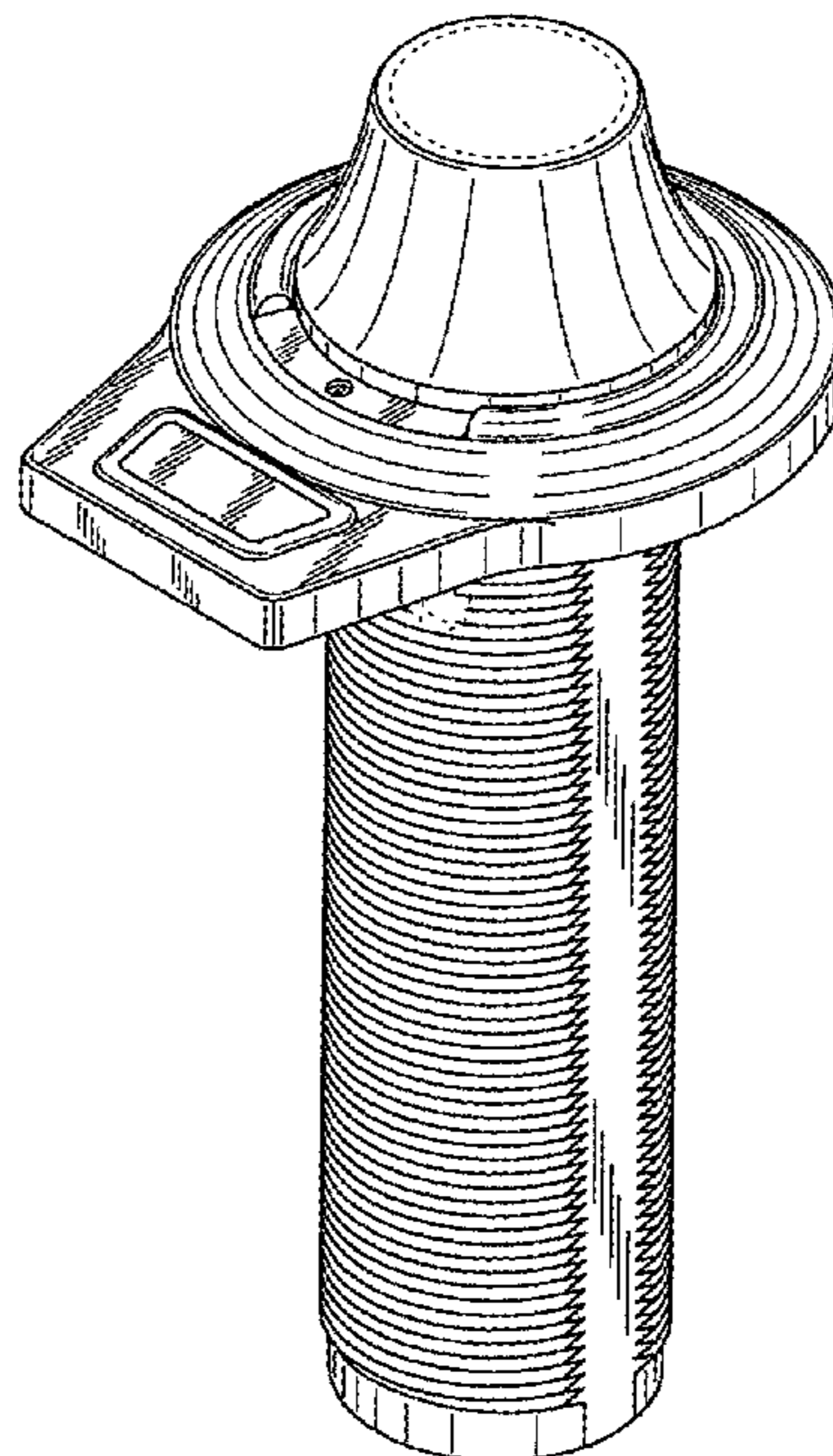


FIG. 1

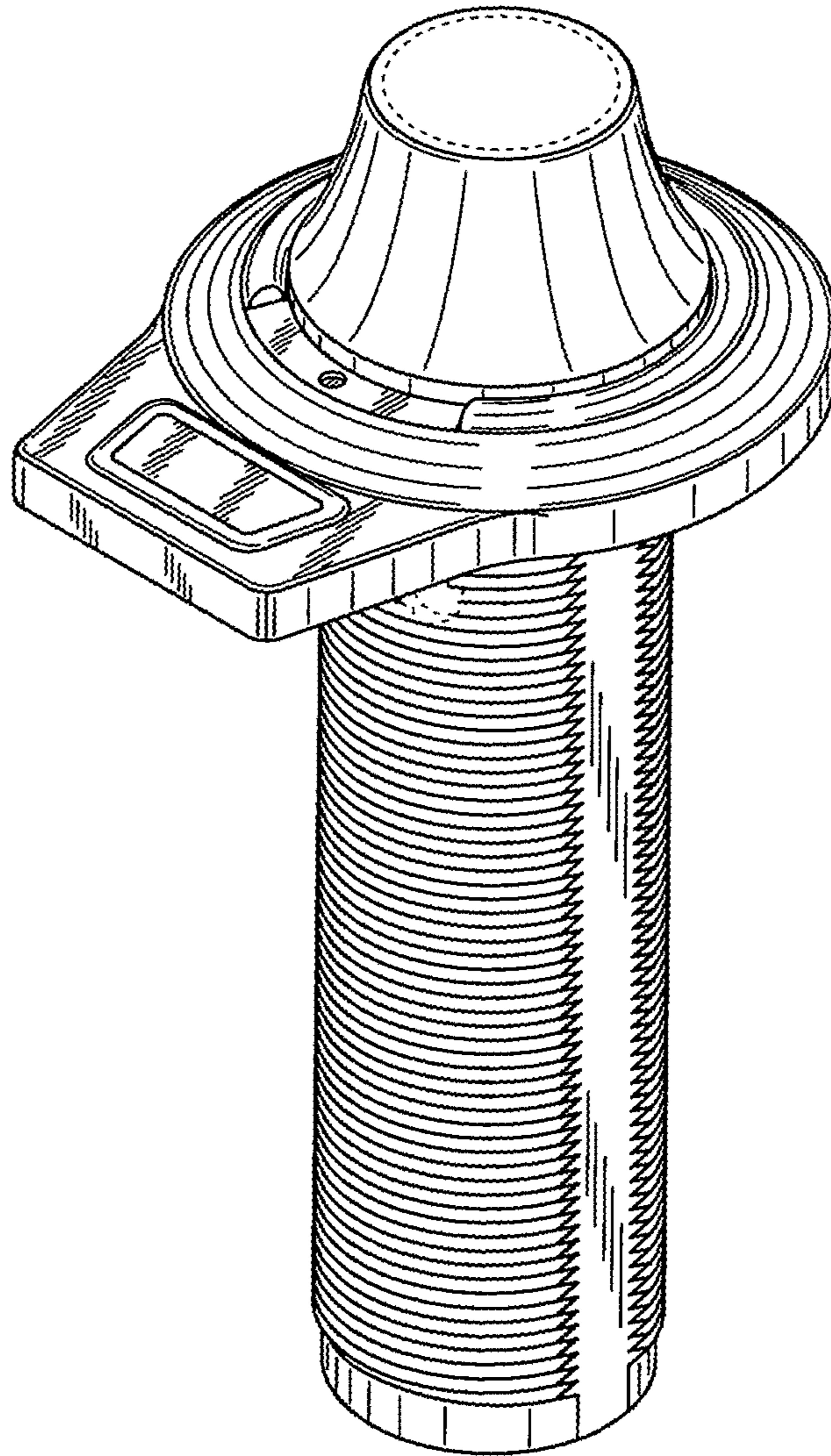


FIG. 2

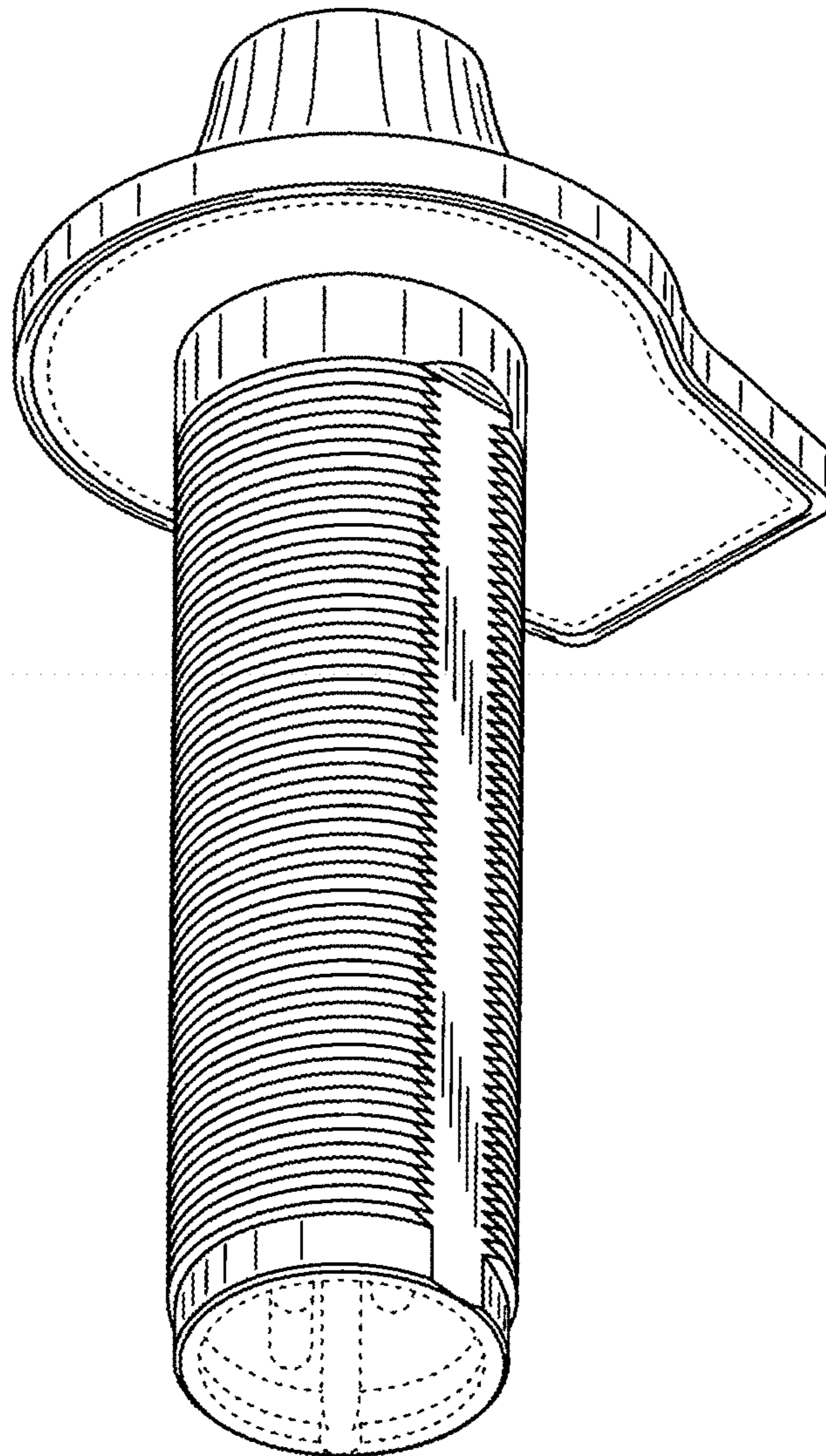


FIG. 3

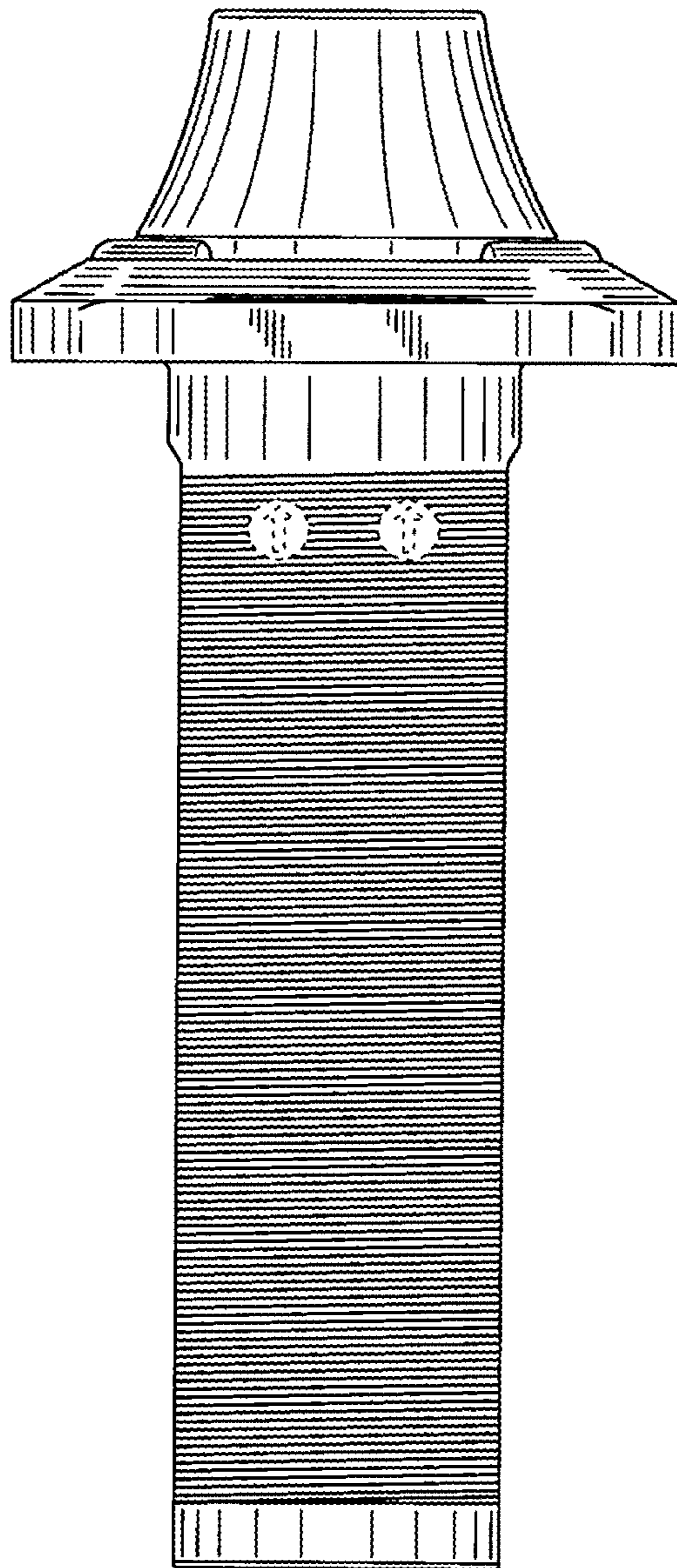


FIG. 4

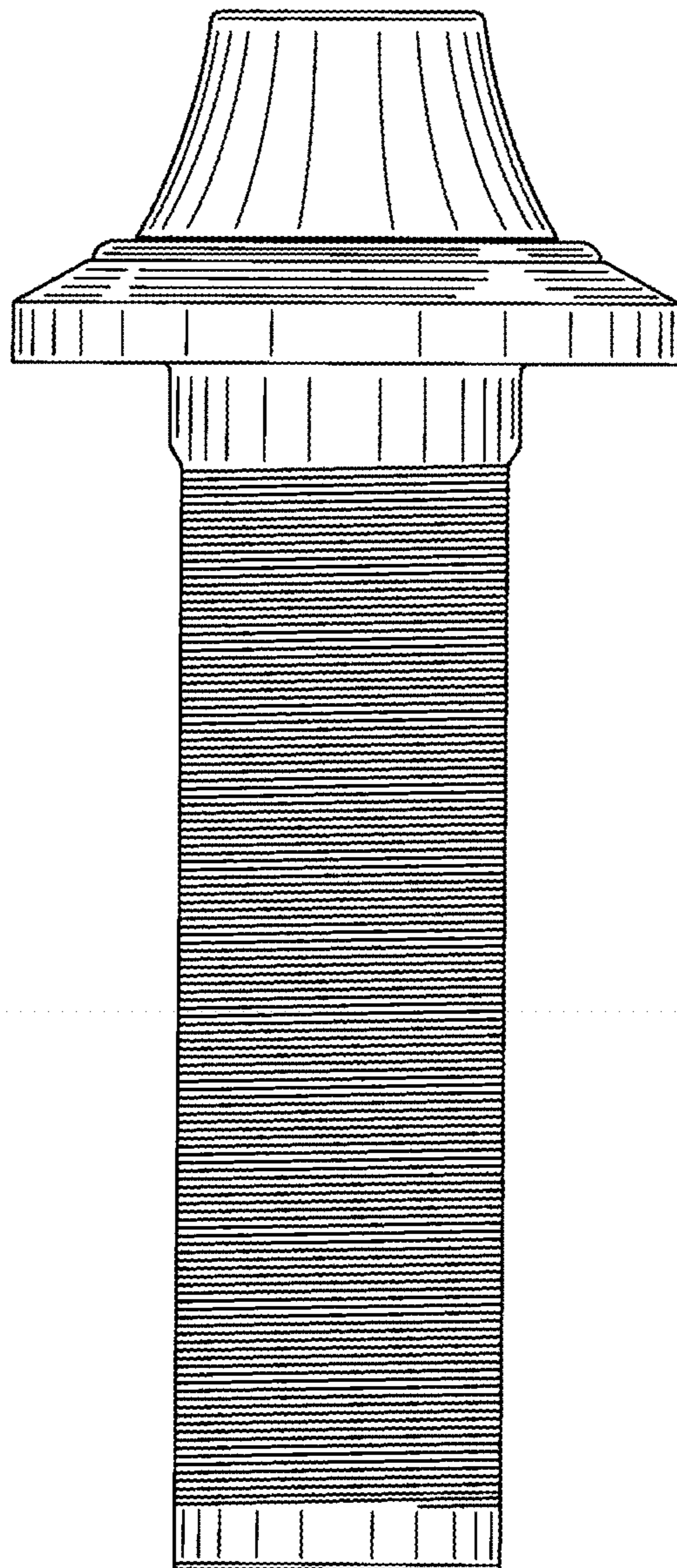


FIG. 5

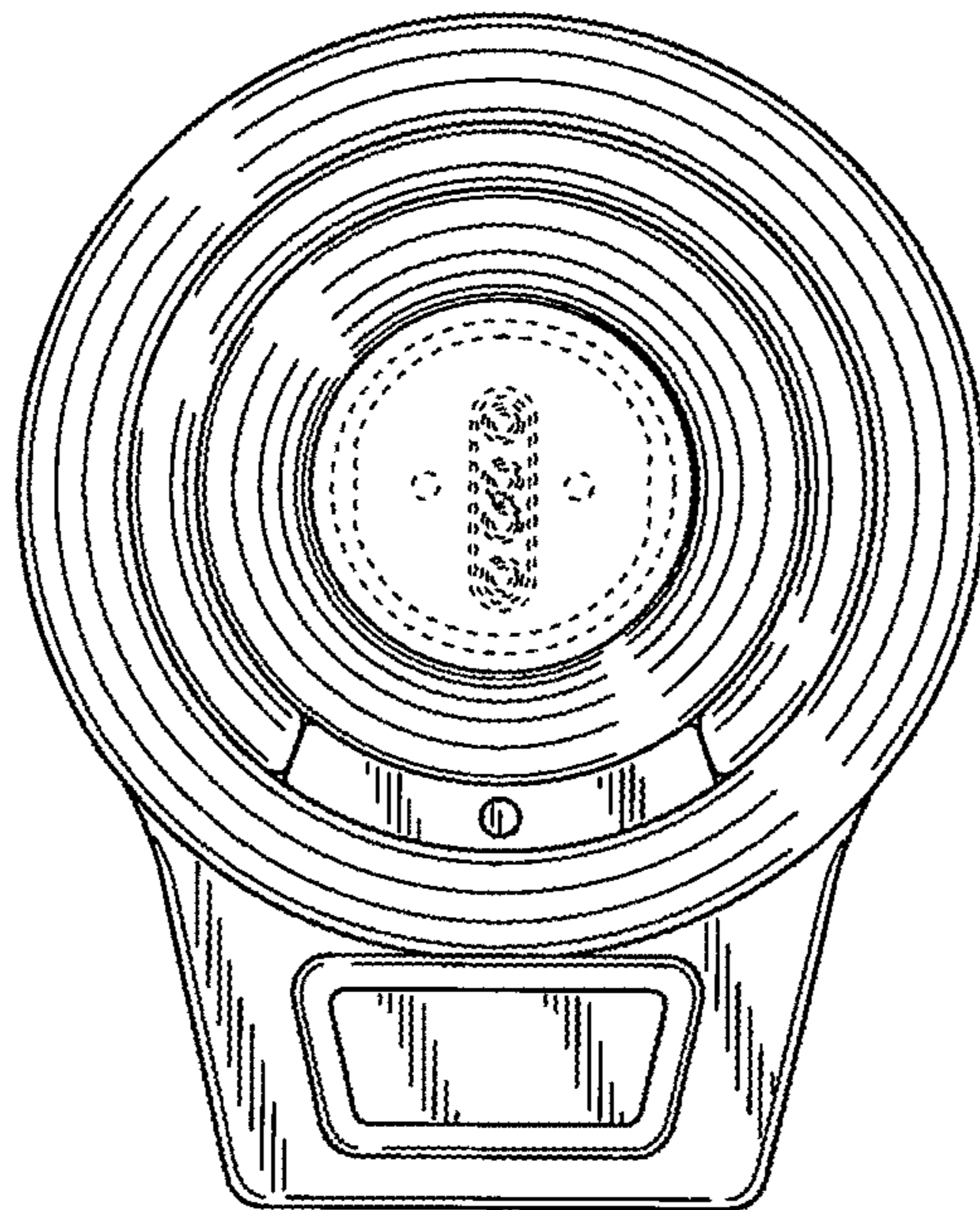


FIG. 6

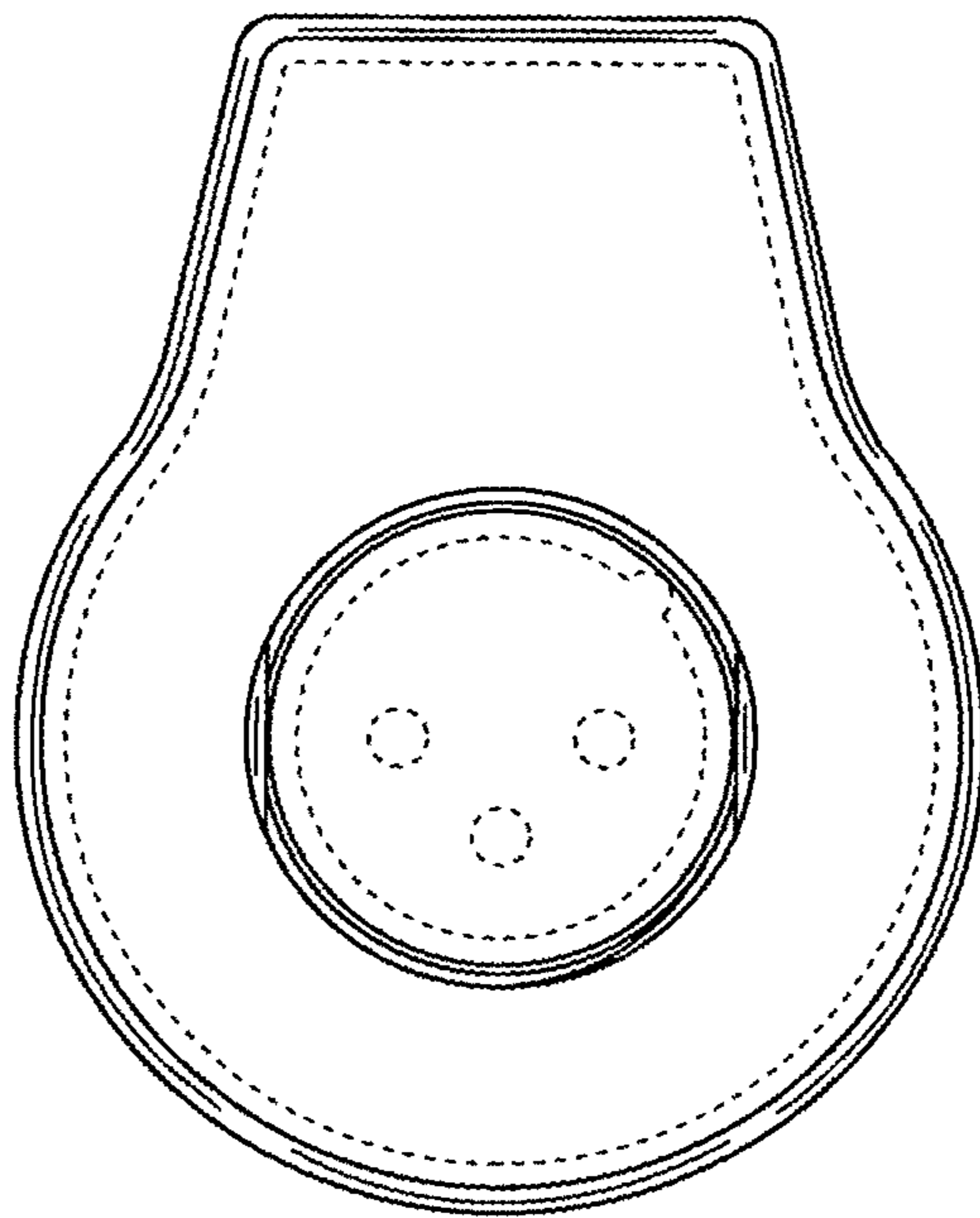


FIG. 7

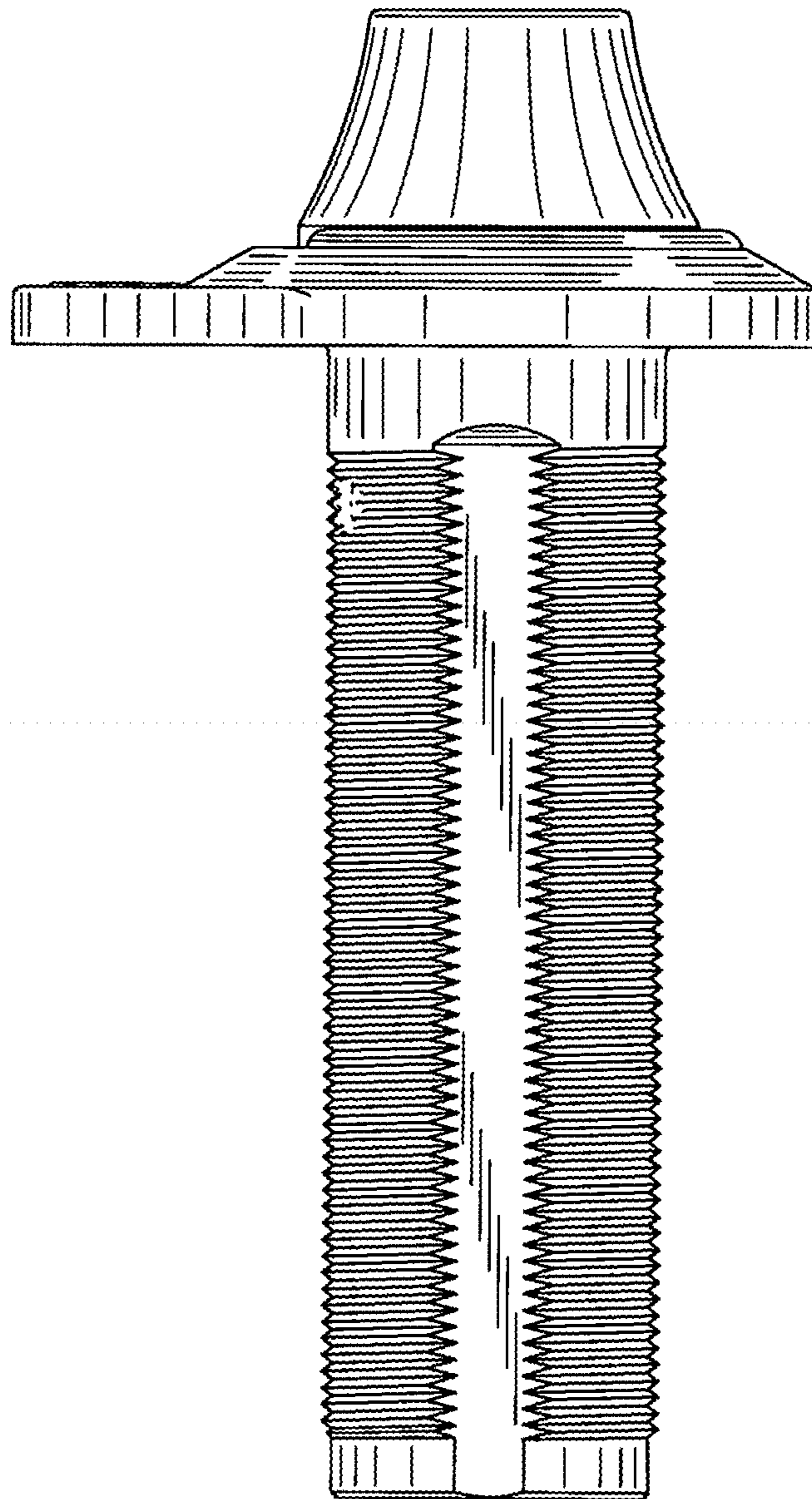


FIG. 8

