



US00D895583S

(12) **United States Design Patent**  
**Smith et al.**

(10) **Patent No.:** **US D895,583 S**  
(45) **Date of Patent:** **\*\* Sep. 8, 2020**

(54) **MICROPHONE**

- (71) Applicant: **Shure Acquisition Holdings, Inc.**,  
Niles, IL (US)
- (72) Inventors: **Dustin Jonathan Smith**, Chicago, IL  
(US); **Michael Alan Diamond**,  
Arlington Heights, IL (US); **Soren**  
**Christian Pedersen**, Chicago, IL (US);  
**Timothy William Balgemann**,  
Lombard, IL (US); **John Matthew**  
**Miller**, Grayslake, IL (US); **Ryan**  
**Jerold Perkofski**, Lake Bluff, IL (US)
- (73) Assignee: **Shure Acquisition Holdings, Inc.**,  
Niles, IL (US)
- (\*\*) Term: **15 Years**
- (21) Appl. No.: **29/680,743**
- (22) Filed: **Feb. 19, 2019**
- (51) **LOC (12) Cl.** ..... **14-01**
- (52) **U.S. Cl.**  
USPC ..... **D14/227**
- (58) **Field of Classification Search**  
USPC ..... D14/227, 228, 225, 229; D9/560, 530,  
D9/534, 501; D6/518; 181/242, 156,  
181/144, 150, 192, 158; 362/410, 412,  
362/414; 455/90.3, 575.1, 569.1;  
381/361, 355  
CPC ..... H04R 9/08; H04R 19/04; H04R 11/04;  
H04R 25/00; H04R 1/08; H04R 1/20;  
H04R 1/02; H04R 1/086; F16M 13/00  
See application file for complete search history.

(56) **References Cited**

**U.S. PATENT DOCUMENTS**

- 2,081,622 A \* 5/1937 Foster ..... H04R 1/08  
381/361
- 2,773,933 A \* 12/1956 Hawley ..... H04R 1/406  
381/357
- 3,201,530 A \* 8/1965 Levy ..... H04R 1/08  
381/91

(Continued)

**FOREIGN PATENT DOCUMENTS**

- CN 304332932 \* 10/2017
- CN 305734304 \* 4/2020

**OTHER PUBLICATIONS**

Catalog for "2010 Product Catalog", Shure Incorporated, p. 15,  
publication date unknown but prior to the filing date of the present  
application (1page).

(Continued)

*Primary Examiner* — Paula Allen Greene

(74) *Attorney, Agent, or Firm* — Banner & Witcoff, Ltd.

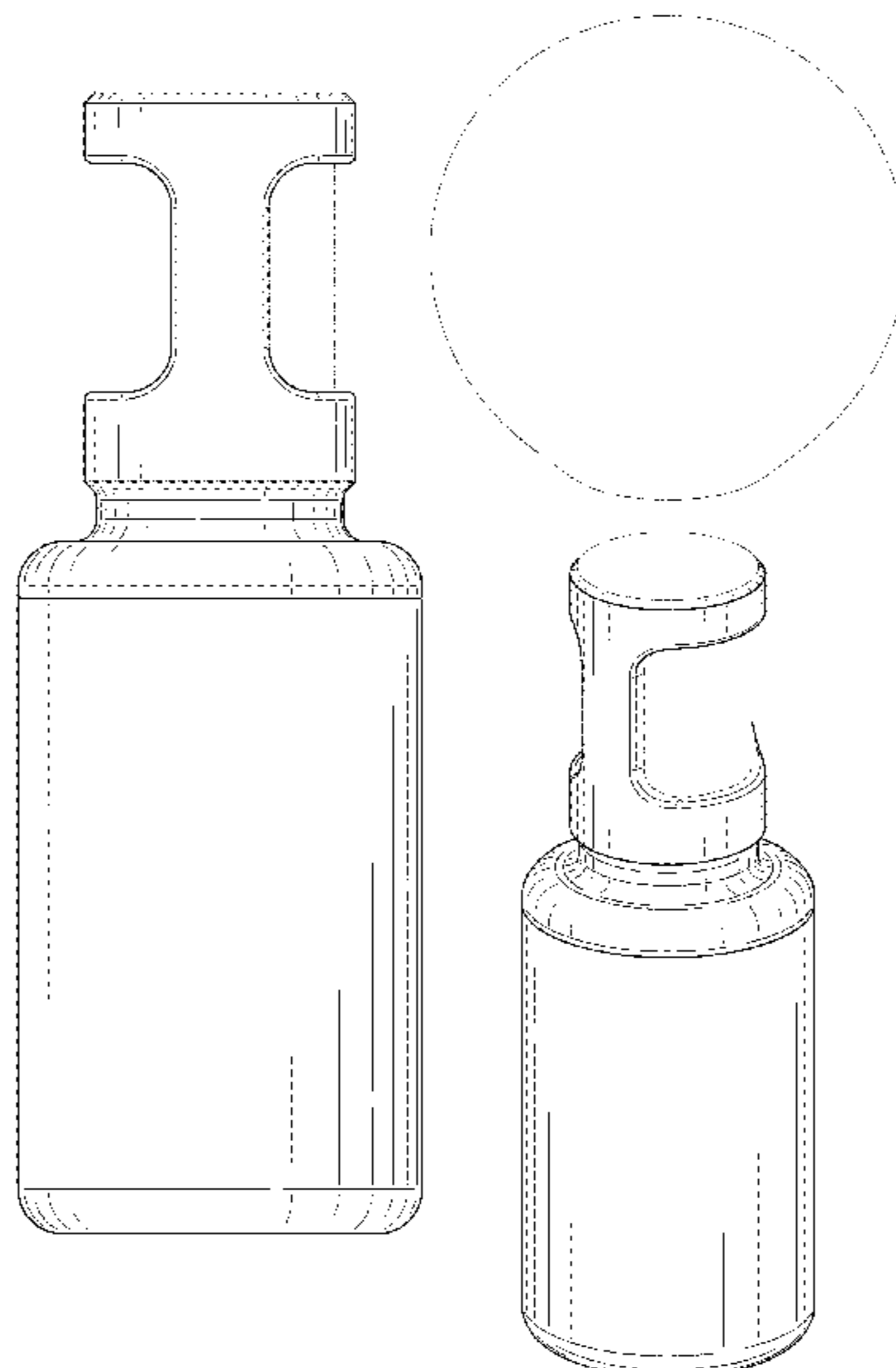
(57) **CLAIM**

The ornamental design for a microphone, as shown and  
described.

**DESCRIPTION**

FIG. 1 is a top, front, left perspective view of a microphone  
showing our new design;  
FIG. 2 is a left side view thereof;  
FIG. 3 is a right side view thereof;  
FIG. 4 is a front view thereof;  
FIG. 5 is a rear view thereof;  
FIG. 6 is a top view thereof;  
FIG. 7 is a top, front, left perspective view of FIG. 1 thereof,  
shown with an unclaimed portion; and,  
FIG. 8 is a front view thereof, where the unclaimed portion  
is shown in an alternate configuration.  
The uneven-length broken lines immediately adjacent to the  
shaded area define the bounds of the claimed design and  
form no part thereof. The remaining uneven-length broken  
lines in FIGS. 7 and 8 represent unclaimed subject matter  
and form no part of the claimed design.

**1 Claim, 6 Drawing Sheets**



(56)

References Cited

U.S. PATENT DOCUMENTS

D209,515 S \* 12/1967 Thomson ..... D14/228  
 D213,567 S \* 3/1969 Buchanan ..... D14/228  
 3,515,821 A \* 6/1970 Knauert ..... H04R 1/06  
 381/360  
 D218,315 S \* 8/1970 Rusch ..... D14/228  
 3,560,668 A \* 2/1971 Warning ..... H04R 1/222  
 381/360  
 3,718,862 A \* 2/1973 Norris ..... H04B 5/06  
 455/95  
 D228,193 S \* 8/1973 Prayne ..... D14/228  
 D239,722 S \* 4/1976 Schmidt ..... D14/228  
 3,989,905 A \* 11/1976 Anderson ..... H04R 1/02  
 381/360  
 D247,707 S \* 4/1978 Armstrong ..... D14/228  
 D253,468 S \* 11/1979 Peterson ..... D14/228  
 D259,173 S \* 5/1981 Lauren ..... D9/560  
 4,344,184 A \* 8/1982 Edwards ..... H04B 1/04  
 343/702  
 4,447,678 A \* 5/1984 Fidi ..... H04R 23/02  
 181/153  
 D275,834 S \* 10/1984 Slade ..... D9/772  
 4,628,525 A \* 12/1986 Iwahara ..... H04R 1/086  
 381/26  
 4,633,045 A \* 12/1986 Bartlett ..... H04R 1/38  
 381/345  
 D295,759 S \* 5/1988 Kolich ..... D14/226  
 D296,100 S \* 6/1988 Kubota ..... D14/228  
 D296,435 S \* 6/1988 Kubota ..... D14/228  
 4,789,044 A \* 12/1988 Akino ..... H04R 1/38  
 181/158  
 D302,819 S \* 8/1989 Kubota ..... D14/228  
 4,910,795 A \* 3/1990 McCowen ..... H04R 1/04  
 455/95  
 5,357,577 A \* 10/1994 Waji ..... H01J 7/24  
 361/704  
 5,444,790 A \* 8/1995 Kogen ..... H04R 1/086  
 381/189  
 5,675,660 A \* 10/1997 Townsend ..... H04R 1/086  
 381/189  
 5,742,697 A \* 4/1998 Ching-Chung ..... H04R 1/083  
 381/355

D407,407 S \* 3/1999 Okon ..... D14/228  
 D479,227 S \* 9/2003 Marshall ..... D14/228  
 D479,837 S \* 9/2003 Sundquist ..... D14/228  
 D530,706 S 10/2006 Gustafson et al.  
 D531,171 S 10/2006 Gustafson et al.  
 D573,471 S \* 7/2008 Seum ..... D9/516  
 D594,856 S \* 6/2009 Marshall ..... D14/228  
 D604,274 S \* 11/2009 Durrett ..... D14/228  
 D623,631 S \* 9/2010 Kung ..... D14/228  
 7,889,882 B2 \* 2/2011 Marshall ..... H04R 19/04  
 381/113  
 D634,307 S \* 3/2011 Arpe ..... D14/228  
 D708,170 S \* 7/2014 Duek ..... D14/225  
 D748,610 S 2/2016 Smith et al.  
 D774,494 S \* 12/2016 Sunwoo ..... D14/227  
 9,843,852 B2 12/2017 MCGovern, Jr. et al.  
 9,877,113 B2 \* 1/2018 Akino ..... H04R 7/122  
 D833,291 S \* 11/2018 Staab ..... D9/560  
 D834,566 S \* 11/2018 Sunwoo ..... D14/227  
 D835,612 S \* 12/2018 Tong ..... D14/225  
 D849,721 S \* 5/2019 Chen ..... D14/227  
 D850,423 S \* 6/2019 Chen ..... D14/227  
 10,334,340 B2 \* 6/2019 Su ..... H04R 1/08  
 D859,370 S \* 9/2019 Slaton ..... D14/225  
 10,643,599 B2 \* 5/2020 Sterling ..... H04R 1/345  
 2010/0208929 A1 \* 8/2010 Heil ..... H04R 11/04  
 381/355  
 2018/0027316 A1 \* 1/2018 Avliav ..... H04R 1/086  
 181/242

OTHER PUBLICATIONS

Catalog for “2010 Product Catalog”, Shure Incorporated, p. 20, publication date unknown but prior to the filing date of the present application (1page).  
 Catalog for “2015 Product Catalog”, Shure Incorporated, p. 8, publication date unknown but prior to the filing date of the present application (1page).  
 Catalog for “2015 Product Catalog”, Shure Incorporated, p. 9, publication date unknown but prior to the filing date of the present application (1page).

\* cited by examiner

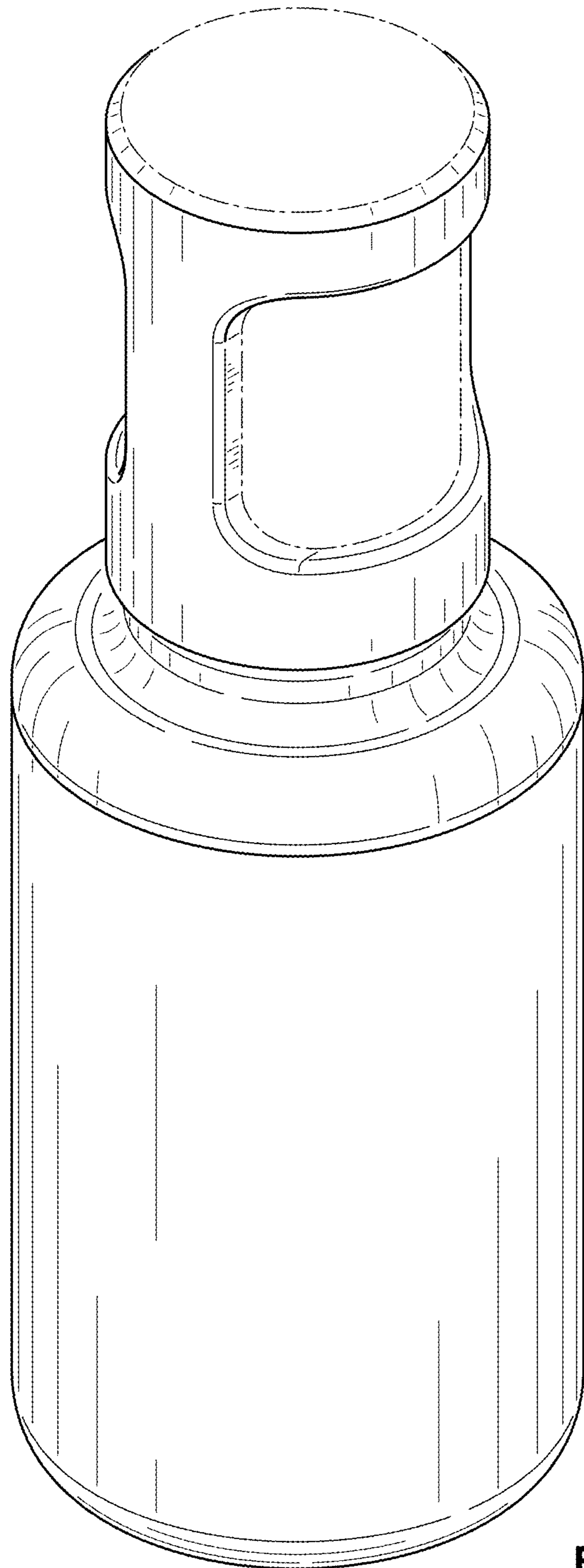


FIG. 1

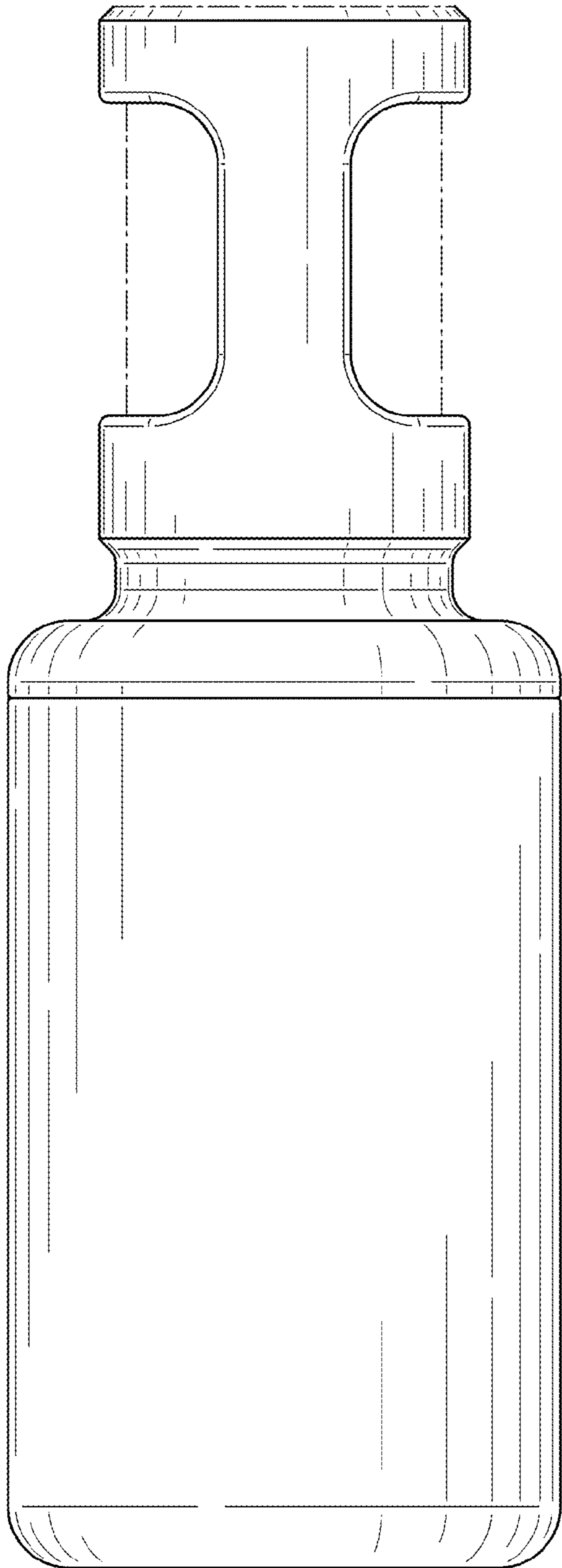


FIG. 2

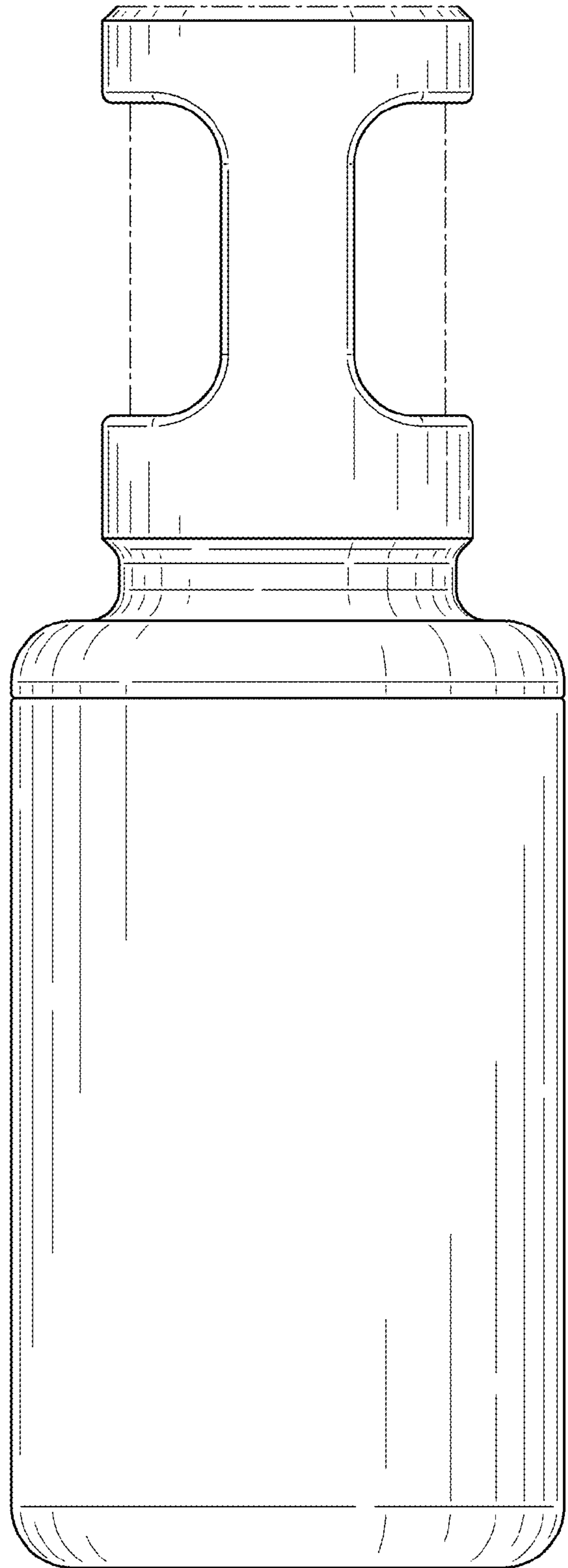


FIG. 3

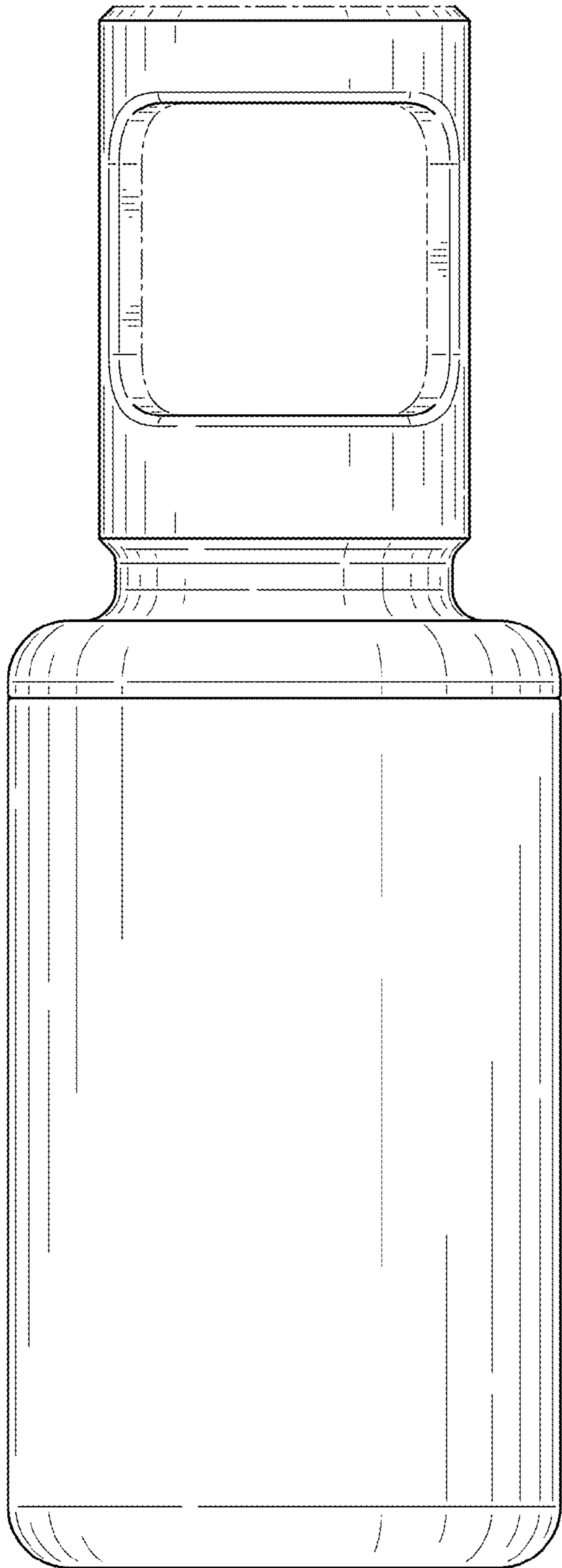


FIG. 4

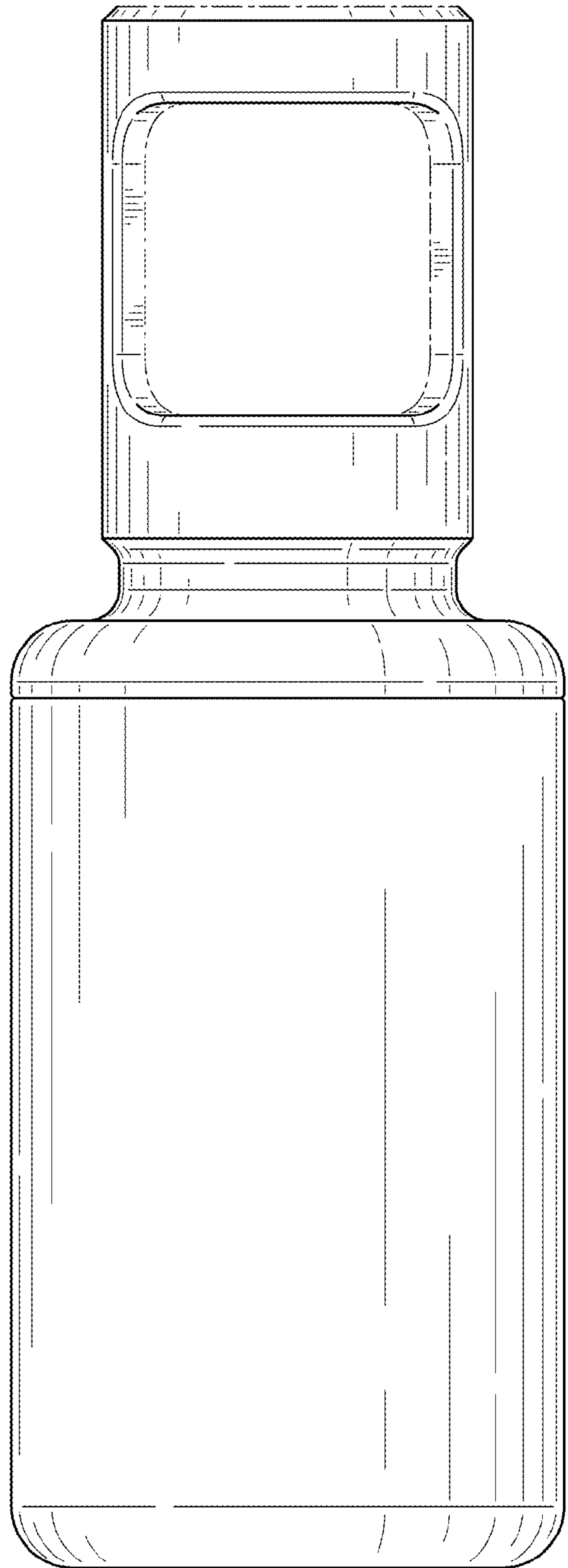
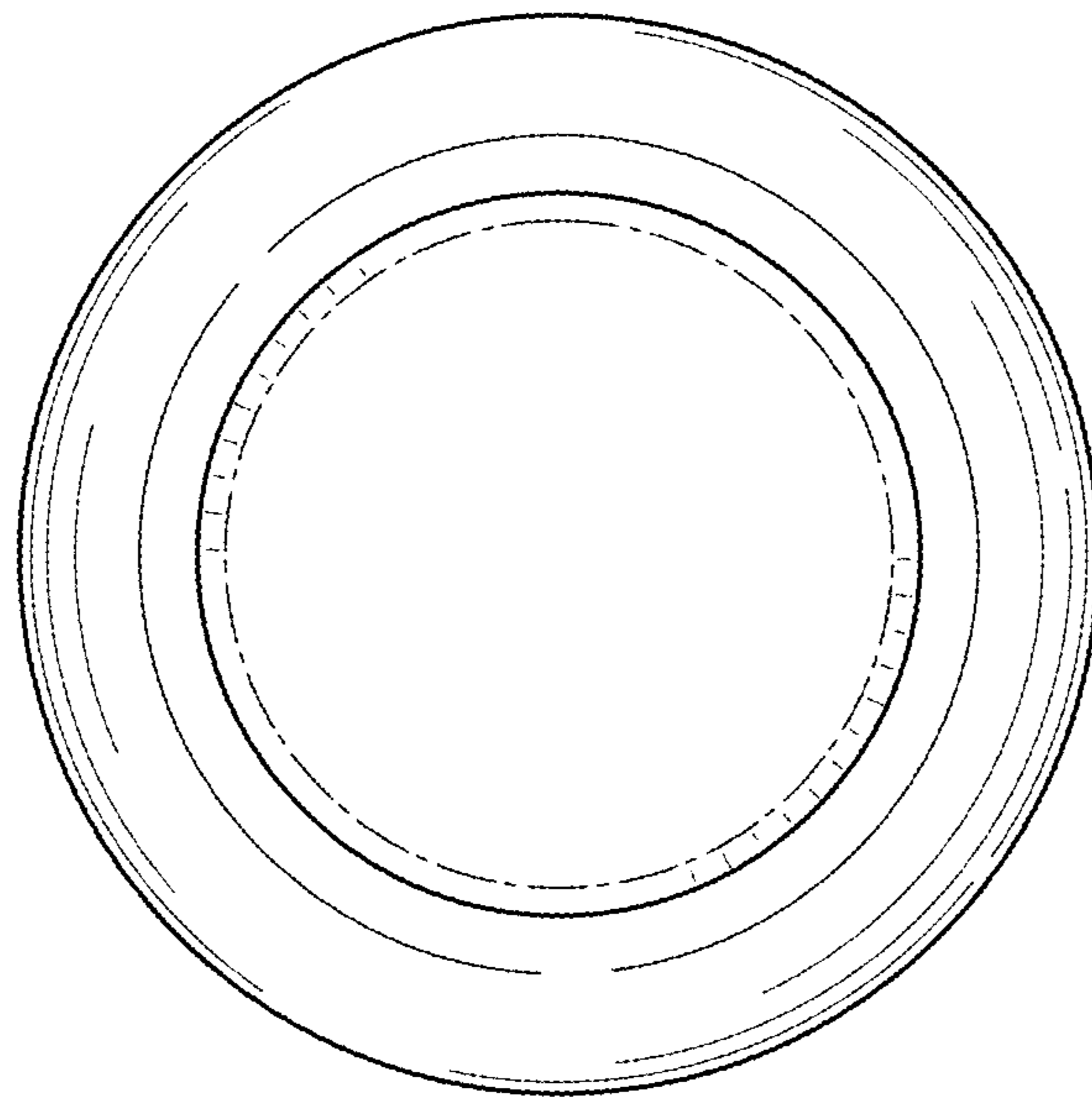


FIG. 5



**FIG. 6**

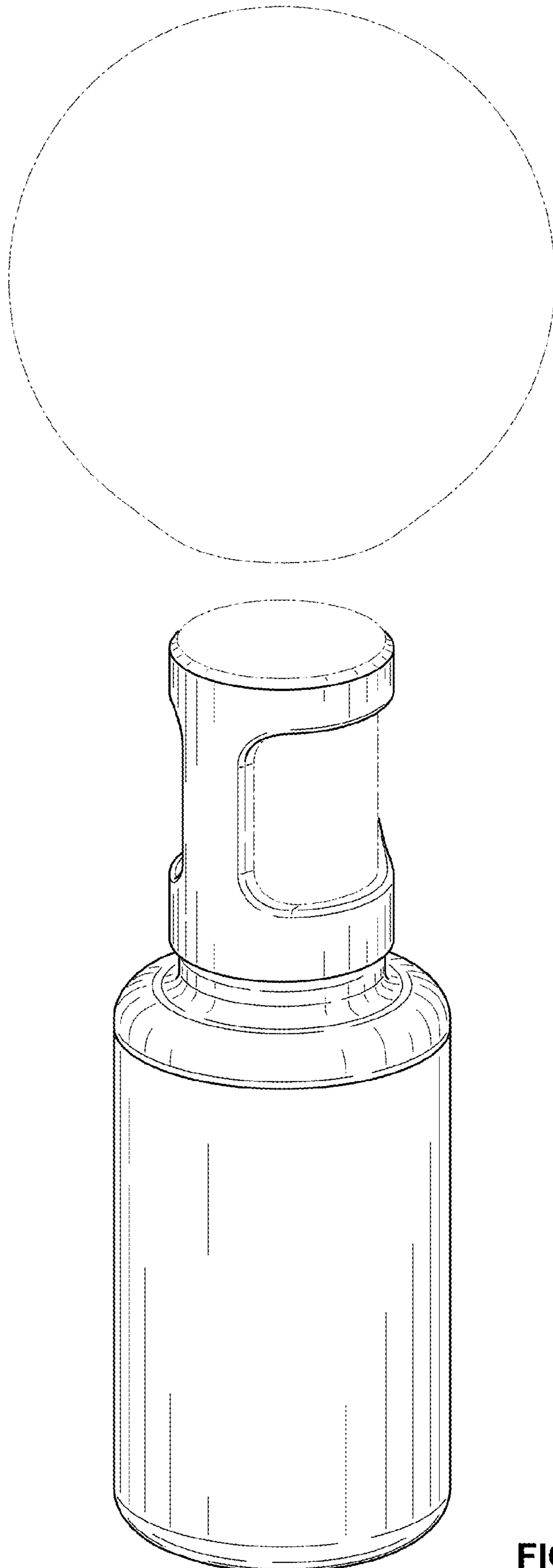


FIG. 7

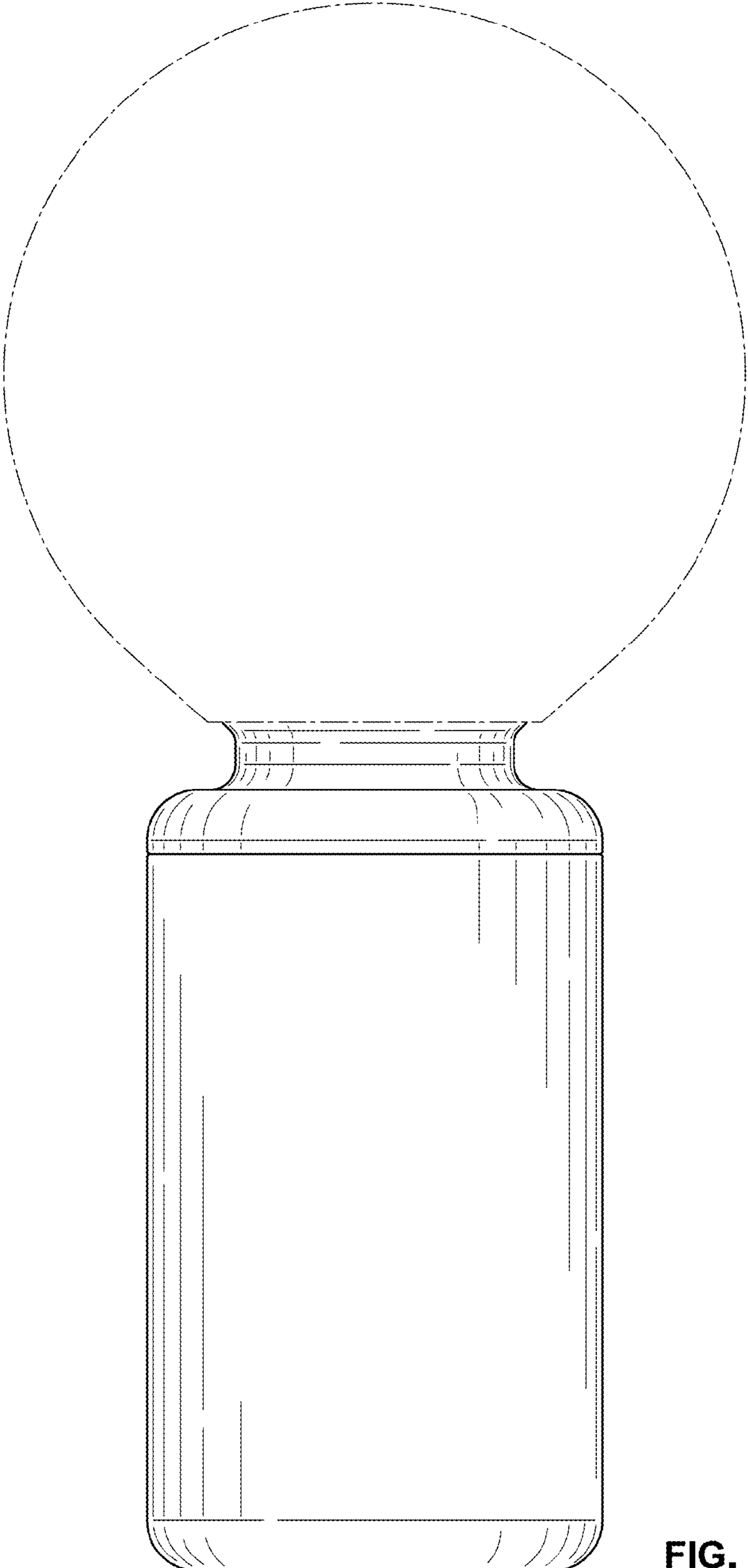


FIG. 8