



US00D895582S

(12) **United States Design Patent**
Wu

(10) **Patent No.:** **US D895,582 S**
(45) **Date of Patent:** **** Sep. 8, 2020**

(54) **EARPHONES WITH CHARGE CASE**

FOREIGN PATENT DOCUMENTS

(71) Applicant: **SHENZHEN JINZHI TECHNOLOGY CO., LTD.**, Shenzhen (CN)

CN 305661442 * 3/2020
EM 007978838-0001 * 6/2020
WO D208613-001 * 9/2019

(72) Inventor: **Dongxing Wu**, Shenzhen (CN)

Primary Examiner — Paula Allen Greene

(73) Assignee: **SHENZHEN JINZHI TECHNOLOGY CO., LTD.**, Shenzhen (CN)

(57) **CLAIM**

(**) Term: **15 Years**

The ornamental design for earphones with charge case, as shown and described.

(21) Appl. No.: **29/736,622**

DESCRIPTION

(22) Filed: **Jun. 2, 2020**

(51) **LOC (12) Cl.** **14-01**

(52) **U.S. Cl.**

USPC **D14/223**

(58) **Field of Classification Search**

USPC D14/223, 205; D24/174; 128/864, 865, 128/866; D13/107, 108; D3/201, 218, D3/294; D9/420, 435, 432; D7/629, D7/709; 220/23.87, 526; 206/541; 455/90.3, 575.1, 569.1; D28/83

CPC H02J 7/00; H04R 1/2823; H04R 1/10; H04R 25/00; H04R 25/02; H04R 1/1066; H04R 1/1016; H04R 1/1091

See application file for complete search history.

FIG. 1 is a perspective view of earphones for earphones with charge case showing my new design the earphones are shown separately for ease of illustration; FIG. 2 is another perspective view thereof; FIG. 3 is a front elevational view thereof; FIG. 4 is a rear elevational view thereof; FIG. 5 is a left side elevational view thereof; FIG. 6 is a right side elevational view thereof; FIG. 7 is a top plan view thereof; FIG. 8 is a bottom plan view thereof; FIG. 9 is a perspective view of a charge case for earphones with charge case showing my new design, the charge case is shown separately for ease of illustration; FIG. 10 is another perspective view thereof; FIG. 11 is a front elevational view thereof; FIG. 12 is a rear elevational view thereof; FIG. 13 is a left side elevational view thereof; FIG. 14 is a right side elevational view thereof; FIG. 15 is a top plan view thereof; FIG. 16 is a bottom plan view thereof; and, FIG. 17 is a perspective view of the earphones with charge case where the earphones are received in a charge case. The broken lines in the drawings depict portions of the earphones with charge case that form no part of the claimed design.

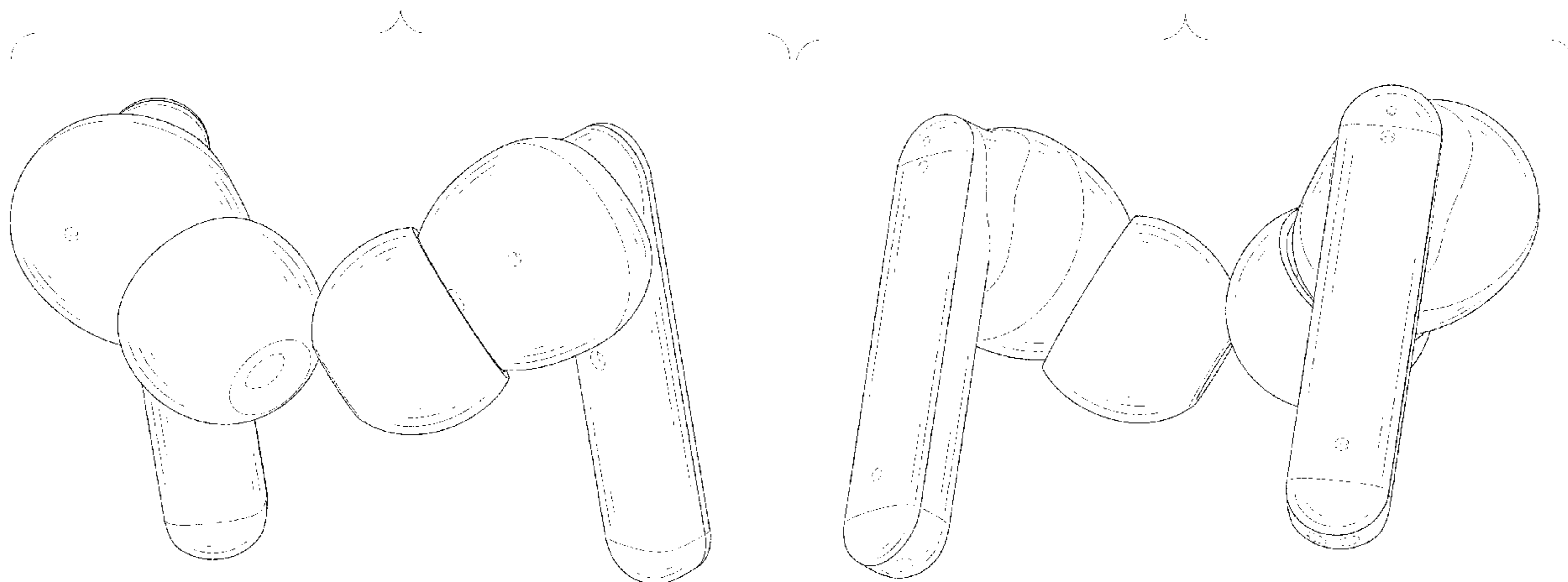
(56) **References Cited**

U.S. PATENT DOCUMENTS

- D506,744 S * 6/2005 Andre D14/205
- D593,537 S * 6/2009 Arimoto D14/205
- D599,778 S * 9/2009 Ando D14/205
- D623,171 S * 9/2010 Chen D14/223
- D641,738 S * 7/2011 Perez D14/223
- D652,823 S * 1/2012 Chen H04R 1/1016
D14/223
- D657,780 S * 4/2012 Dahlberg D14/223
- D660,292 S * 5/2012 Rautiainen D14/223

(Continued)

1 Claim, 17 Drawing Sheets



(56)

References Cited

U.S. PATENT DOCUMENTS

D662,493 S *	6/2012	Chen	D14/223	D838,480 S *	1/2019	Son	D3/294
D666,581 S *	9/2012	Perez	D14/223	D841,581 S *	2/2019	Bonahoom	D13/108
D671,531 S *	11/2012	Kim	D14/223	D847,125 S *	4/2019	Akana	D14/223
D681,015 S *	4/2013	Akana	H04R 1/10 D14/223	D847,794 S *	5/2019	Guo	D14/223
D695,721 S *	12/2013	Thompson	D14/223	D848,979 S *	5/2019	Kim	D14/223
D707,206 S *	6/2014	Akana	H04R 1/10 D14/223	D848,980 S *	5/2019	Kim	D14/223
D711,857 S *	8/2014	Burgett	D14/223	D848,983 S *	5/2019	Kim	D14/223
D718,284 S *	11/2014	Shibusawa	D14/223	D849,401 S *	5/2019	Akana	D3/274
D730,876 S *	6/2015	Dahlberg	D14/223	D861,647 S *	10/2019	Chen	D14/223
D732,008 S *	6/2015	Akana	H04R 1/10 D14/223	D864,165 S *	10/2019	Roberts	D14/223
D733,101 S *	6/2015	Pi	D14/223	D869,445 S *	12/2019	Hu	D14/223
D733,689 S *	7/2015	Narita	D14/223	D870,451 S *	12/2019	Birger	D3/201
D738,864 S *	9/2015	Lee	D14/223	D878,337 S *	3/2020	Yang	D14/223
D741,287 S *	10/2015	Harata	D14/205	D881,572 S *	4/2020	Wang	D3/294
D757,682 S *	5/2016	Perez	D14/205	D882,553 S *	4/2020	Wu	D14/223
D760,202 S *	6/2016	Hsieh	D14/223	D883,258 S *	5/2020	Wu	D14/223
D770,412 S *	11/2016	Son	D14/205	D883,260 S *	5/2020	Hu	D14/223
D772,572 S *	11/2016	Palmborg	D3/294	D883,960 S *	5/2020	Du	D14/223
D775,108 S *	12/2016	Hsieh	D14/223	D885,373 S *	5/2020	Lundback	D14/223
D784,962 S *	4/2017	Yang	D14/223	D886,455 S *	6/2020	Williamson	D3/294
D801,314 S *	10/2017	Akana	D14/223	D887,396 S *	6/2020	Wang	D14/223
D806,388 S *	1/2018	Akana	D3/294	D888,408 S *	6/2020	Lee	D3/201
D806,648 S *	1/2018	Beedham	D13/107	D889,436 S *	7/2020	Zhang	D14/223
D818,268 S *	5/2018	Akana	D3/294	D889,437 S *	7/2020	Ando	D14/223
D820,809 S *	6/2018	Akana	D14/205	D889,439 S *	7/2020	Hsieh	D14/223
D822,009 S *	7/2018	Matoba	D14/223	D890,091 S *	7/2020	Cramer	D13/108
D823,246 S *	7/2018	Lin	D13/108	D890,138 S *	7/2020	Peng	D14/223
D830,336 S *	10/2018	Cai	D14/205	2012/0237074 A1 *	9/2012	Aase	H04R 1/1075 381/380
D831,619 S *	10/2018	Matoba	D14/223	2015/0382100 A1 *	12/2015	Azmi	H04R 1/2811 381/380
D832,824 S *	11/2018	Kim	D14/223	2016/0014498 A1 *	1/2016	Paschel	H04R 1/1016 381/380
				2017/0164087 A1 *	6/2017	Kurtz	H04R 1/1066
				2018/0167713 A1 *	6/2018	Chou	H04R 1/1075
				2020/0068283 A1 *	2/2020	Chou	H04R 1/1025

* cited by examiner

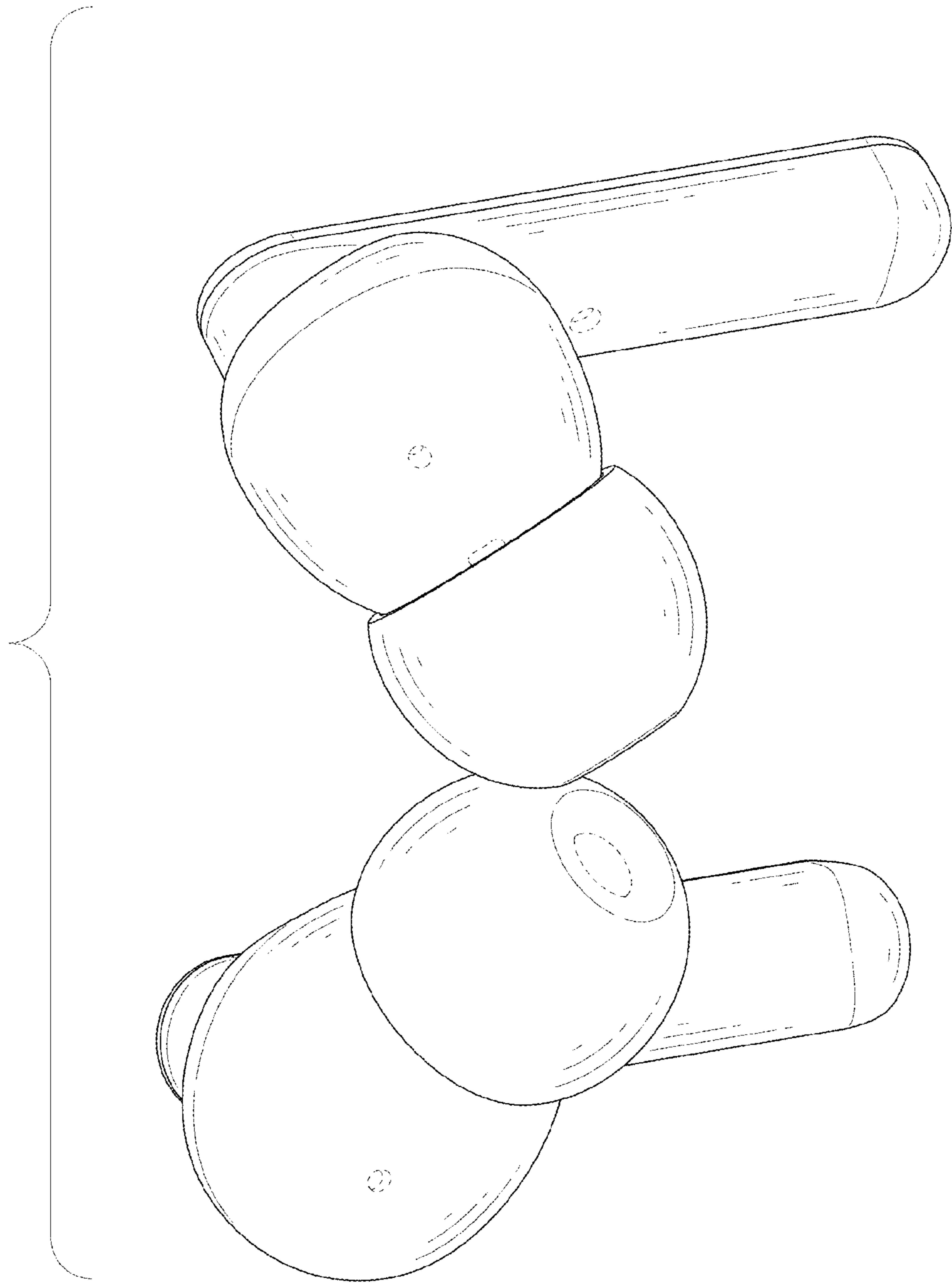


FIG. 1

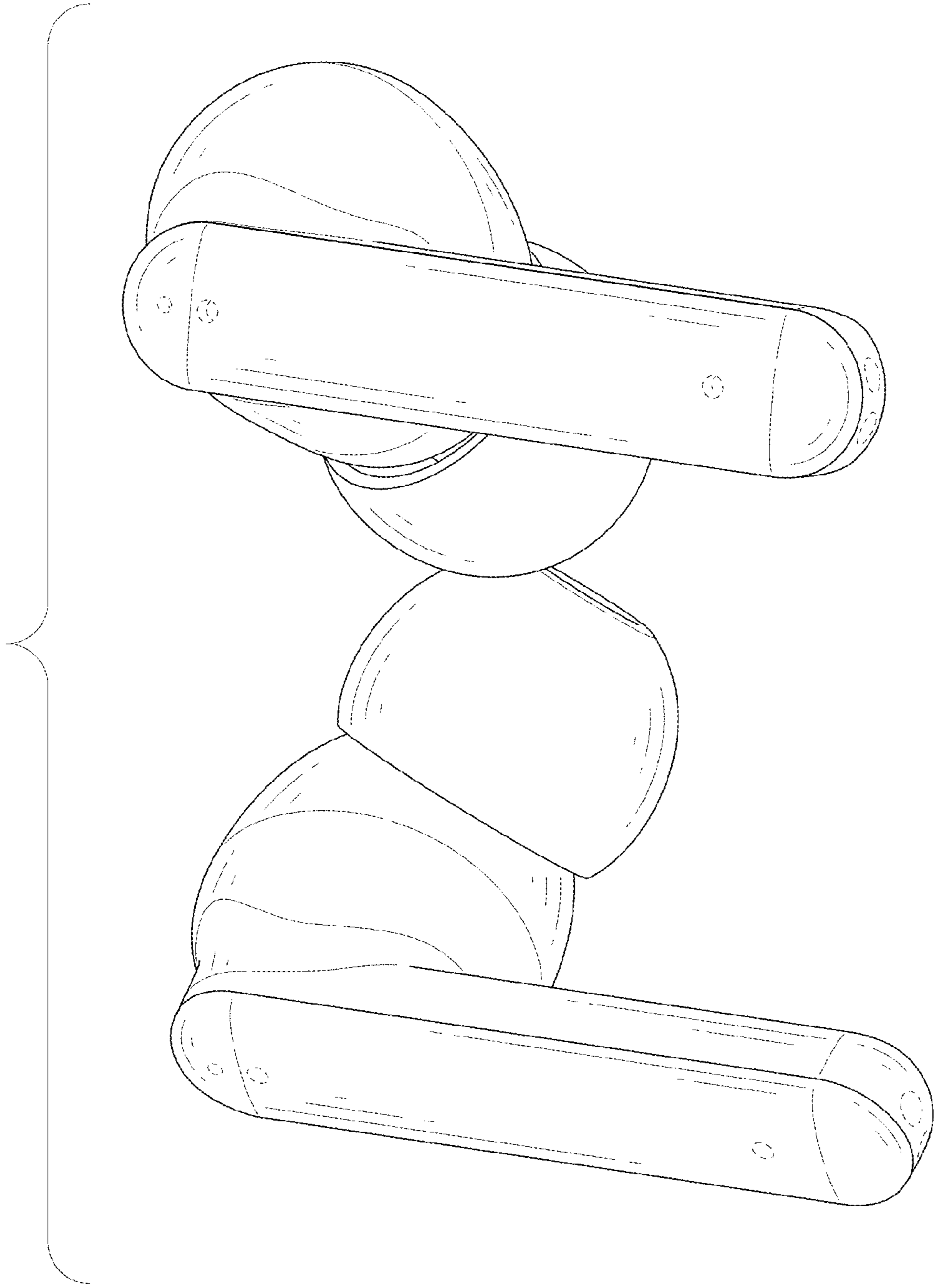


FIG. 2

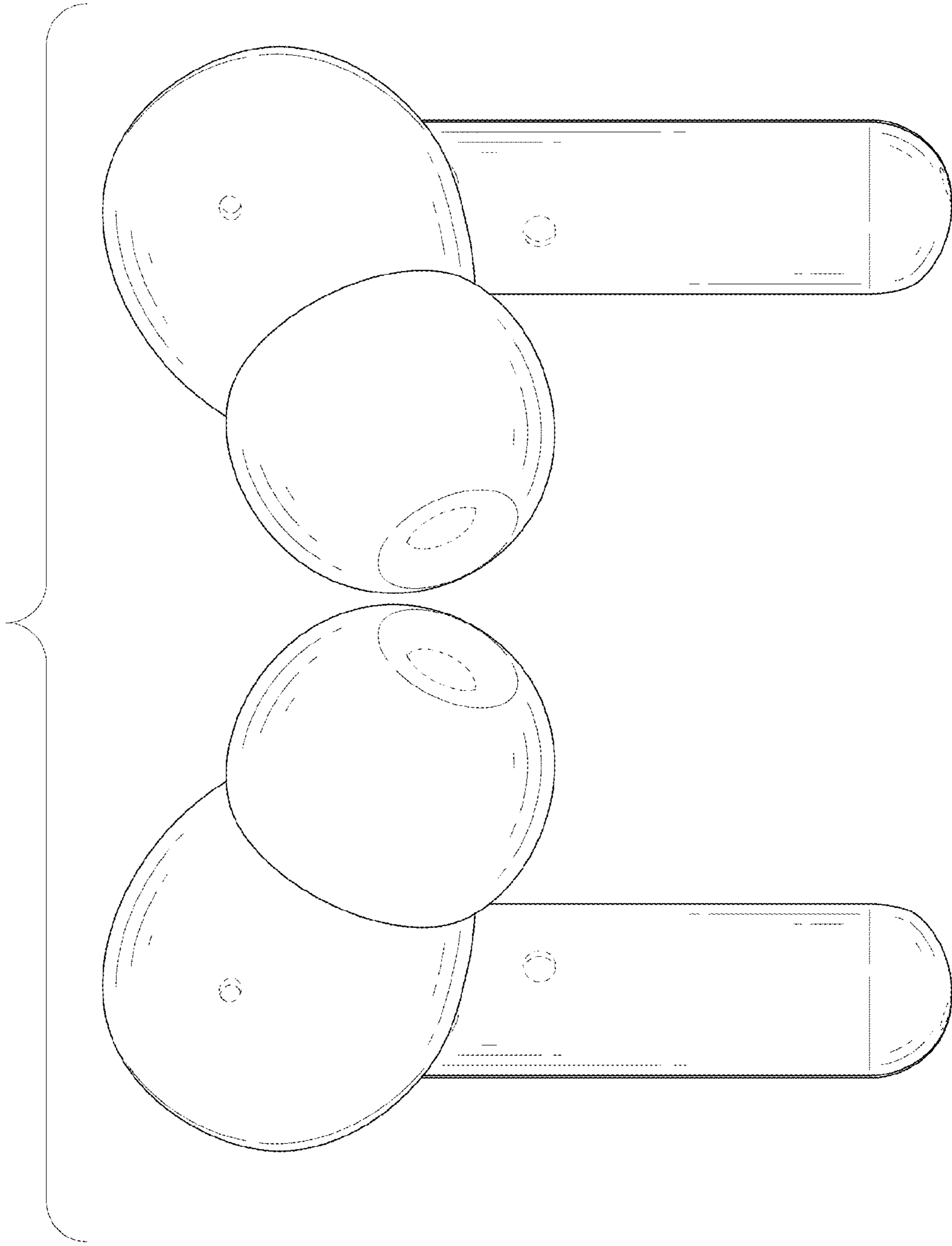


FIG. 3

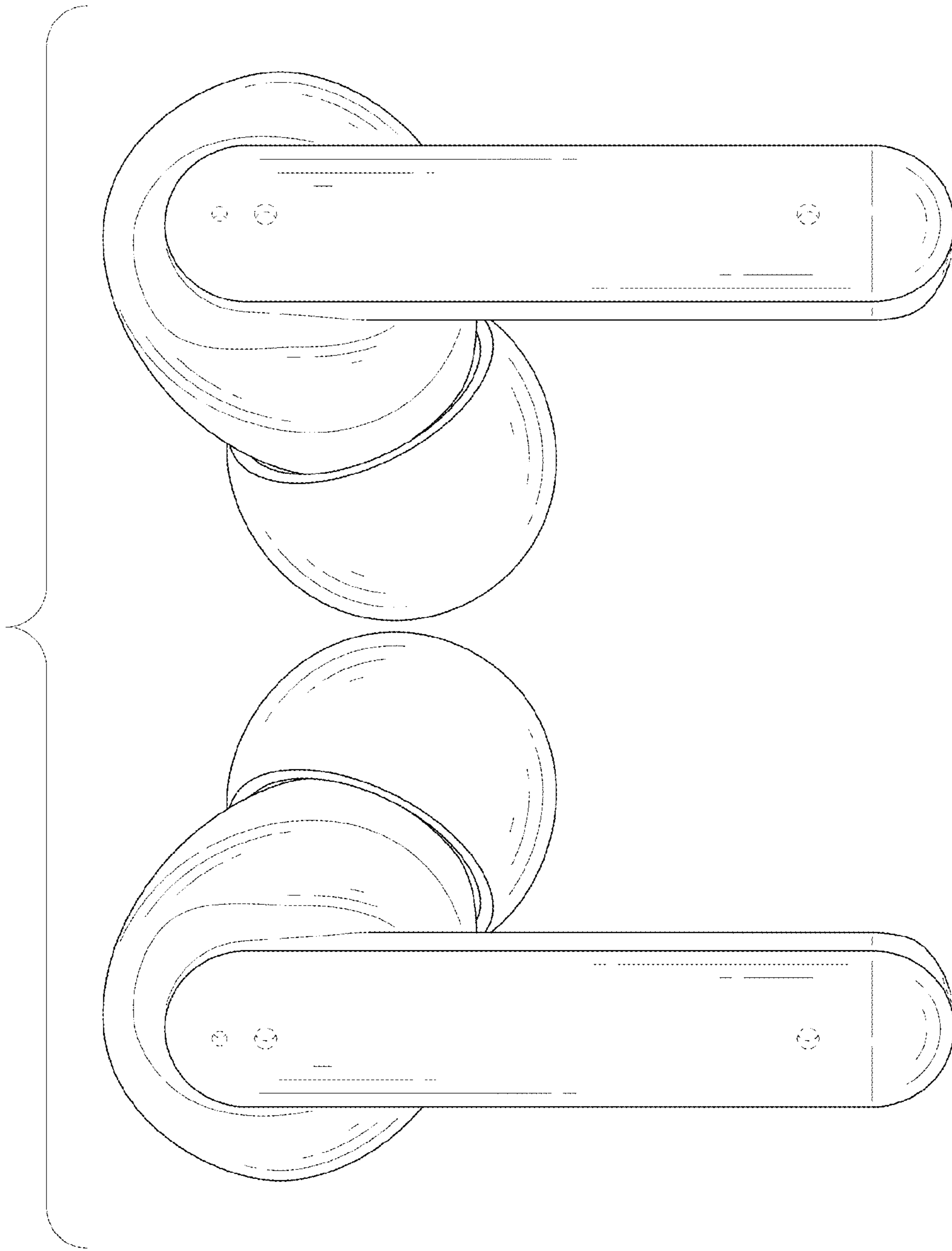


FIG. 4

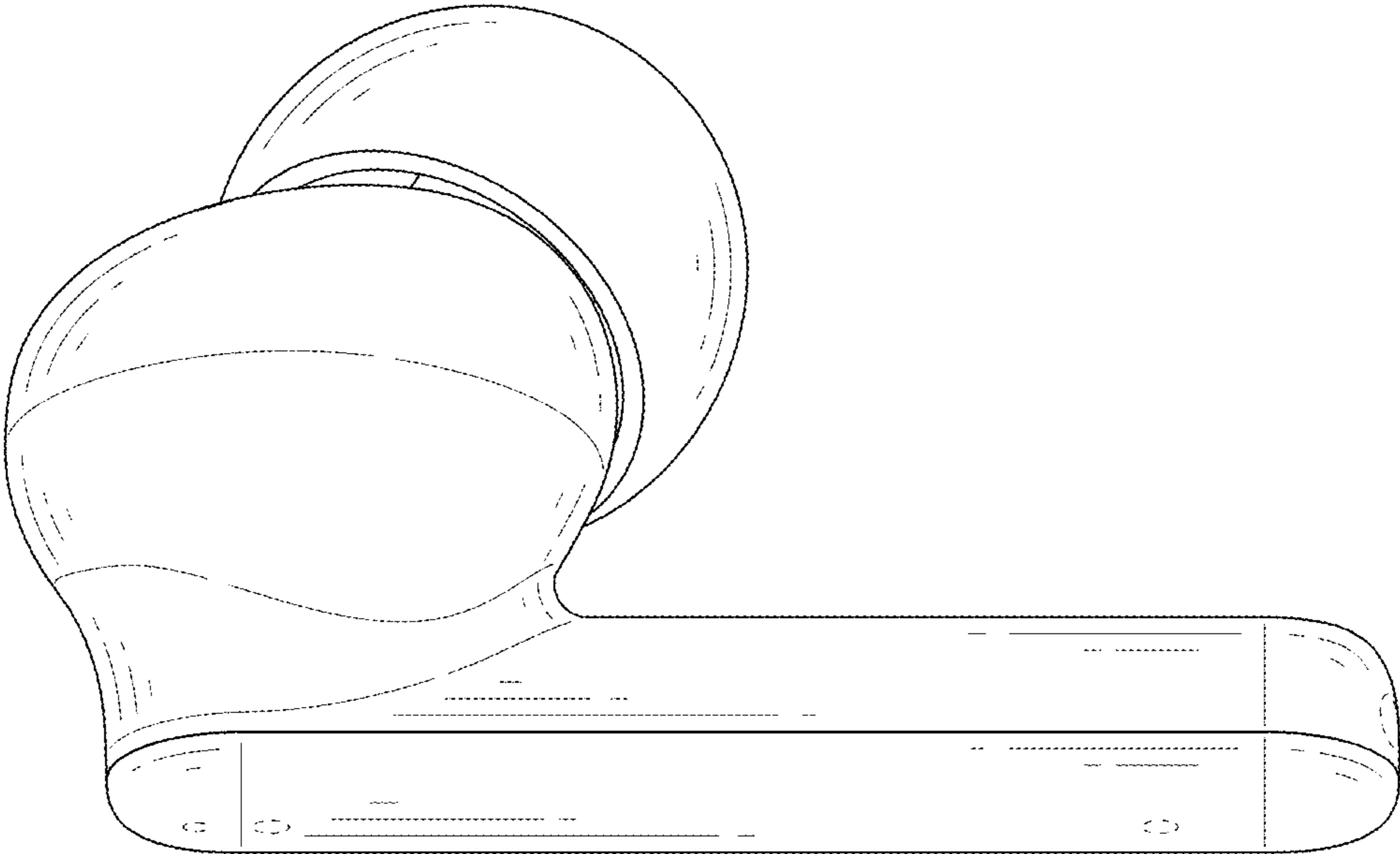


FIG. 5

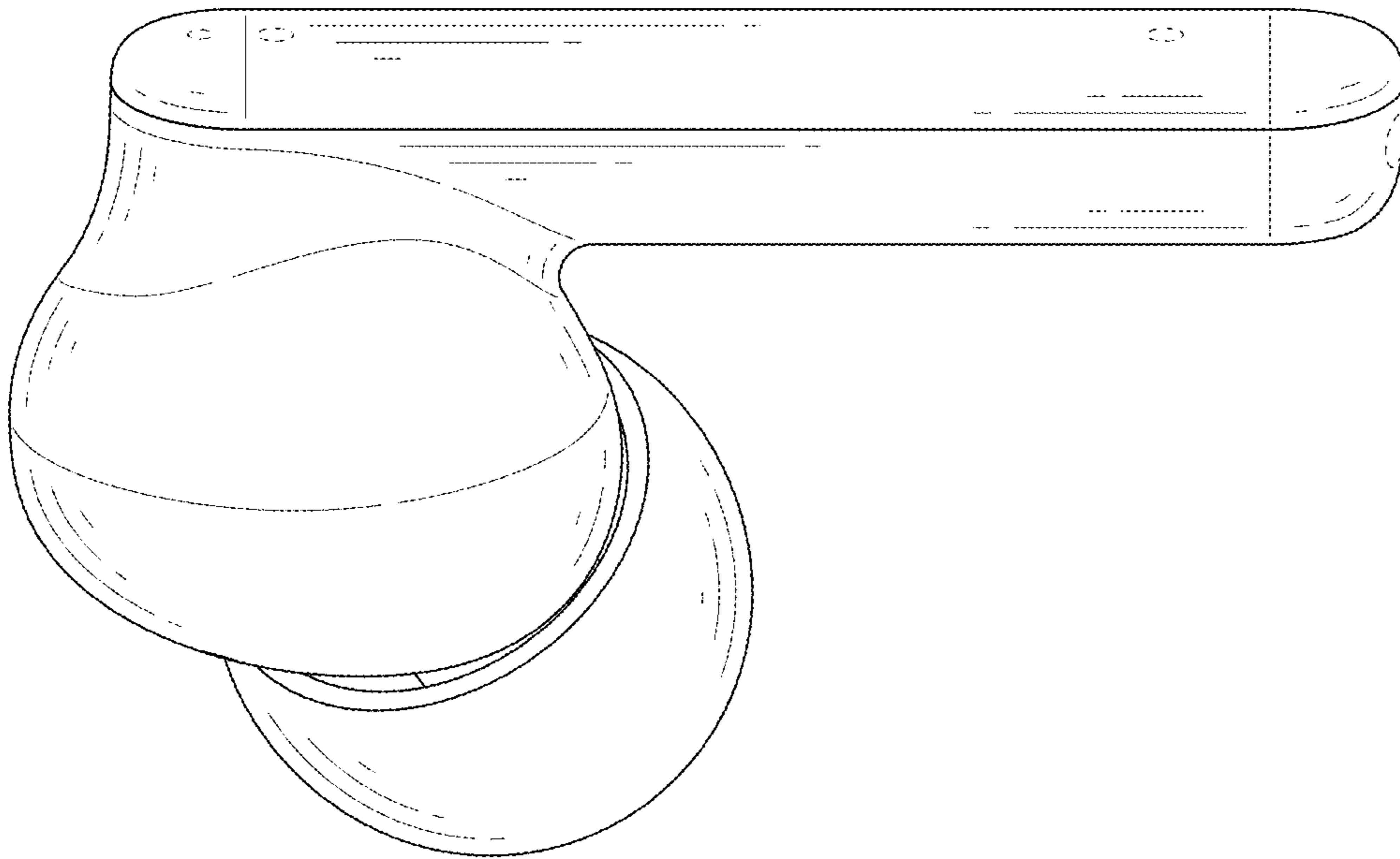


FIG. 6

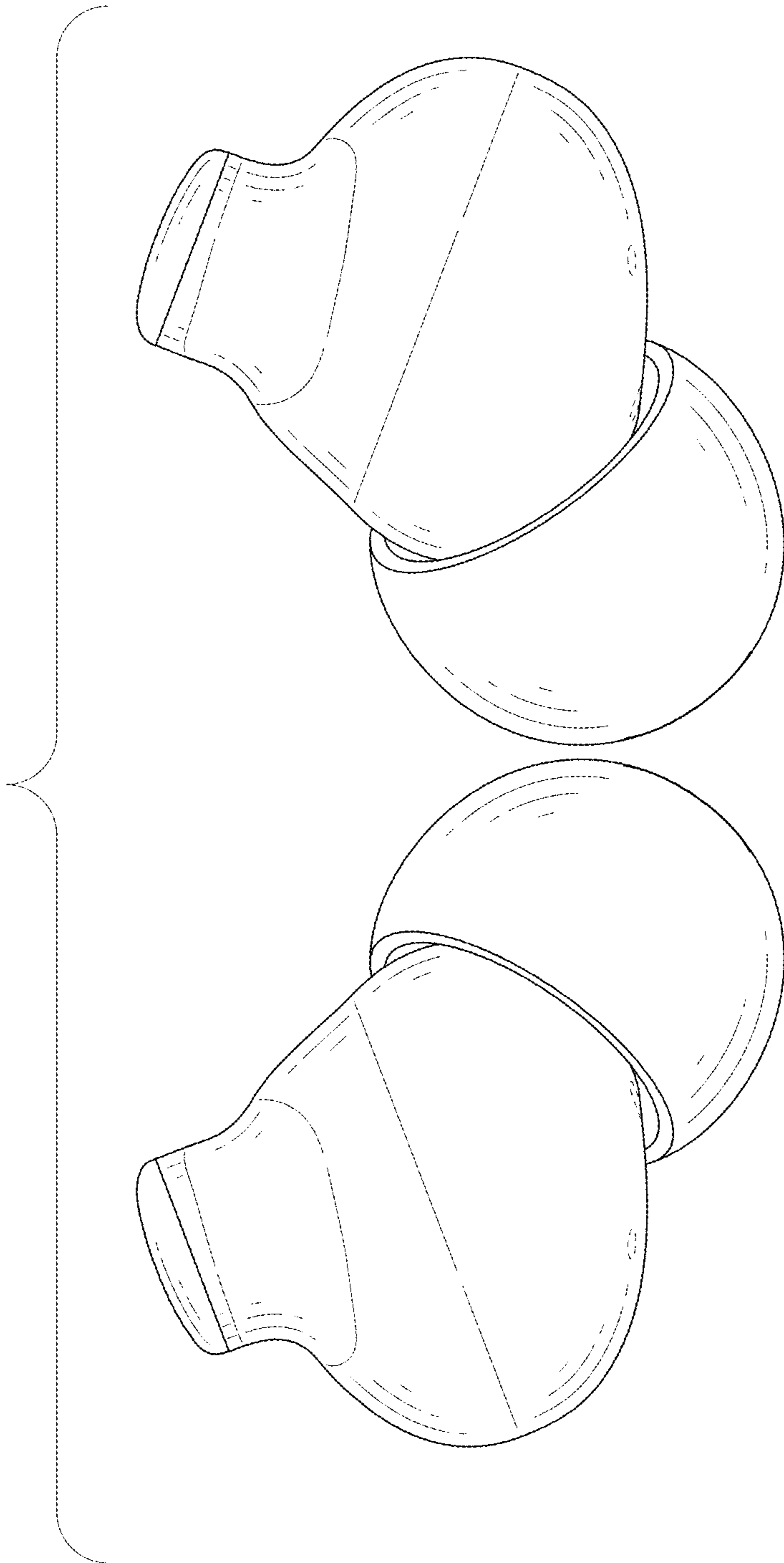


FIG. 7

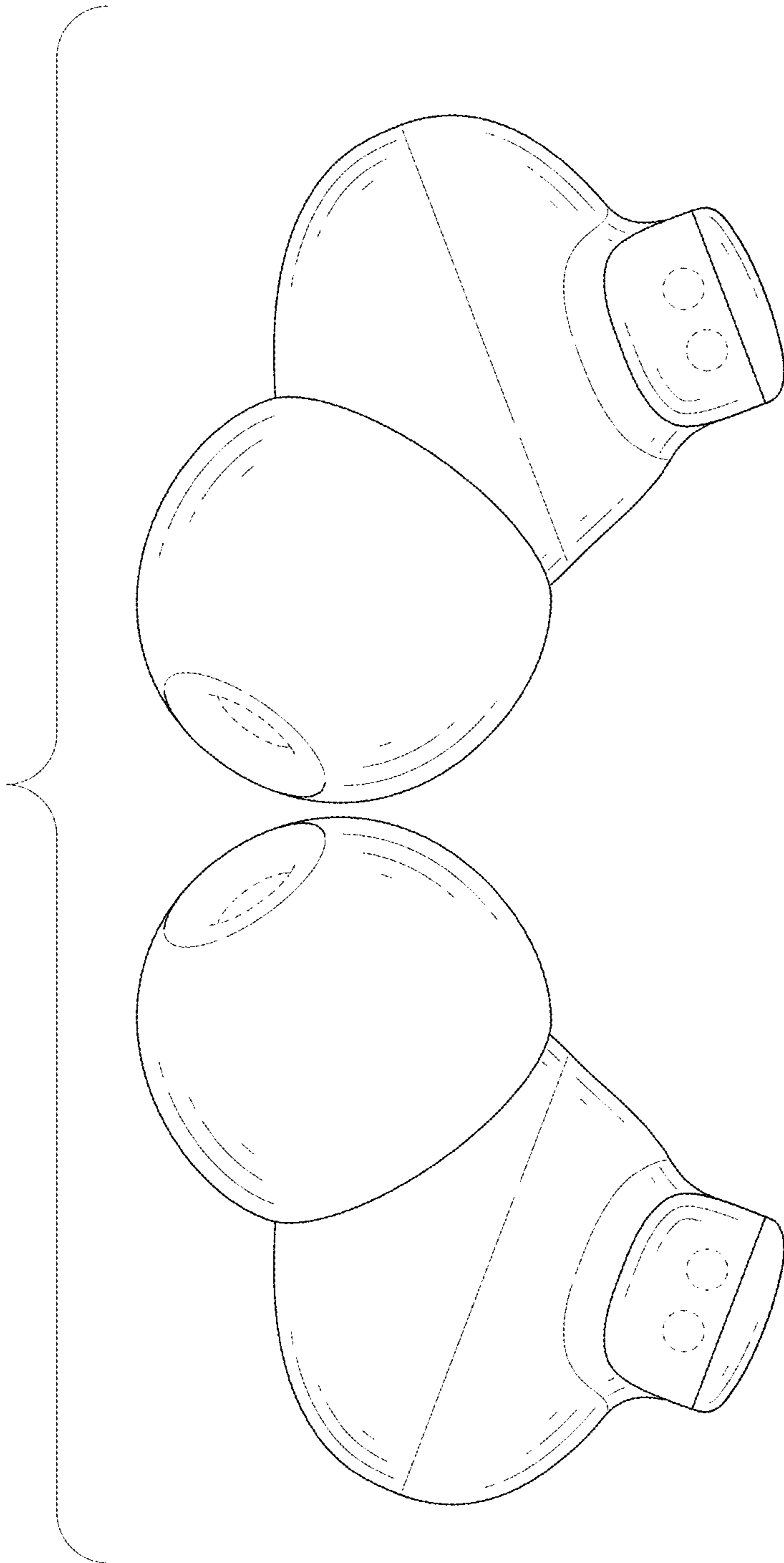


FIG. 8

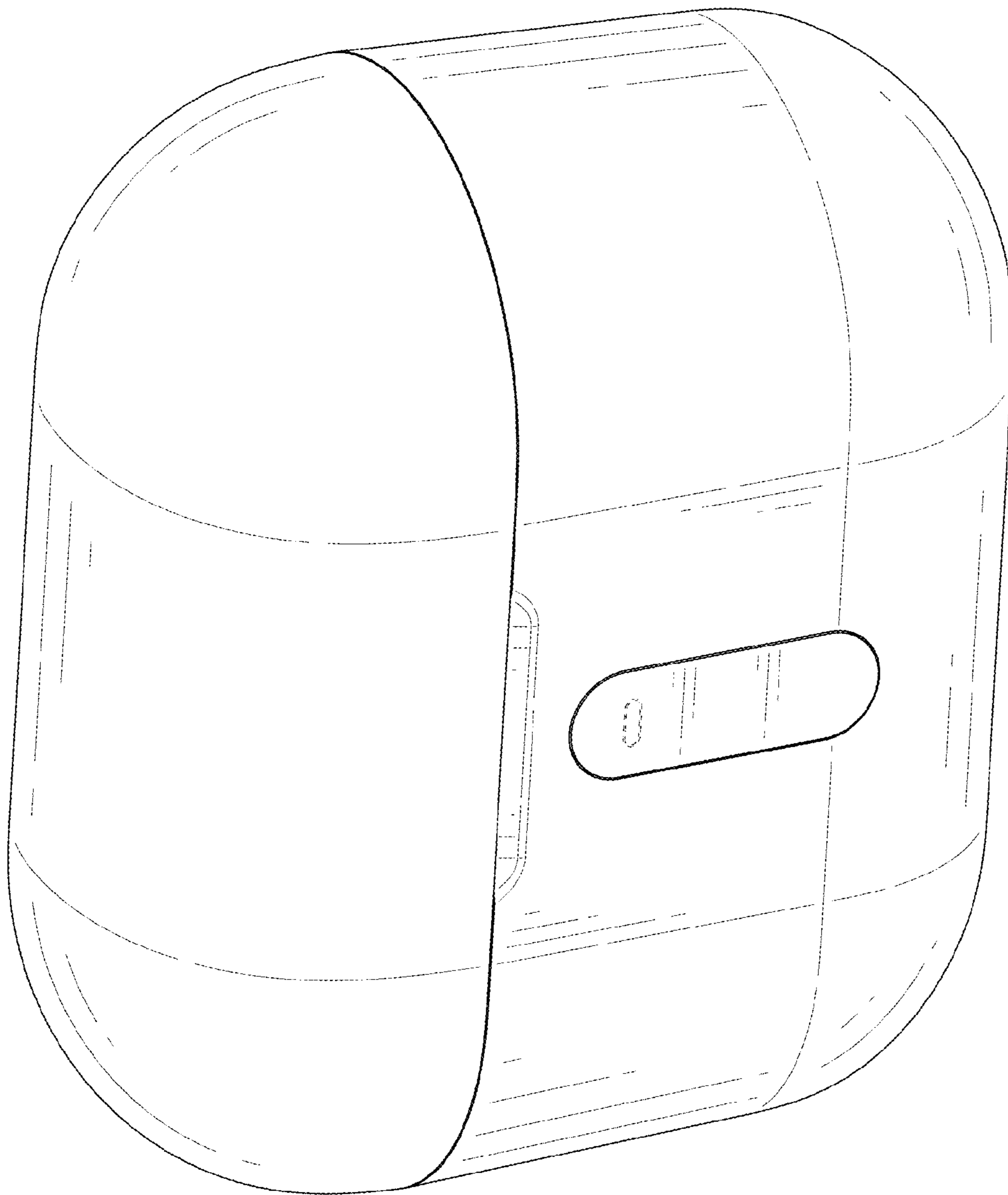


FIG. 9

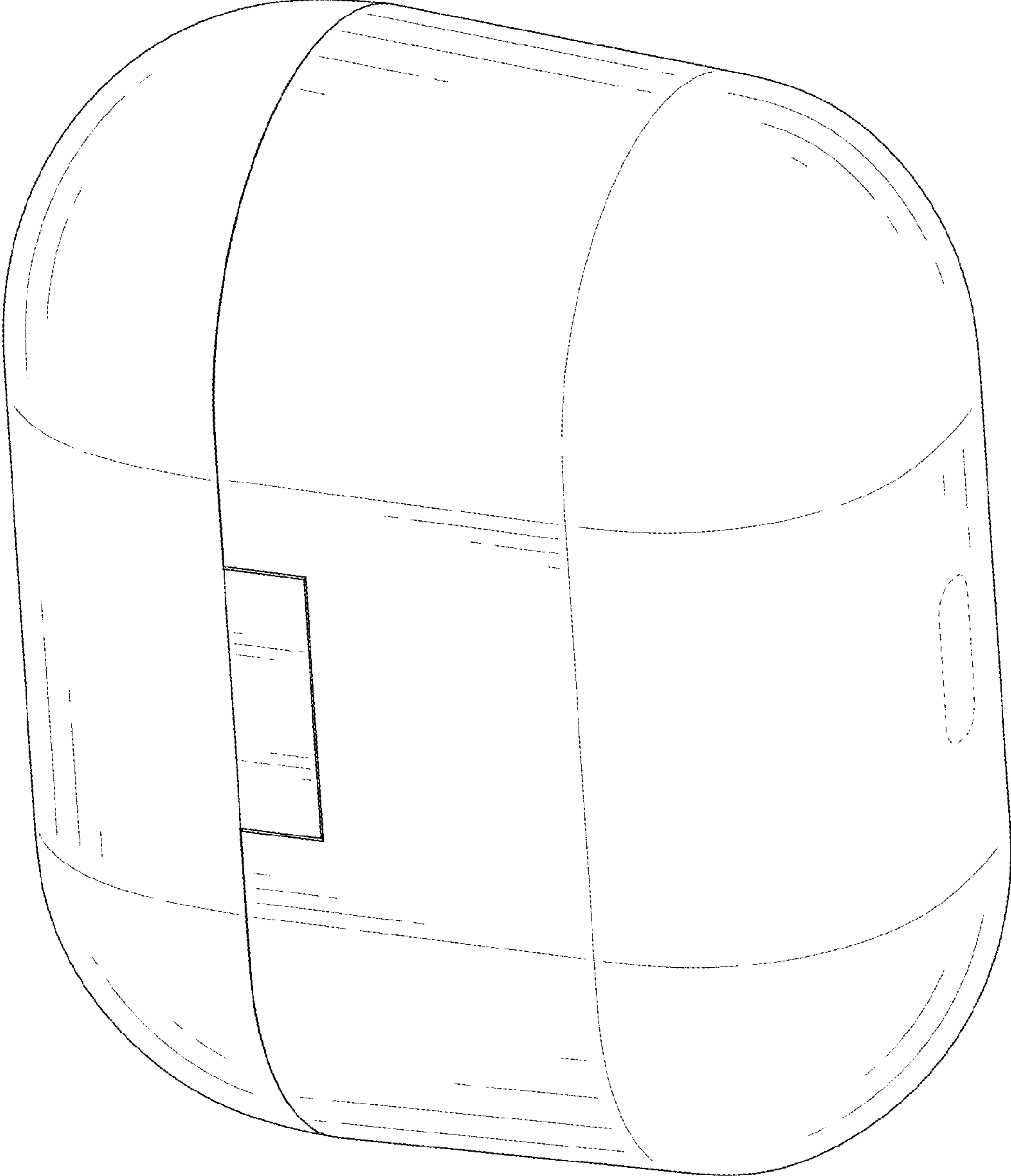


FIG. 10

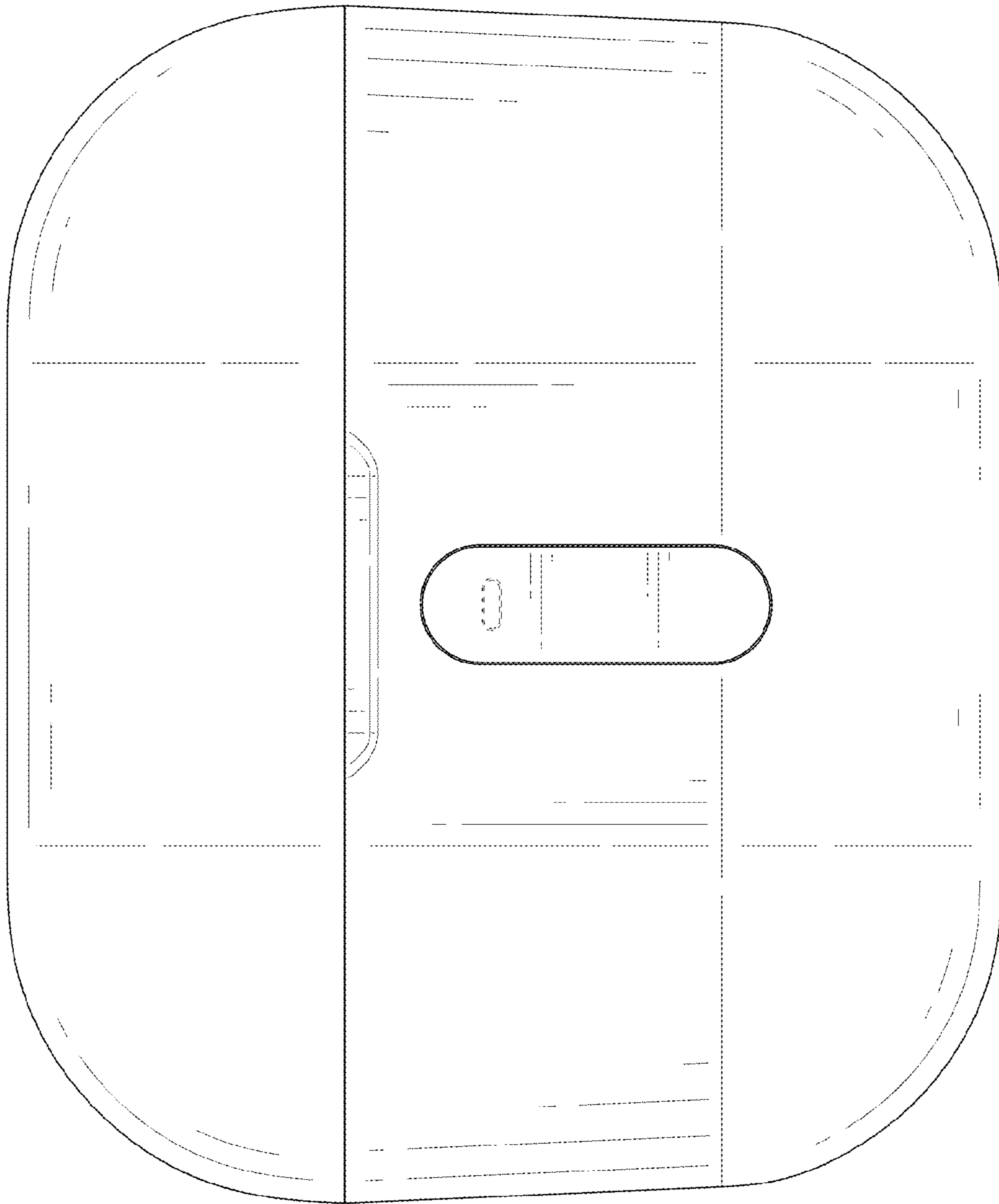


FIG. 11

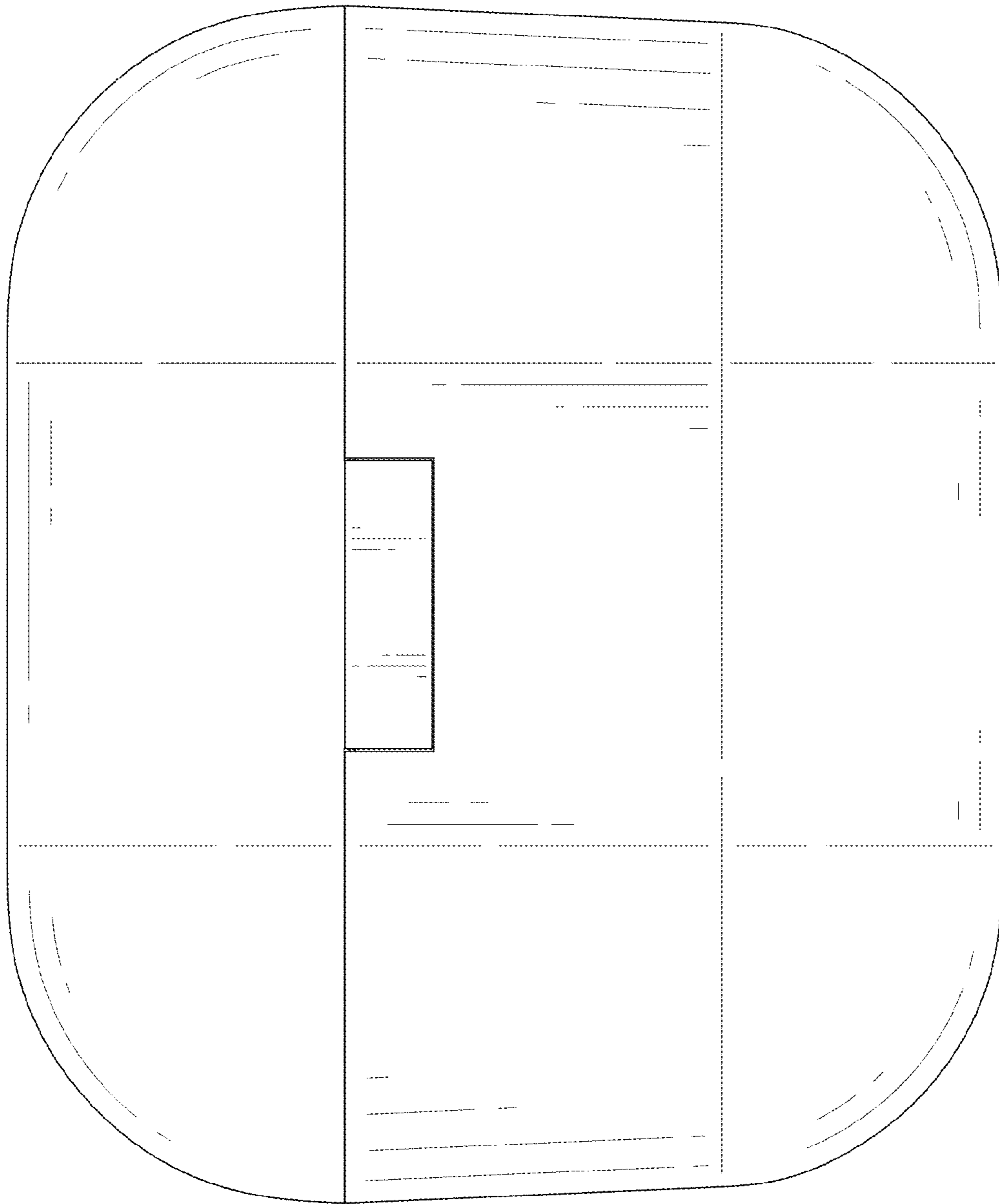


FIG. 12

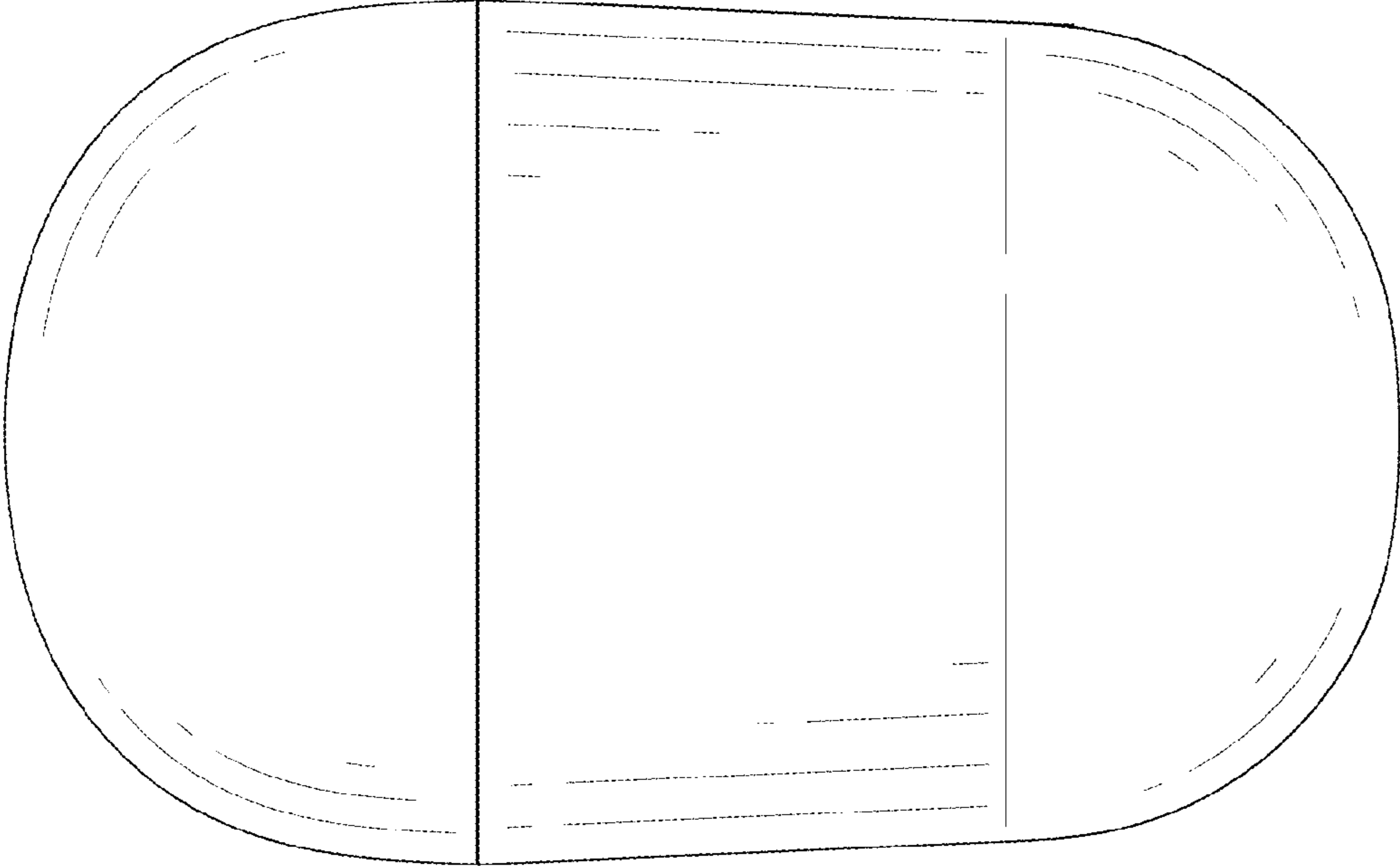


FIG. 13

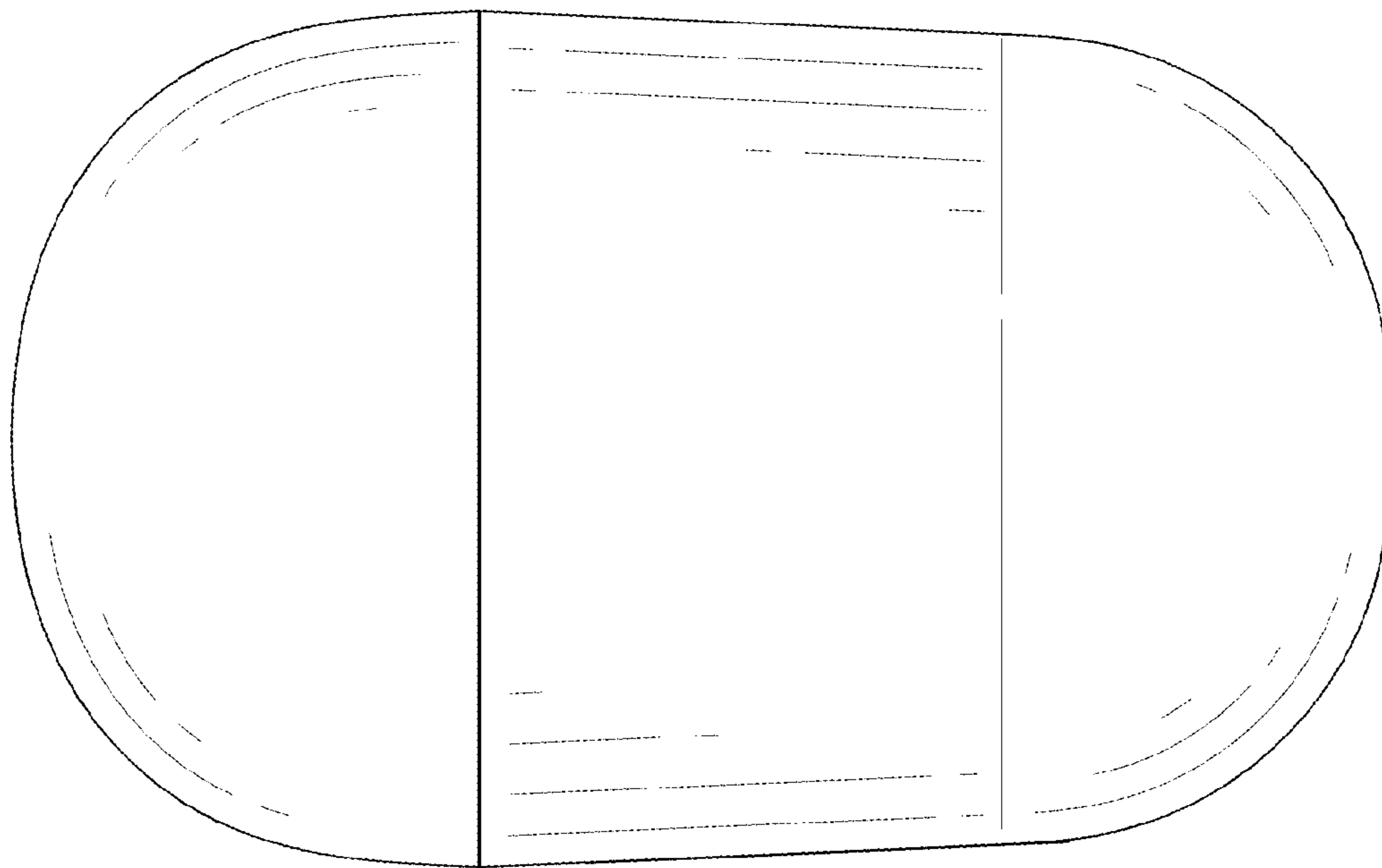


FIG. 14

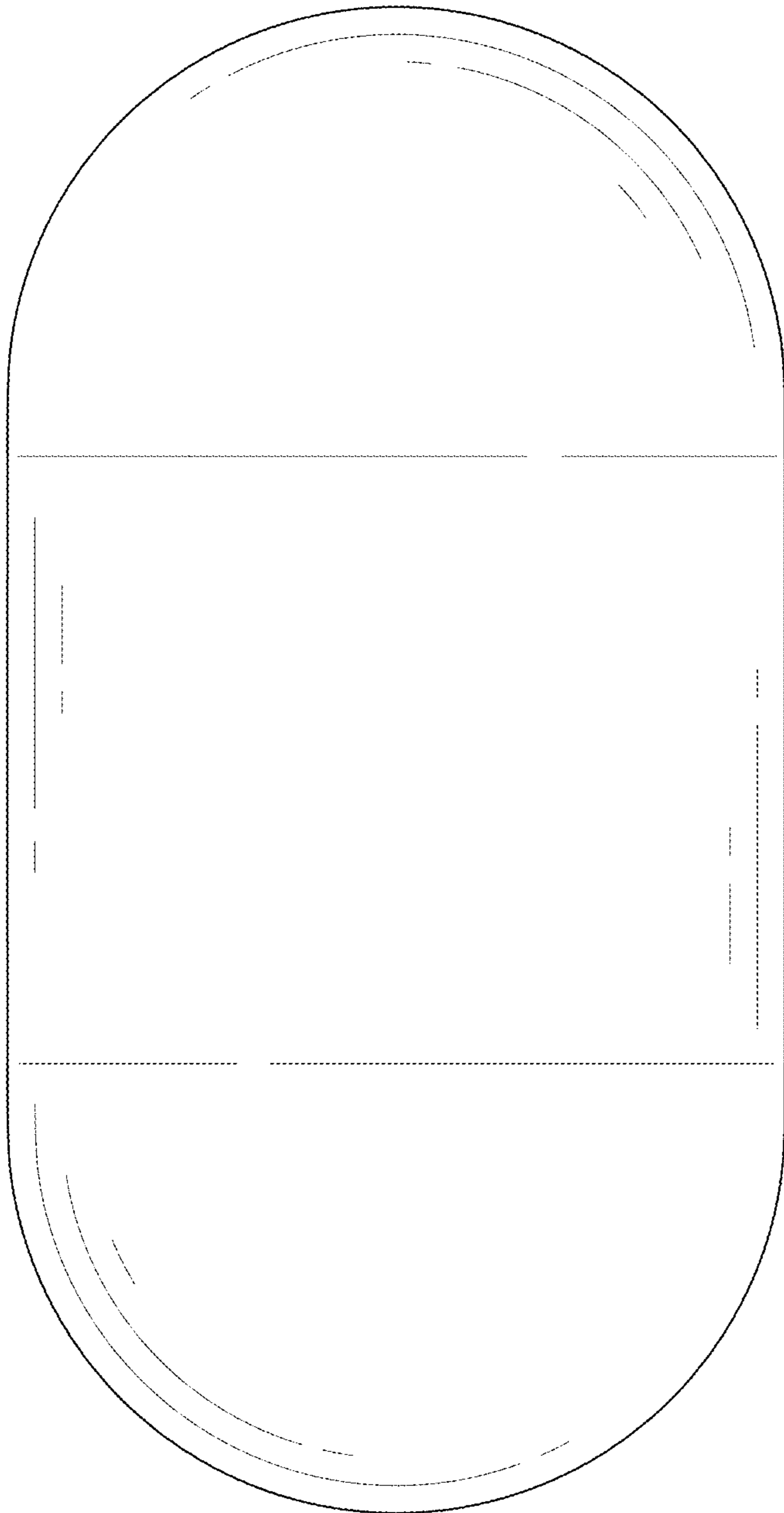


FIG. 15

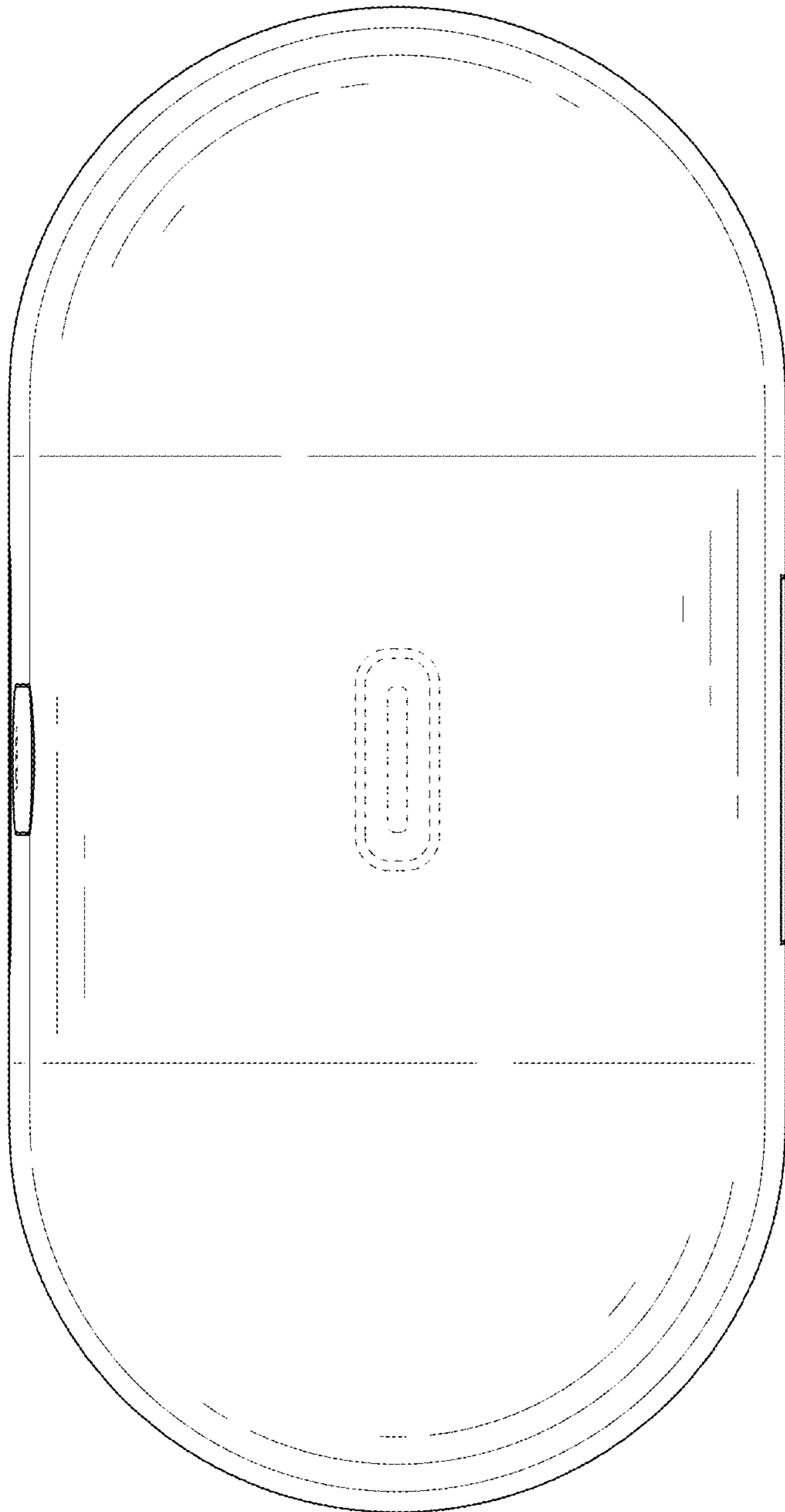


FIG. 16

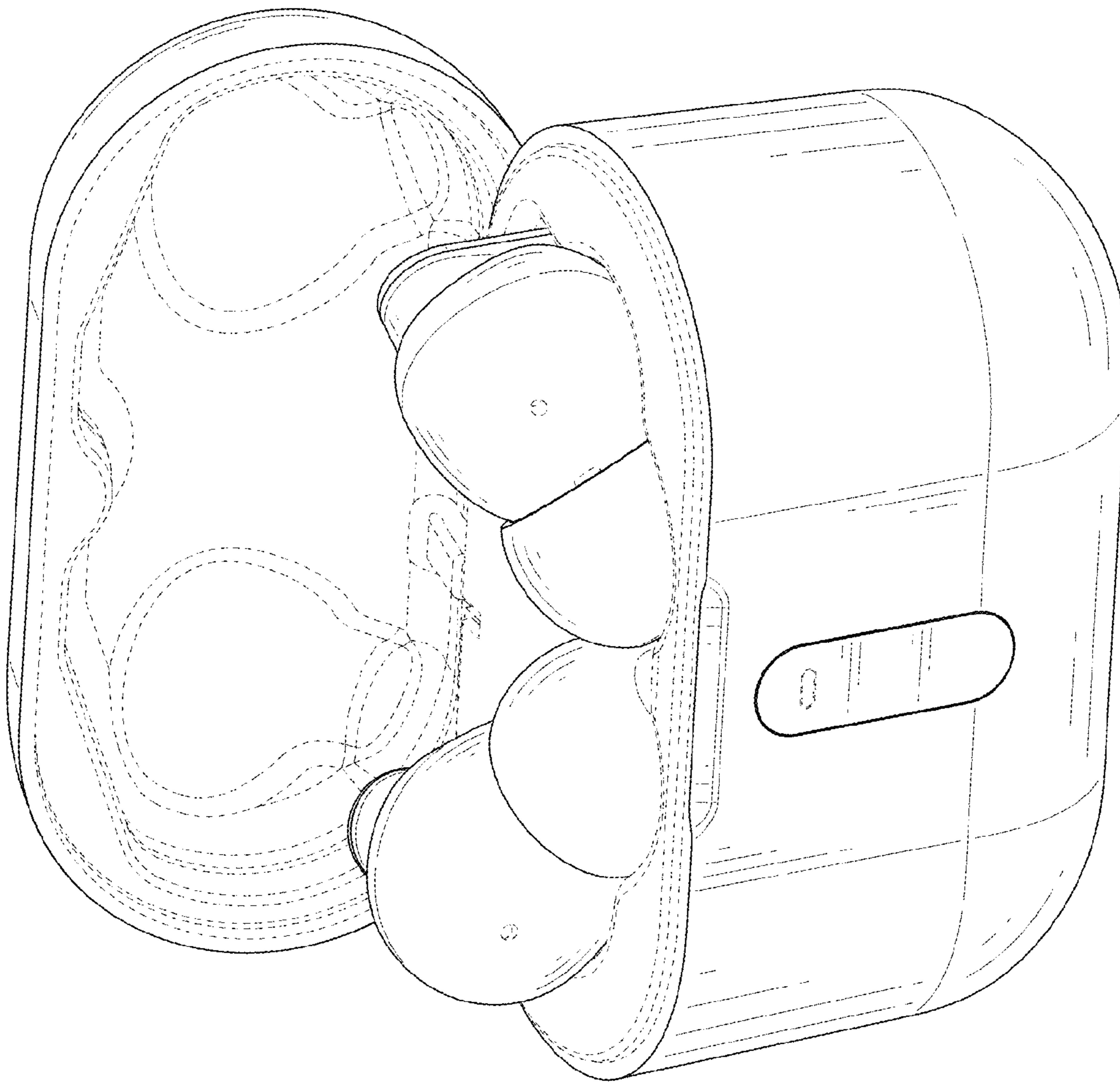


FIG. 17