



US00D895580S

(12) **United States Design Patent** (10) **Patent No.:** **US D895,580 S**
Yu (45) **Date of Patent:** **** Sep. 8, 2020**

(54) **WIRELESS HEADSET**
(71) Applicant: **Shenzhen Keshengtong Electronics Co., Ltd., Shenzhen (CN)**
(72) Inventor: **Haibin Yu, Wugang (CN)**
(**) Term: **15 Years**
(21) Appl. No.: **29/690,409**
(22) Filed: **May 8, 2019**
(51) **LOC (12) Cl.** **14-01**
(52) **U.S. Cl.**
USPC **D14/223**
(58) **Field of Classification Search**
USPC D14/223, 205; D24/174; 381/380, 381, 381/322, 328; 455/90.3, 575.1, 569.1; 128/864, 865, 866
CPC H04R 1/10; H04R 25/00; H04R 1/1016; H04R 1/1066; H04R 5/033; H04R 5/0335; H04R 25/02
See application file for complete search history.

D719,139 S * 12/2014 Henry D14/223
D733,103 S * 6/2015 Jeong D14/224
D742,861 S * 11/2015 Miyake D14/223
9,198,800 B2 * 12/2015 Killion H04R 1/1041
D764,445 S * 8/2016 Czaniecki D14/223
D777,710 S * 1/2017 Palmborg D14/223
D778,267 S * 2/2017 Hsieh D14/223
D781,269 S * 3/2017 Choe D14/223
D789,909 S * 6/2017 Hung D14/223
D795,225 S * 8/2017 Sumii D14/223

(Continued)

FOREIGN PATENT DOCUMENTS

EM 007015300-0002 * 10/2019
EM 007456785-0001 * 12/2019
EM 007833553-0001 * 4/2020

Primary Examiner — Paula Allen Greene

(74) *Attorney, Agent, or Firm* — ZANIP

(57) **CLAIM**

The ornamental design for a wireless headset, as shown and described.

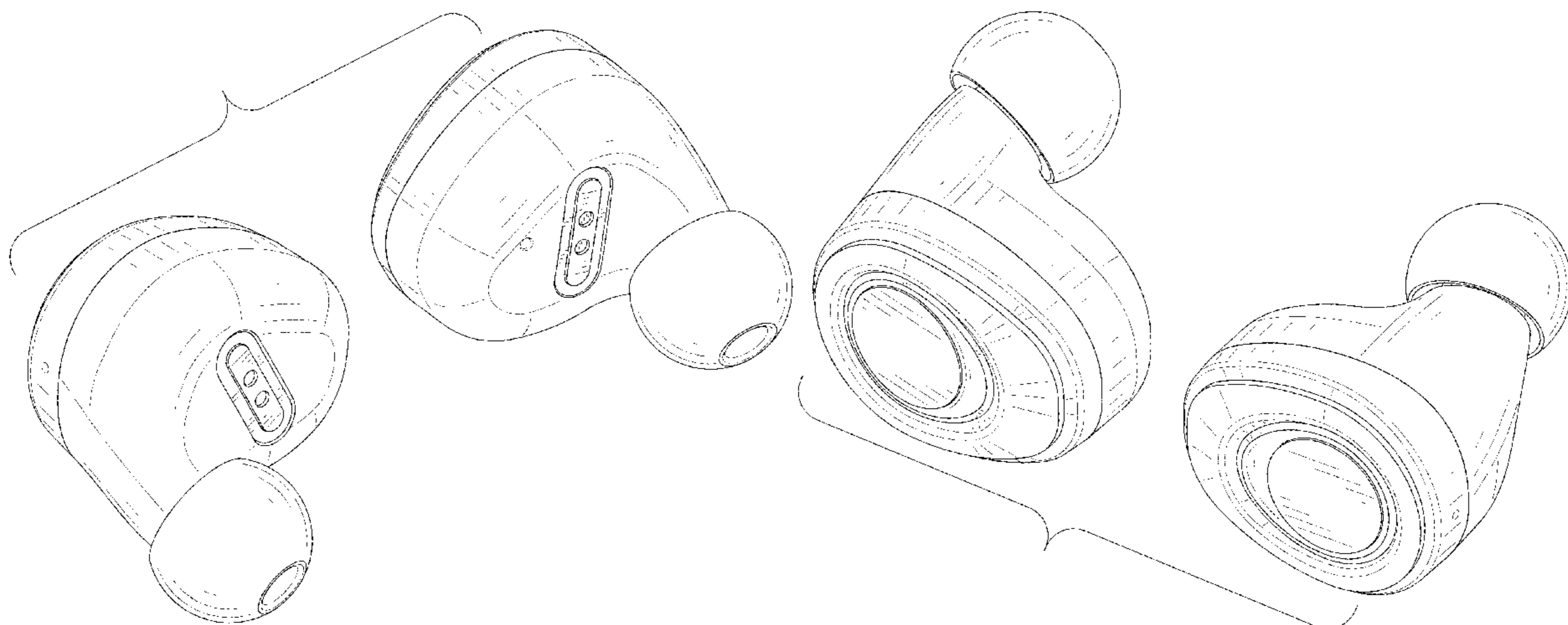
DESCRIPTION

FIG. 1 is a first perspective view of a wireless headset showing my design;
FIG. 2 is a second perspective view thereof;
FIG. 3 is a front view thereof;
FIG. 4 is a back view thereof;
FIG. 5 is a left side view thereof, shown separately for purposes of illustration;
FIG. 6 is a right side view thereof, shown separately for purposes of illustration;
FIG. 7 is a top view thereof; and,
FIG. 8 is a bottom view thereof.

The broken lines shown in the drawing depict portions of the wireless headset in which the design is embodied, that are for illustrative purposes only and that form no part of the claimed design.

1 Claim, 8 Drawing Sheets

(56) **References Cited**
U.S. PATENT DOCUMENTS
D207,206 S * 3/1967 Geib D24/174
D287,764 S * 1/1987 Topholm D24/174
D417,665 S * 12/1999 Isonaga D14/408
6,493,453 B1 * 12/2002 Glendon H04R 23/008
381/322
D533,868 S * 12/2006 Koizumi D14/223
D568,304 S * 5/2008 Park D14/240
D599,785 S * 9/2009 Matsuda D14/205
D632,677 S * 2/2011 Brown D14/223
D666,581 S * 9/2012 Perez D14/223
D687,417 S * 8/2013 Koss D14/223
D705,760 S * 5/2014 Drambarean H04R 25/00
D14/223
8,831,266 B1 * 9/2014 Huang H04R 1/2811
381/380
D718,286 S * 11/2014 Yang D14/223



(56)

References Cited

U.S. PATENT DOCUMENTS

| | | | | | | |
|--------------|----|---|---------|--------------|-------|------------------------|
| D795,835 | S | * | 8/2017 | Nagamine | | D14/205 |
| D800,097 | S | * | 10/2017 | Chen | | D14/223 |
| D806,879 | S | * | 1/2018 | Horbinski | | D24/174 |
| D810,054 | S | * | 2/2018 | Yuan | | D14/223 |
| D813,205 | S | * | 3/2018 | Palmborg | | D14/223 |
| D817,309 | S | * | 5/2018 | Czaniecki | | D14/223 |
| D826,211 | S | * | 8/2018 | Kim | | D14/206 |
| D841,626 | S | * | 2/2019 | Tang | | D14/223 |
| D845,932 | S | * | 4/2019 | Lu | | D14/223 |
| D846,532 | S | * | 4/2019 | Xiao | | D14/223 |
| D852,783 | S | * | 7/2019 | Hueber | | D14/223 |
| D858,488 | S | * | 9/2019 | Zheng | | D14/223 |
| D858,489 | S | * | 9/2019 | Hu | | D14/223 |
| D862,422 | S | * | 10/2019 | Lindenberger | | D14/223 |
| D863,263 | S | * | 10/2019 | Yu | | D14/223 |
| D864,167 | S | * | 10/2019 | Wu | | D14/223 |
| D868,752 | S | * | 12/2019 | Zhu | | D14/223 |
| D869,443 | S | * | 12/2019 | Sumii | | D14/223 |
| D870,707 | S | * | 12/2019 | Yang | | D14/223 |
| D871,376 | S | * | 12/2019 | Zhou | | D14/223 |
| D872,063 | S | * | 1/2020 | Arimoto | | D14/223 |
| D879,074 | S | * | 3/2020 | Komiya | | D14/223 |
| D880,457 | S | * | 4/2020 | Zhu | | D14/223 |
| D884,681 | S | * | 5/2020 | Zhang | | D14/223 |
| D885,372 | S | * | 5/2020 | Wang | | D14/223 |
| D887,395 | S | * | 6/2020 | Wang | | D14/223 |
| D889,441 | S | * | 7/2020 | Lin | | D14/223 |
| D890,727 | S | * | 7/2020 | Park | | D14/223 |
| 2012/0114160 | A1 | * | 5/2012 | Lin | | H04R 1/1091 381/380 |

* cited by examiner

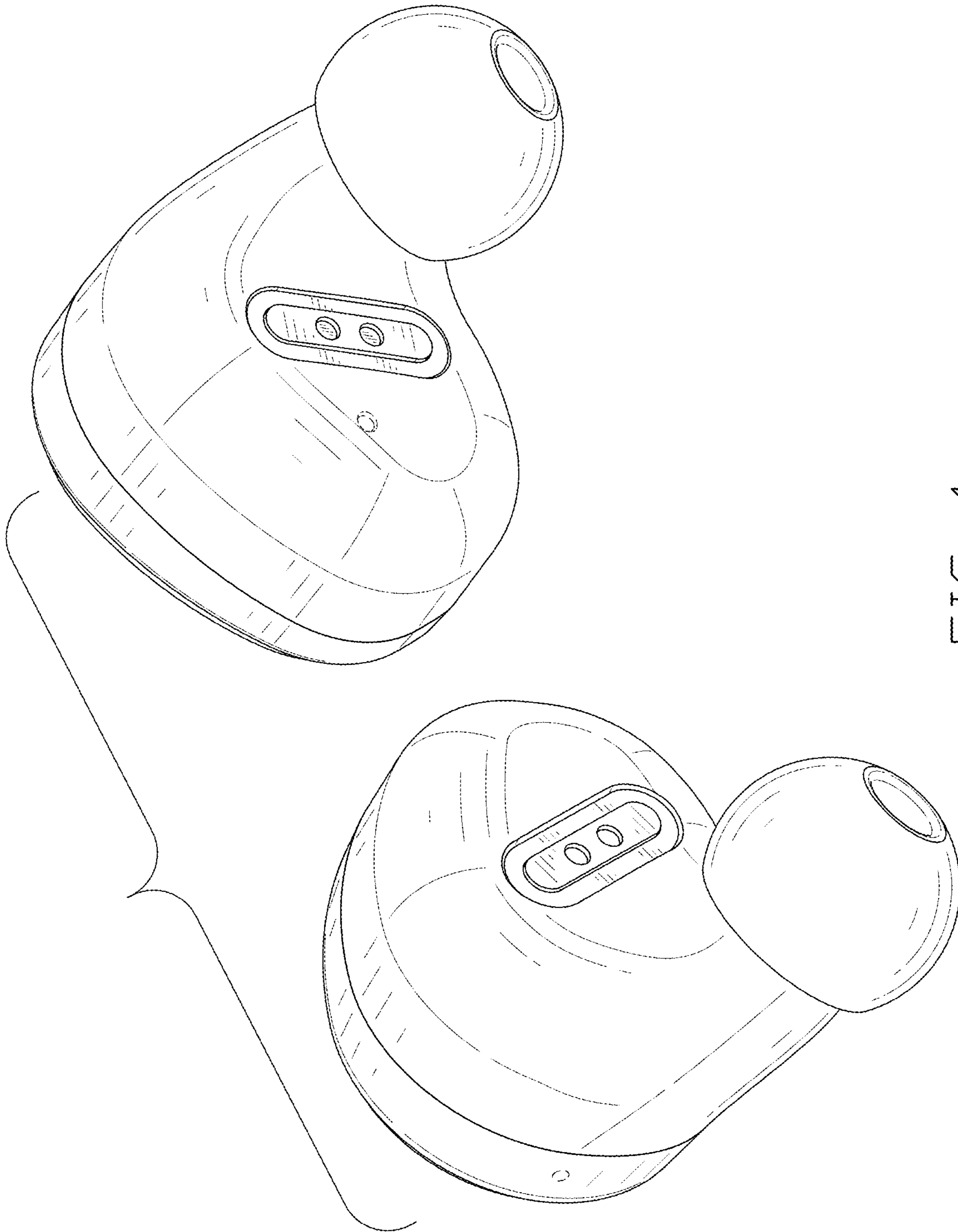


FIG. 1

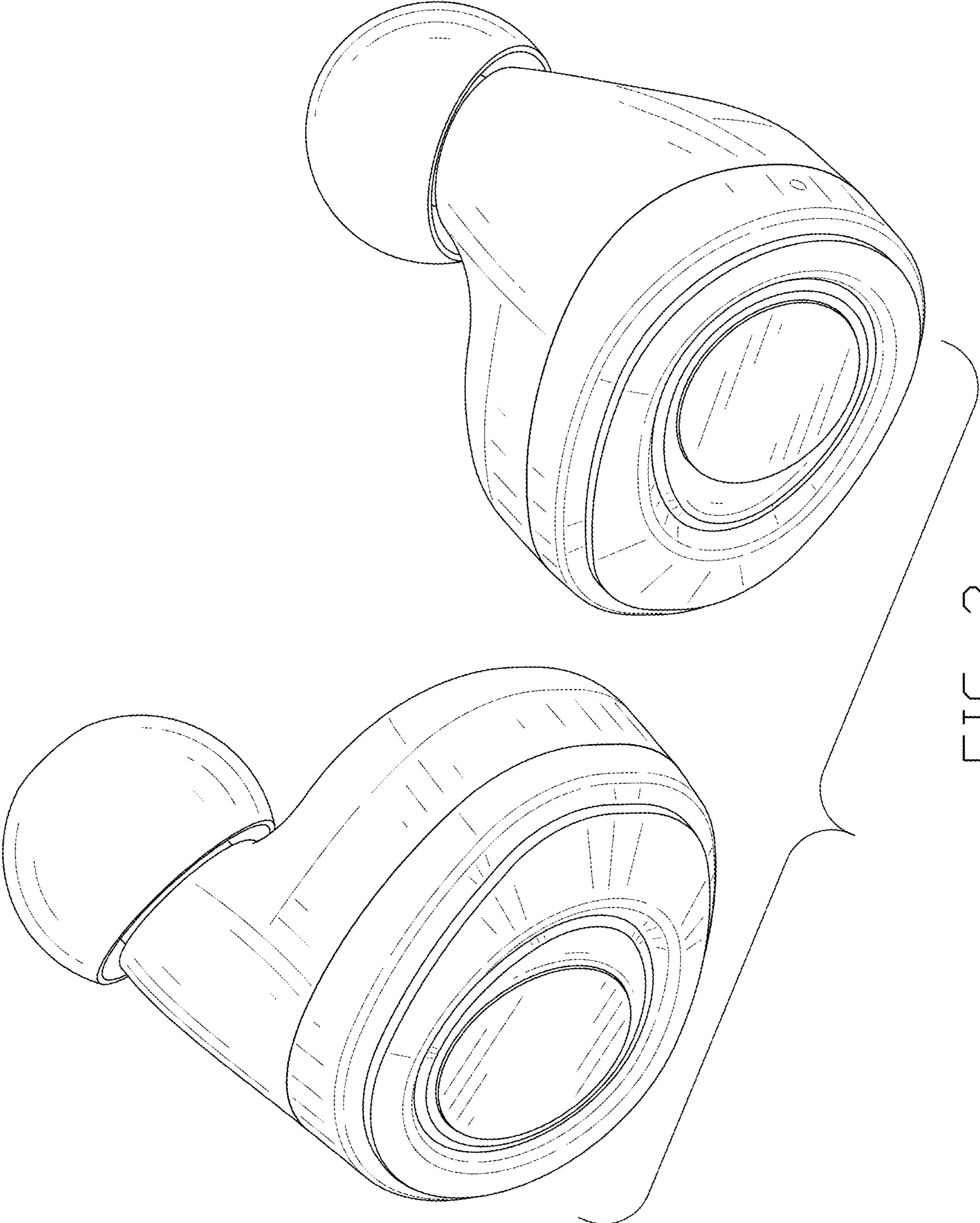


FIG. 2

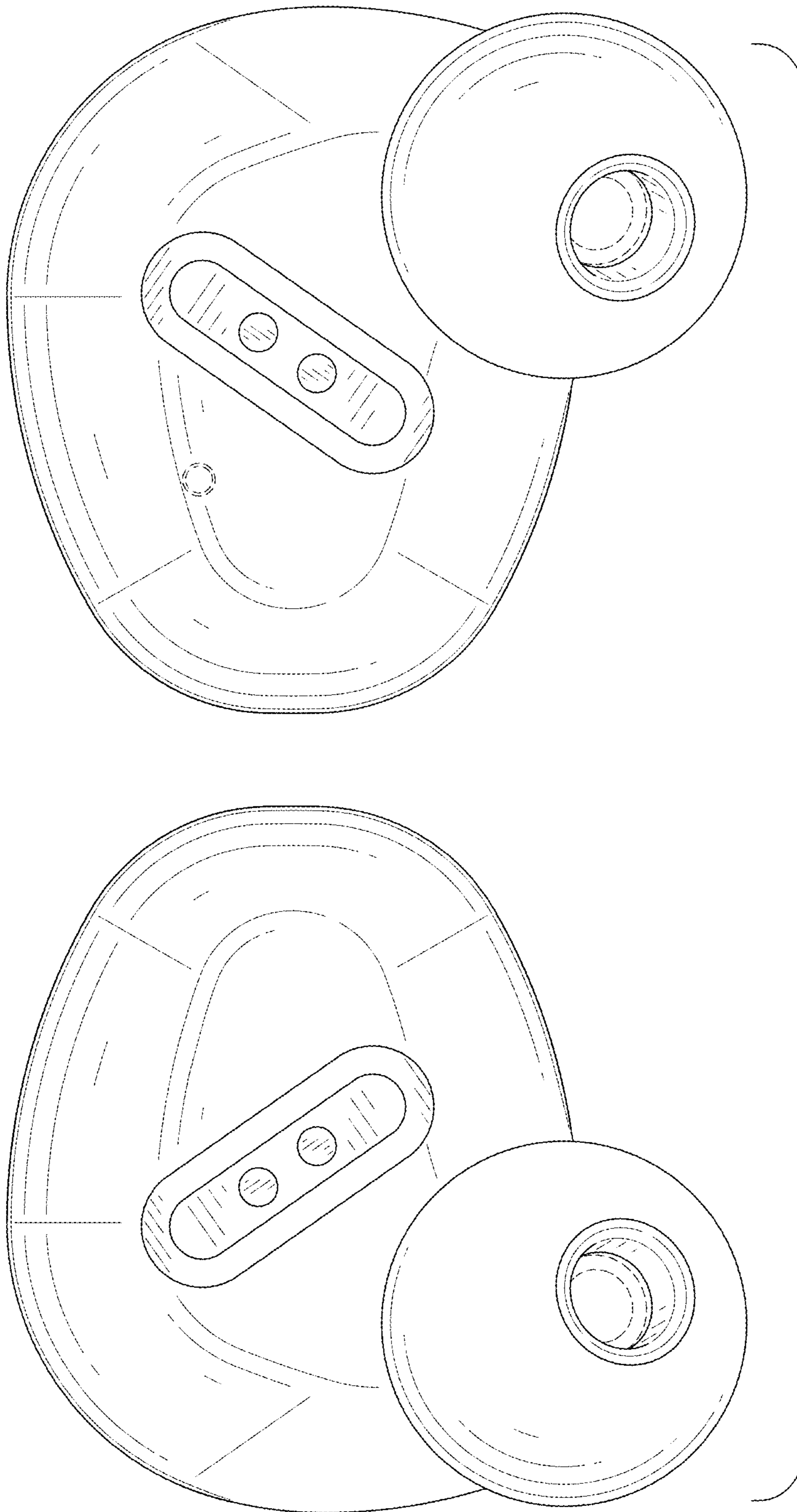


FIG. 3

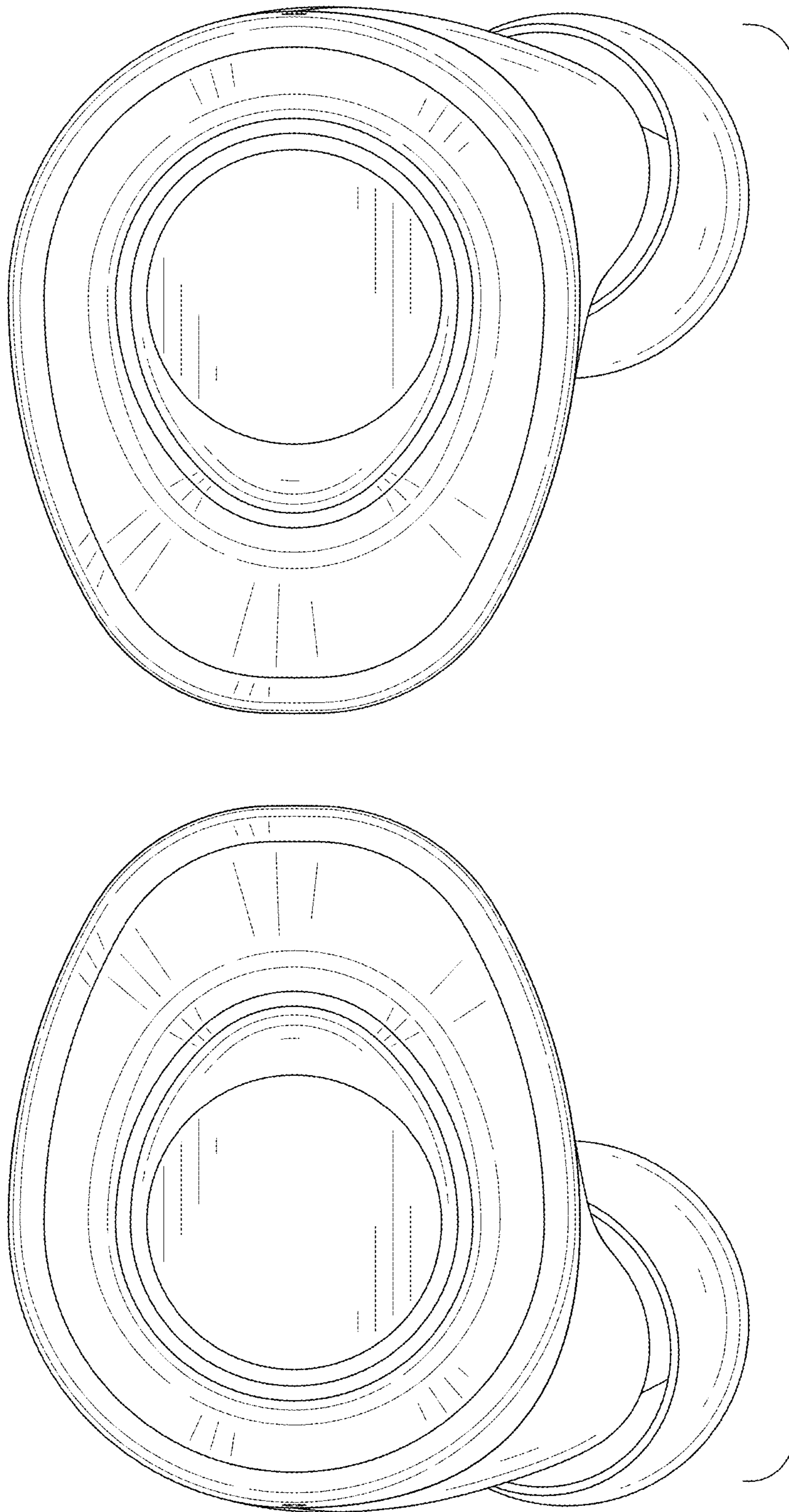


FIG. 4

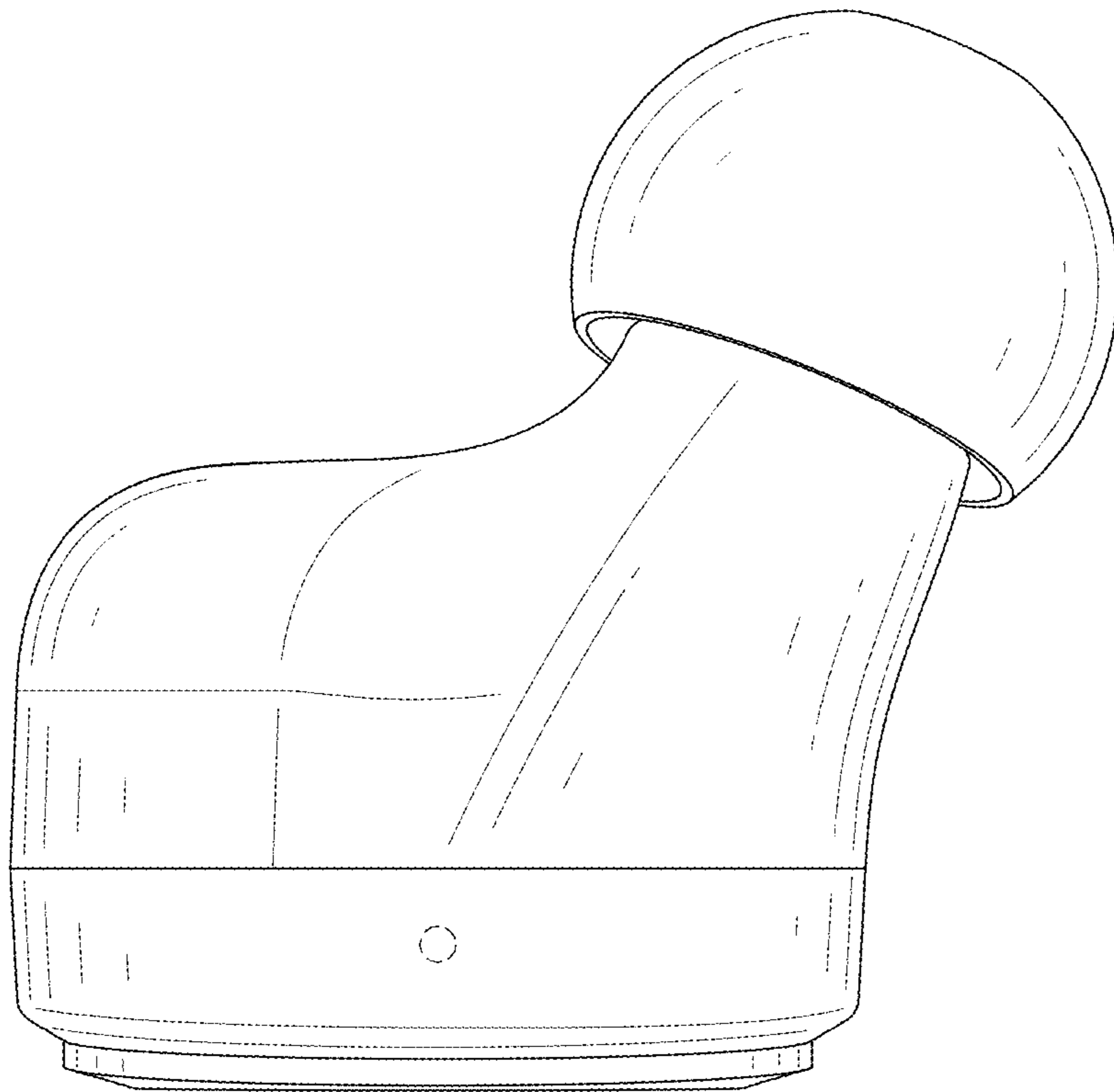


FIG. 5

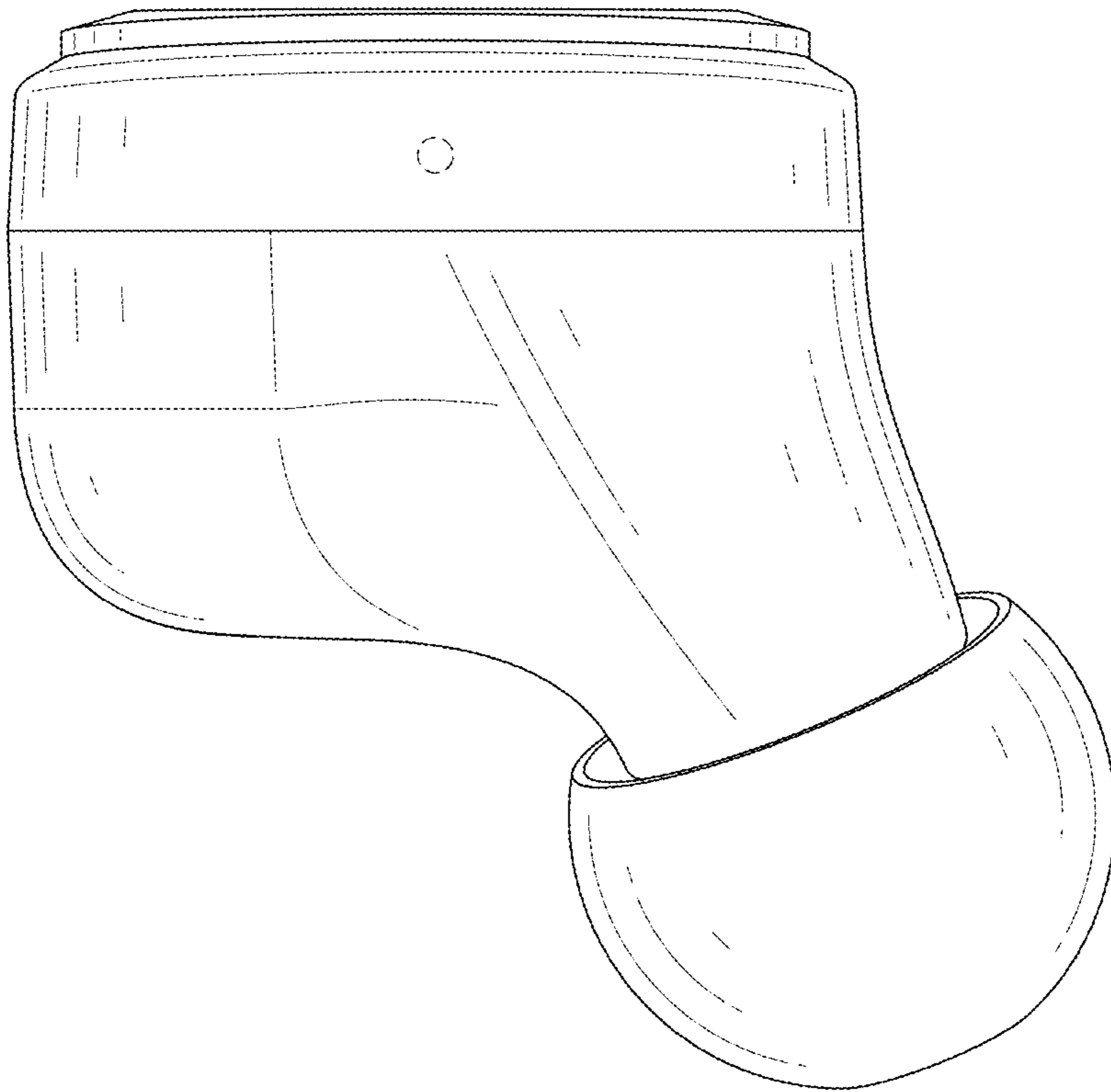


FIG. 6

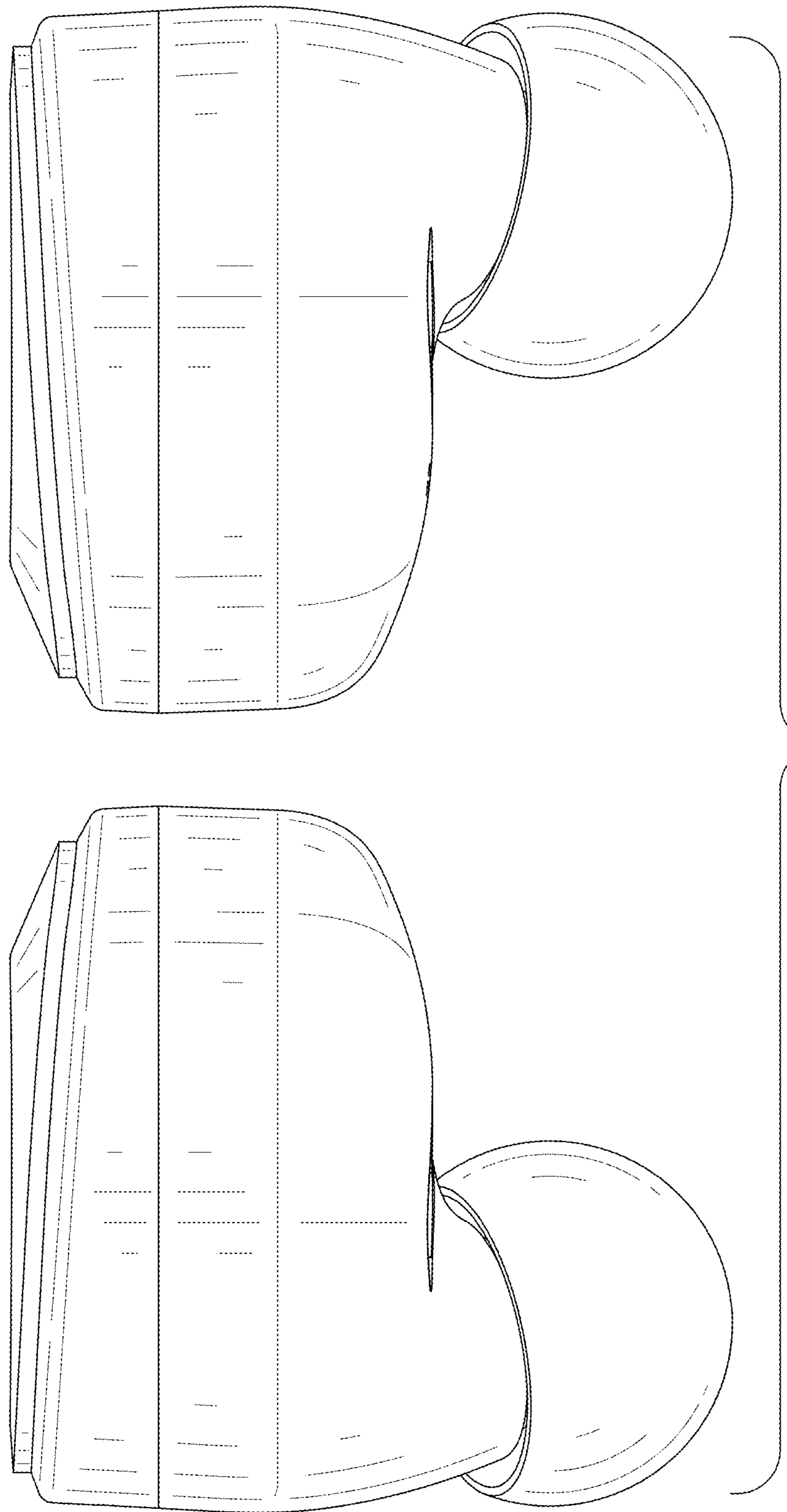


FIG. 7

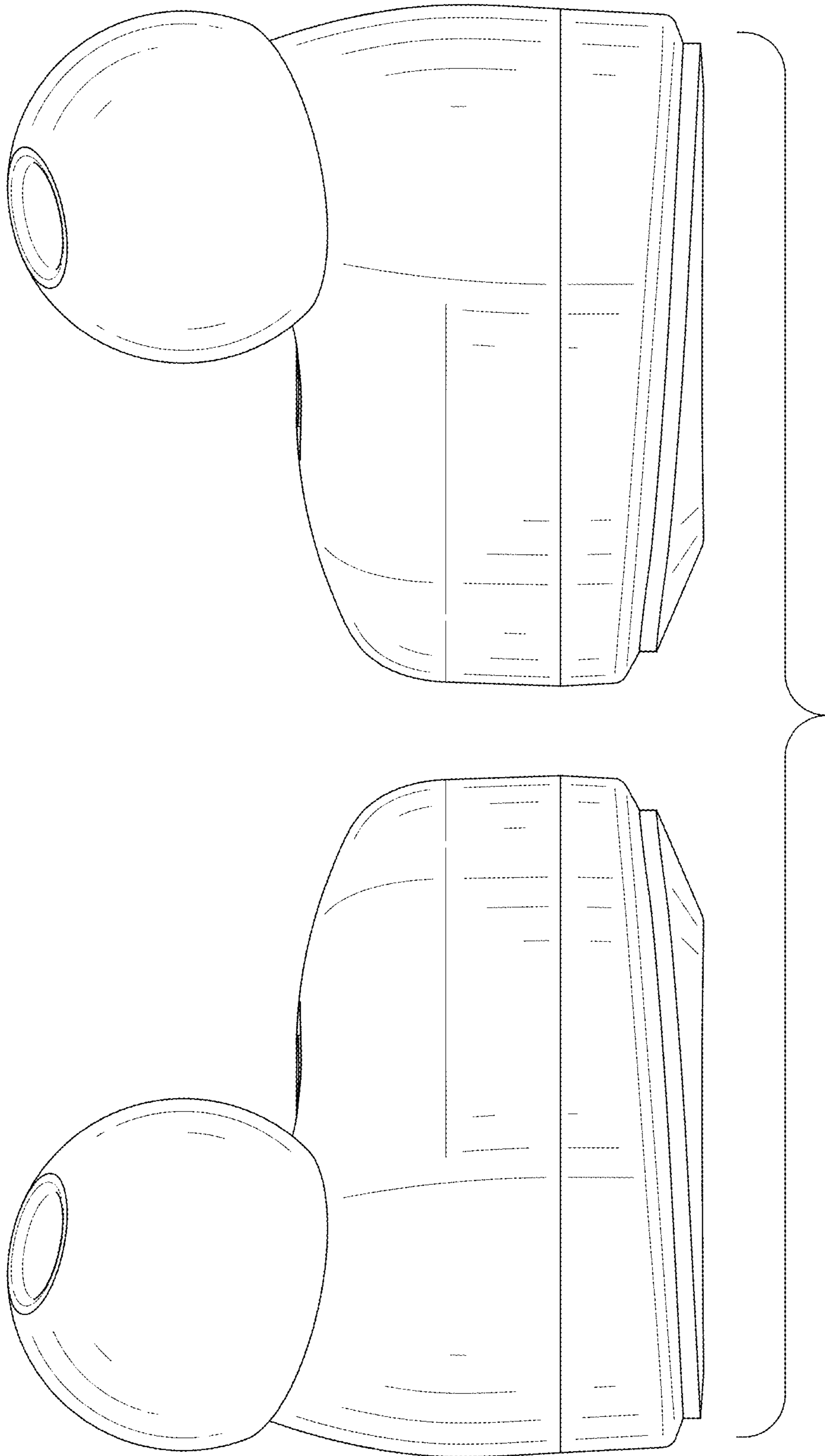


FIG. 8