



US00D895579S

(12) **United States Design Patent**
Yang

(10) **Patent No.:** **US D895,579 S**

(45) **Date of Patent:** **** Sep. 8, 2020**

- (54) **WIRELESS EARBUD**
- (71) Applicant: **Shenzhen Ginto E-Commerce Co., Limited**, Shenzhen (CN)
- (72) Inventor: **Yong Yang**, Shenzhen (CN)
- (73) Assignee: **SHENZHEN GINTO E-COMMERCE CO., LIMITED**, Shenzhen (CN)
- (**) Term: **15 Years**
- (21) Appl. No.: **29/690,218**
- (22) Filed: **May 7, 2019**
- (30) **Foreign Application Priority Data**

Apr. 30, 2019 (CN) 2019 3 0208837

- (51) **LOC (12) Cl.** **14-01**
- (52) **U.S. Cl.**
USPC **D14/223**
- (58) **Field of Classification Search**
USPC D14/223, 205; D24/106, 174; 128/864, 128/865, 866; D13/107, 108; 381/370, 381/384, 322, 323, 324; 455/90.3, 575.1, 455/569.1
CPC H04R 1/10; H04R 25/00; H04R 25/02; H04R 1/1066; H04R 1/1016; H04R 5/033; H04R 1/1058; H04R 1/105; H04R 1/1091; H04R 1/1083
See application file for complete search history.

(56) **References Cited**
U.S. PATENT DOCUMENTS

- 1,406,510 A * 2/1922 Weber H04R 1/1016 381/380
- 4,646,872 A * 3/1987 Kamon H04R 1/225 181/129
- D318,865 S * 8/1991 Ichikawa D14/205

- 5,363,444 A * 11/1994 Norris H04M 1/05 379/430
 - 5,410,608 A * 4/1995 Lucey H04R 1/083 381/360
 - 5,544,253 A * 8/1996 Nagayoshi H04R 1/1016 381/385
 - 6,084,976 A * 7/2000 Lin H04R 1/1016 181/129
 - D430,146 S * 8/2000 Lin D14/223
 - D431,553 S * 10/2000 Suzuki D14/223
 - D469,753 S * 2/2003 Andre D14/205
 - D499,397 S * 12/2004 Hlas D14/223
 - D515,070 S * 2/2006 Andre D14/205
 - D531,169 S * 10/2006 Tokioka D14/223
- (Continued)

FOREIGN PATENT DOCUMENTS

- EM 007723721-0004 * 2/2020
 - EM 007811237-0001 * 4/2020
- (Continued)

Primary Examiner — Paula Allen Greene

(57) **CLAIM**

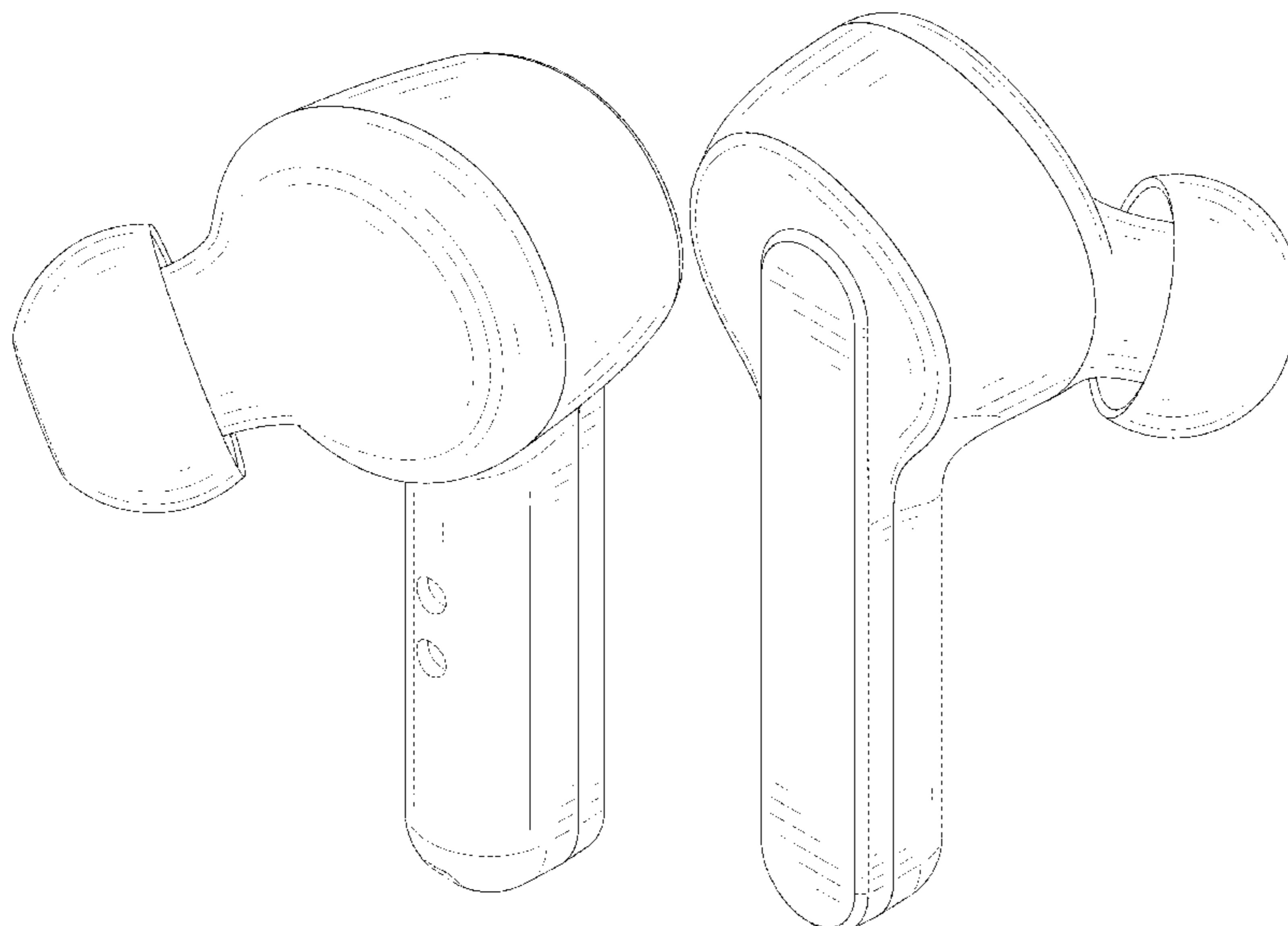
The ornamental design for a wireless earbud, as shown and described.

DESCRIPTION

FIG. 1 is a perspective, view of the wireless earbud showing my new design;
 FIG. 2 is another perspective view thereof;
 FIG. 3 is a front elevational view thereof;
 FIG. 4 is a rear elevational view thereof;
 FIG. 5 is a left side elevational view thereof;
 FIG. 6 is a right side elevational view thereof;
 FIG. 7 is a top plan view thereof; and,
 FIG. 8 is a bottom plan view thereof.

The broken lines illustrate portions of the wireless earbud that are for illustrative purposes only; the broken lines form no part of the claimed design.

1 Claim, 8 Drawing Sheets



(56)

References Cited

U.S. PATENT DOCUMENTS

D539,268 S * 3/2007 Suzuki D14/206
 D554,109 S * 10/2007 Ledbetter D14/223
 D554,627 S * 11/2007 Gondo D14/223
 D555,152 S * 11/2007 Wang D14/223
 D556,741 S * 12/2007 Yeo D14/205
 D557,689 S * 12/2007 Huang D14/223
 D564,495 S * 3/2008 Sasaki D14/205
 D572,703 S * 7/2008 Ledbetter D14/205
 D573,977 S * 7/2008 Ledbetter D14/205
 D573,978 S * 7/2008 Ledbetter D14/205
 D574,361 S * 8/2008 Sasaki D14/205
 D582,389 S * 12/2008 Bose D14/205
 D582,889 S * 12/2008 Bose D14/205
 D586,332 S * 2/2009 Ewert D14/223
 D587,685 S * 3/2009 Densho D14/206
 D593,537 S * 6/2009 Arimoto D14/205
 D596,616 S * 7/2009 Andre D14/205
 D599,778 S * 9/2009 Ando D14/205
 D641,010 S * 7/2011 Kwon D14/223
 D652,823 S * 1/2012 Chen H04R 1/1016
 D660,290 S * 5/2012 Weedon D14/223
 D681,015 S * 4/2013 Akana H04R 1/10
 D707,206 S * 6/2014 Akana H04R 1/10
 D707,652 S * 6/2014 Brunner H04R 1/1016
 D711,857 S * 8/2014 Burgett D14/223
 D715,777 S * 10/2014 Huang D14/223
 D716,272 S * 10/2014 Yang D14/223
 D718,286 S * 11/2014 Yang D14/223
 D730,876 S * 6/2015 Dahlberg D14/223
 D733,101 S * 6/2015 Pi D14/223
 D733,689 S * 7/2015 Narita D14/223
 D738,863 S * 9/2015 Laffon de Mazieres D14/223
 D746,268 S * 12/2015 Karayiannis D14/223
 D751,530 S * 3/2016 Kolton D14/205
 D757,682 S * 5/2016 Perez D14/205
 D760,202 S * 6/2016 Hsieh D14/223
 D762,616 S * 8/2016 Hsieh D14/205

D770,412 S * 11/2016 Son D14/205
 D773,435 S * 12/2016 Ott D14/205
 D775,108 S * 12/2016 Hsieh D14/223
 D784,298 S * 4/2017 Ozawa D14/223
 D784,962 S * 4/2017 Yang D14/223
 D801,314 S * 10/2017 Akana D14/223
 D820,809 S * 6/2018 Akana D14/205
 D829,193 S * 9/2018 Cai D14/223
 D830,336 S * 10/2018 Cai D14/205
 D830,345 S * 10/2018 Cai D14/223
 D831,619 S * 10/2018 Matoba D14/223
 D832,824 S * 11/2018 Kim D14/223
 D847,125 S * 4/2019 Akana D14/223
 D848,980 S * 5/2019 Kim D14/223
 D848,982 S * 5/2019 Kim D14/223
 D848,983 S * 5/2019 Kim D14/223
 D860,973 S * 9/2019 Ko D14/223
 D861,647 S * 10/2019 Chen D14/223
 D864,169 S * 10/2019 Min D14/223
 D865,720 S * 11/2019 Deng D14/223
 D868,752 S * 12/2019 Zhu D14/223
 D869,431 S * 12/2019 Czaniecki D14/205
 D869,445 S * 12/2019 Hu D14/223
 D870,708 S * 12/2019 Lindenberger D14/223
 D872,061 S * 1/2020 Cui D14/223
 D872,711 S * 1/2020 Hu D14/223
 D875,713 S * 2/2020 Kim D14/205
 D878,337 S * 3/2020 Yang D14/223
 D882,553 S * 4/2020 Wu D14/223
 D883,260 S * 5/2020 Hu D14/223
 D887,396 S * 6/2020 Wang D14/223
 D888,691 S * 6/2020 Liu D14/223
 D889,436 S * 7/2020 Zhang D14/223
 D890,138 S * 7/2020 Peng D14/223
 2012/0237074 A1 * 9/2012 Aase H04R 1/1075
 381/380
 2017/0164087 A1 * 6/2017 Kurtz H04R 1/1066

FOREIGN PATENT DOCUMENTS

EM 007978838-0001 * 6/2020
 JP D1352153 * 1/2009

* cited by examiner

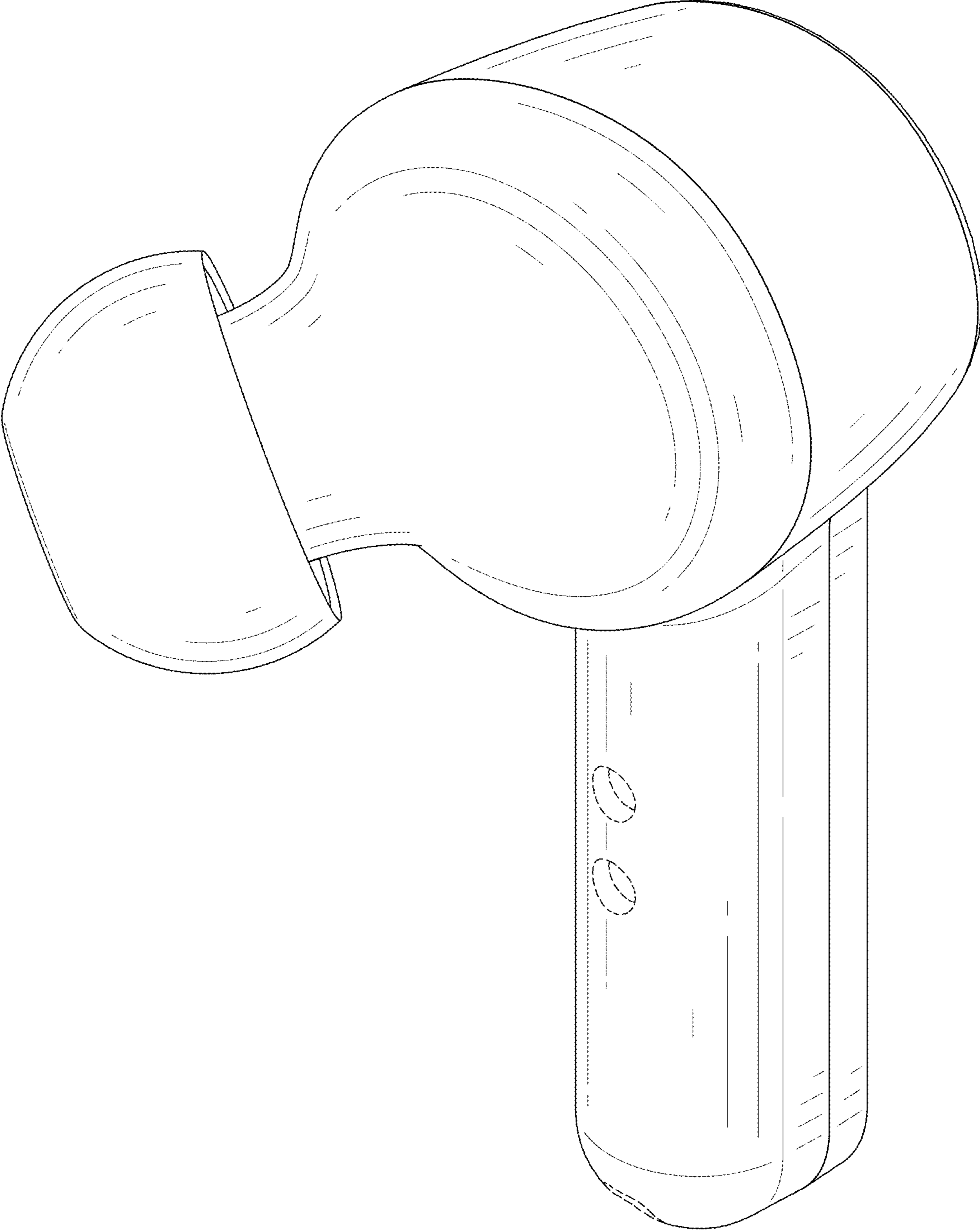


FIG. 1

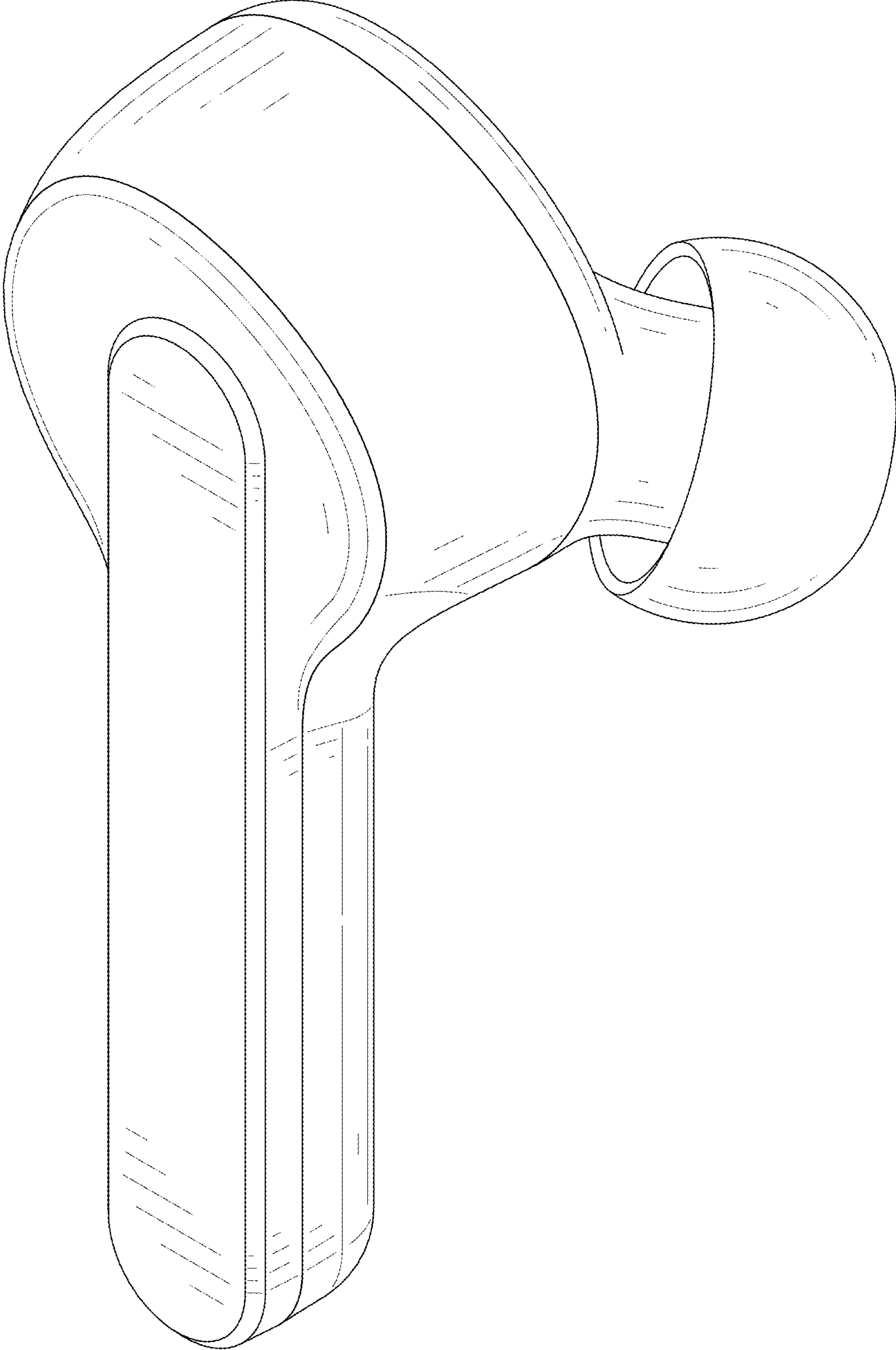


FIG. 2

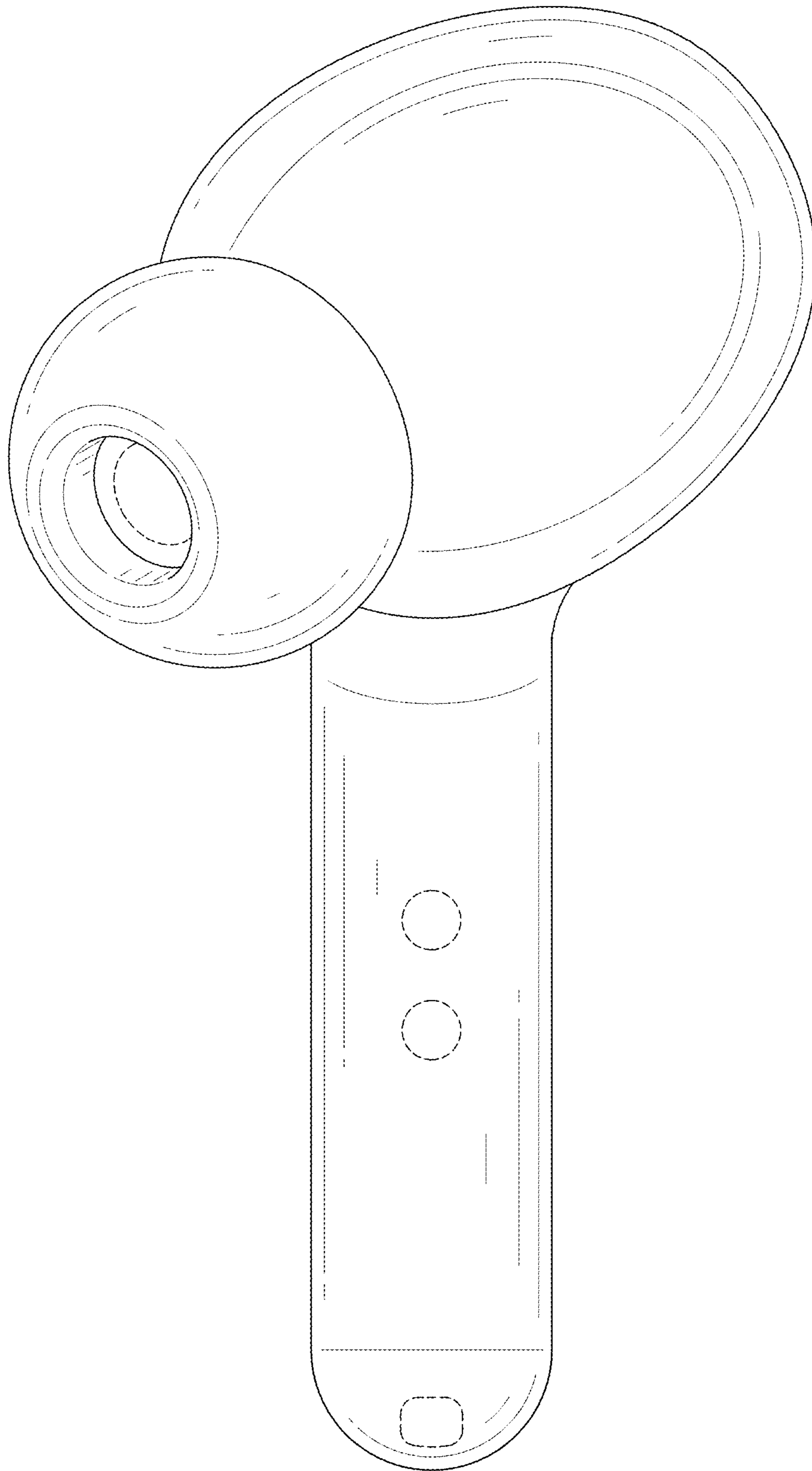


FIG. 3

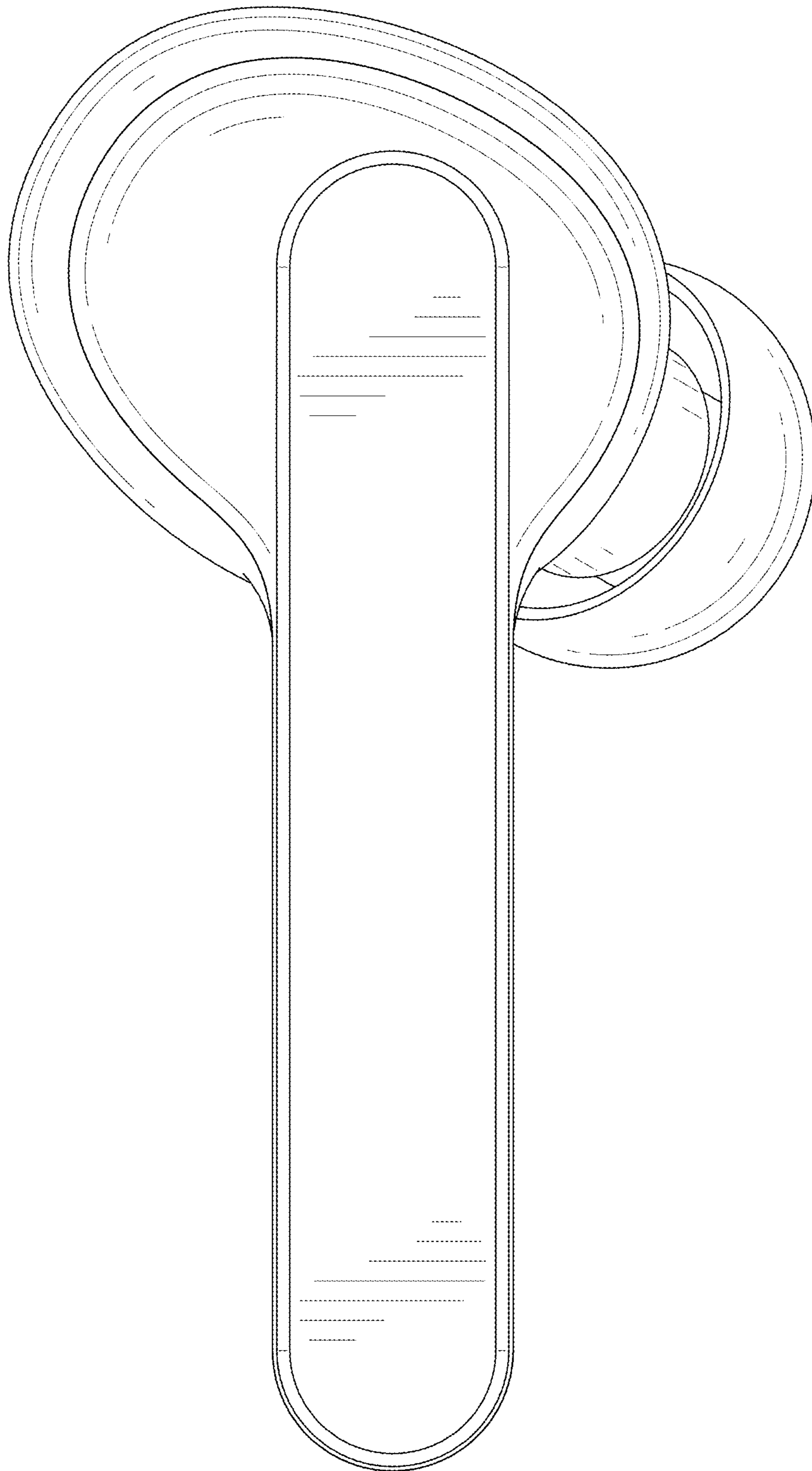


FIG. 4

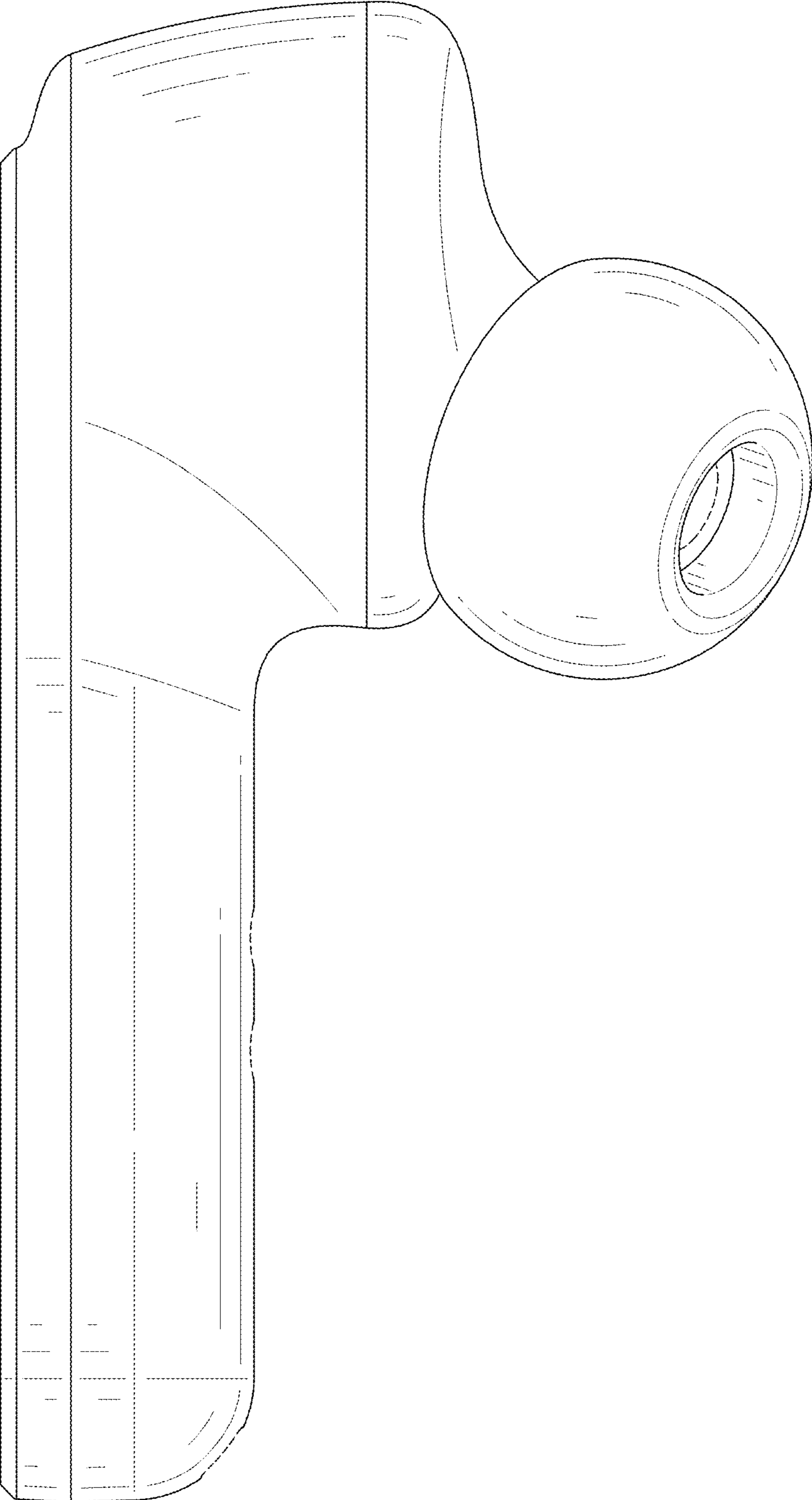


FIG. 5

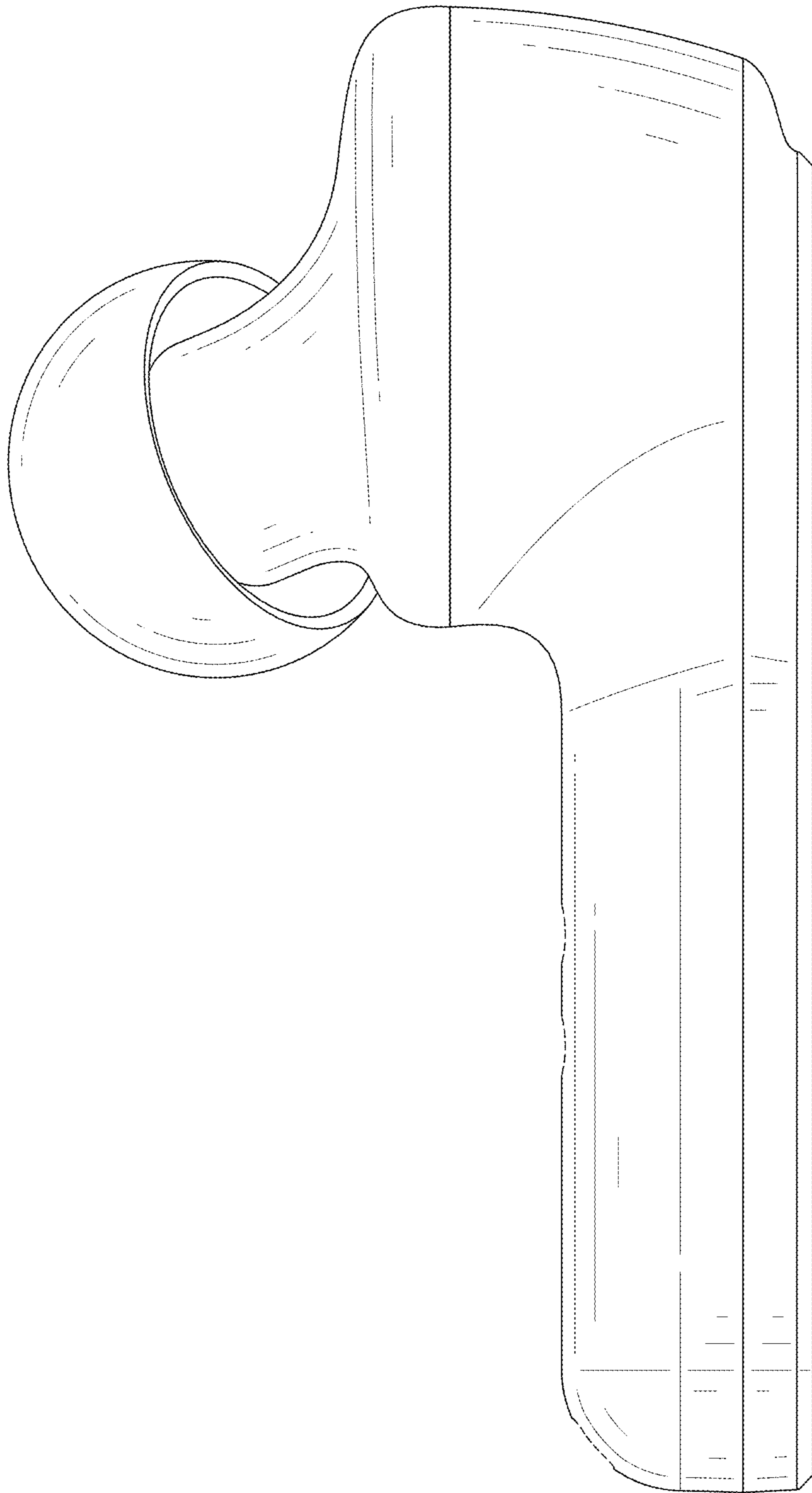


FIG. 6

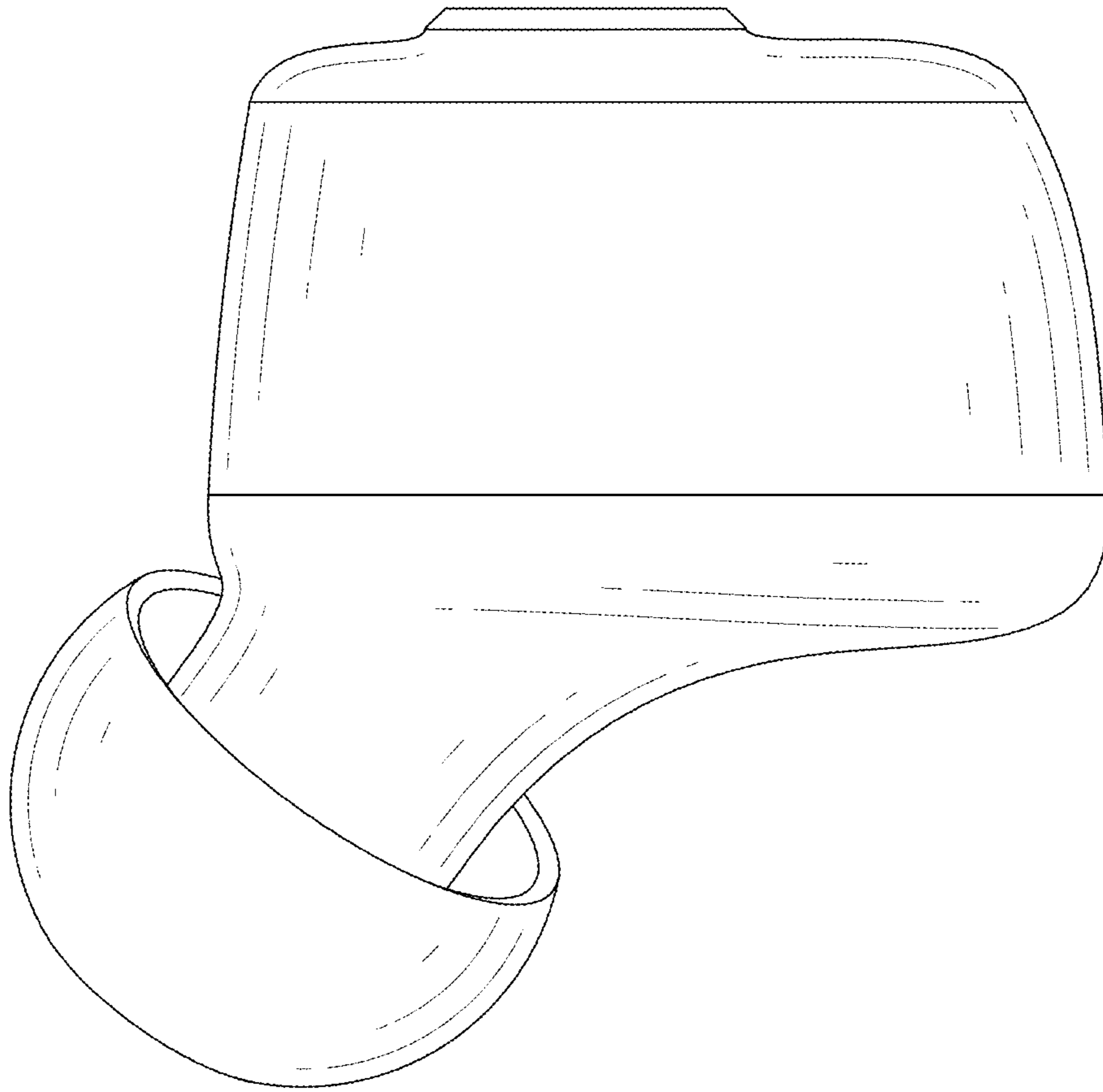


FIG. 7

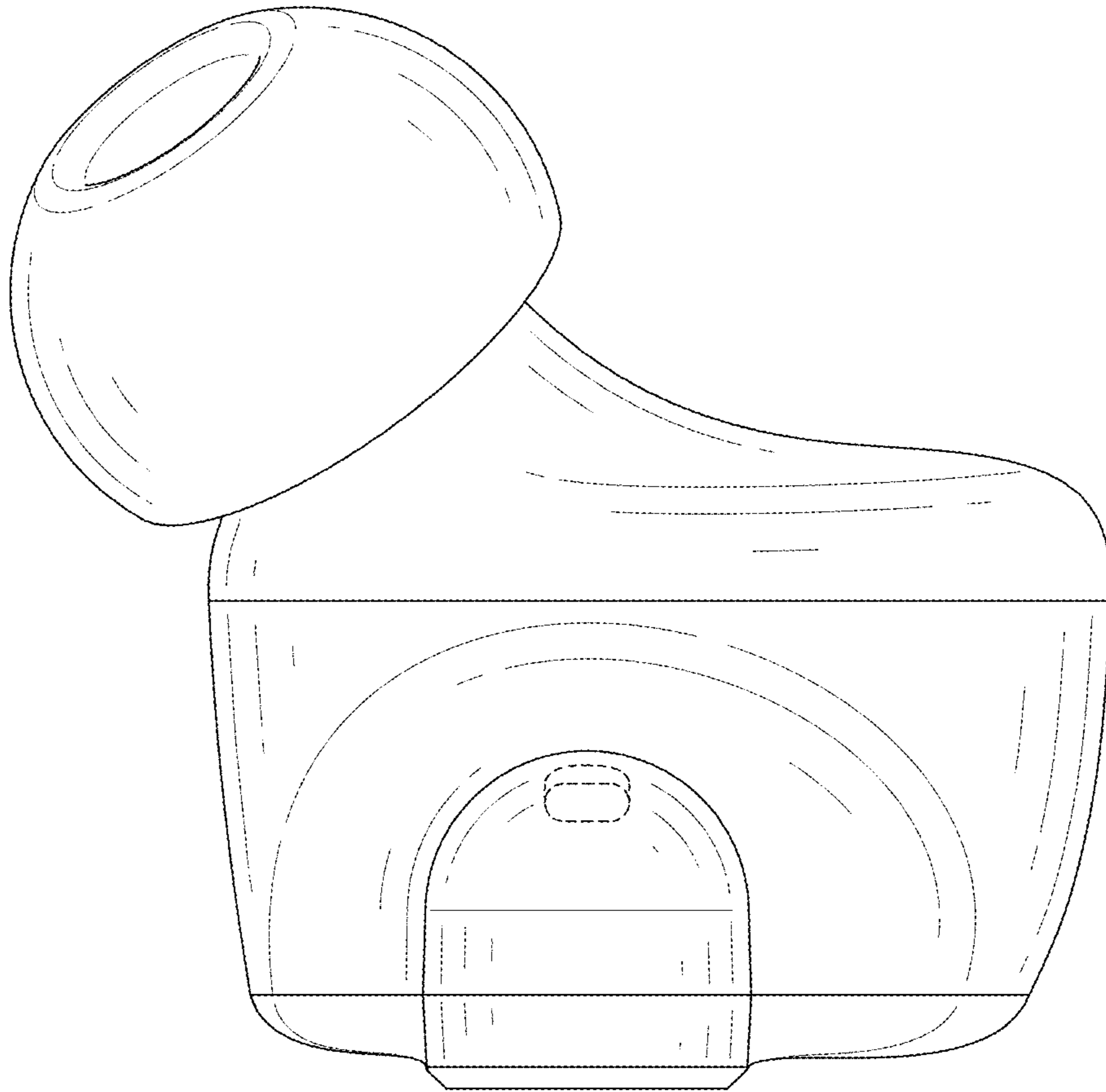


FIG. 8