



US00D895577S

(12) **United States Design Patent**
Smith

(10) **Patent No.:** **US D895,577 S**

(45) **Date of Patent:** **** Sep. 8, 2020**

(54) **EARPHONE ACCESSORY**

(71) Applicant: **Shure Acquisition Holdings, Inc.**,
Niles, IL (US)

(72) Inventor: **Dustin Jonathan Smith**, Chicago, IL
(US)

(73) Assignee: **Shure Acquisition Holdings, Inc.**,
Niles, IL (US)

(**) Term: **15 Years**

(21) Appl. No.: **29/676,000**

(22) Filed: **Jan. 7, 2019**

(51) **LOC (12) Cl.** **14-01**

(52) **U.S. Cl.**
USPC **D14/223; D14/217**

(58) **Field of Classification Search**
USPC ... D14/223, 217, 205, 433, 203.6, 188, 192,
D14/496; D24/174; 381/370, 345, 332,
381/334; 455/90.3, 575.1, 569.1
CPC H04R 25/00; H04R 1/10; H04R 1/105;
H04R 1/1008; H04R 1/1016; H04R
1/1066; H04R 5/033; H04R 5/0335
See application file for complete search history.

(56) **References Cited**

U.S. PATENT DOCUMENTS

- 1,042,725 A * 10/1912 Delamour F27B 9/262
432/133
- D102,655 S * 1/1937 Nicholides D24/174
- D180,694 S * 7/1957 Norris D14/192
- 3,048,526 A * 8/1962 Boswell A61K 9/2086
424/472
- 3,246,112 A * 4/1966 Adams H01H 13/14
200/302.2
- D215,375 S * 9/1969 Doggert D10/118

(Continued)

FOREIGN PATENT DOCUMENTS

EM 002971770-0001 * 2/2016

Primary Examiner — Paula Allen Greene

(74) *Attorney, Agent, or Firm* — Banner & Witcoff, Ltd.

(57) **CLAIM**

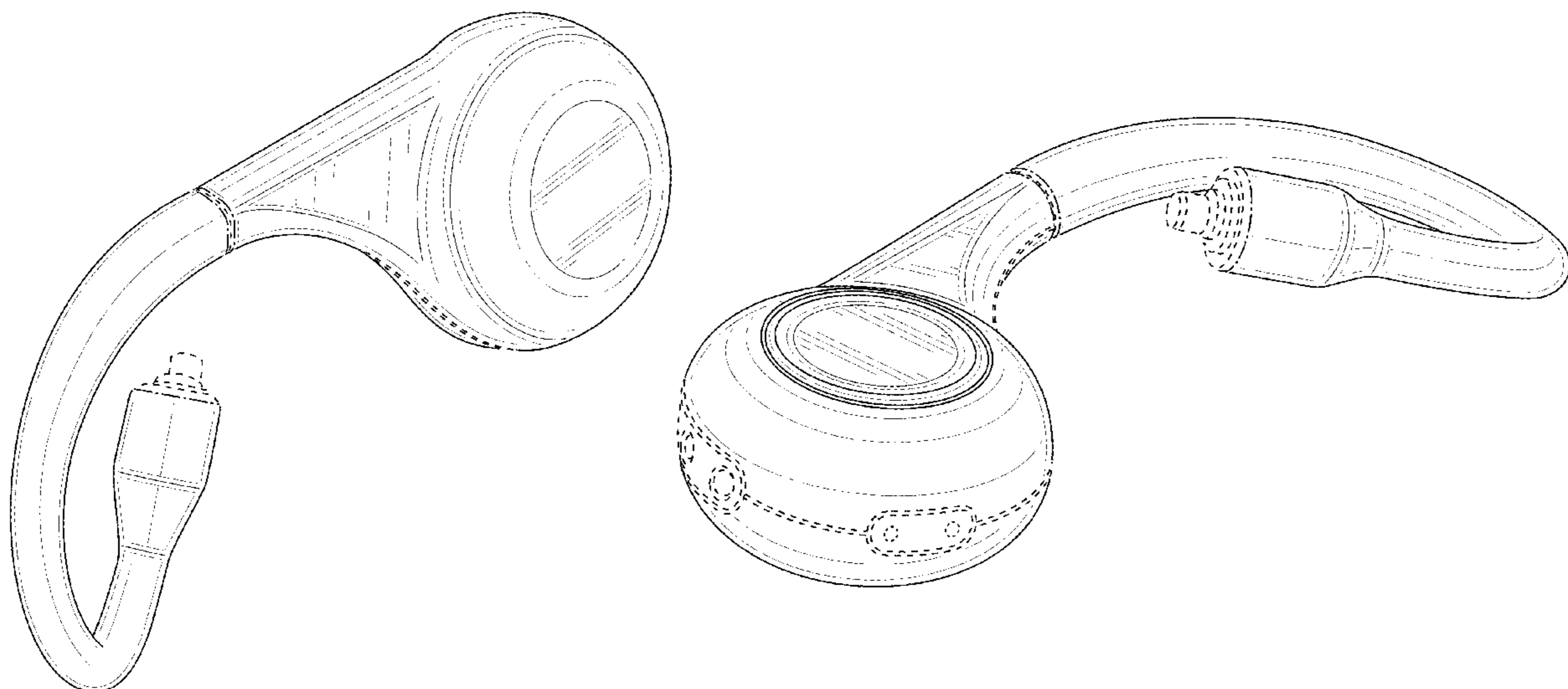
The ornamental design for an earphone accessory, as shown and described.

DESCRIPTION

FIG. 1 is a top, front, right perspective view of a right-side earphone accessory showing my new design;
 FIG. 2 is a front view thereof;
 FIG. 3 is a rear view thereof;
 FIG. 4 is a right side view thereof;
 FIG. 5 is a left side view thereof;
 FIG. 6 is a top view thereof;
 FIG. 7 is a bottom view thereof;
 FIG. 8 is a bottom, rear, left perspective view thereof;
 FIG. 9 is a an alternate configuration of FIG. 1 shown with exemplary environment;
 FIG. 10 is a top, rear, right perspective view of a left-side earphone accessory showing an alternate embodiment of my new design;
 FIG. 11 is a front view thereof;
 FIG. 12 is a rear view thereof;
 FIG. 13 is a right side view thereof;
 FIG. 14 is a left side view thereof;
 FIG. 15 is a top view thereof;
 FIG. 16 is a bottom view thereof;
 FIG. 17 is a bottom, rear, left perspective view thereof; and,
 FIG. 18 is an alternate configuration of FIG. 10 shown with exemplary environment.

The broken lines immediately adjacent to the shaded area define the bounds of the claimed design and form no part thereof. The broken lines depicting the remainder of the earphone accessory show features that form no part of the claimed design.

1 Claim, 18 Drawing Sheets



(56)

References Cited

U.S. PATENT DOCUMENTS

4,672,672 A * 6/1987 Eggert H04R 25/60
381/324
4,677,675 A * 6/1987 Killion H04R 25/48
381/322
4,691,383 A * 9/1987 DeMars H04B 1/086
379/430
D301,332 S * 5/1989 Schwartz D13/168
D304,944 S * 12/1989 Behringer D14/188
D305,022 S * 12/1989 Hallgren D13/171
4,917,504 A * 4/1990 Scott H04M 1/05
381/330
D374,658 S * 10/1996 Bever D13/171
5,812,680 A * 9/1998 Glendon H04R 25/60
381/322
5,831,098 A * 11/1998 Ollmann, Jr. C07D 209/82
548/434
D407,985 S * 4/1999 Pimentel D10/104.2
D427,994 S * 7/2000 Pirelli D14/223
D430,145 S * 8/2000 Boyden D14/223
D464,630 S * 10/2002 Woodworth D13/171
D468,721 S 1/2003 Nguyen
D469,081 S 1/2003 Perszyk et al.
D469,411 S * 1/2003 Decosse D13/171
D470,121 S 2/2003 Nguyen et al.
D490,398 S 5/2004 Gwee
D497,613 S 10/2004 Gwee
D498,227 S 11/2004 Dyer et al.
D504,673 S 5/2005 Dyer et al.
D512,417 S * 12/2005 Hirakawa D14/223
D514,095 S * 1/2006 Wilson D14/223
D518,473 S 4/2006 Gwee

D520,496 S 5/2006 Gwee
D541,420 S * 4/2007 Darbut D24/174
D541,787 S 5/2007 Ma
D572,234 S 7/2008 Reda et al.
D586,329 S 2/2009 Birger
D601,564 S * 10/2009 Maeno D14/400
D604,419 S 11/2009 Mori et al.
D625,297 S 10/2010 Tseng et al.
D625,709 S * 10/2010 Yamamoto D14/223
D635,678 S * 4/2011 Laperle D24/174
D641,884 S * 7/2011 Laperle D24/174
D654,172 S * 2/2012 Naumann D24/174
D667,815 S * 9/2012 Chiu D14/206
D676,970 S * 2/2013 Mehlsen D24/174
D710,326 S 8/2014 Burgett et al.
8,855,349 B2 * 10/2014 Yeh H04R 1/10
381/334
D718,236 S * 11/2014 Murray D13/108
D735,131 S * 7/2015 Akana D13/108
D756,817 S * 5/2016 Fries D10/78
D769,220 S 10/2016 Burgett et al.
D772,197 S * 11/2016 Hejazi D14/205
D772,417 S * 11/2016 Li D24/174
D773,437 S * 12/2016 Lee D14/223
D773,438 S * 12/2016 Walker D14/223
D795,225 S * 8/2017 Sumii D14/223
D810,724 S * 2/2018 Czaniecki D14/223
D819,594 S 6/2018 Hosoda et al.
D825,764 S 8/2018 Gajstut
10,182,281 B2 * 1/2019 Igarashi H04R 1/1016
D846,123 S * 4/2019 Haagerup D24/174
D864,166 S * 10/2019 You D14/223
D868,729 S * 12/2019 Czaniecki D14/205
D885,339 S * 5/2020 Duan D13/110

* cited by examiner

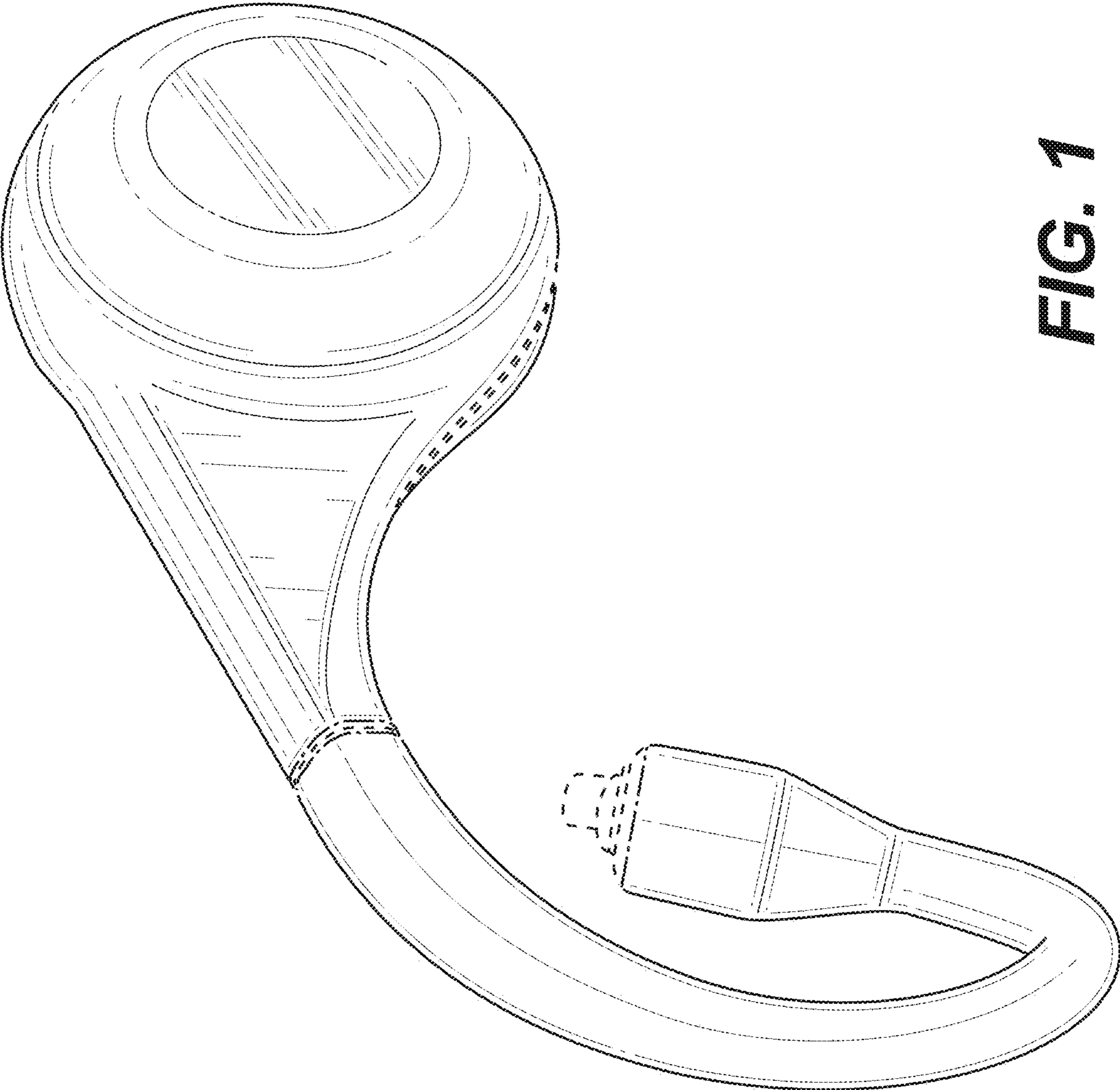


FIG. 1

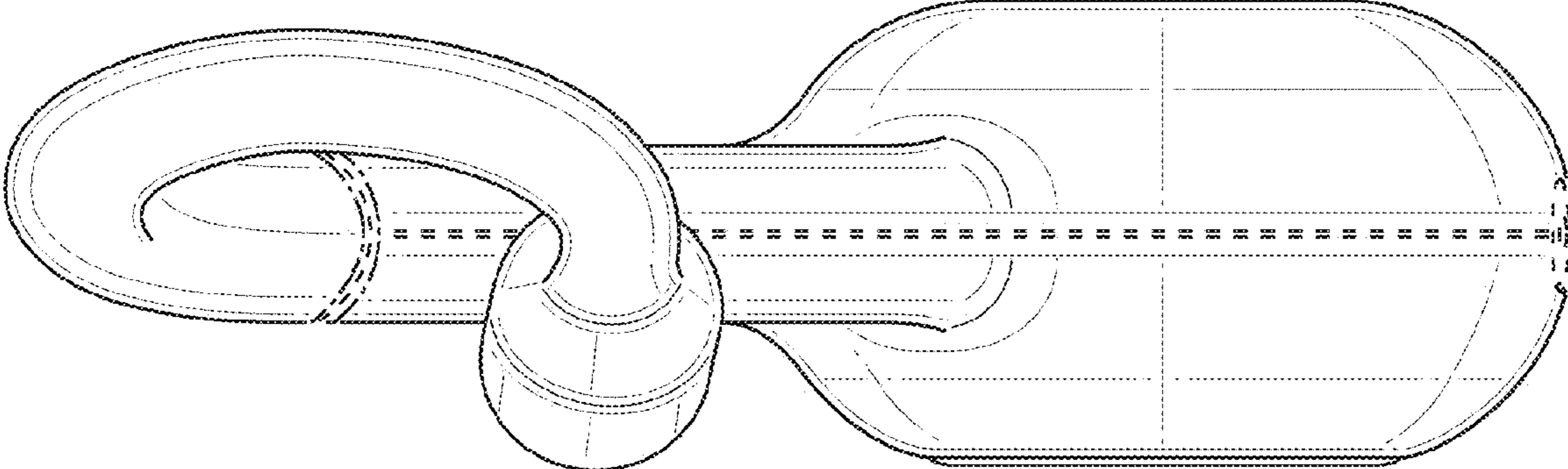


FIG. 2

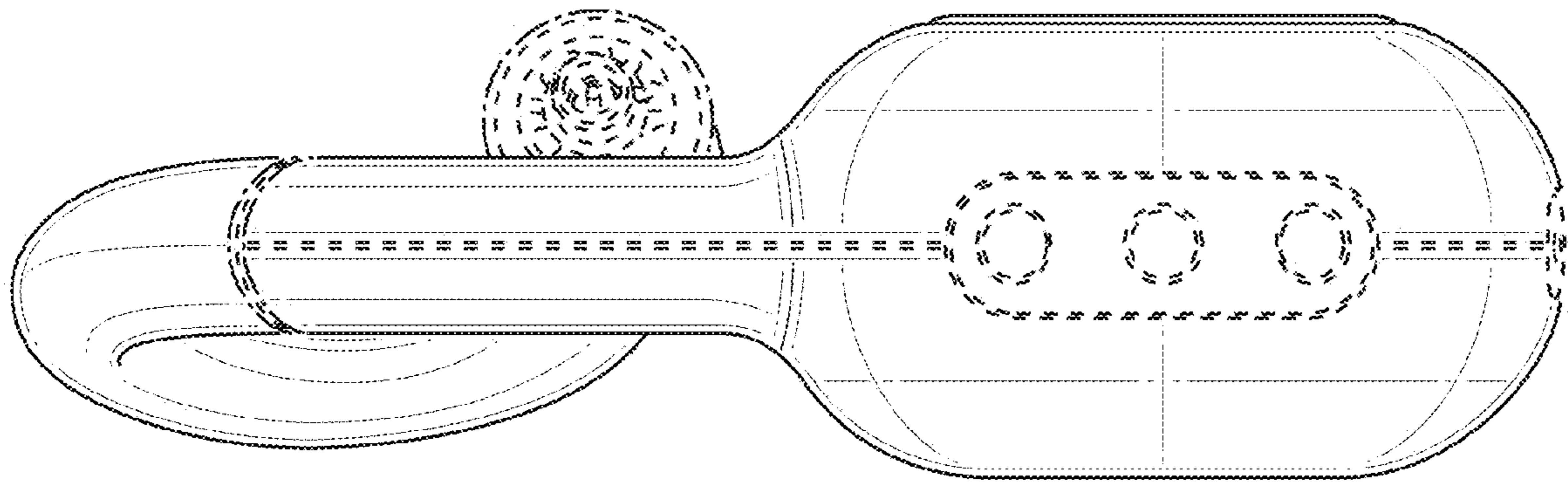


FIG. 3

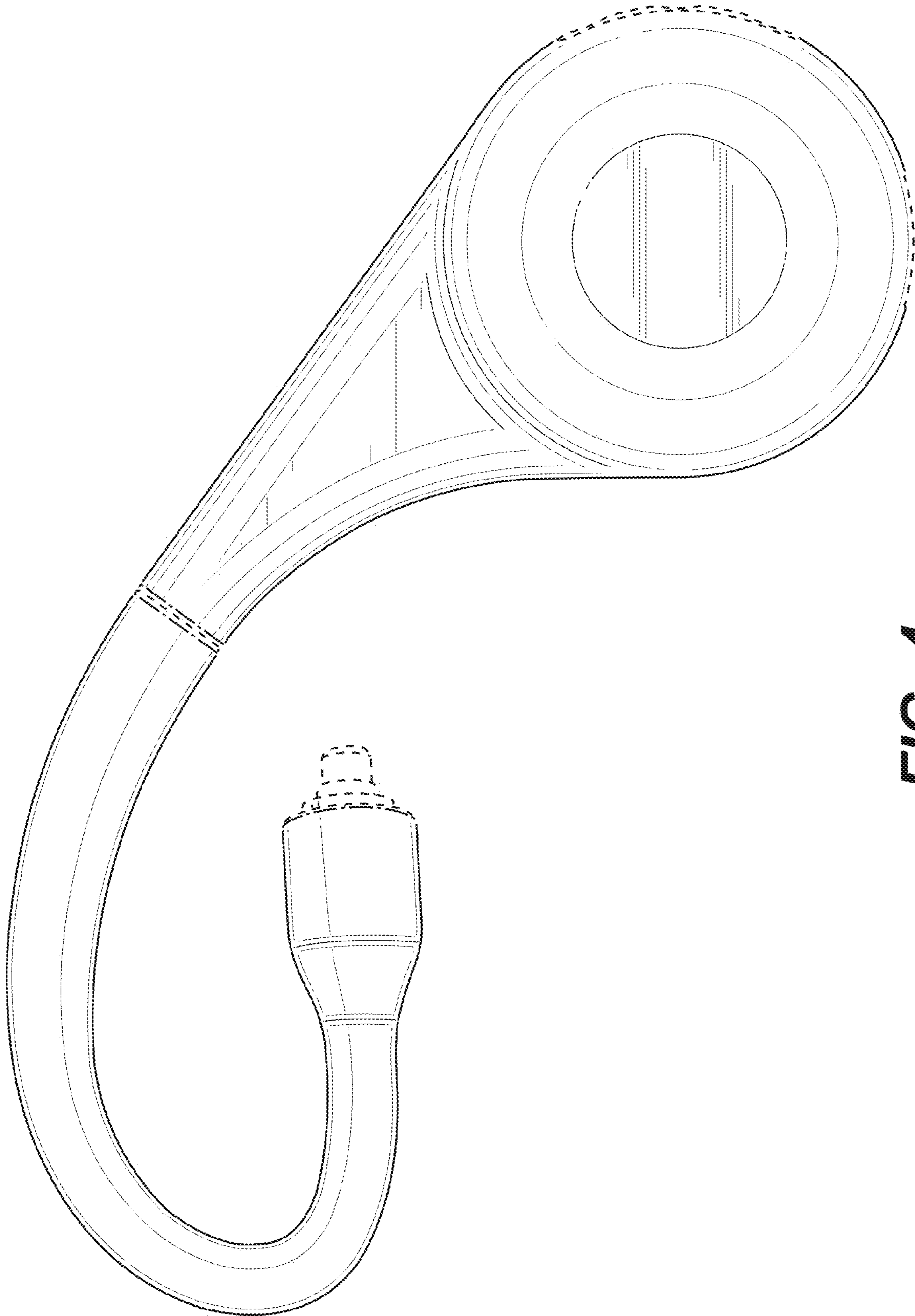


FIG. 4

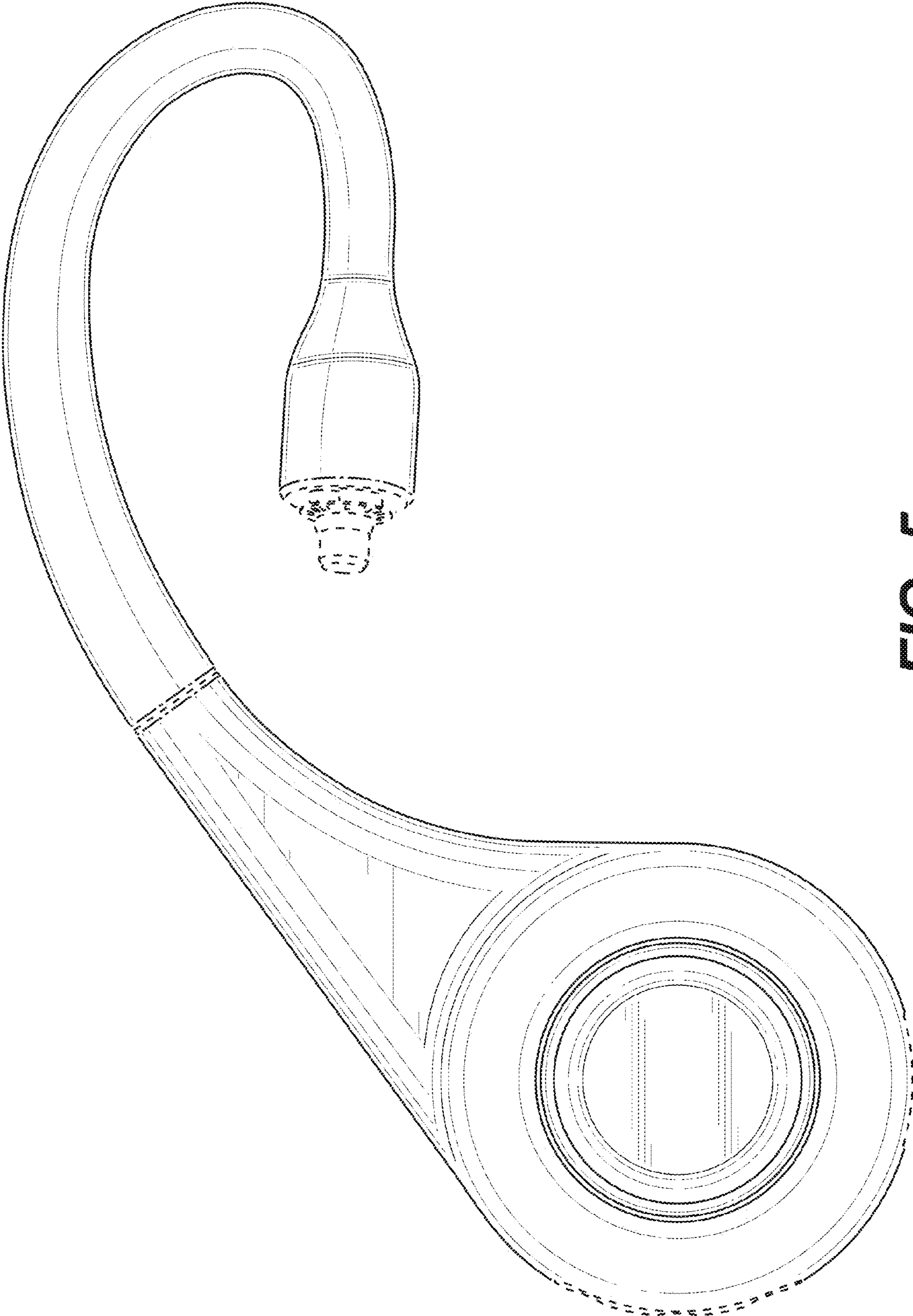


FIG. 5

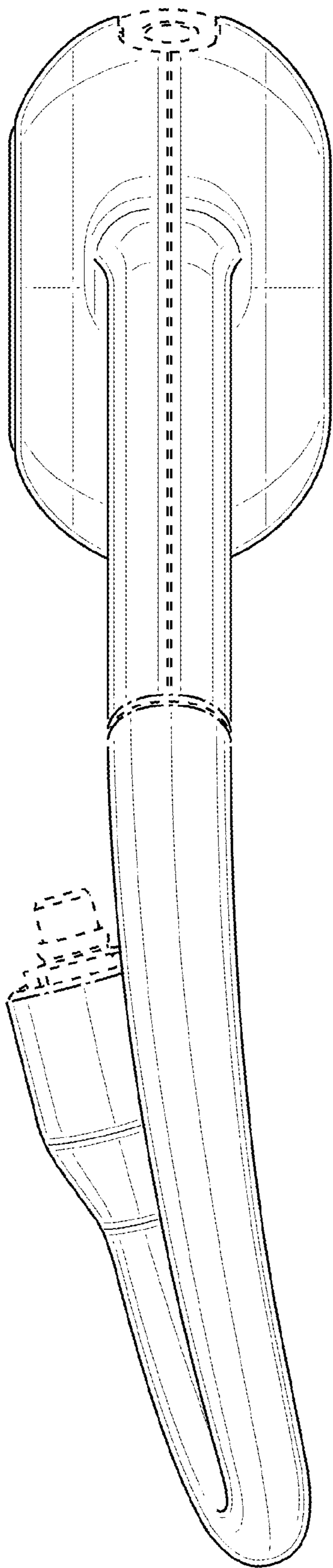


FIG. 6

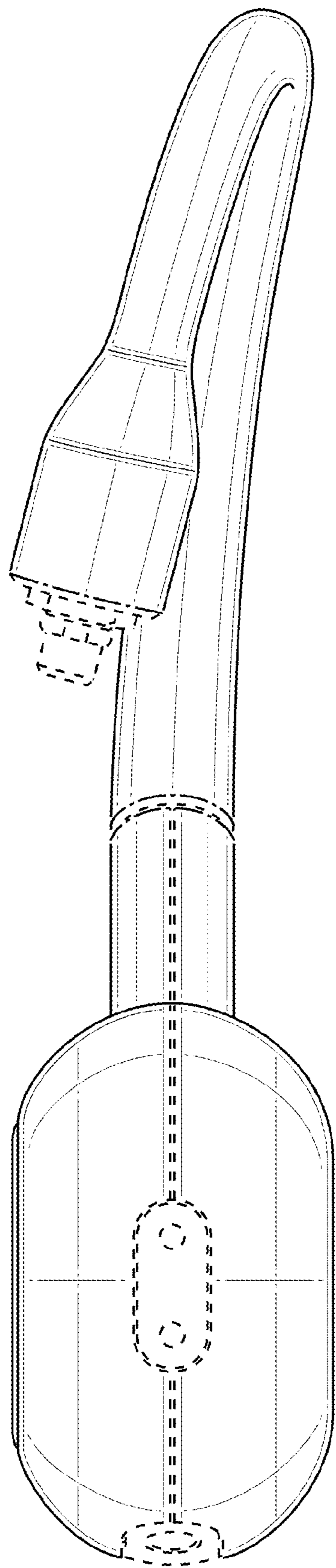


FIG. 7

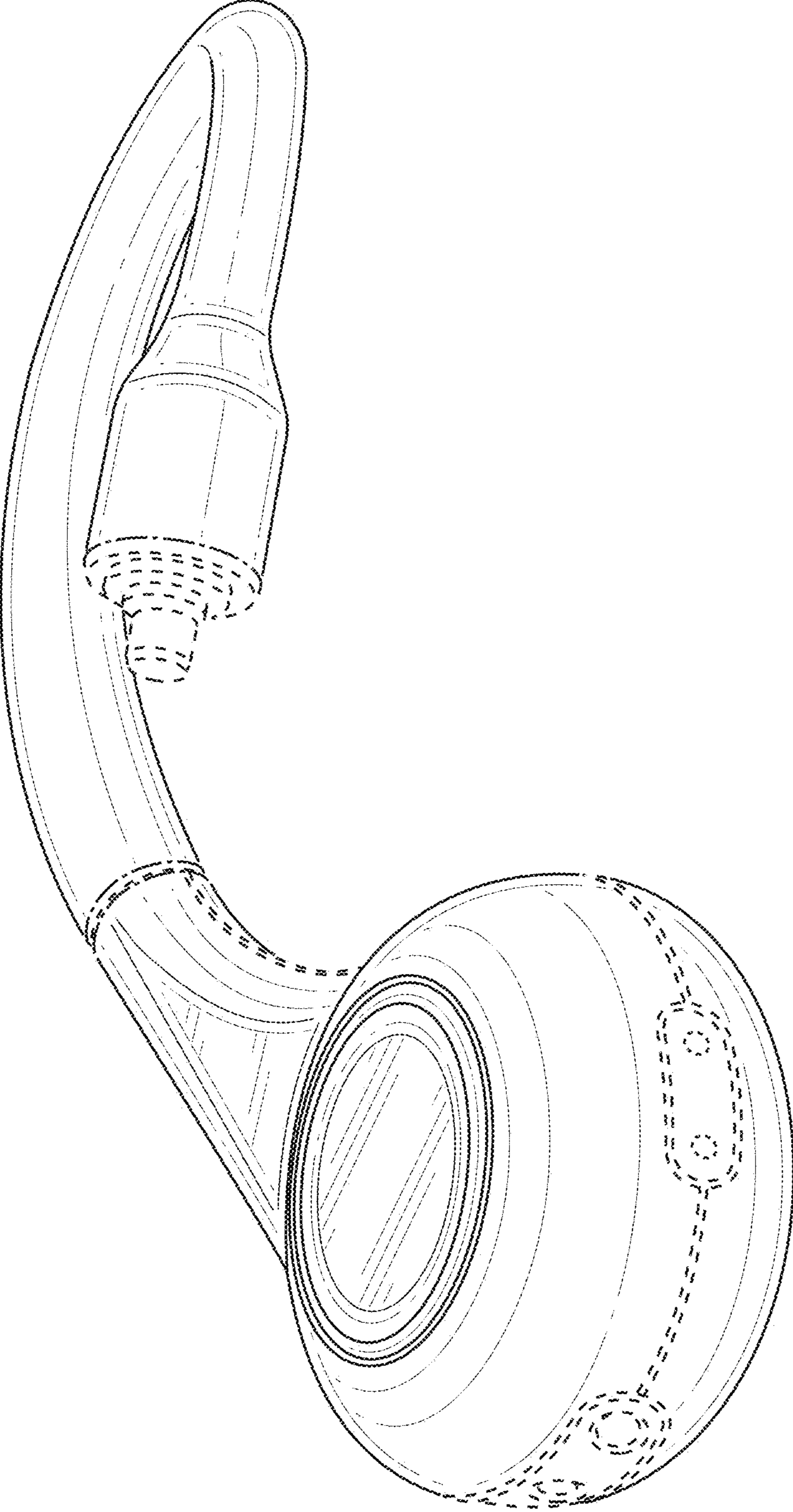


FIG. 8

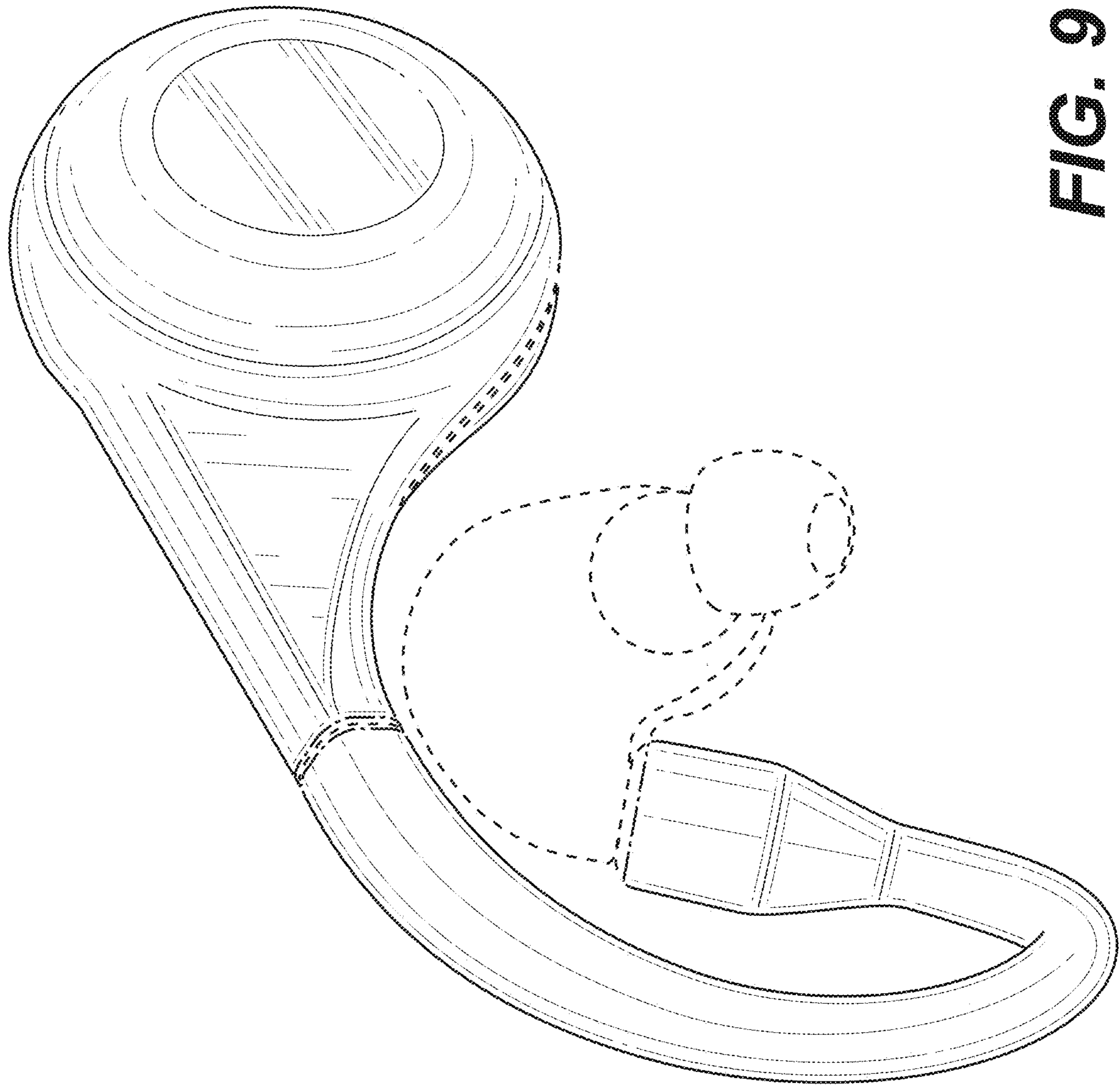


FIG. 9

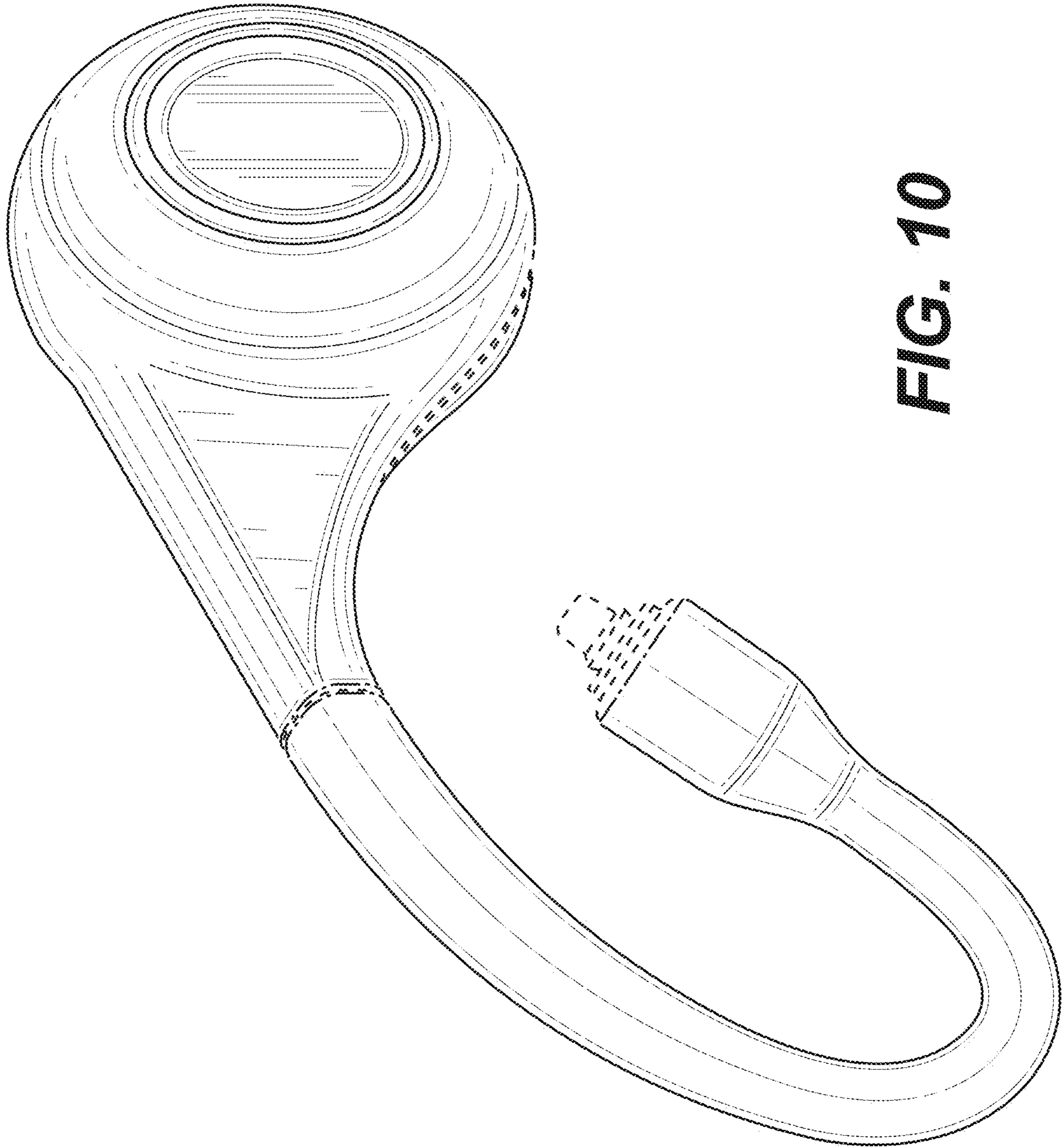


FIG. 10

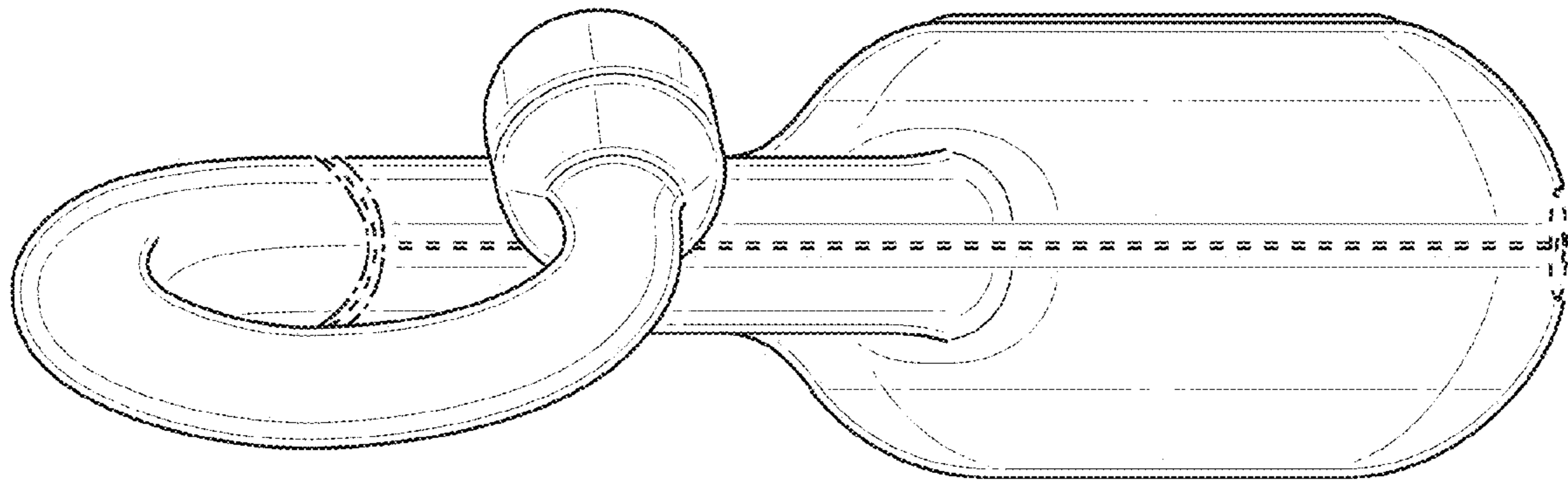


FIG. 11

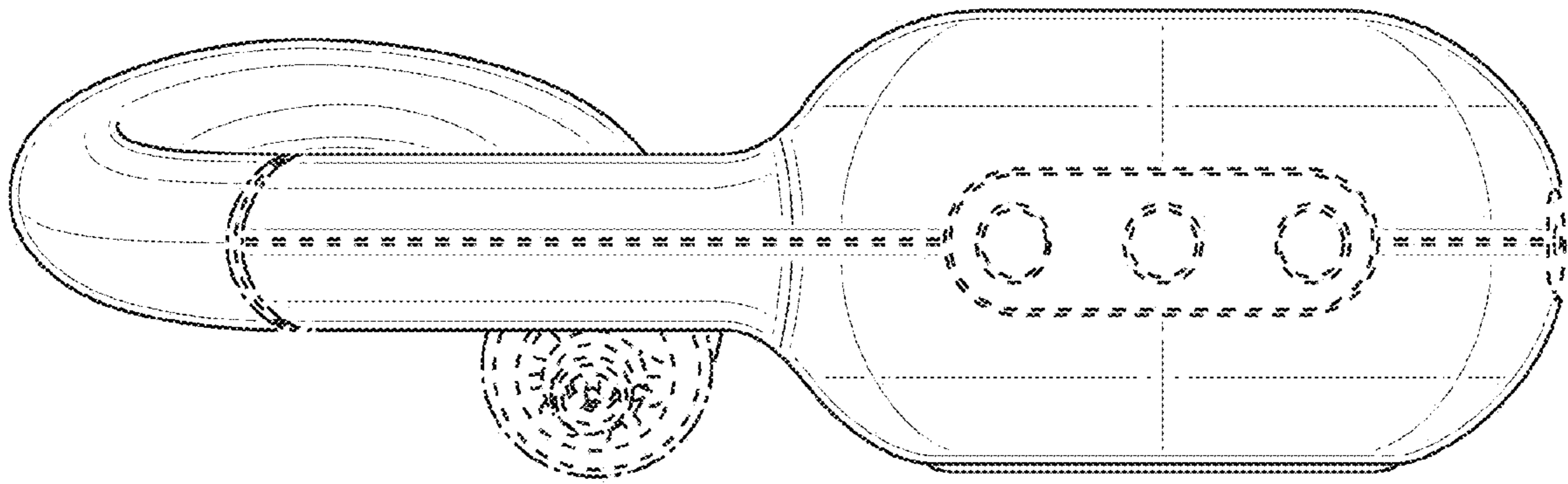


FIG. 12

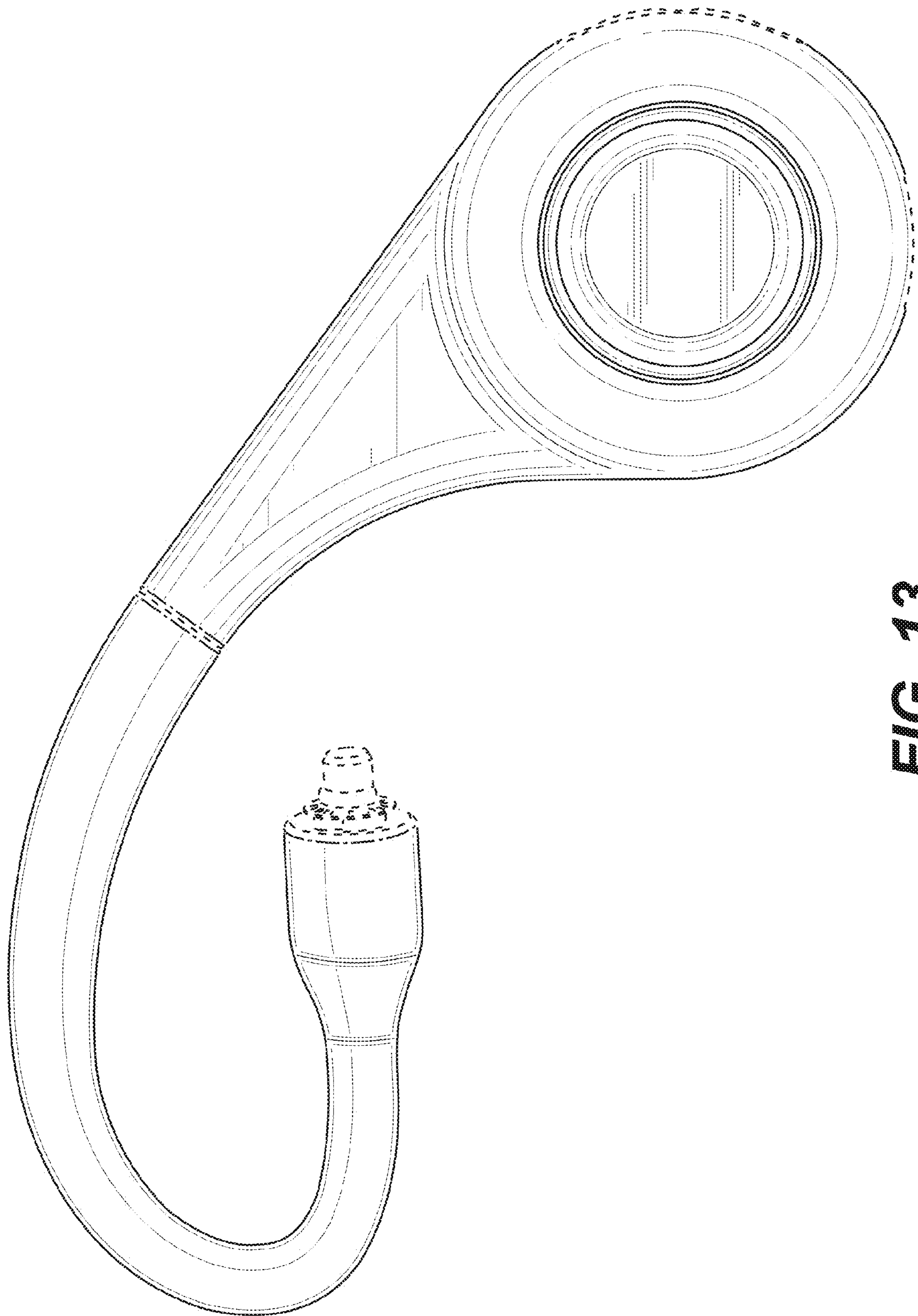


FIG. 13

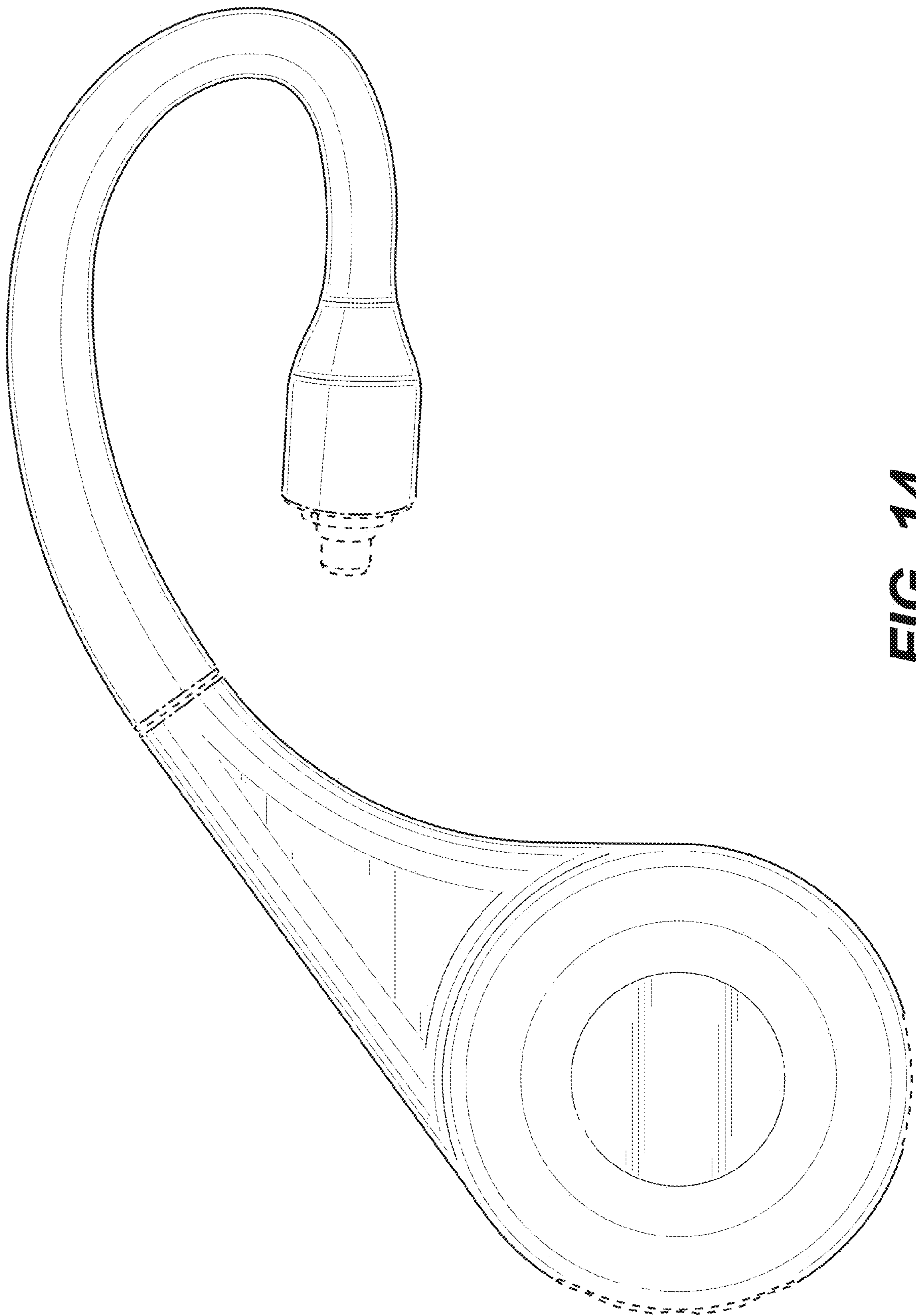


FIG. 14

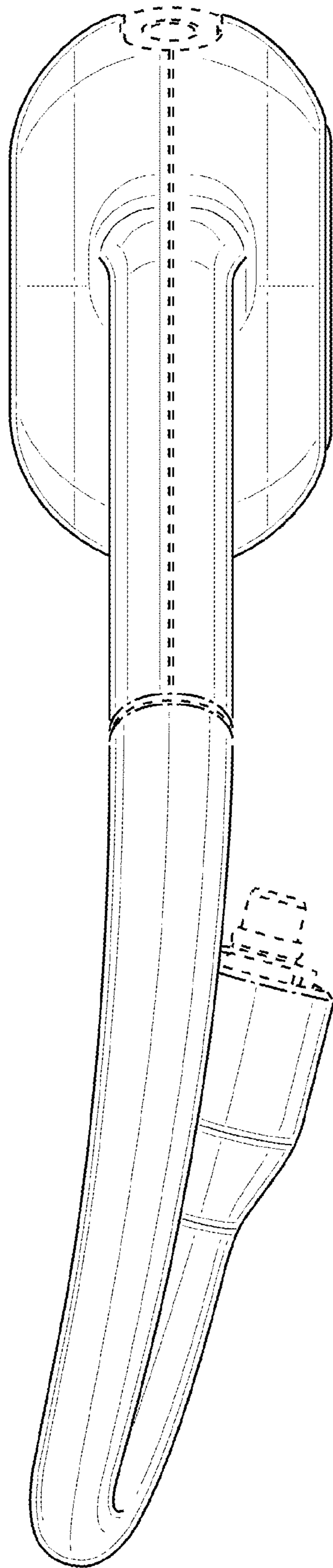


FIG. 15

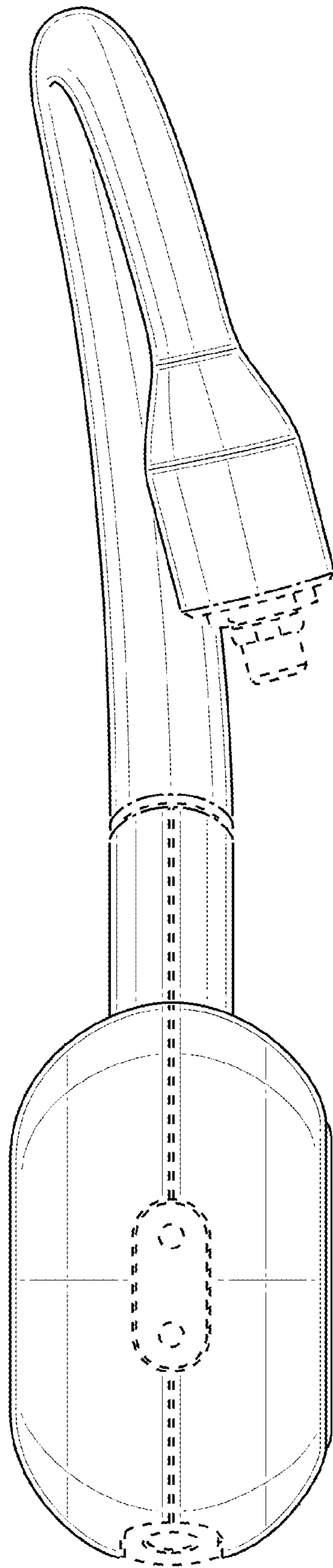


FIG. 16

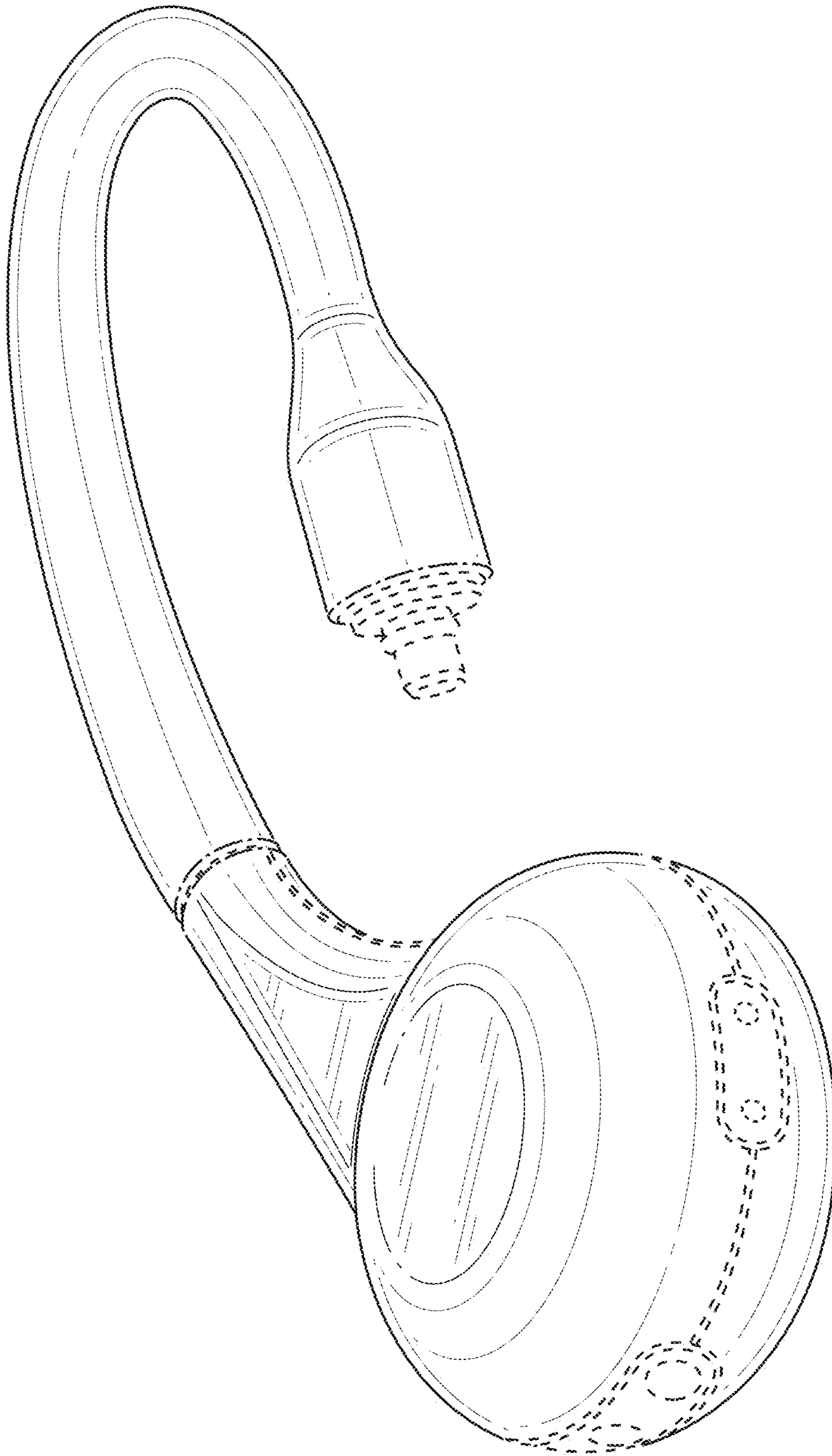


FIG. 17

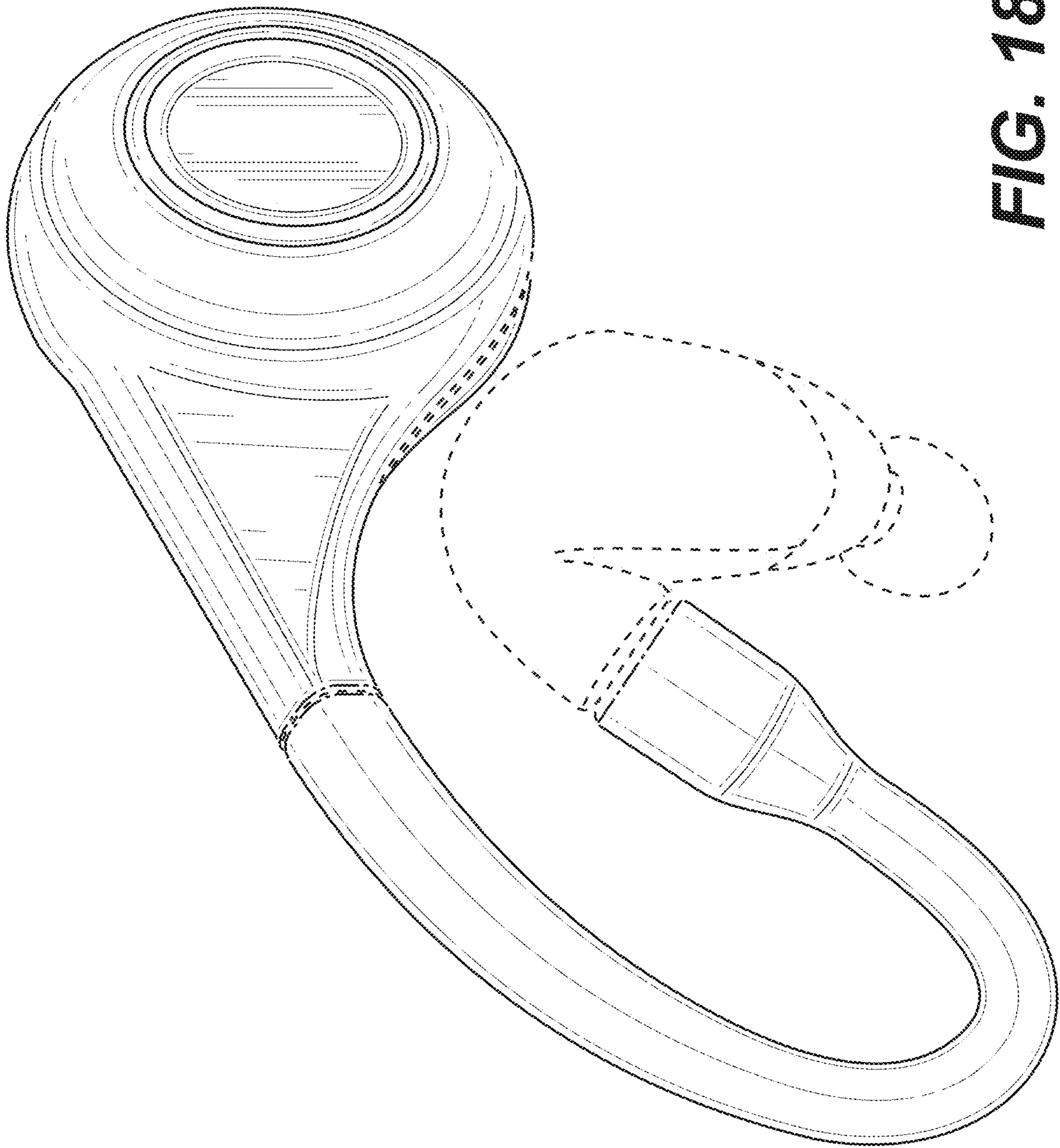


FIG. 18