



US00D895574S

(12) **United States Design Patent** (10) **Patent No.:** **US D895,574 S**  
**Schillebeeckx et al.** (45) **Date of Patent:** **\*\* Sep. 8, 2020**

(54) **AUDIO MIXING DESK**

1/0083; G10H 1/0575; G10H 1/06; G10H 1/18; G10H 1/386; G10H 2220/101

(71) Applicant: **Freedman Electronics Pty Limited,**  
Silverwater (AU)

See application file for complete search history.

(72) Inventors: **Pieter Schillebeeckx,** Silverwater (AU);  
**Yves Vieira,** Silverwater (AU)

(56) **References Cited**

(73) Assignee: **Freedman Electronics Pty Limited,**  
New South Wales (AU)

U.S. PATENT DOCUMENTS

(\*\*) Term: **15 Years**

D573,587 S *	7/2008	Amiya .....	D14/217
D617,767 S *	6/2010	Piltonen .....	D10/65
D721,062 S *	1/2015	Danning .....	D14/217
D745,491 S *	12/2015	Rogers .....	D14/217
D747,699 S *	1/2016	Mattioli .....	D14/217
D776,190 S *	1/2017	Kimura .....	D14/217
D783,575 S *	4/2017	Fuller .....	D14/217
D872,056 S *	1/2020	Akaishi .....	D14/217

(21) Appl. No.: **29/682,467**

(22) Filed: **Mar. 5, 2019**

\* cited by examiner

(30) **Foreign Application Priority Data**

*Primary Examiner* — Khawaja Anwar

Sep. 5, 2018 (AU) ..... 201815353

(74) *Attorney, Agent, or Firm* — Magleby, Cataxinos & Greenwood, P.C.

(51) **LOC (12) Cl.** ..... **14-03**

(52) **U.S. Cl.**  
USPC ..... **D14/217**

(57) **CLAIM**

(58) **Field of Classification Search**  
USPC ..... D14/217, 257, 258, 434, 496, 162, 167,  
D14/175, 188, 196-198

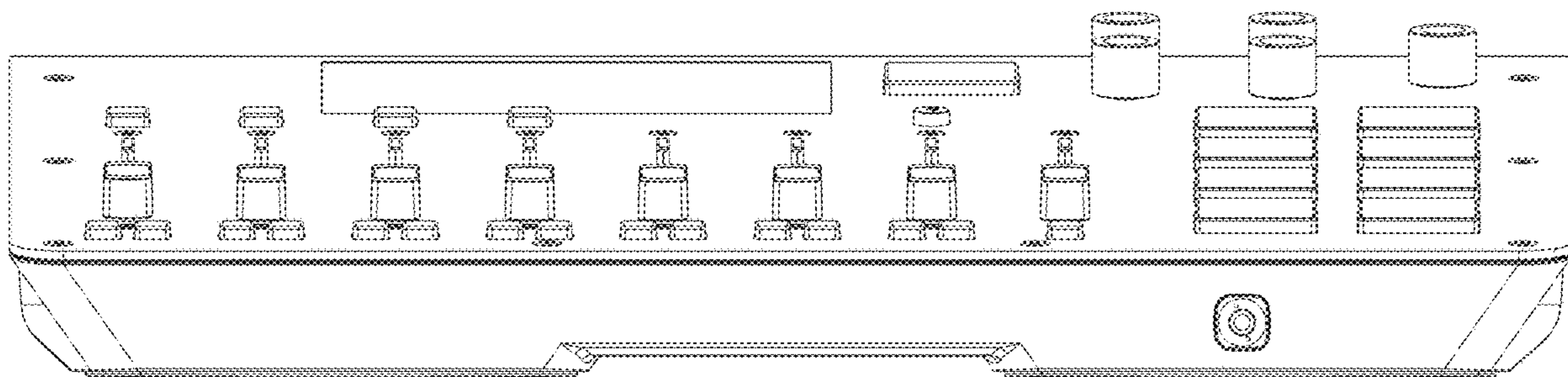
The ornamental design for an audio mixing desk, as shown and described.

CPC ..... G10H 1/0066; G10H 1/0008; G10H 2220/106; G10H 1/32; G10H 2220/096; G10H 2230/015; G10H 1/38; G10H 1/0091; G10H 2210/125; G10H 1/34; G10H 1/348; G10H 1/02; G10H 1/46; G10H 1/0025; G10H 2210/066; G10H 2220/201; G10H 2220/241; G10H 2240/211; G10H 7/008; G10H 7/02; G10H 1/0058; G10H 2230/021; G10H 3/146; G10H 7/00; G10H 1/00; G10H 1/28; G10H 1/342; G10H 1/36; G10H 1/383; G10H 2210/081; G10H 2210/095; G10H 3/188; G10H 1/0033; G10H

**DESCRIPTION**

FIG. 1 is a front view of an audio mixing desk;  
FIG. 2 is a back view, thereof;  
FIG. 3 is a front perspective view thereof;  
FIG. 4 is back perspective view thereof;  
FIG. 5 is a left, side elevation view thereof;  
FIG. 6 is a right, side elevation view thereof;  
FIG. 7 is a bottom plan view thereof; and,  
FIG. 8 is a top plan view thereof.

**1 Claim, 8 Drawing Sheets**



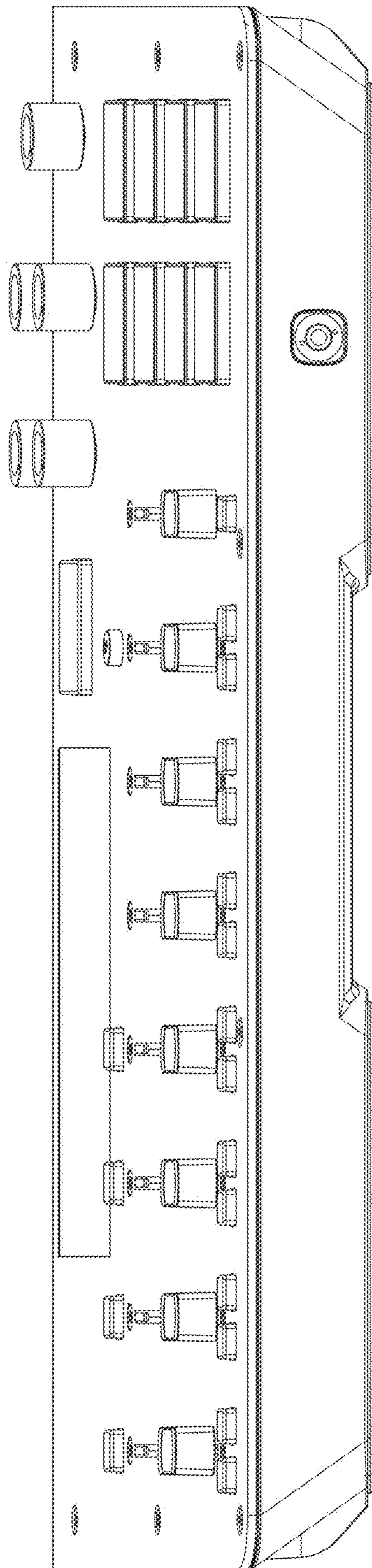


FIG. 1

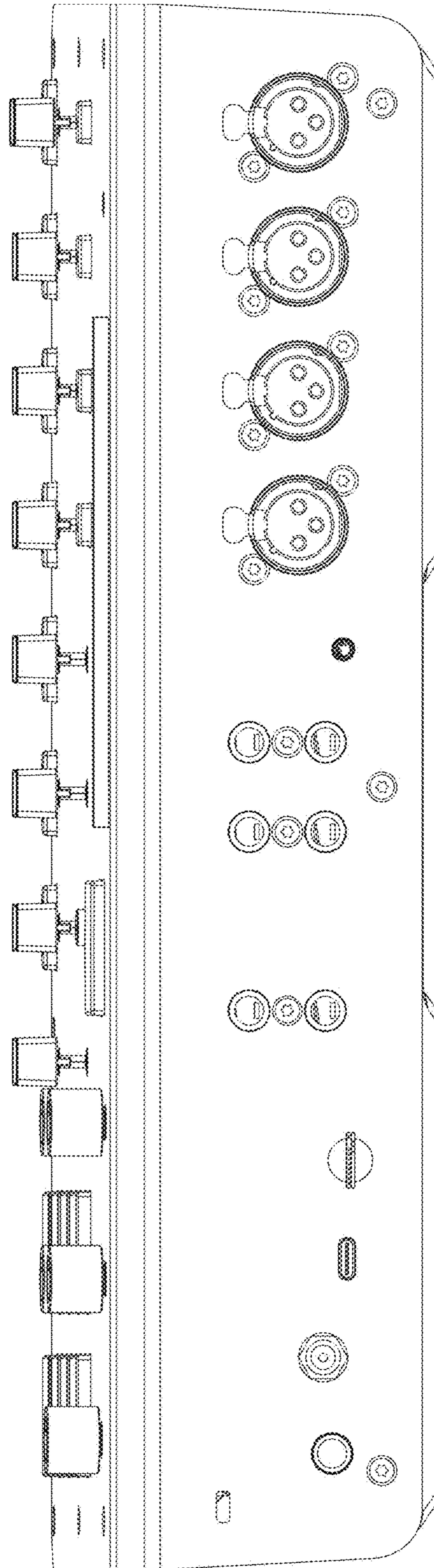


FIG. 2

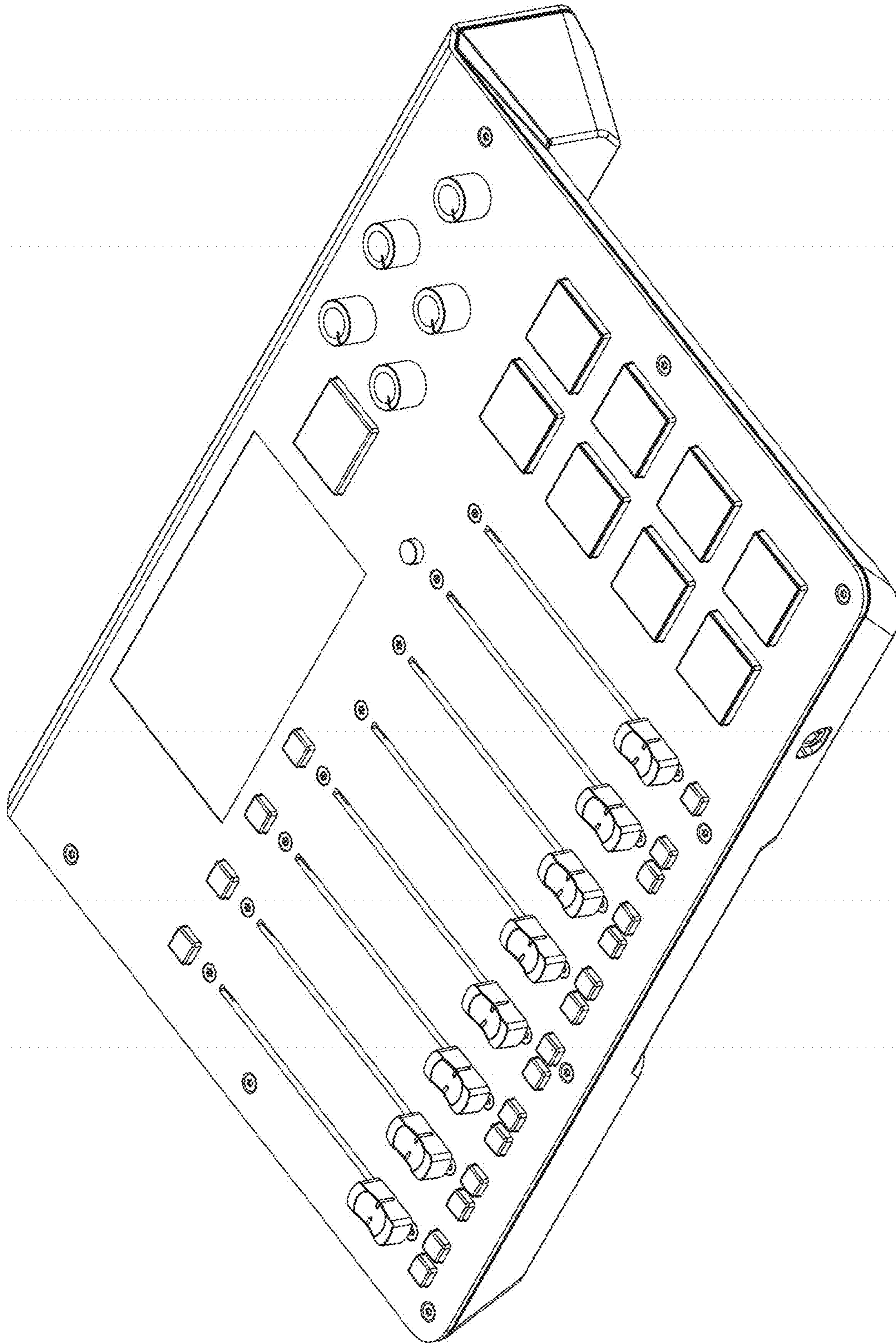


FIG. 3

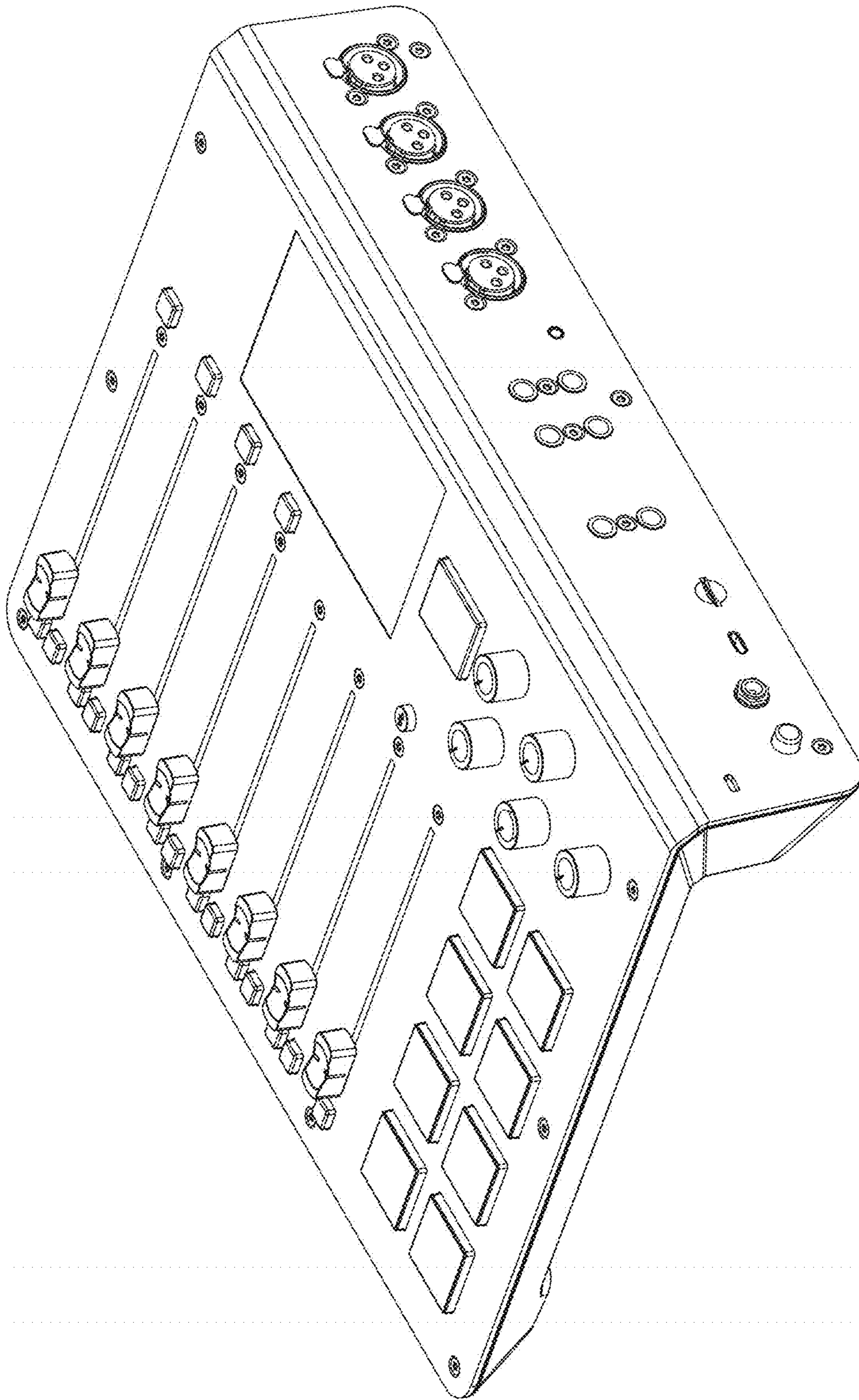


FIG. 4

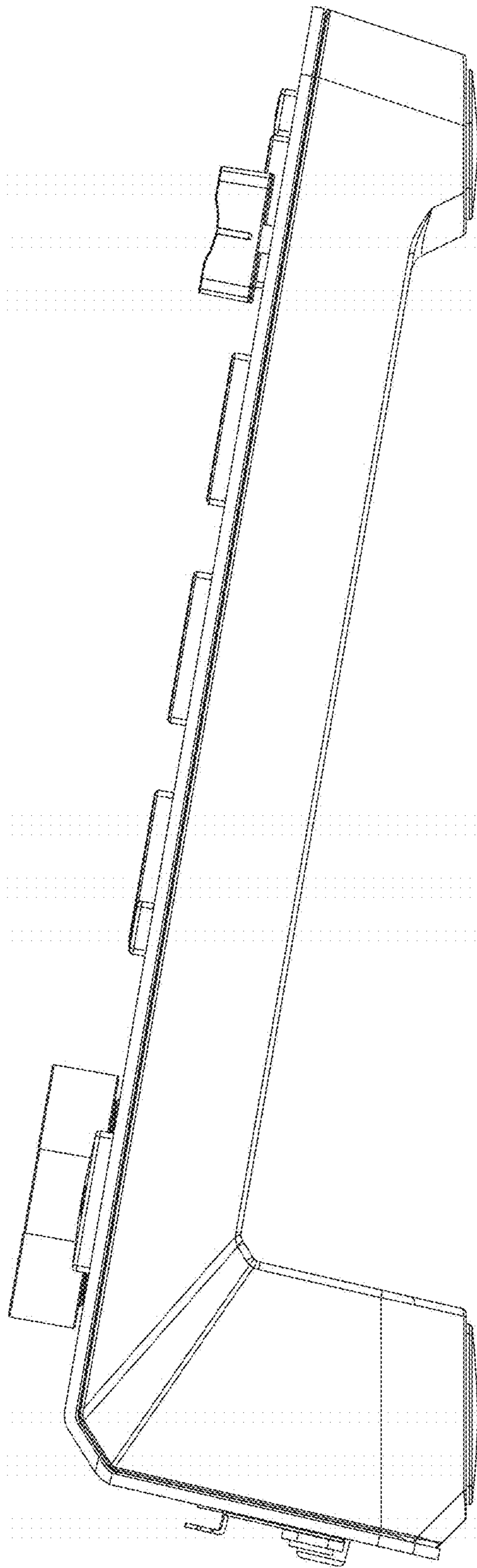


FIG. 5

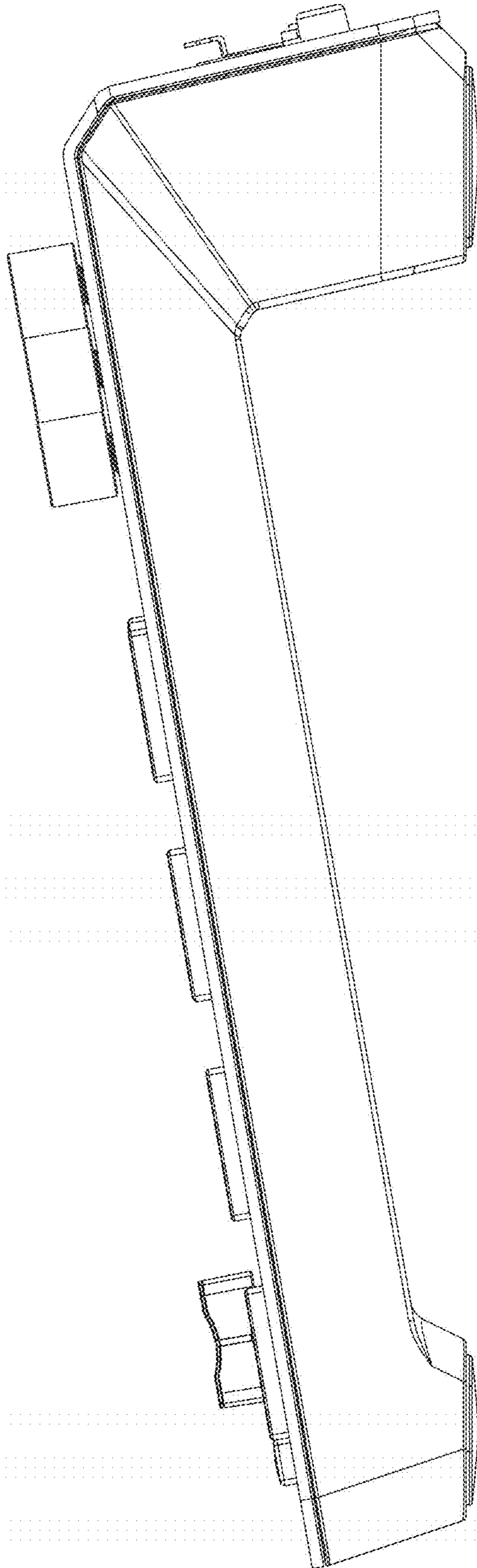


FIG. 6

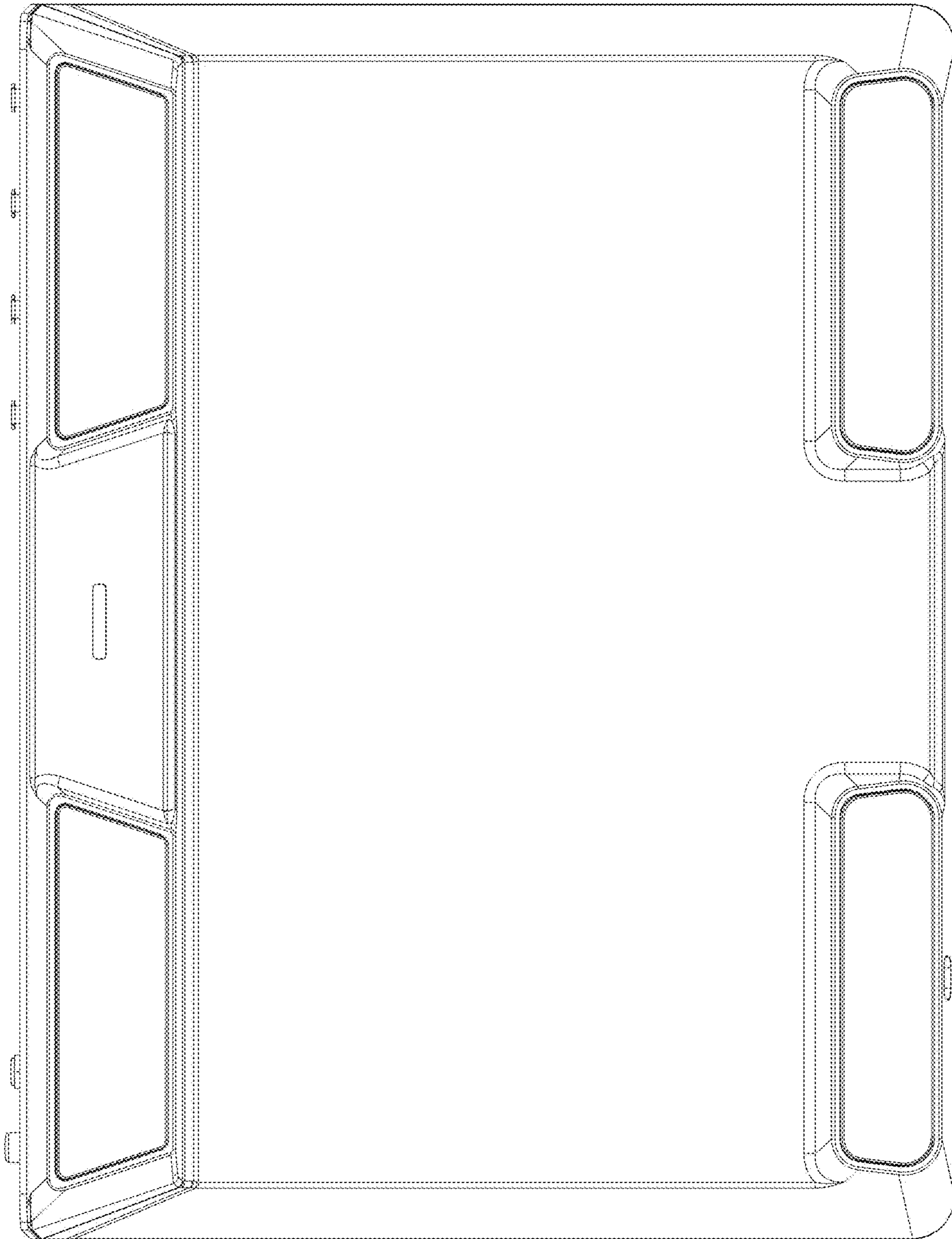


FIG. 7



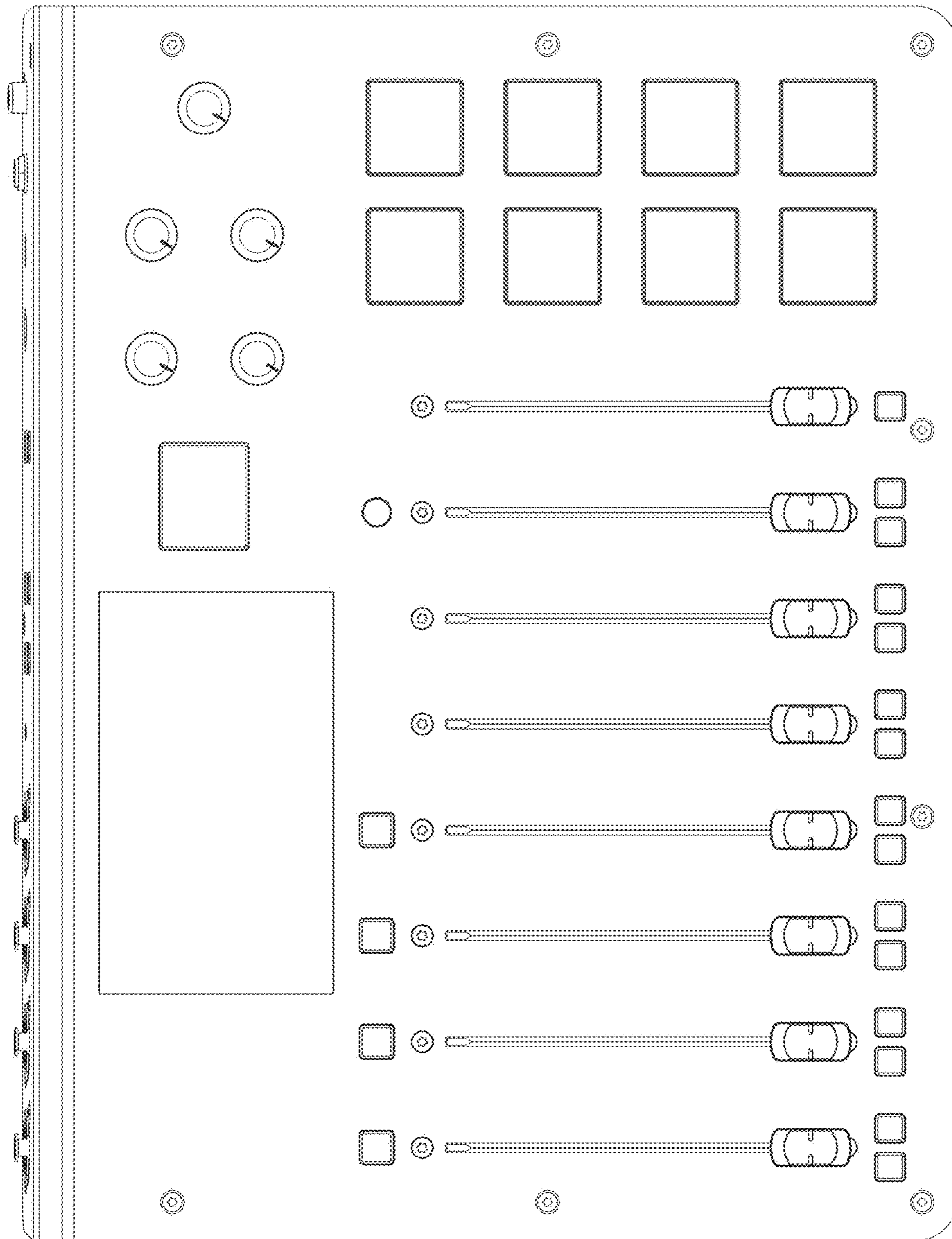


FIG. 8