



US00D895573S

(12) **United States Design Patent** (10) **Patent No.:** **US D895,573 S**
Koehn (45) **Date of Patent:** **** Sep. 8, 2020**

(54) **BAFFLES FOR LOUDSPEAKER**
(71) Applicant: **Dynaudio Holding A/S**, Skanderborg (DK)
(72) Inventor: **Malte Koehn**, Skanderborg (DK)
(73) Assignee: **Dynaudio Holding A/S**, Skanderborg (DK)
(**) Term: **15 Years**
(21) Appl. No.: **29/683,419**
(22) Filed: **Mar. 13, 2019**
(51) **LOC (12) Cl.** **14-01**
(52) **U.S. Cl.**
USPC **D14/214**; D14/213
(58) **Field of Classification Search**
USPC D14/214, 213, 211, 221, 204, 210, 215, D14/216, 217, 219, 224; 181/145, 146, 181/148, 151, 150, 199; 381/340, 345, 381/386, 152, 188, 353, 354; 455/90.3, 455/575.1, 569.1
CPC ... H05K 5/00; H04R 1/02; H04R 1/20; H04R 1/26; H04R 1/24; H04R 9/06
See application file for complete search history.

4,128,738 A * 12/1978 Gallery H04R 1/2819 181/146
4,130,174 A * 12/1978 Ostrander H04R 1/025 181/146
4,177,872 A * 12/1979 Watanabe H04R 1/26 181/144
4,214,645 A * 7/1980 Plourde H04R 1/02 181/148
D265,822 S * 8/1982 Hartwein D14/211
D265,990 S * 8/1982 Hartwein D14/214
D281,158 S * 10/1985 Ishizaki D14/214
4,884,655 A * 12/1989 Freadman H04R 1/26 181/145
D319,242 S * 8/1991 Furuno D14/204
D329,647 S * 9/1992 Frank D14/215
(Continued)

FOREIGN PATENT DOCUMENTS

EM 002366369-0001 * 12/2013
EM 007809868-0002 * 4/2020

Primary Examiner — Paula Allen Greene
(74) *Attorney, Agent, or Firm* — Woodard, Emhardt, Henry, Reeves & Wagner, LLP

(57) **CLAIM**

The ornamental design for baffles for loudspeaker, as shown and described.

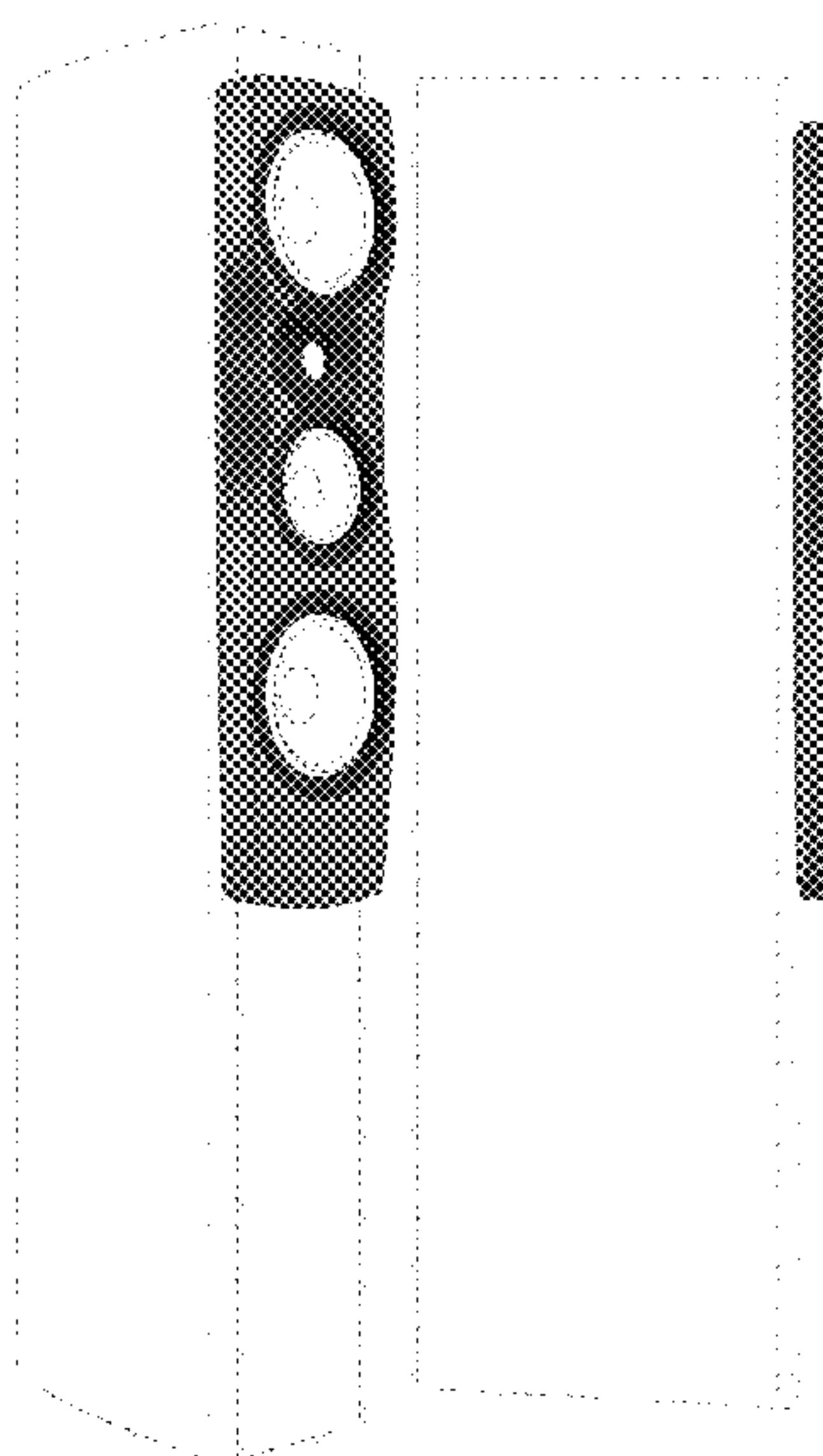
DESCRIPTION

FIG. 1 is a perspective view of baffles for loudspeaker showing my new design;
FIG. 2 is a front view thereof;
FIG. 3 is a right side view thereof;
FIG. 4 is a left side view thereof;
FIG. 5 is a top view thereof; and,
FIG. 6 is a bottom view thereof.
The broken lines illustrate portions of the environmental structure and form no part of the claimed design.

1 Claim, 4 Drawing Sheets

(56) **References Cited**
U.S. PATENT DOCUMENTS

3,138,220 A * 6/1964 Glindmeyer H04R 1/2888 181/199
3,165,587 A * 1/1965 Alderson H04R 1/2819 381/335
3,824,343 A * 7/1974 Dahlquist H04R 1/26 381/335
D239,035 S * 3/1976 Ross D14/214
3,967,065 A * 6/1976 Ward H04R 1/02 381/335
D242,552 S * 11/1976 Maeda D14/214
4,076,097 A * 2/1978 Clarke H04R 1/2834 181/147



(56)

References Cited

U.S. PATENT DOCUMENTS

5,324,896 A * 6/1994 Magnani H04R 1/24
181/144
D352,287 S * 11/1994 Yamamoto D14/210
D353,142 S * 12/1994 Yamamoto D14/210
D360,416 S * 7/1995 Yamamoto D14/210
D375,499 S * 11/1996 Meyer D14/214
5,802,190 A * 9/1998 Ferren H04R 1/26
181/144
D417,874 S * 12/1999 Suzuki D14/214
D421,608 S * 3/2000 Shintani D14/210
D422,593 S * 4/2000 Ito D14/214
D423,014 S * 4/2000 Ito D14/214
6,144,752 A * 11/2000 Chen H04R 1/023
181/199
D437,307 S * 2/2001 Tejima D14/214
D448,753 S * 10/2001 Masui D14/214
D462,338 S * 9/2002 Wong D14/215
D468,292 S * 1/2003 Nugent D14/214
D470,126 S * 2/2003 Ljungberg D14/214
D470,474 S * 2/2003 Kobayashi D14/215
D473,212 S * 4/2003 Nugent D14/214
6,550,579 B2 * 4/2003 Gibson E06C 1/387
182/161
D485,256 S * 1/2004 Allen D14/214
D486,474 S * 2/2004 Allen D14/215
D486,475 S * 2/2004 Allen D14/214
D494,565 S * 8/2004 Yao D14/211
D507,790 S * 7/2005 Dayan D14/211
D521,494 S * 5/2006 Koskinen D14/214
D540,779 S * 4/2007 Joseph D14/211
D542,777 S * 5/2007 Sato D14/172
D576,150 S * 9/2008 Lim D14/211

D578,109 S * 10/2008 Han D14/215
D580,408 S * 11/2008 Oikawa D14/214
D588,107 S * 3/2009 Khoo D14/215
D597,531 S * 8/2009 Cho D14/214
D645,450 S * 9/2011 Chen D14/215
D645,453 S * 9/2011 Kim D14/215
D657,777 S * 4/2012 Jursch D14/215
D672,750 S * 12/2012 Lee D14/215
D672,751 S * 12/2012 Davies D14/204
D676,025 S * 2/2013 Davies D14/204
D676,831 S * 2/2013 Onoue D14/215
D678,245 S * 3/2013 Davies D14/215
D678,246 S * 3/2013 Davies D14/204
D683,330 S * 5/2013 Ryu D14/209.1
D687,412 S * 8/2013 Davies D14/213
D704,680 S * 5/2014 Riemersma D14/222
D712,377 S * 9/2014 Delrue D14/213
D715,767 S * 10/2014 Woo D14/211
D716,262 S * 10/2014 Kim D14/215
D716,265 S * 10/2014 Park D14/215
D730,318 S * 5/2015 Park D14/214
D738,855 S * 9/2015 Park D14/213
D788,069 S * 5/2017 Pineau D14/204
D822,006 S * 7/2018 Moro D14/221
D823,281 S * 7/2018 Garrett D14/208
D843,975 S * 3/2019 Ge D14/221
2001/0031061 A1 * 10/2001 Coombs H04R 1/2826
381/349
2003/0002702 A1 * 1/2003 Cox H04R 1/025
381/340
2006/0151237 A1 * 7/2006 Oxford H04R 1/403
181/199
2012/0114148 A1 * 5/2012 Goh Kong San H04R 1/2834
381/186

* cited by examiner

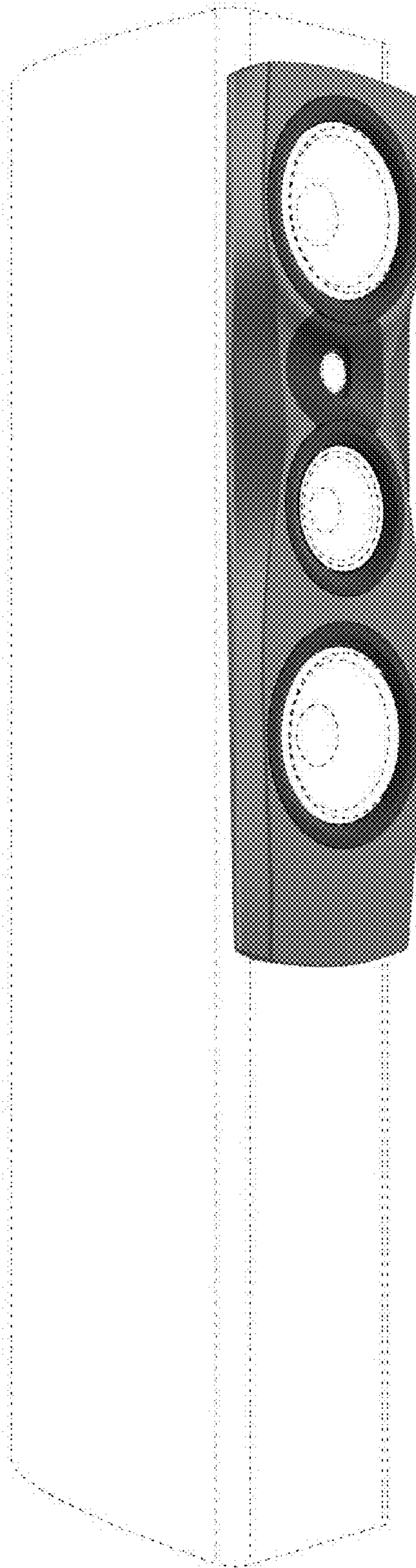


Fig. 1

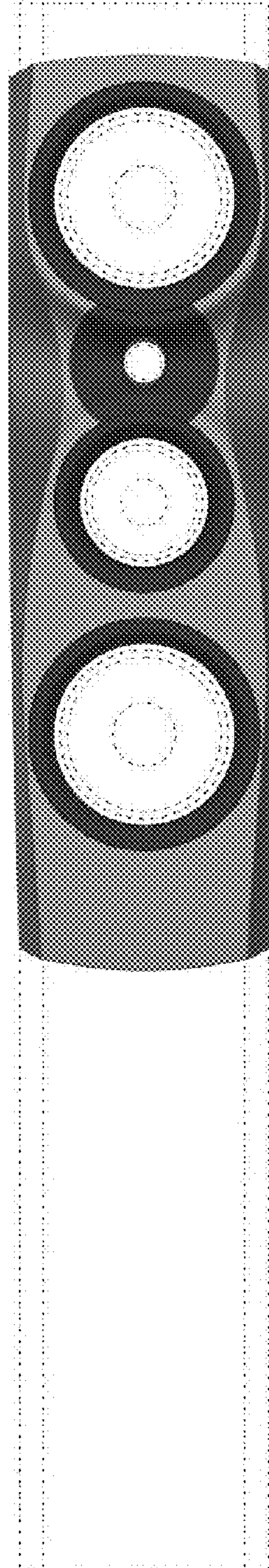


Fig. 2

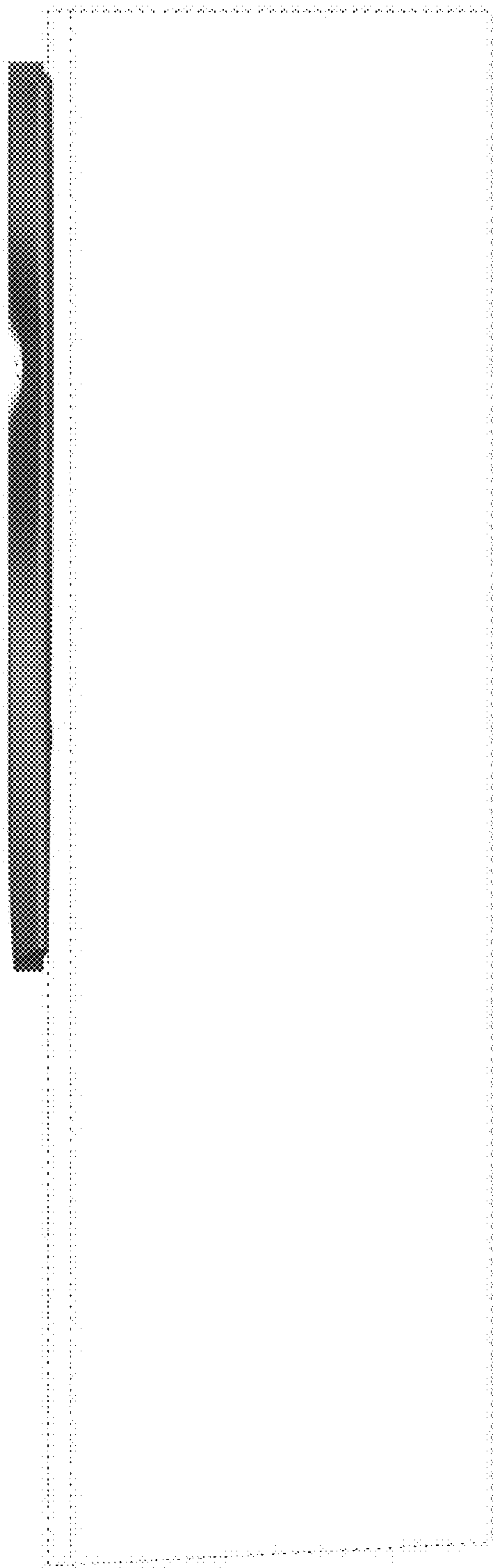


Fig. 3

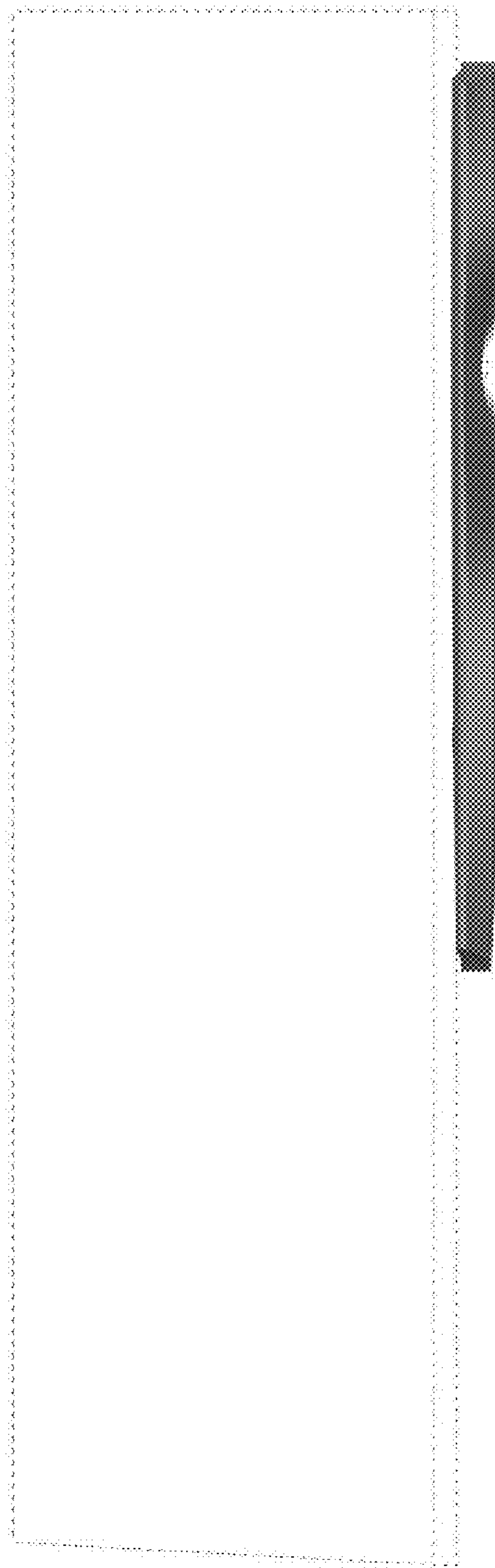


Fig. 4

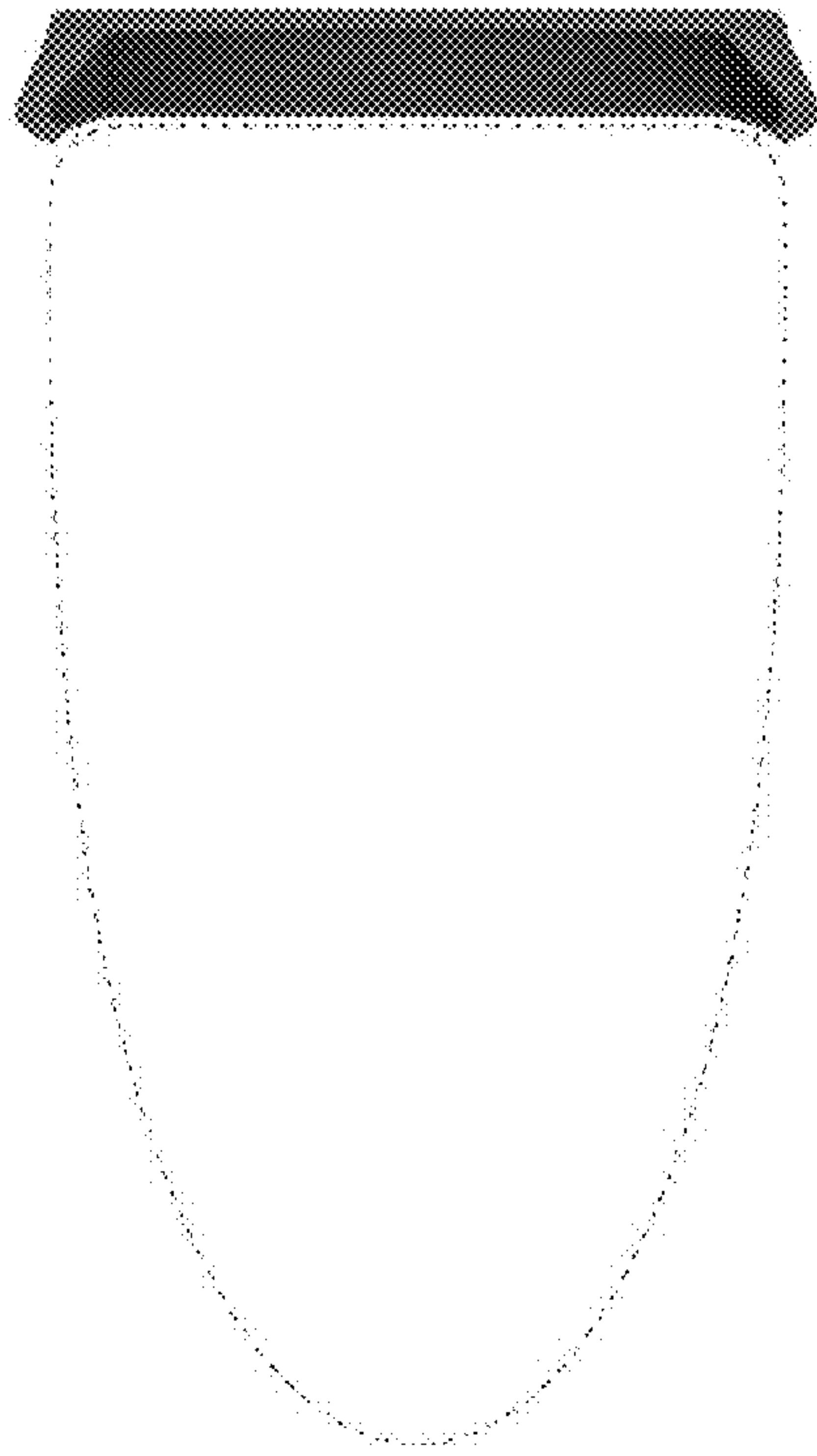


Fig. 5

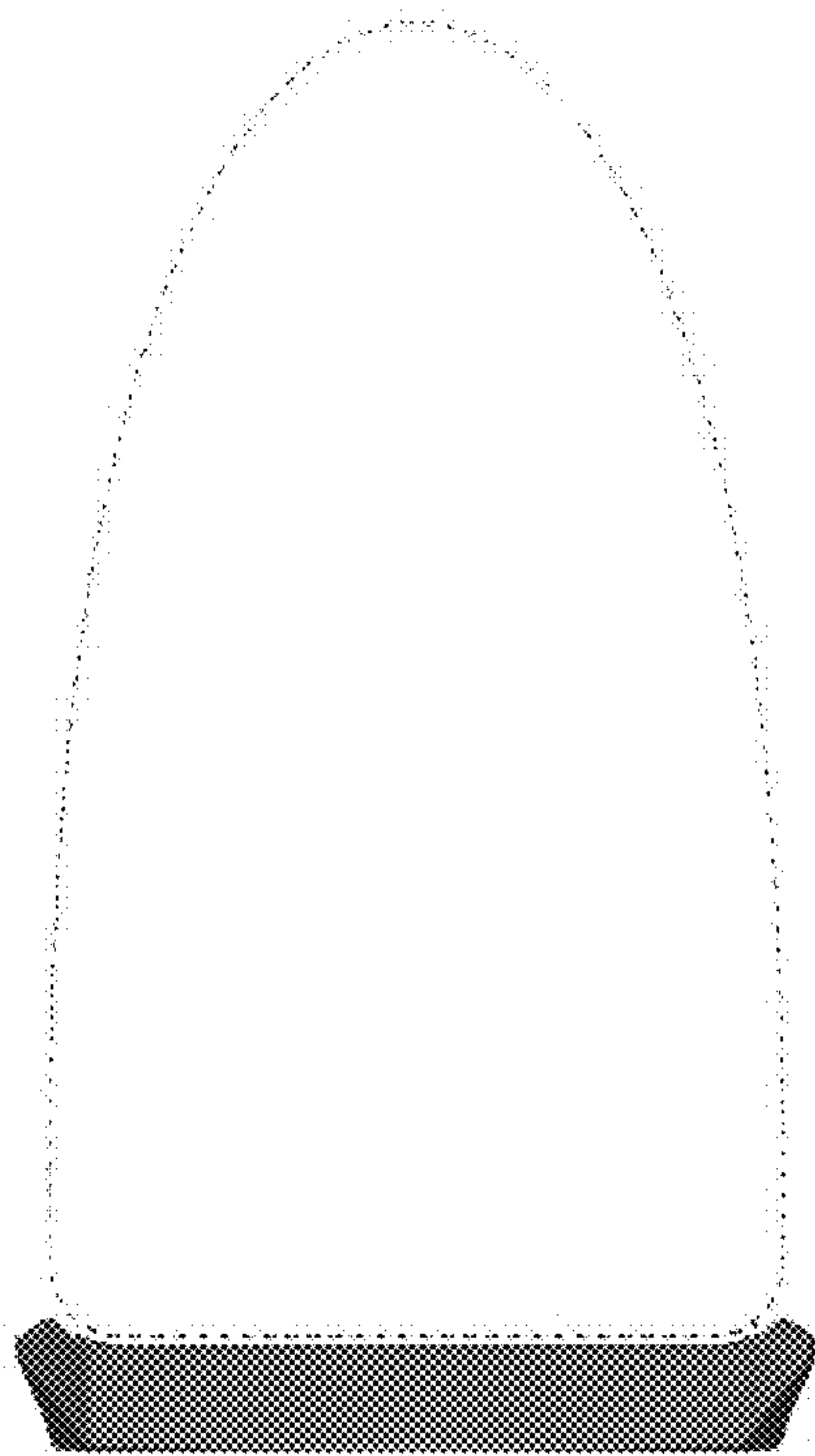


Fig. 6

UNITED STATES PATENT AND TRADEMARK OFFICE
CERTIFICATE OF CORRECTION

PATENT NO. : D895,573 S
APPLICATION NO. : 29/683419
DATED : September 8, 2020
INVENTOR(S) : Malte Koehn

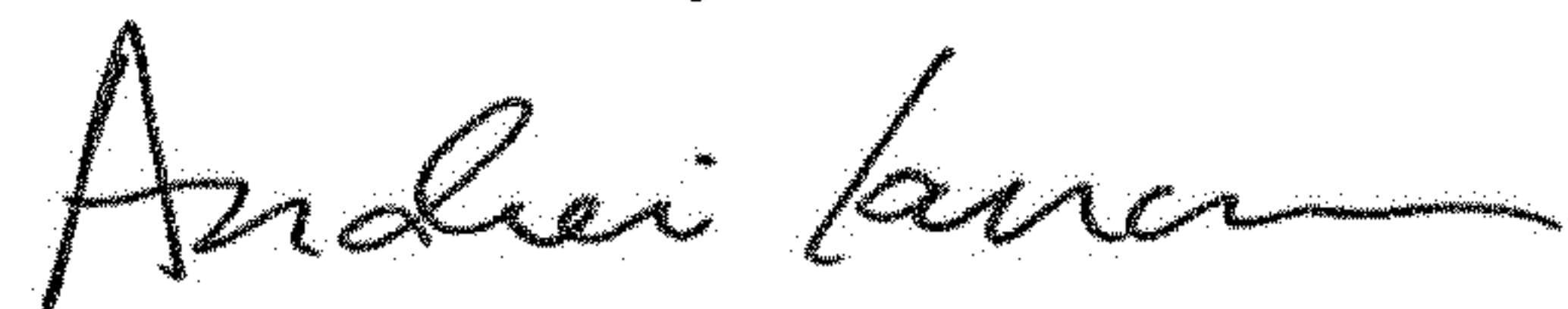
Page 1 of 1

It is certified that error appears in the above-identified patent and that said Letters Patent is hereby corrected as shown below:

On the Title Page

Insert Item (30), foreign priority, --EUIPO 005639242-0001 filed 09/13/2018--

Signed and Sealed this
Thirteenth Day of October, 2020



Andrei Iancu
Director of the United States Patent and Trademark Office