



US00D895572S

(12) **United States Design Patent** (10) **Patent No.:** **US D895,572 S**
Maeda et al. (45) **Date of Patent:** **** Sep. 8, 2020**

(54) **EARPHONE**
(71) Applicant: **JVC KENWOOD Corporation**,
Yokohama-shi, Kanagawa (JP)
(72) Inventors: **Takaaki Maeda**, Yokohama (JP);
Satoshi Yoshimura, Yokohama (JP);
Yui Ando, Yokohama (JP)
(73) Assignee: **JVC KENWOOD Corporation**,
Yokohama-shi (JP)
(**) Term: **15 Years**

D588,113 S * 3/2009 Bradford D14/223
D603,378 S * 11/2009 Paradise D14/223
D631,470 S * 1/2011 Yoneyama D14/223
D637,183 S * 5/2011 March D14/223
D640,242 S * 6/2011 Fahrendorff D14/223
D642,162 S * 7/2011 Wang D14/223
D643,420 S * 8/2011 Huang D14/223
D649,957 S * 12/2011 Fahrendorff D14/223
8,116,501 B2 * 2/2012 Kusuda H04M 1/05
381/380
D656,490 S * 3/2012 Birger D14/223
D676,026 S * 2/2013 Lee D14/223
D683,334 S * 5/2013 Gondo D14/223
D689,471 S * 9/2013 Hardi D14/223

(Continued)

(21) Appl. No.: **29/683,539**

(22) Filed: **Mar. 14, 2019**

(30) **Foreign Application Priority Data**

Dec. 19, 2018 (JP) 2018-027700

(51) **LOC (12) Cl.** **14-01**

(52) **U.S. Cl.**
USPC **D14/205**; D14/223

(58) **Field of Classification Search**
USPC D14/205, 223; 381/380, 381, 322, 370;
455/90.3, 575.1, 569.1
CPC H04R 1/1066; H04R 1/1016; H04R 25/00;
H04R 5/033; H04R 5/0335; H04R
1/1033; H04R 1/1091; H04R 1/105;
H04R 1/1083

See application file for complete search history.

(56) **References Cited**

U.S. PATENT DOCUMENTS

D167,873 S * 9/1952 Watson D24/174
D478,893 S * 8/2003 Corander D14/138 R
6,868,284 B2 * 3/2005 Bae H04M 1/05
379/428.02
D575,277 S * 8/2008 Gaarde D14/205
D581,396 S * 11/2008 Wikel D14/206
D582,897 S * 12/2008 Christopher D14/223

FOREIGN PATENT DOCUMENTS

CN 305049301 * 2/2019
WO D200156-001 * 11/2018

Primary Examiner — Paula Allen Greene

(74) *Attorney, Agent, or Firm* — Amin, Turocy & Watson,
LLP

(57) **CLAIM**

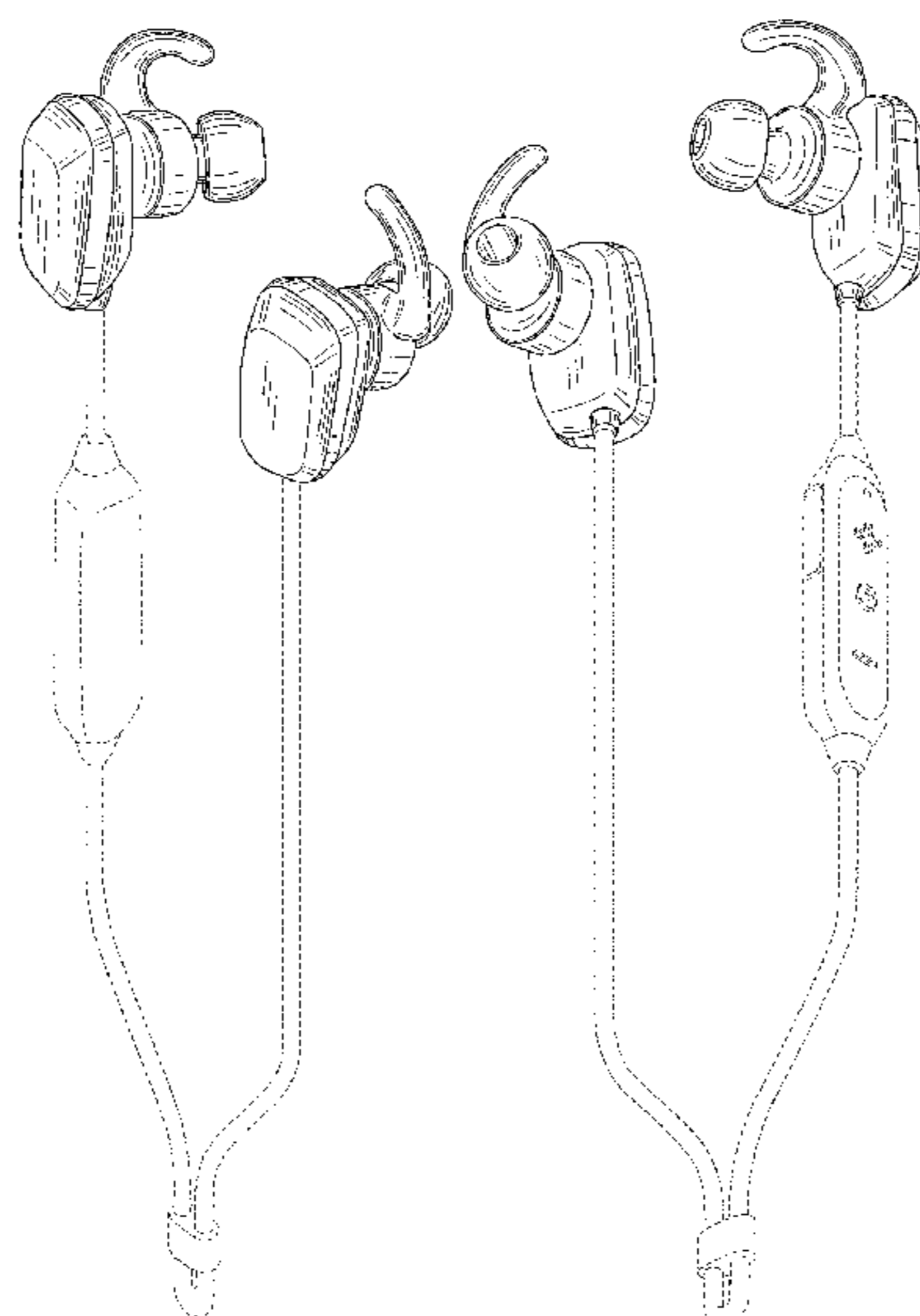
The ornamental design for an earphone, as shown and described.

DESCRIPTION

FIG. 1 is a first perspective view of an earphone showing the new design;
FIG. 2 is a second perspective view thereof;
FIG. 3 is a front elevational view thereof;
FIG. 4 is a rear elevational view thereof;
FIG. 5 is a top plan view thereof;
FIG. 6 is a bottom plan view thereof;
FIG. 7 is a left side elevational view thereof; and,
FIG. 8 is a right side elevational view thereof.

The broken lines in the drawings are for the purpose of illustrating portions of the earphone that form no part of the claimed design.

1 Claim, 6 Drawing Sheets



(56)

References Cited

U.S. PATENT DOCUMENTS

D693,796 S * 11/2013 Birger D14/223
 D695,721 S * 12/2013 Thompson D14/223
 D699,703 S * 2/2014 Schaal D14/205
 D700,905 S * 3/2014 Pavitsich D14/223
 D701,195 S * 3/2014 Katsumata D14/223
 D707,652 S * 6/2014 Brunner H04R 1/1016
 D711,858 S * 8/2014 Yang D14/205
 D719,550 S * 12/2014 Yang D14/223
 D725,082 S * 3/2015 Palmborg D14/223
 D728,533 S * 5/2015 Poulsen D14/223
 D733,103 S * 6/2015 Jeong D14/224
 D742,860 S * 11/2015 Miyake D14/223
 D743,947 S * 11/2015 Yoshimura D14/223
 D745,862 S * 12/2015 Otani D14/223
 D761,760 S * 7/2016 Poulsen D14/205
 D764,436 S * 8/2016 Dryden D14/205
 D764,445 S * 8/2016 Czaniecki D14/223
 D774,490 S * 12/2016 Lin D14/205
 D777,149 S * 1/2017 Bonahoom D14/223
 D780,714 S * 3/2017 Vogt, Jr. D14/205
 D782,442 S * 3/2017 Chen D14/205

D785,594 S * 5/2017 Zaihui D14/205
 D800,703 S * 10/2017 Vaclavik D14/223
 D801,950 S * 11/2017 Otani D14/223
 D803,816 S * 11/2017 Bolster D14/223
 D808,360 S * 1/2018 Arimoto D14/205
 D820,239 S * 6/2018 Yoshimura D14/223
 D820,240 S * 6/2018 Holliday D14/223
 D833,997 S * 11/2018 Ando D14/205
 D834,003 S * 11/2018 Maeda D14/223
 D838,692 S * 1/2019 Fu D14/223
 D853,994 S * 7/2019 Lin D14/223
 D855,588 S * 8/2019 Hao D14/223
 D856,303 S * 8/2019 Ando D14/205
 D866,528 S * 11/2019 Maeda D14/223
 2002/0106100 A1 * 8/2002 Kao H04R 1/1066
 381/381
 2003/0044038 A1 * 3/2003 Shirata H04R 1/105
 381/381
 2003/0235321 A1 * 12/2003 Lu H04R 1/1066
 381/381
 2004/0264720 A1 * 12/2004 Huang H04M 1/05
 381/315
 2013/0216087 A1 * 8/2013 MacDonald H04R 1/105
 381/381

* cited by examiner

Fig. 1

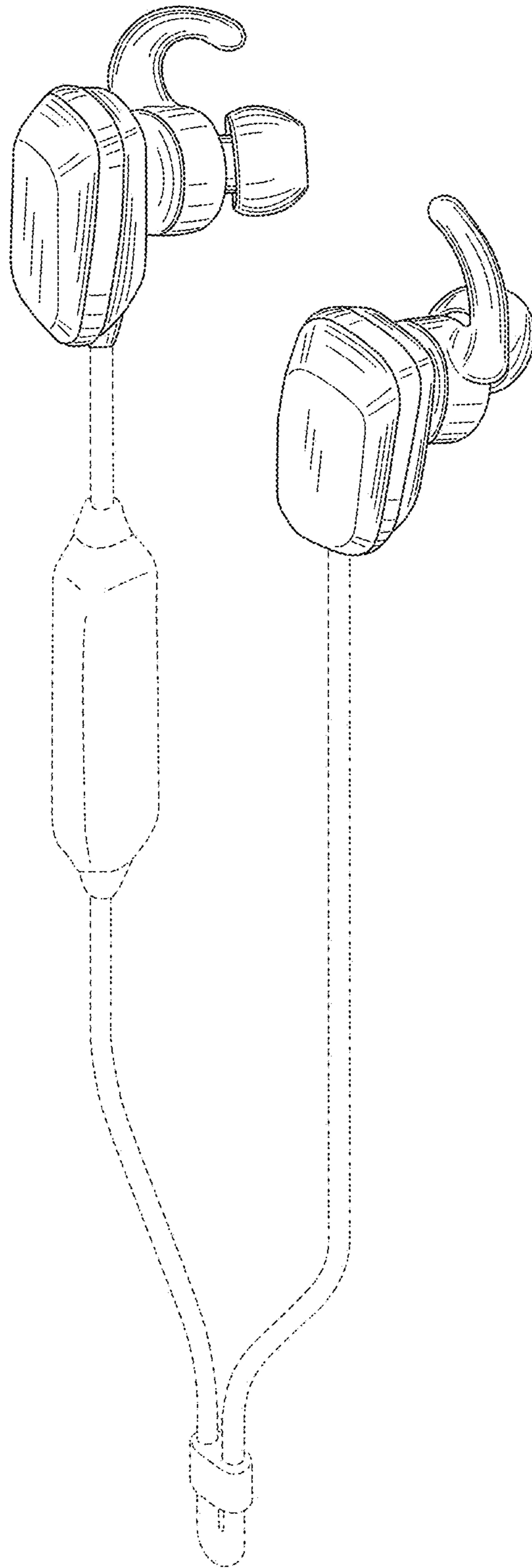


Fig.2

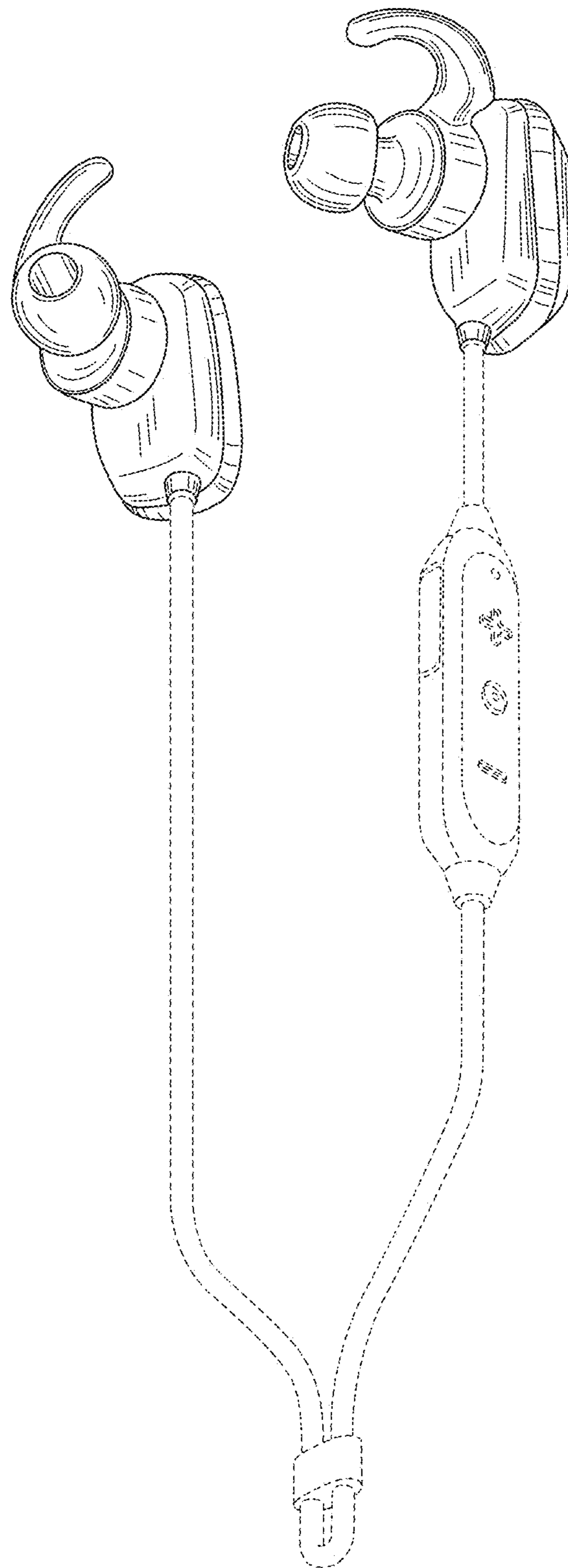


Fig.3

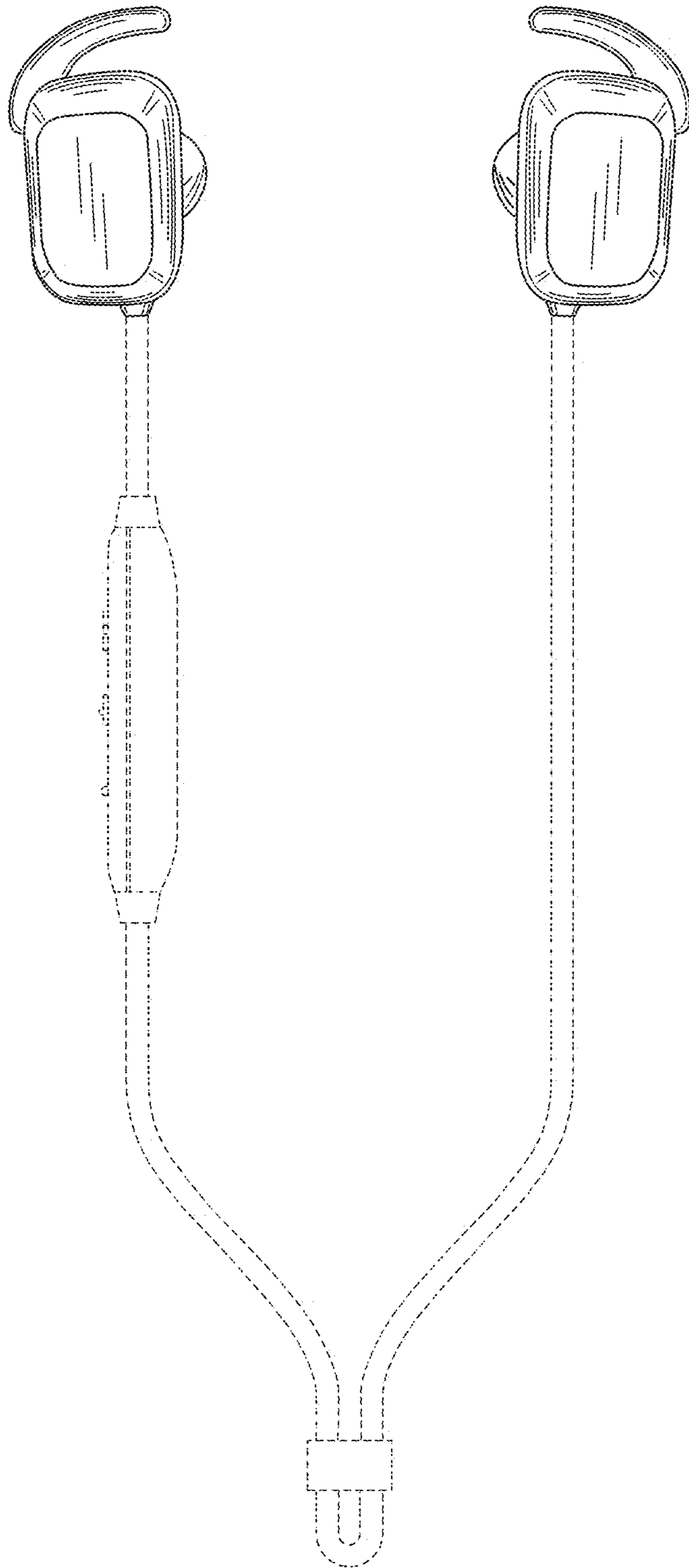


Fig.4

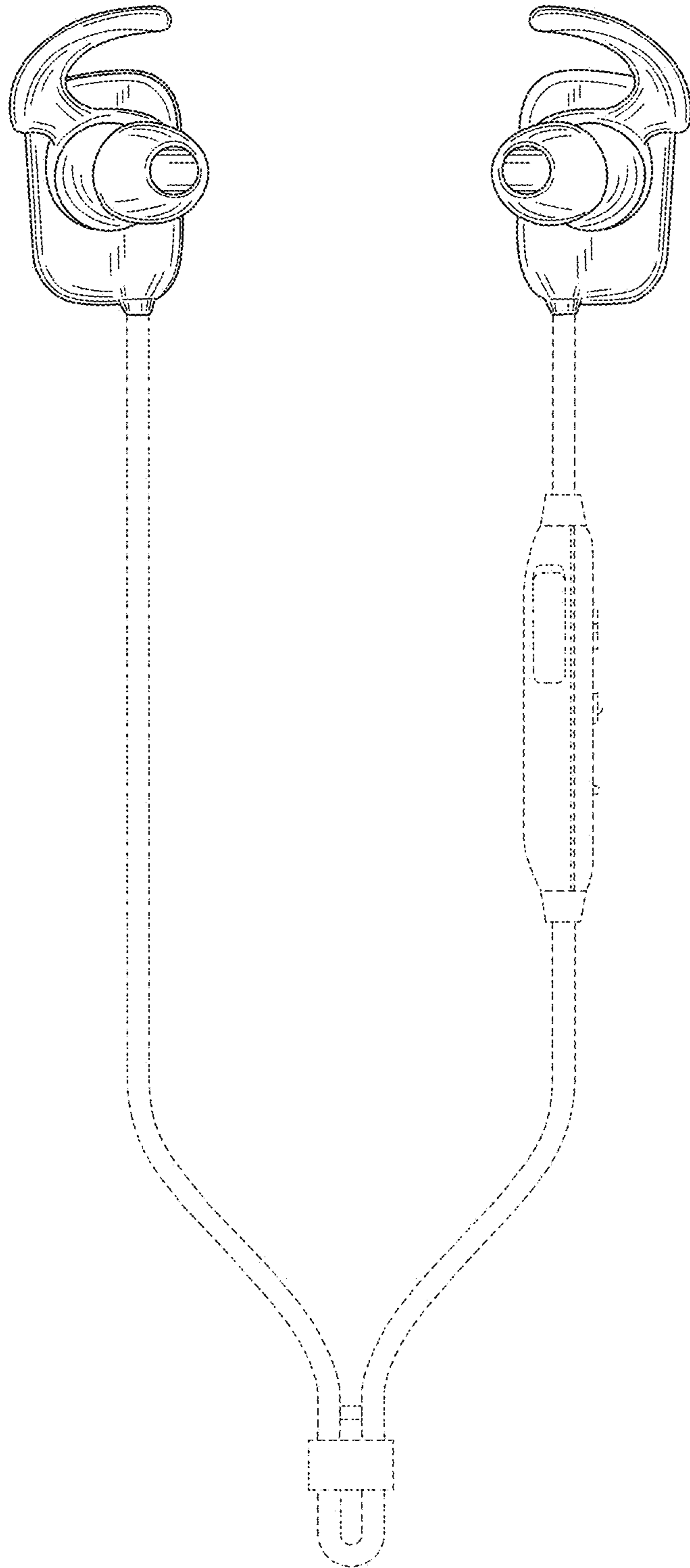


Fig.5

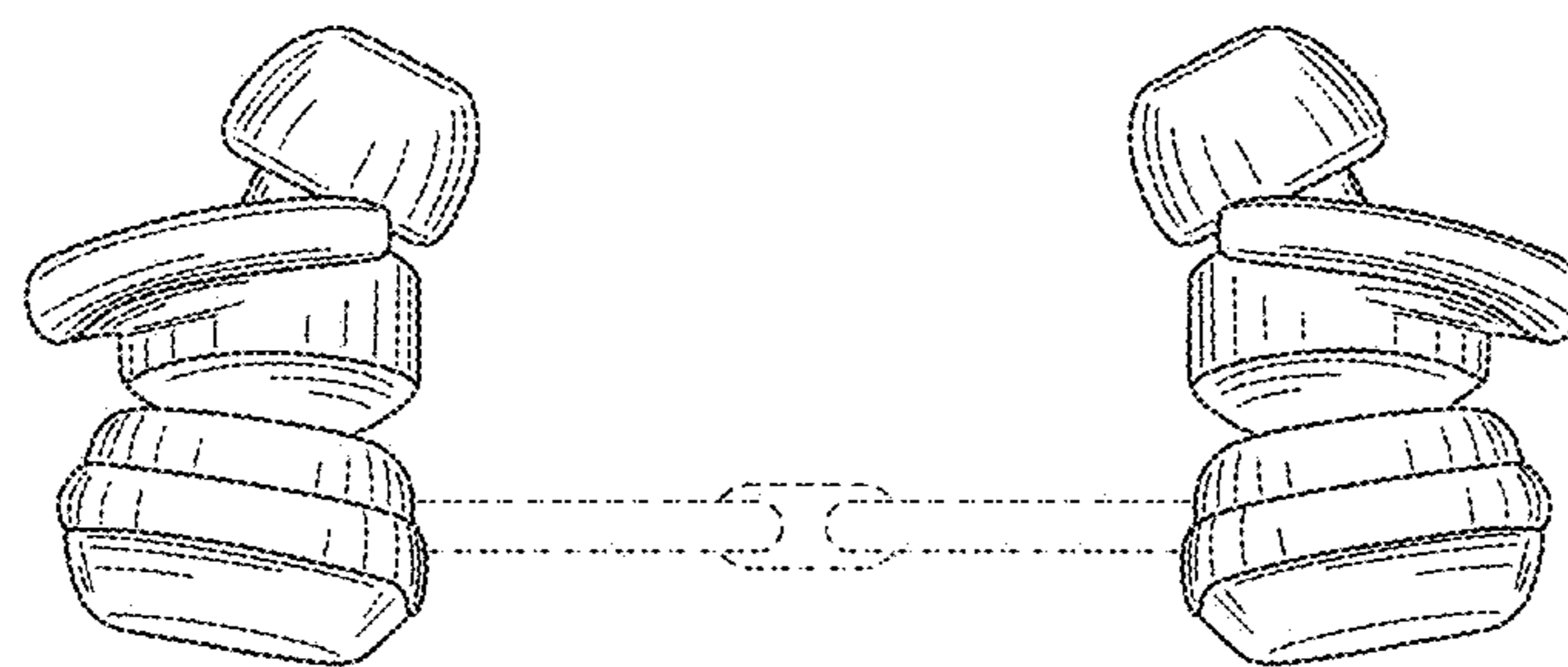


Fig.6

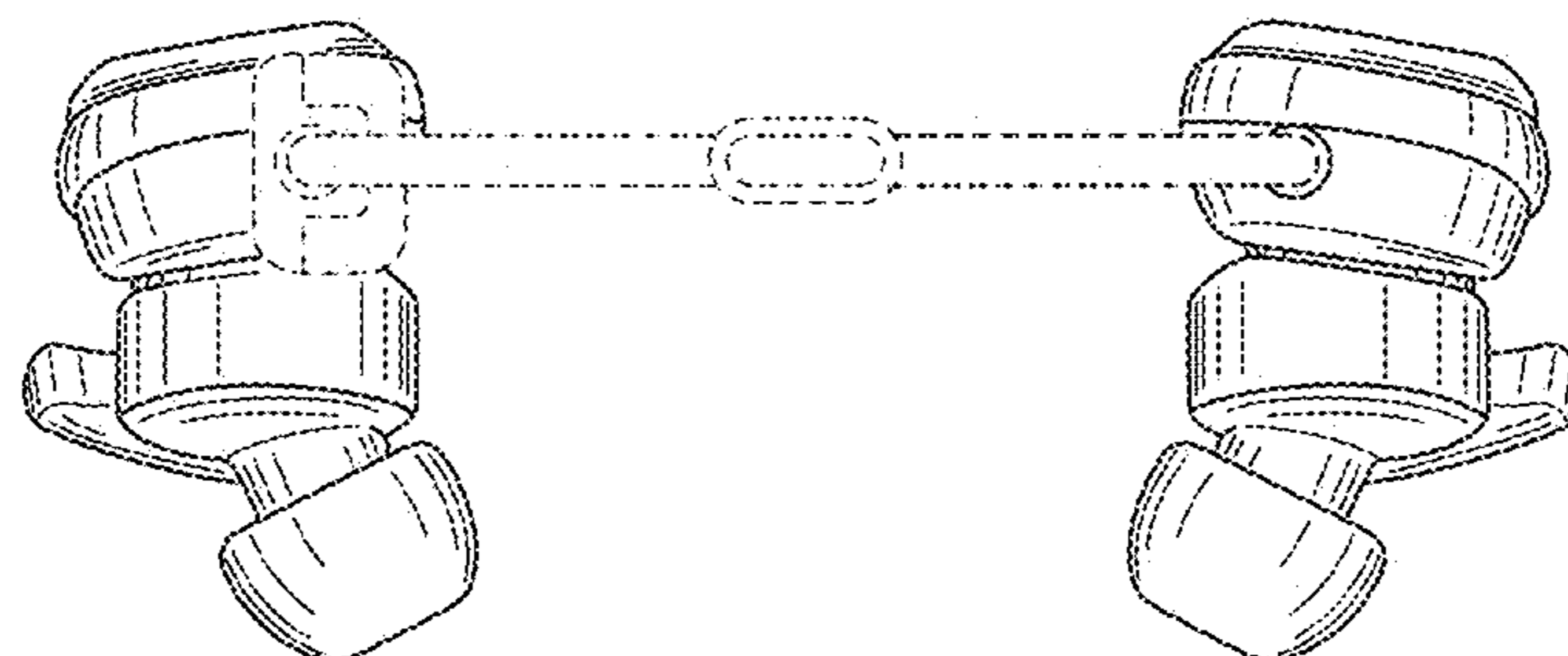


Fig.7

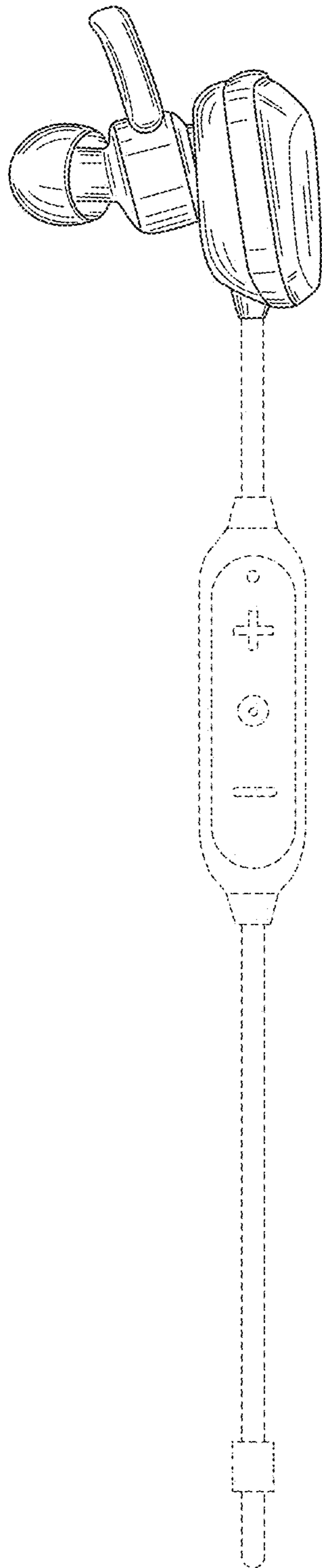


Fig.8

