



US00D895570S

(12) **United States Design Patent**
Choi et al.

(10) **Patent No.:** **US D895,570 S**

(45) **Date of Patent:** **** Sep. 8, 2020**

(54) **AUDIO HEADSET**

(71) Applicant: **Logitech Europe S.A.**, Lausanne (CH)

(72) Inventors: **Gary Choi**, Hsinchu (TW); **Chun-Wei Su**, Hsinchu (TW); **Pinpach Piyatiratitivorakul**, Hsinchu (TW)

(73) Assignee: **Logitech Europe S.A.**, Lausanne (CH)

(**) Term: **15 Years**

(21) Appl. No.: **29/668,769**

(22) Filed: **Nov. 1, 2018**

(51) **LOC (12) Cl.** **14-01**

(52) **U.S. Cl.**
USPC **D14/205**

(58) **Field of Classification Search**
USPC D14/206, 205, 188, 192, 226; D29/112;
2/209; 181/129, 130, 135; 379/430, 431;
381/380, 381, 374; 455/90.3, 575, 569.1
CPC H04R 1/1066; H04R 1/1016; H04R 5/033;
H04R 5/0335; H04R 25/00; H04R
1/1058; H04R 19/04
See application file for complete search history.

(56) **References Cited**

U.S. PATENT DOCUMENTS

6,560,346 B2 *	5/2003	Ohta	H04R 1/083 381/370
D505,413 S *	5/2005	Skulley	D14/223
D518,479 S *	4/2006	Skulley	D14/225
D571,354 S *	6/2008	Ng	D14/205
D654,472 S *	2/2012	Fischer	D14/206
D663,717 S *	7/2012	Hutchieson	D14/206
D666,168 S *	8/2012	Rath	D14/206
D673,929 S *	1/2013	Combs	D14/205
D684,559 S *	6/2013	Groset	D14/205
D686,593 S *	7/2013	Larsen	D14/205
D687,808 S *	8/2013	Combs	D14/205
D691,579 S *	10/2013	Lee	D14/205
D695,263 S *	12/2013	Mogili	D14/205

D712,871 S *	9/2014	McNamara	D14/205
D719,135 S *	12/2014	Kelley	D14/205
D750,041 S *	2/2016	Birger	D14/205
D763,226 S *	8/2016	Petersen	D14/205
D765,055 S *	8/2016	Hsieh	D14/205
D810,718 S *	2/2018	Galler	D14/205

(Continued)

FOREIGN PATENT DOCUMENTS

CN 302709786 * 1/2014

Primary Examiner — Paula Allen Greene

(74) *Attorney, Agent, or Firm* — Kilpatrick Townsend & Stockton LLP

(57) **CLAIM**

The ornamental design for the audio headset, as shown and described.

DESCRIPTION

FIG. 1 is a top perspective view of the audio headset showing our new design with a boom microphone configured in a first position, wherein the dashed lines shown on the ear cups are surface features that are not part of the claimed design;

FIG. 2 is a bottom perspective view thereof;

FIG. 3 is a top plan view thereof;

FIG. 4 is a bottom plan view thereof;

FIG. 5 is a front elevation view thereof;

FIG. 6 is a rear elevation view thereof;

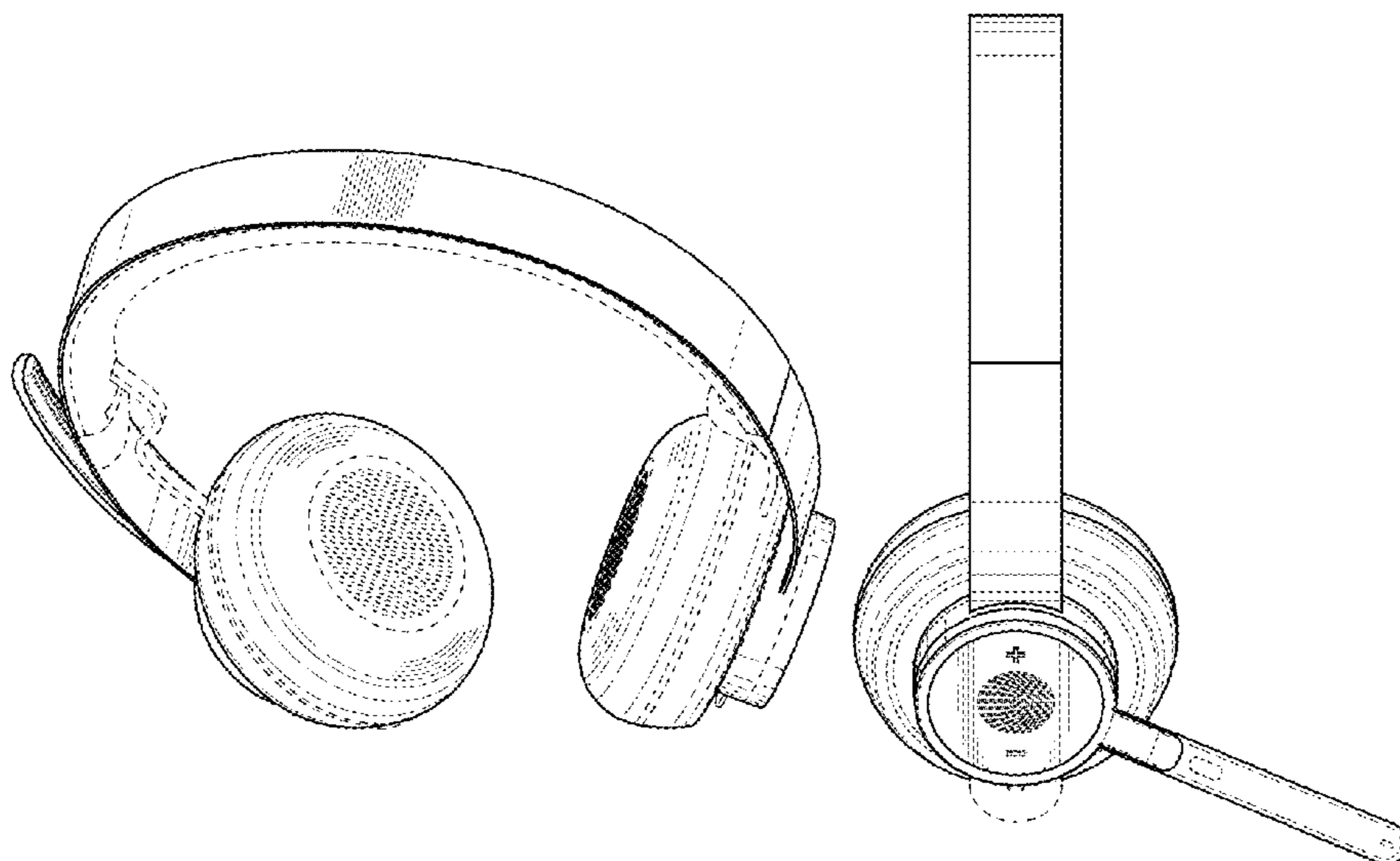
FIG. 7 is a left side elevation view thereof;

FIG. 8 is a right side elevation view thereof; and,

FIG. 9 is a left side elevation view with the boom microphone configured in a second position.

The broken lines immediately adjacent to the shaded areas represent the bounds of the claimed design while all other broken lines are directed to environment and are for illustrative purposes only; the broken lines form no part of the claimed design.

1 Claim, 6 Drawing Sheets



(56)

References Cited

U.S. PATENT DOCUMENTS

D811,362 S *	2/2018	Petersen	D14/205
D848,395 S *	5/2019	Kelley	D14/205
D851,627 S *	6/2019	ter Laag	D14/205
D856,303 S *	8/2019	Ando	D14/205
D864,898 S *	10/2019	Chen	D14/205
D866,509 S *	11/2019	Lindof	D14/206
D866,510 S *	11/2019	Lindof	D14/206
D866,513 S *	11/2019	Lindof	D14/206
D866,514 S *	11/2019	Lindof	D14/206
D870,069 S *	12/2019	Hu	D14/206
2014/0177884 A1 *	6/2014	Minarik	H04R 1/1066 381/309

* cited by examiner

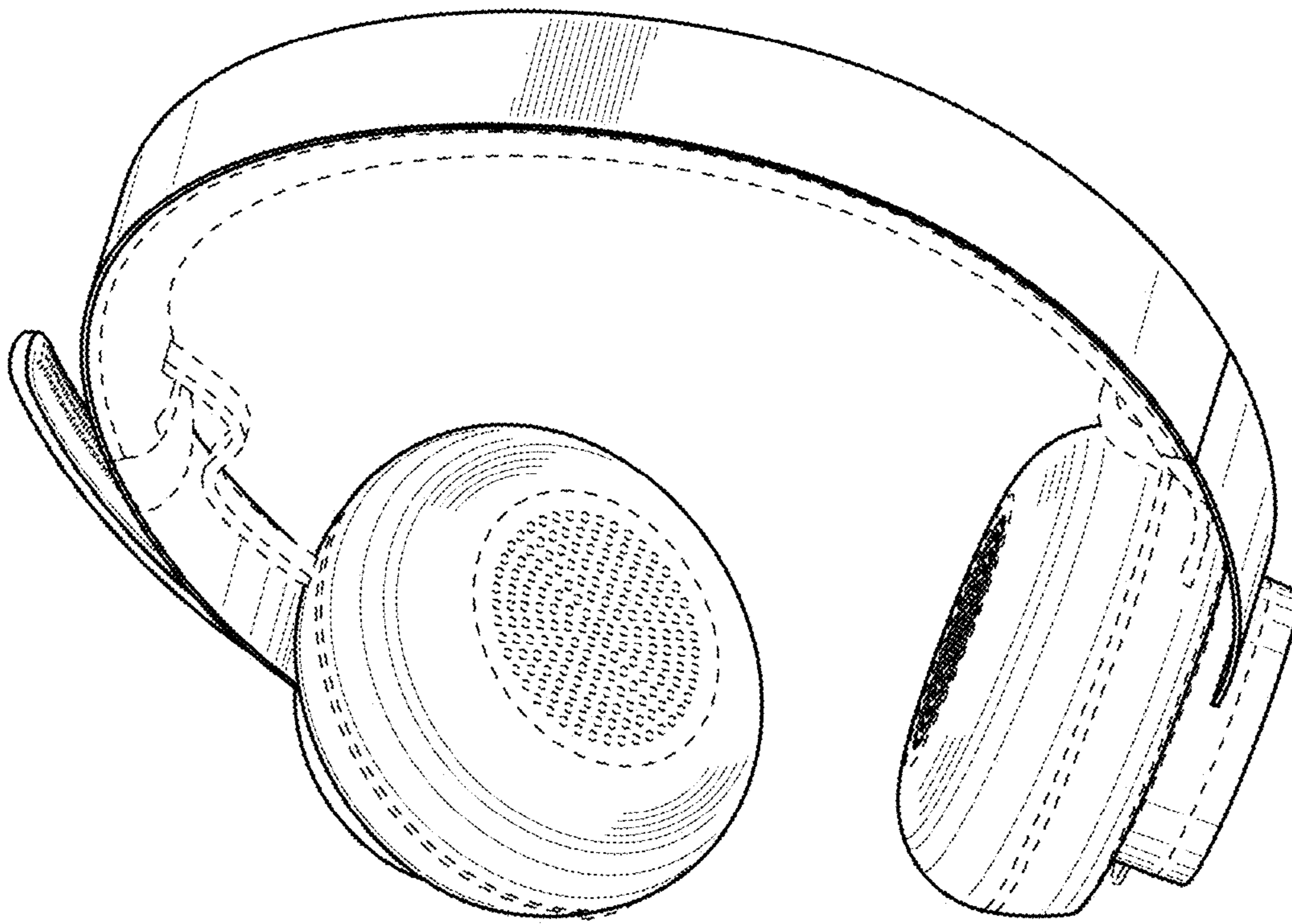


FIG. 1

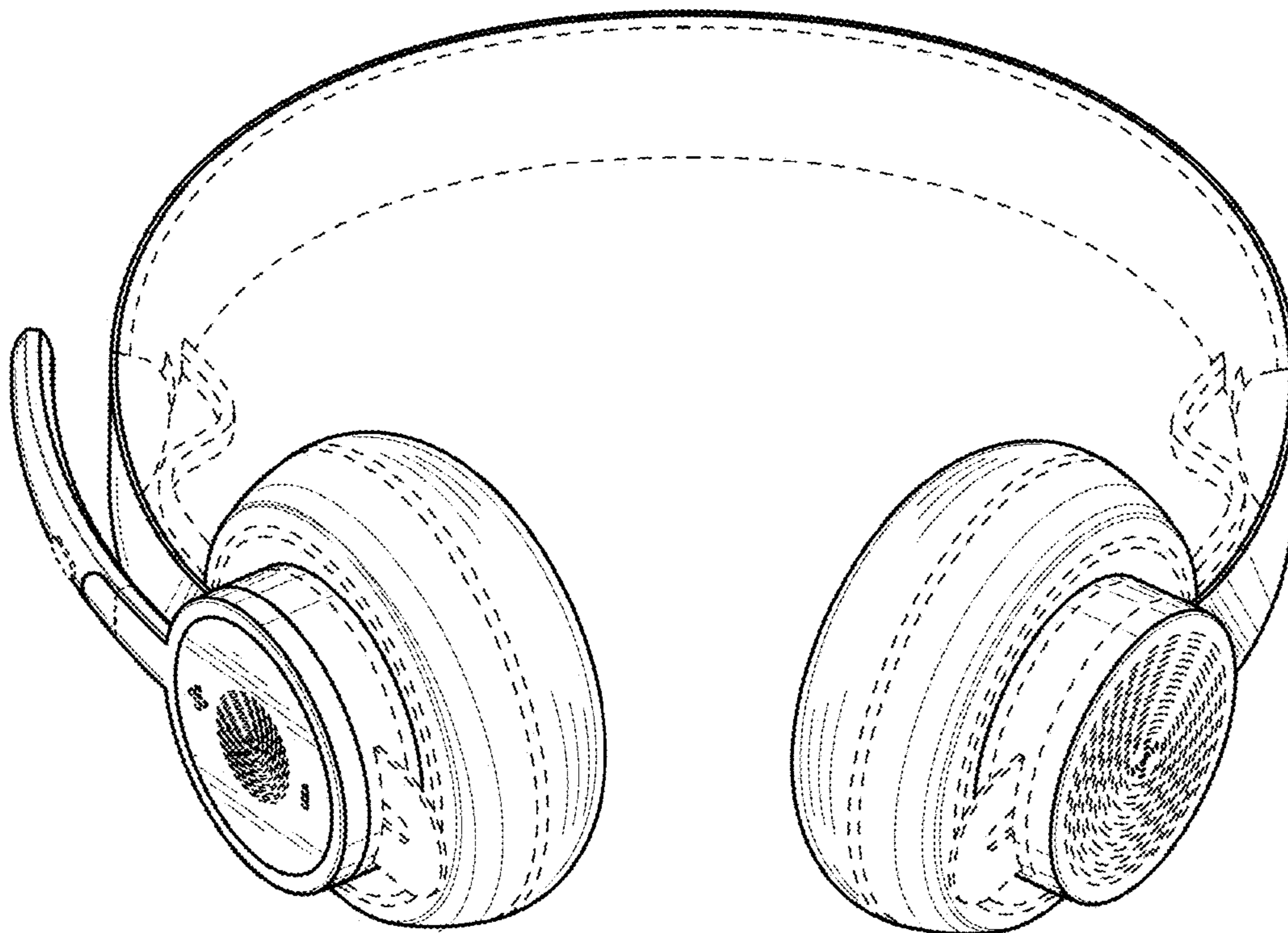


FIG. 2

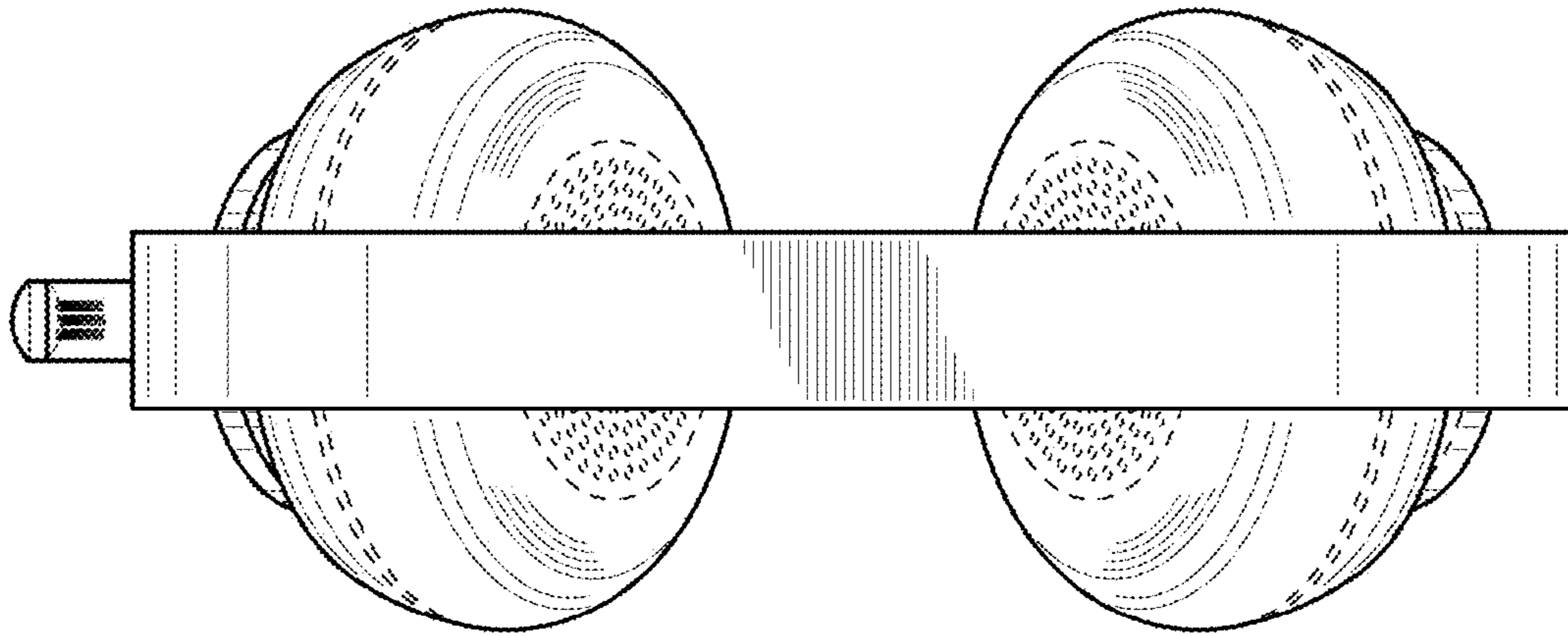


FIG. 3

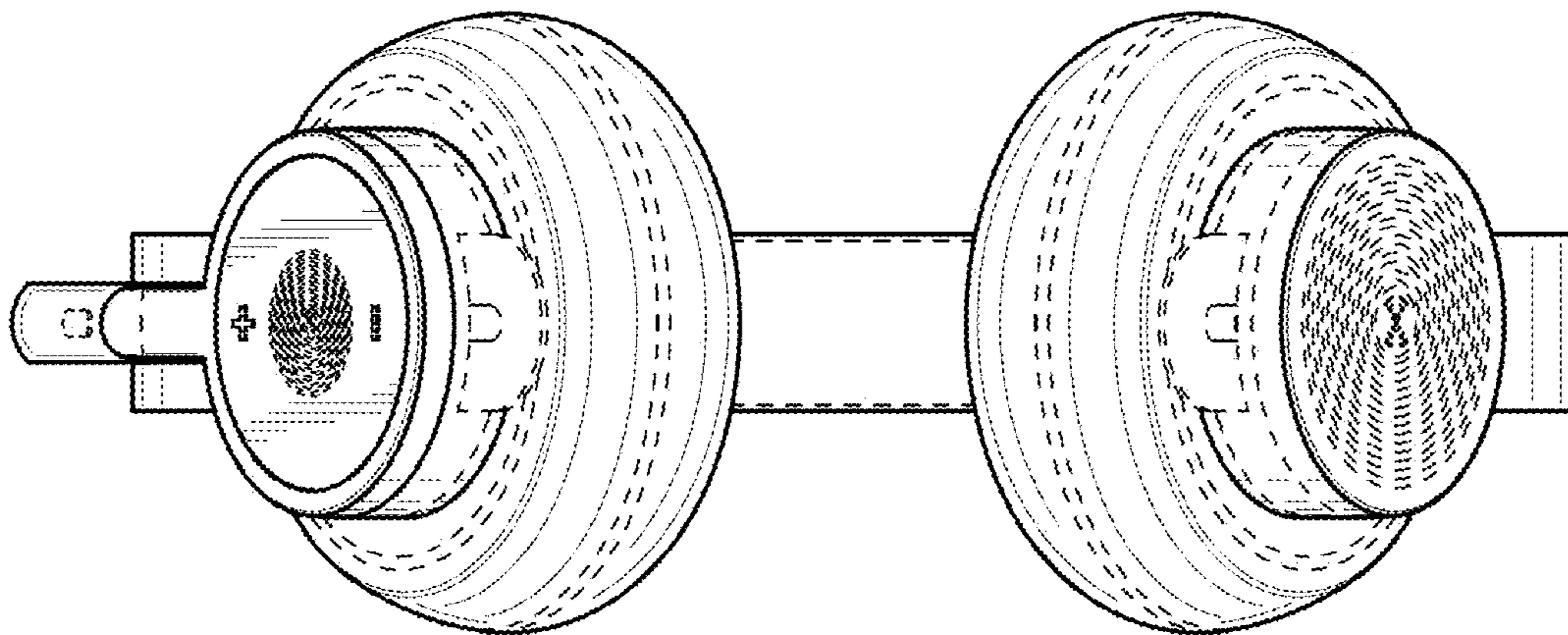


FIG. 4

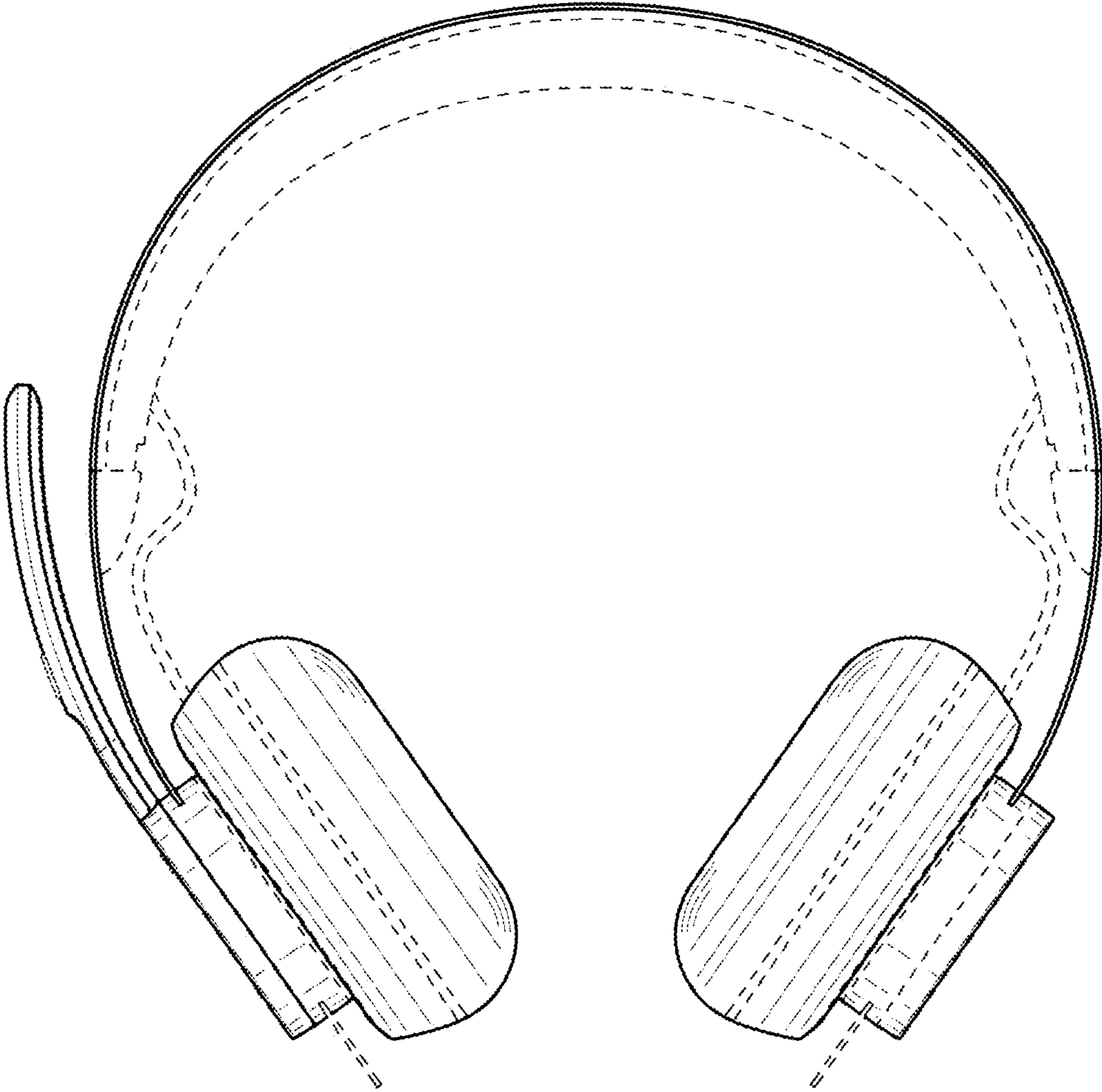


FIG. 5

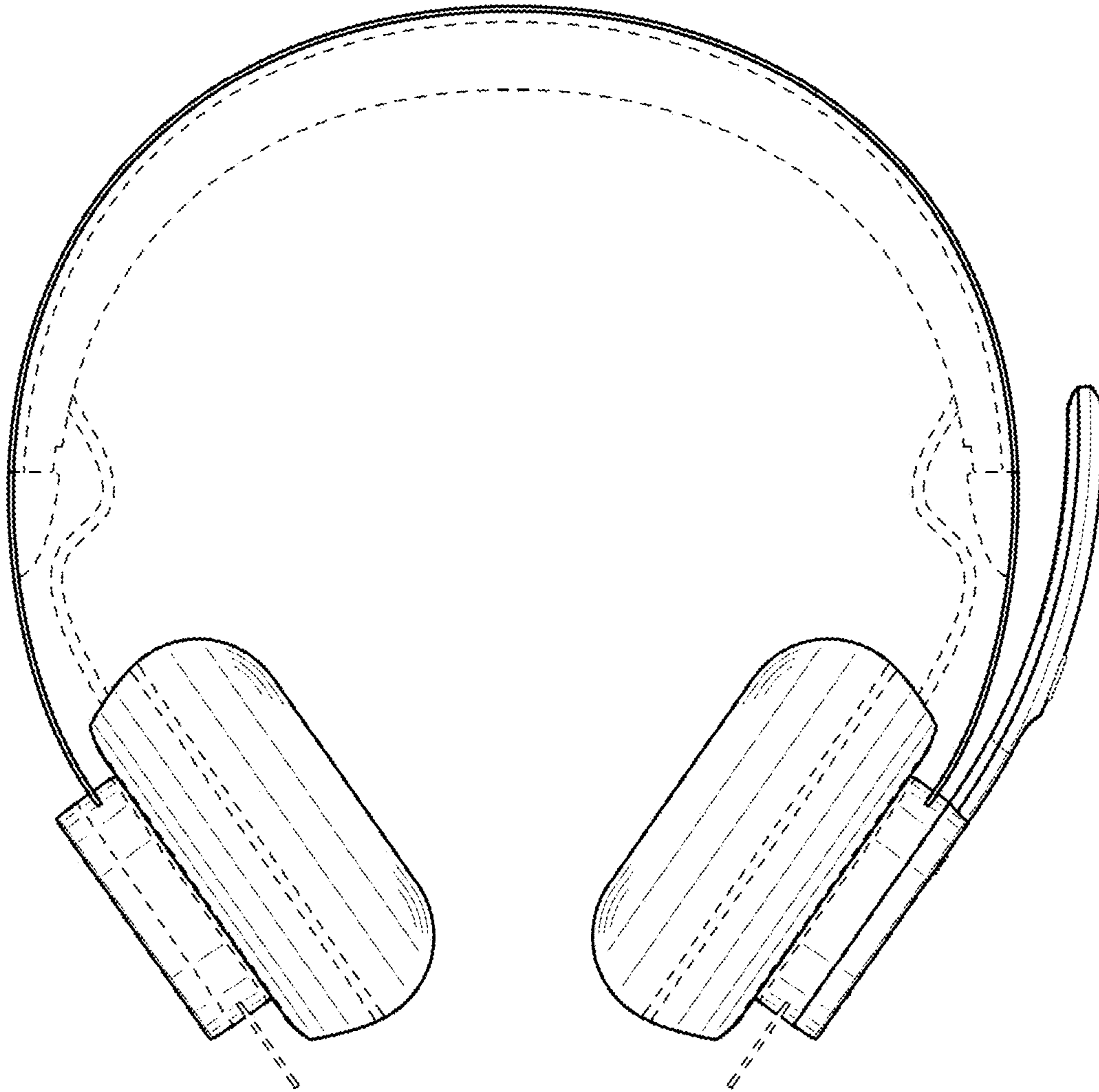


FIG. 6

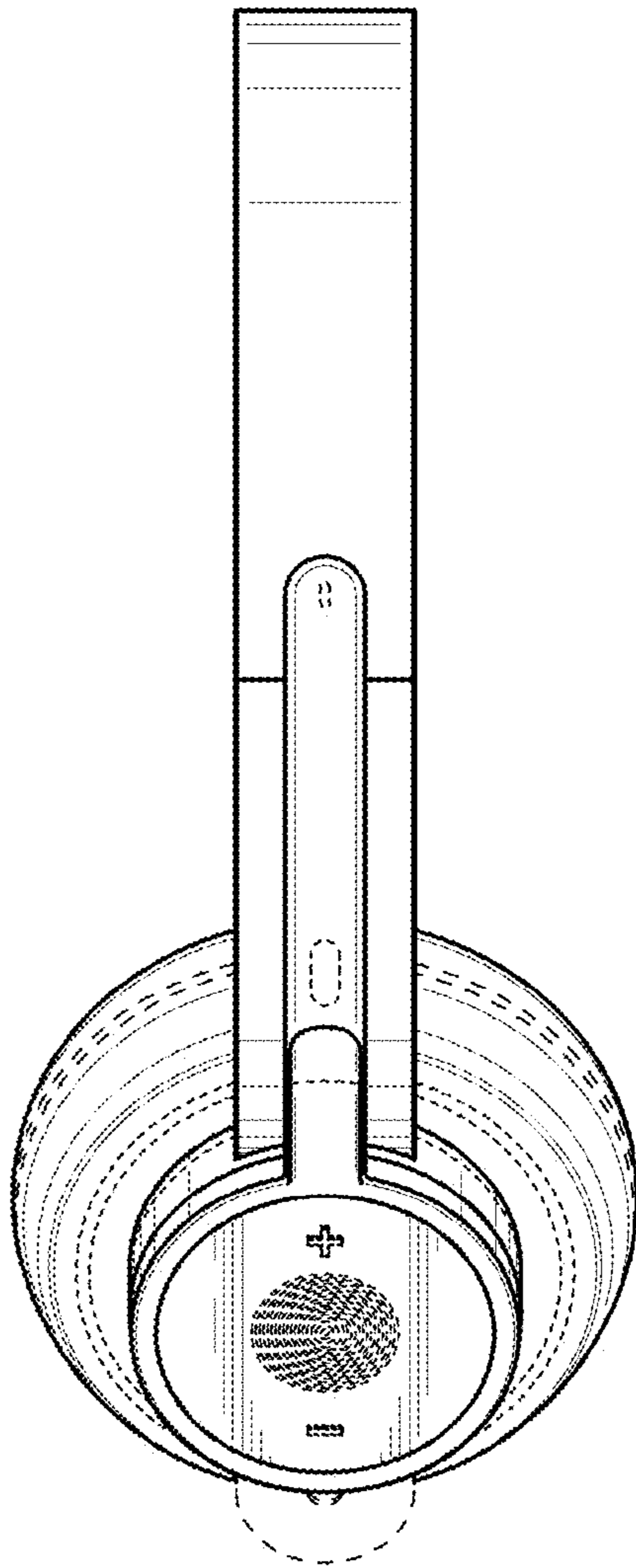


FIG. 7

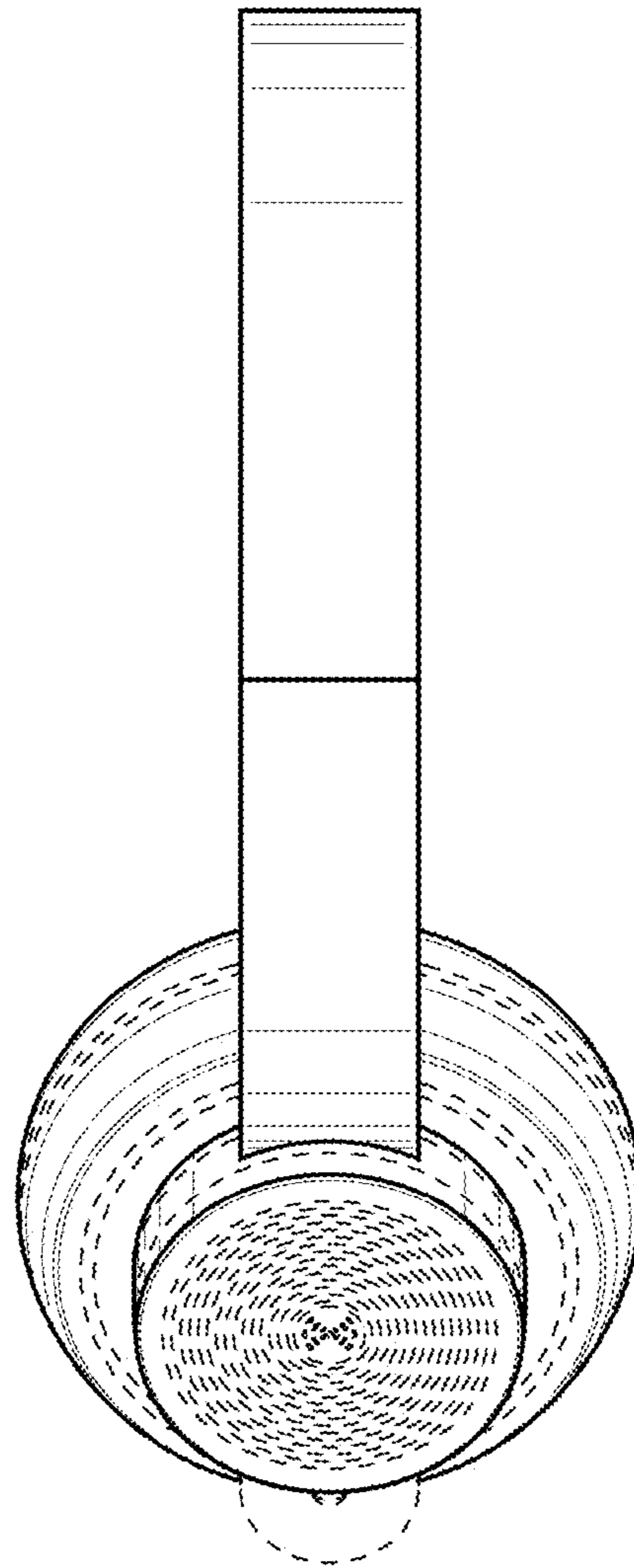


FIG. 8

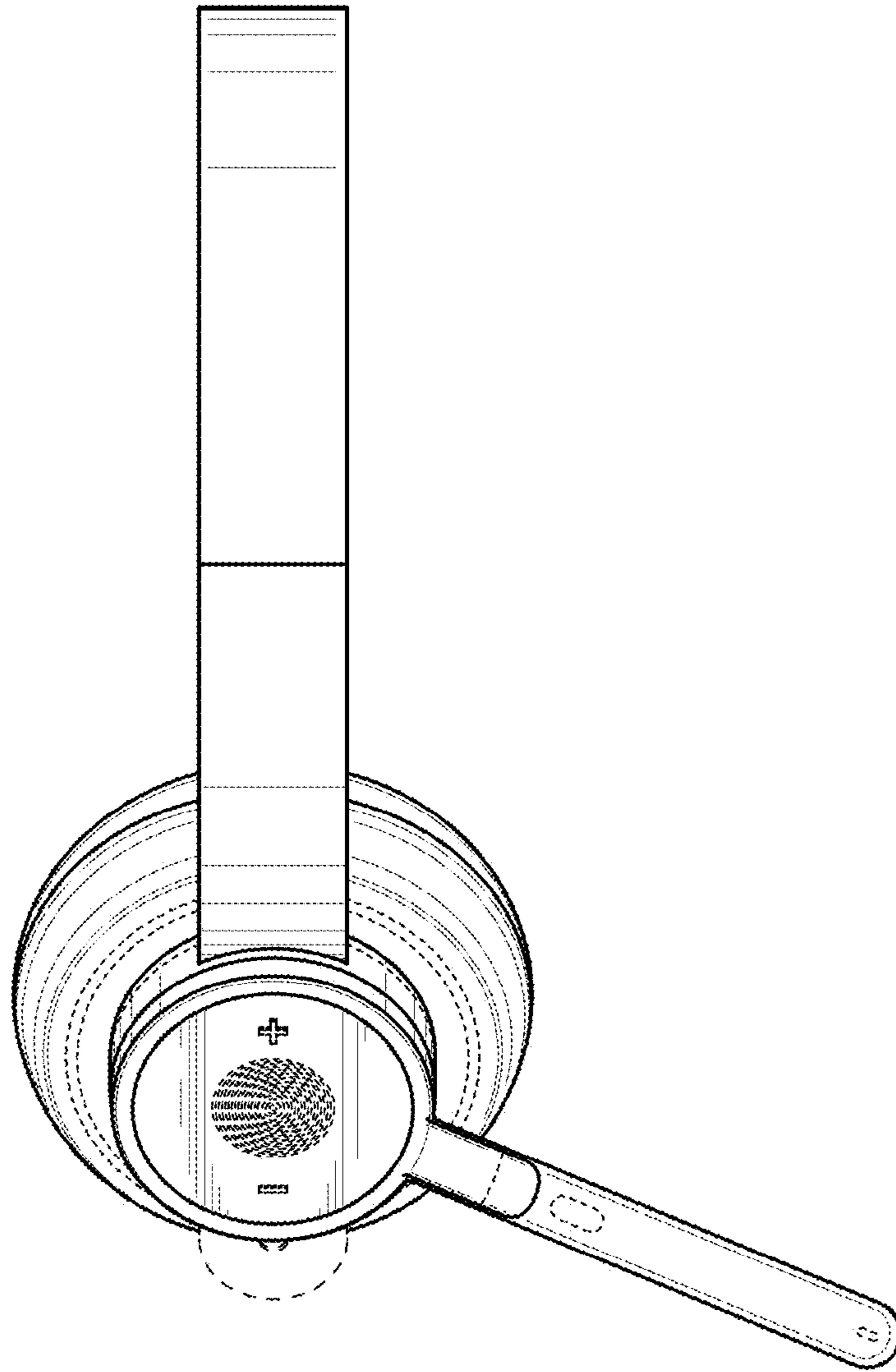


FIG. 9