



US00D895566S

(12) **United States Design Patent** (10) **Patent No.:** **US D895,566 S**  
**Laube et al.** (45) **Date of Patent:** **\*\* Sep. 8, 2020**

(54) **SPEAKER WITH AMPLIFIER**

(71) Applicant: **Biamp Systems, LLC**, Beaverton, OR (US)

(72) Inventors: **Douglas Laube**, Plano, TX (US);  
**Myrna Lefke Lewis**, Austin, TX (US)

(73) Assignee: **Biamp Systems, LLC**, Beaverton, OR (US)

(\*\*) Term: **15 Years**

(21) Appl. No.: **29/679,318**

(22) Filed: **Feb. 4, 2019**

(51) **LOC (12) Cl.** ..... **14-03**

(52) **U.S. Cl.**  
USPC ..... **D14/172; D14/188; D14/211**

(58) **Field of Classification Search**  
USPC ..... D14/496–511, 168–172, 188–196,  
D14/203.1–203.8, 204, 207, 209.1–216,  
D14/217  
CPC ..... B60K 35/00; B60K 37/00; B60K 37/02;  
B60K 37/06; B60R 11/02; G11B 17/02;  
G11B 17/04  
See application file for complete search history.

4,965,775 A 10/1990 Elko et al.  
D315,736 S \* 3/1991 Takagi ..... D14/172  
D328,419 S 8/1992 Brayford  
5,444,194 A 8/1995 Reinke  
D439,376 S 3/2001 Lerolle  
D449,777 S 10/2001 Vignon  
6,333,984 B1 12/2001 Yang  
D454,282 S 3/2002 Mano  
D465,149 S 11/2002 Bennett et al.  
D477,535 S 7/2003 Thorpe  
D486,816 S \* 2/2004 Nakajima ..... D14/169  
D488,800 S 4/2004 Wiener  
D519,376 S 4/2006 Ames  
D521,979 S \* 5/2006 Ishibashi ..... D14/211  
D526,310 S 8/2006 Pantaleone  
D529,019 S \* 9/2006 Lim ..... D14/172  
D533,166 S 12/2006 Marquez  
D542,115 S 5/2007 Hanna et al.  
D572,586 S 7/2008 Medema  
D604,712 S \* 11/2009 Smith ..... D14/188  
D616,304 S 5/2010 Prunier et al.  
D620,482 S 7/2010 Chen  
D626,289 S 10/2010 Lee  
D640,667 S 6/2011 Lee et al.

(Continued)

OTHER PUBLICATIONS

Biamp Desono P6-SM, publication date not available, [retrieved May 29, 2020], Retrieved from internet, URL: (Year: 2020).

(Continued)

(56) **References Cited**  
U.S. PATENT DOCUMENTS

2,095,648 A 10/1937 John  
D134,735 S 1/1943 Tompkins  
D146,992 S 6/1947 Rutan  
D179,458 S 12/1956 Ohno  
3,071,938 A 1/1963 Hodge  
3,170,538 A 2/1965 Detrick  
D201,320 S 6/1965 Hrohama  
3,277,292 A 10/1966 Horan  
3,562,446 A 2/1971 Wolf  
4,533,984 A 8/1985 Gatton  
4,889,303 A 12/1989 Wolf

Primary Examiner — Sandra L Morris

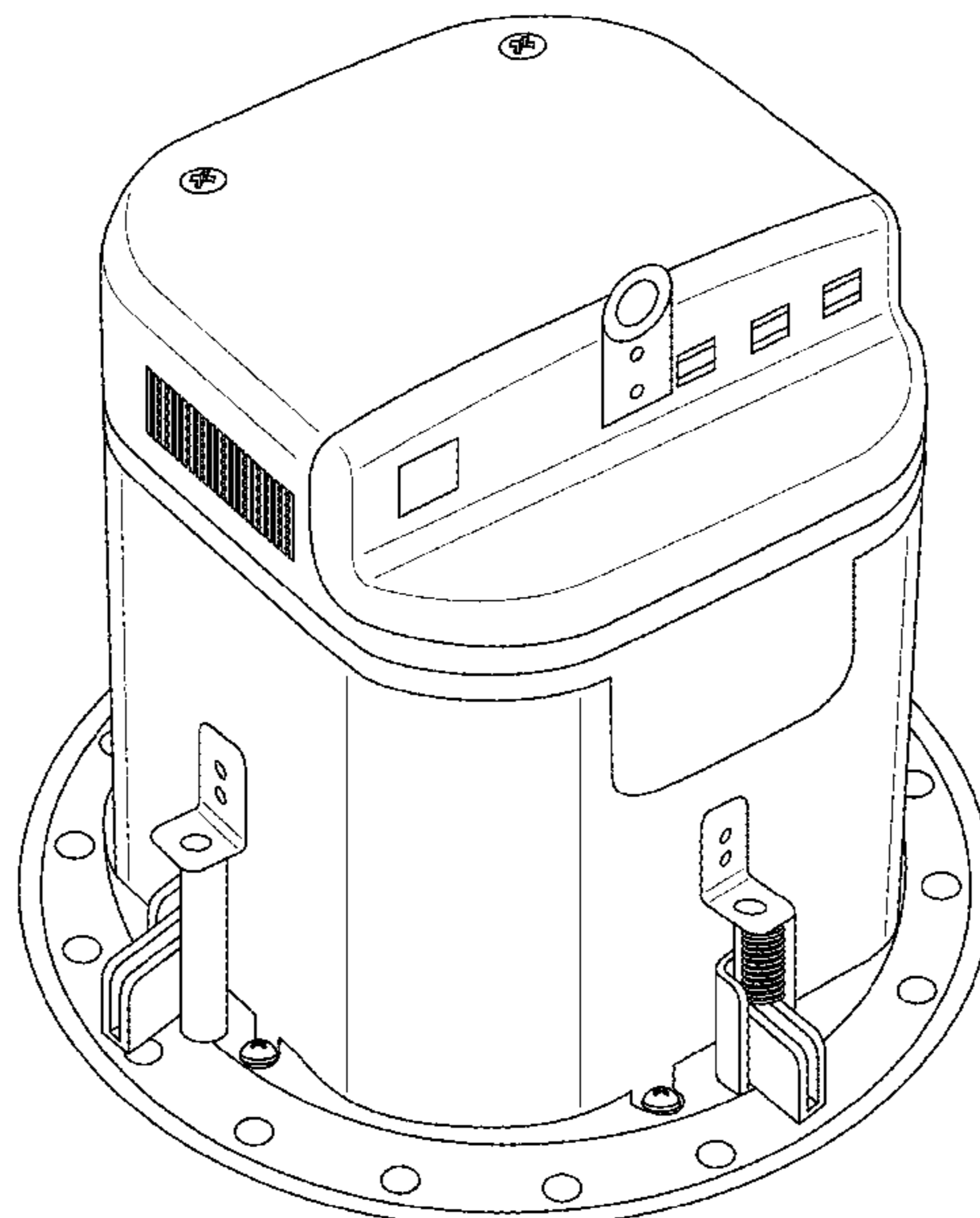
(57) **CLAIM**

The ornamental design for a speaker with amplifier, as shown and described.

**DESCRIPTION**

The sole FIGURE is a front perspective view of a speaker with amplifier showing our new design.

**1 Claim, 1 Drawing Sheet**



(56)

**References Cited**

U.S. PATENT DOCUMENTS

D691,983 S \* 10/2013 Vaughan ..... D14/172  
 D704,800 S 5/2014 Hahn et al.  
 D707,567 S 6/2014 Callaghan  
 D720,064 S 12/2014 Li  
 D725,632 S 3/2015 Zhao  
 D738,861 S 9/2015 Yang  
 D743,382 S 11/2015 Katori  
 D773,947 S 12/2016 Scarcella et al.  
 D781,268 S 3/2017 Magi  
 D781,818 S 3/2017 Pera et al.  
 D798,359 S 9/2017 Huang  
 D800,695 S \* 10/2017 Sugiura ..... D14/211  
 D801,303 S 10/2017 Holzer  
 D811,931 S 3/2018 Yu et al.  
 D819,596 S 6/2018 Sun  
 D840,013 S 2/2019 Zhang  
 D840,436 S 2/2019 Demin et al.  
 D843,419 S 3/2019 Vaclavik et al.  
 D853,835 S 7/2019 Ang et al.

D864,929 S 10/2019 Laurans et al.  
 D865,709 S 11/2019 Gentle et al.  
 D867,323 S 11/2019 Cho et al.  
 D868,738 S 12/2019 Chen  
 D870,700 S 12/2019 Lee et al.  
 D876,400 S 2/2020 Russo et al.  
 D883,329 S 5/2020 Shi et al.  
 2007/0204511 A1 9/2007 Lee et al.  
 2013/0028457 A1 1/2013 Yeh et al.  
 2018/0109541 A1 4/2018 Gleichauf

OTHER PUBLICATIONS

Biamp's New desono Entry-Level Pendant Speakers, (c) 2019 [online], [retrieved May 29, 2020], Retrieved from internet, URL: (Year: 2019).  
 Philips Connected, (c) 2019 [online], [retrieved May 29, 2020], Retrieved from internet, URL: (Year: 2019).  
 Speaker, 15 Watt (RMS), publication date not available, [retrieved May 29, 2020], Retrieved from internet, URL: (Year: 2020).

\* cited by examiner

