



US00D895565S

(12) **United States Design Patent**
Tang

(10) **Patent No.:** **US D895,565 S**

(45) **Date of Patent:** **** Sep. 8, 2020**

(54) **BABY MONITOR**

(71) Applicant: **Xiaoqiong Tang**, Beijing (CN)

(72) Inventor: **Xiaoqiong Tang**, Beijing (CN)

(**) Term: **15 Years**

(21) Appl. No.: **29/691,545**

(22) Filed: **May 16, 2019**

(51) **LOC (12) Cl.** **14-03**

(52) **U.S. Cl.**
USPC **D14/159**

(58) **Field of Classification Search**

USPC D14/167, 154, 168, 188, 496, 156, 160,
D14/161, 162, 163, 164, 165, 158, 253,
D14/192, 159, 155, 138 AB, 137, 104.1;
455/351, 350, 353; D10/104, 106, 65,
D10/78; 340/573.4, 573.1
CPC . G06F 3/16; G08B 3/00; H04M 11/00; H04N
7/14; H04N 7/26
See application file for complete search history.

(56) **References Cited**

U.S. PATENT DOCUMENTS

D727,867 S * 4/2015 Chao D14/130
D813,926 S * 3/2018 Shin D16/203

D819,106 S * 5/2018 Elmieh D16/202
D837,179 S * 1/2019 Gan D14/159
D849,094 S * 5/2019 Gan D16/203
D852,857 S * 7/2019 He D15/199
D864,147 S * 10/2019 Munger D14/159
D878,318 S * 3/2020 Sandberg D14/159
D878,319 S * 3/2020 Sandberg D14/159
D878,320 S * 3/2020 Sandberg D14/159
D878,321 S * 3/2020 Sandberg D14/159
D881,833 S * 4/2020 Liu D14/159

* cited by examiner

Primary Examiner — Austin Murphy

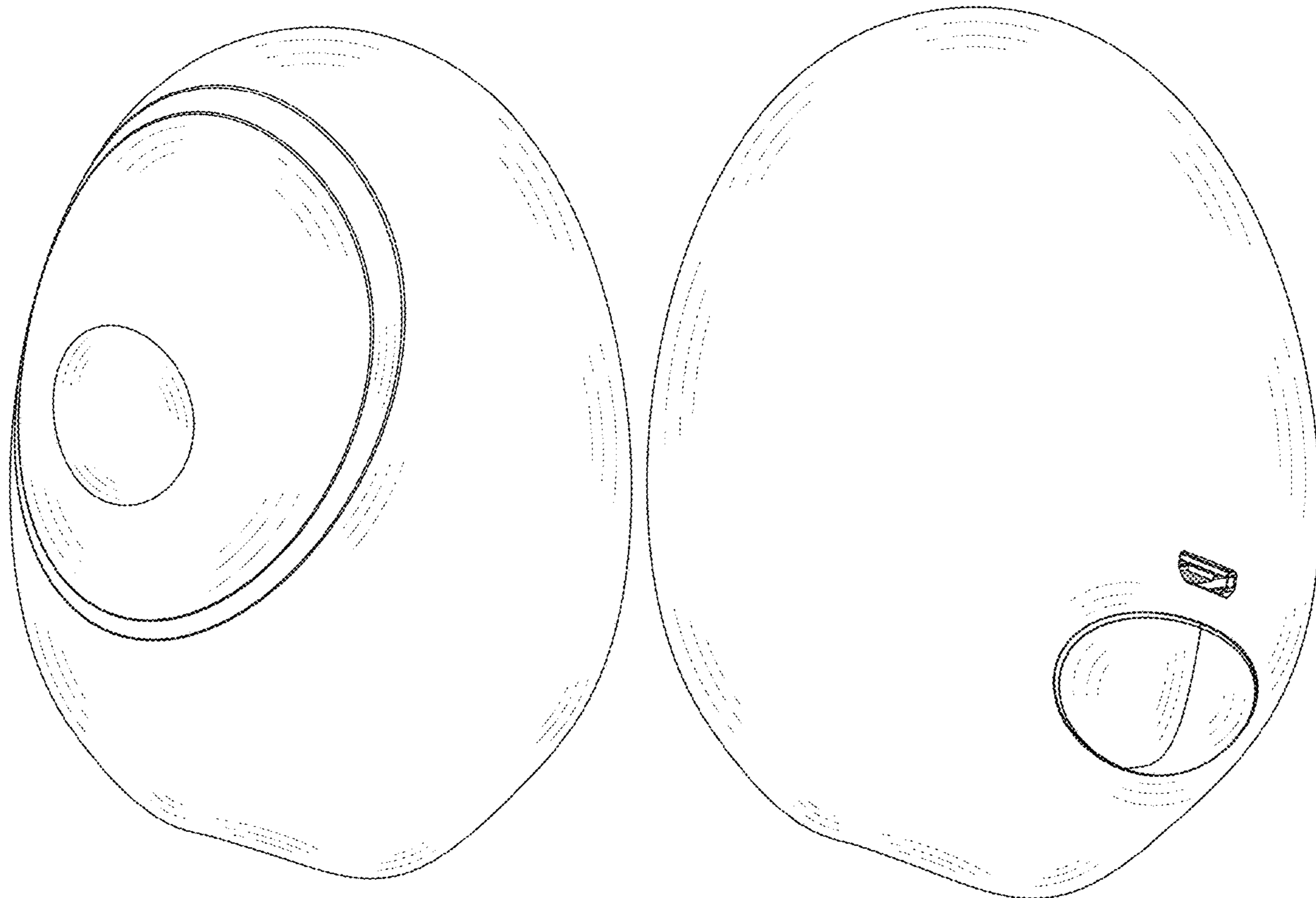
(57) **CLAIM**

The ornamental design for a baby monitor, as shown and described.

DESCRIPTION

FIG. 1 is a front perspective view of a baby monitor showing my new design;
FIG. 2 is a rear perspective view thereof;
FIG. 3 is a front elevation view thereof;
FIG. 4 is a rear elevation view thereof;
FIG. 5 is a left side elevation view thereof;
FIG. 6 is a right side elevation view thereof;
FIG. 7 is a top plan view thereof; and,
FIG. 8 is a bottom plan view thereof.

1 Claim, 8 Drawing Sheets



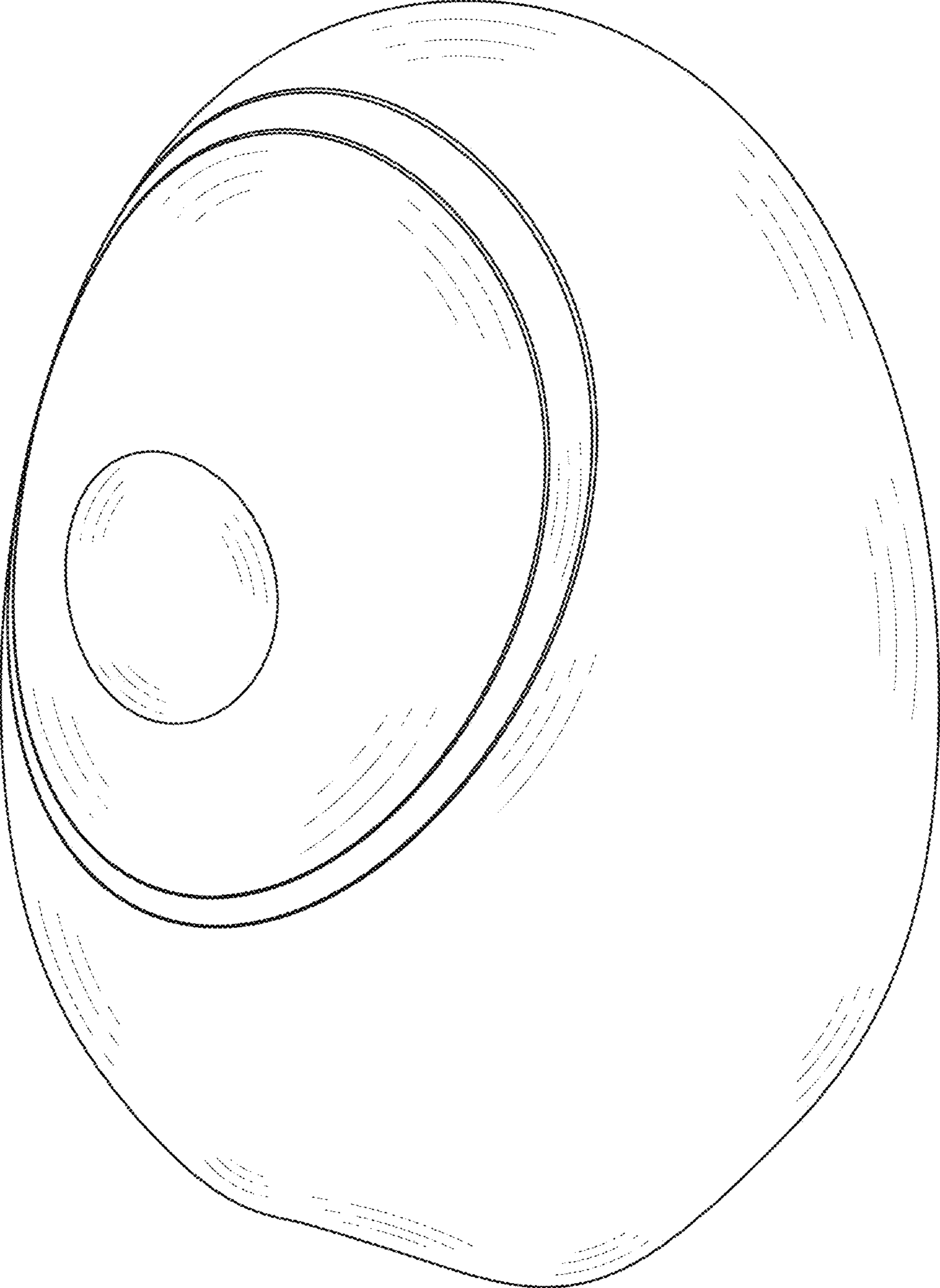


FIG.1

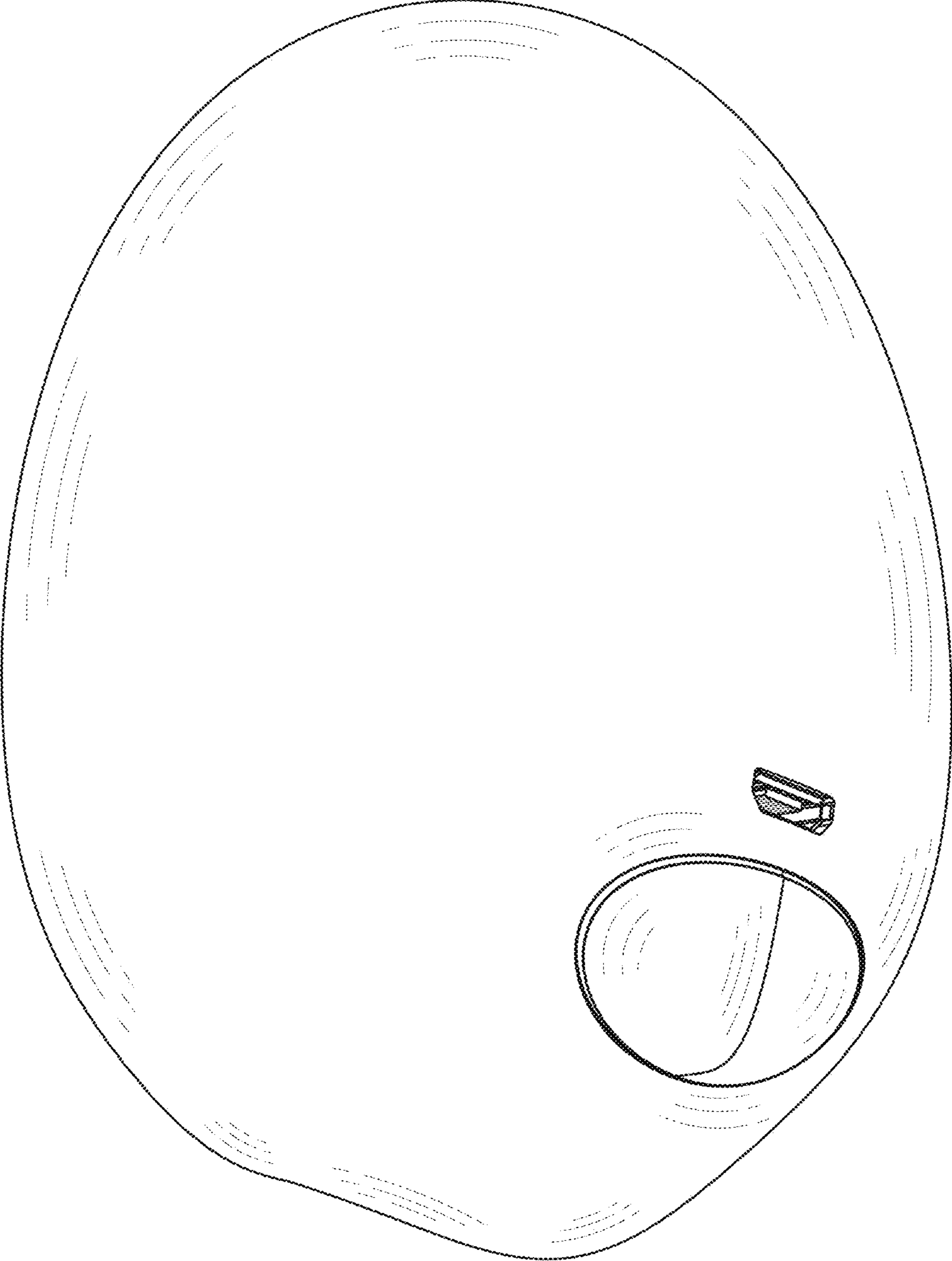


FIG.2

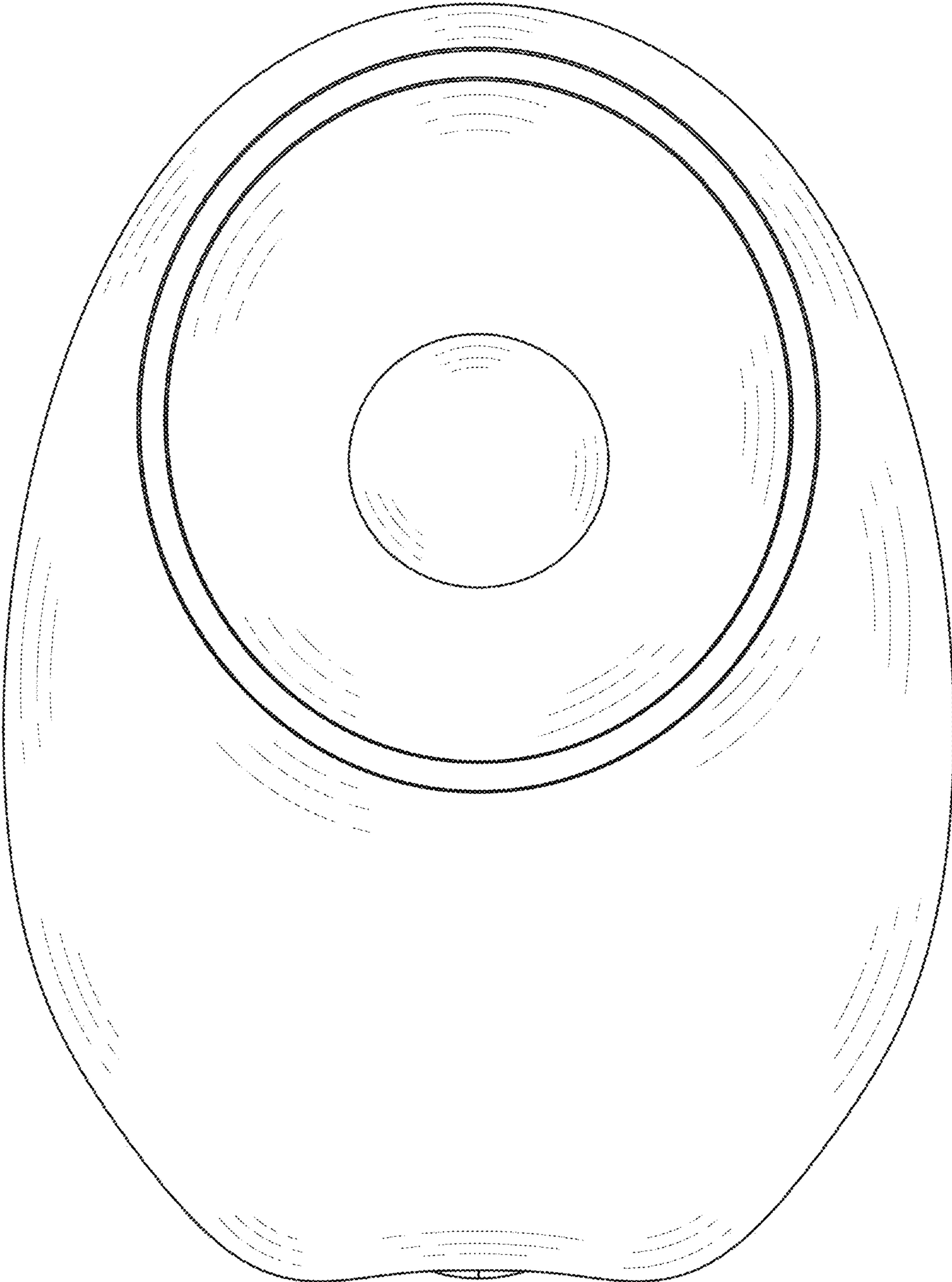


FIG.3

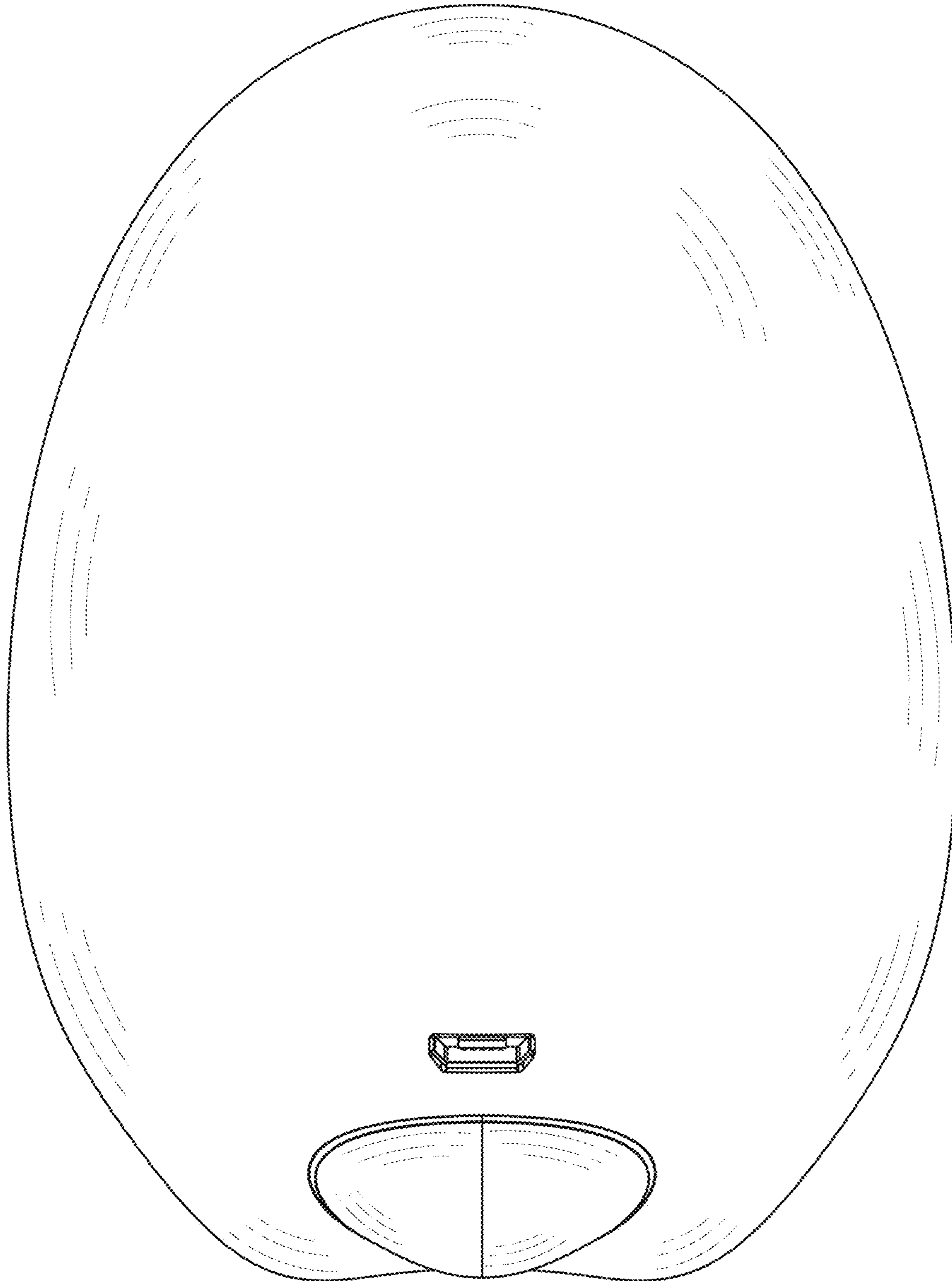


FIG.4

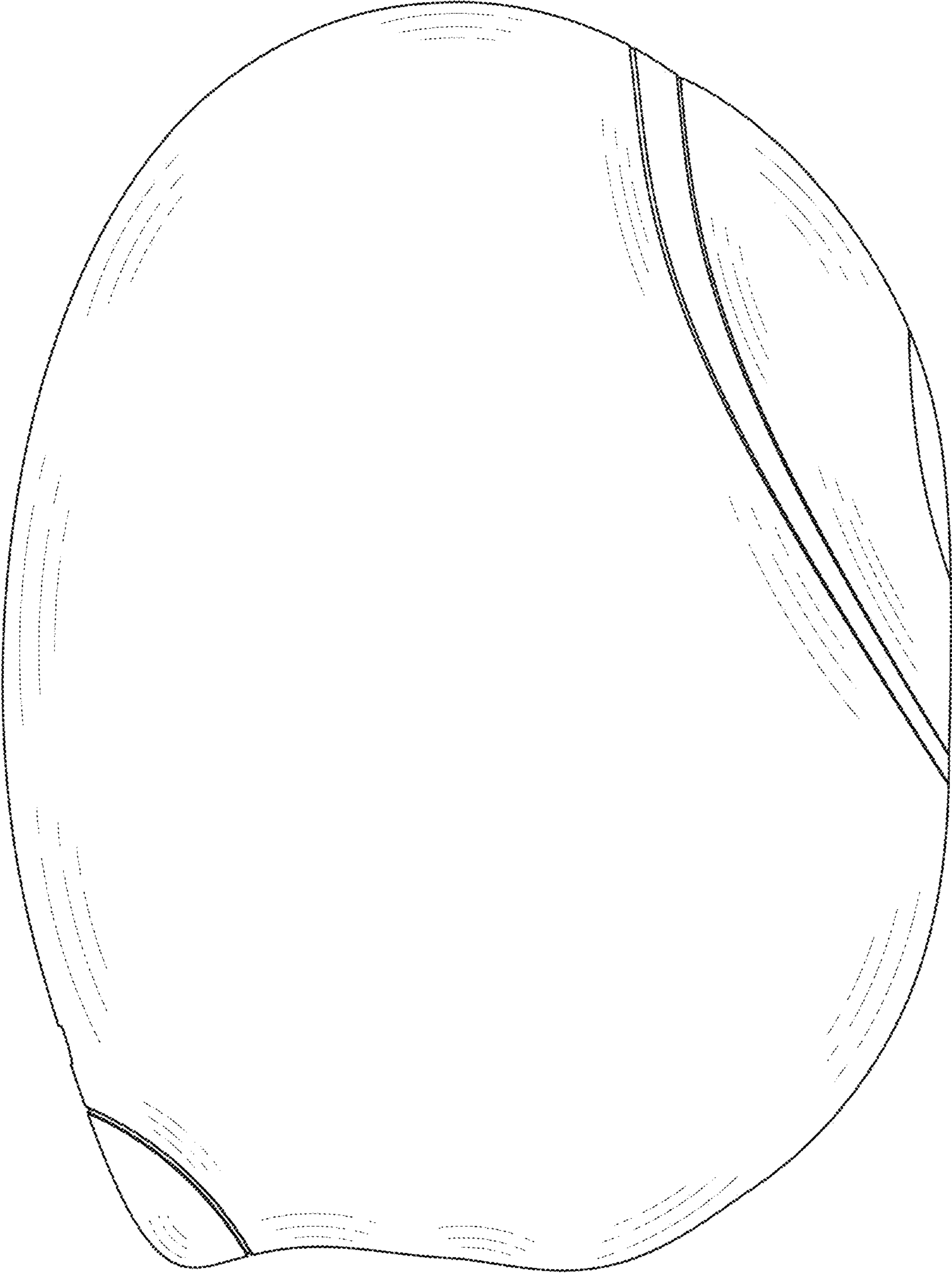


FIG.5

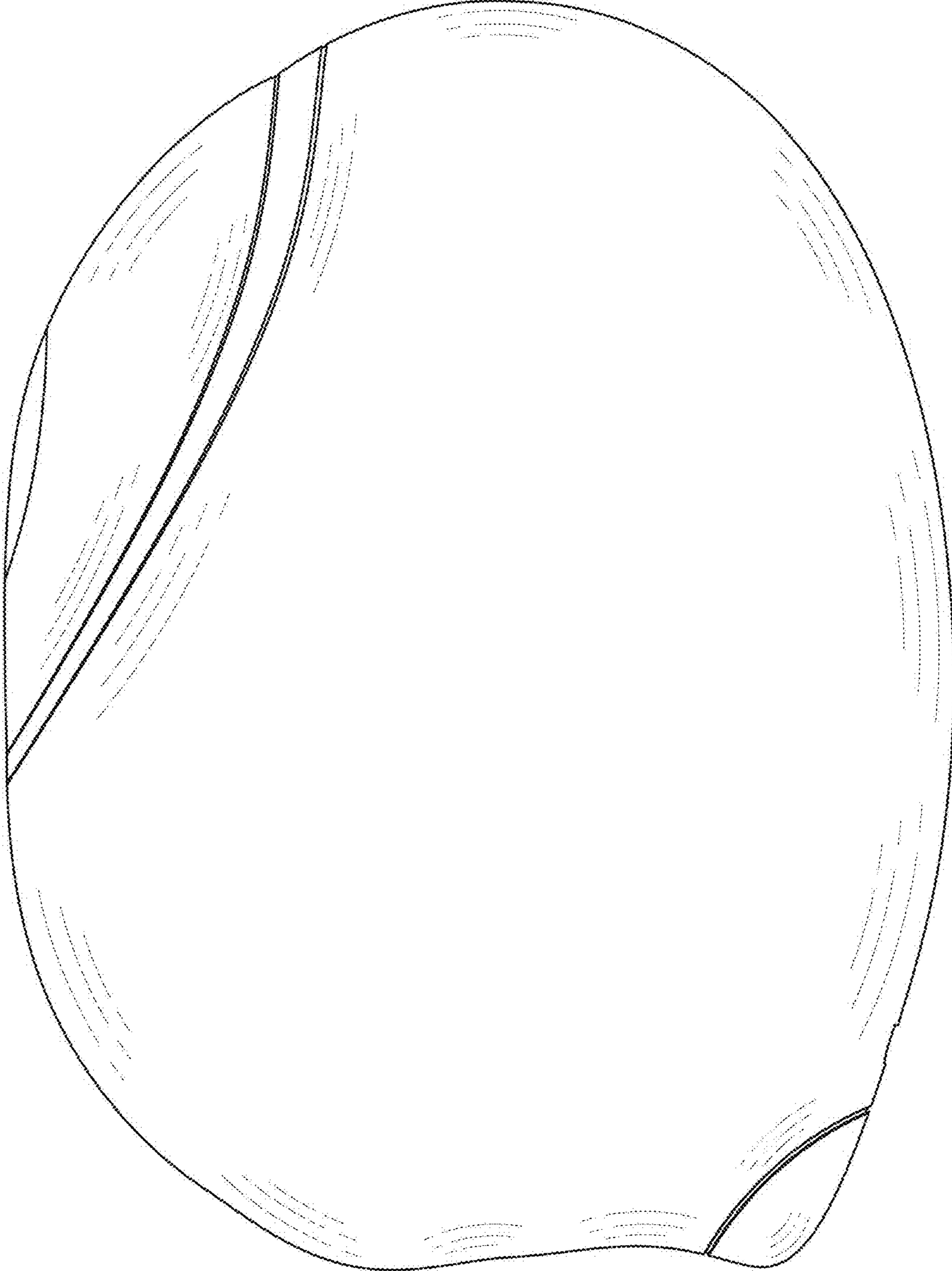


FIG. 6

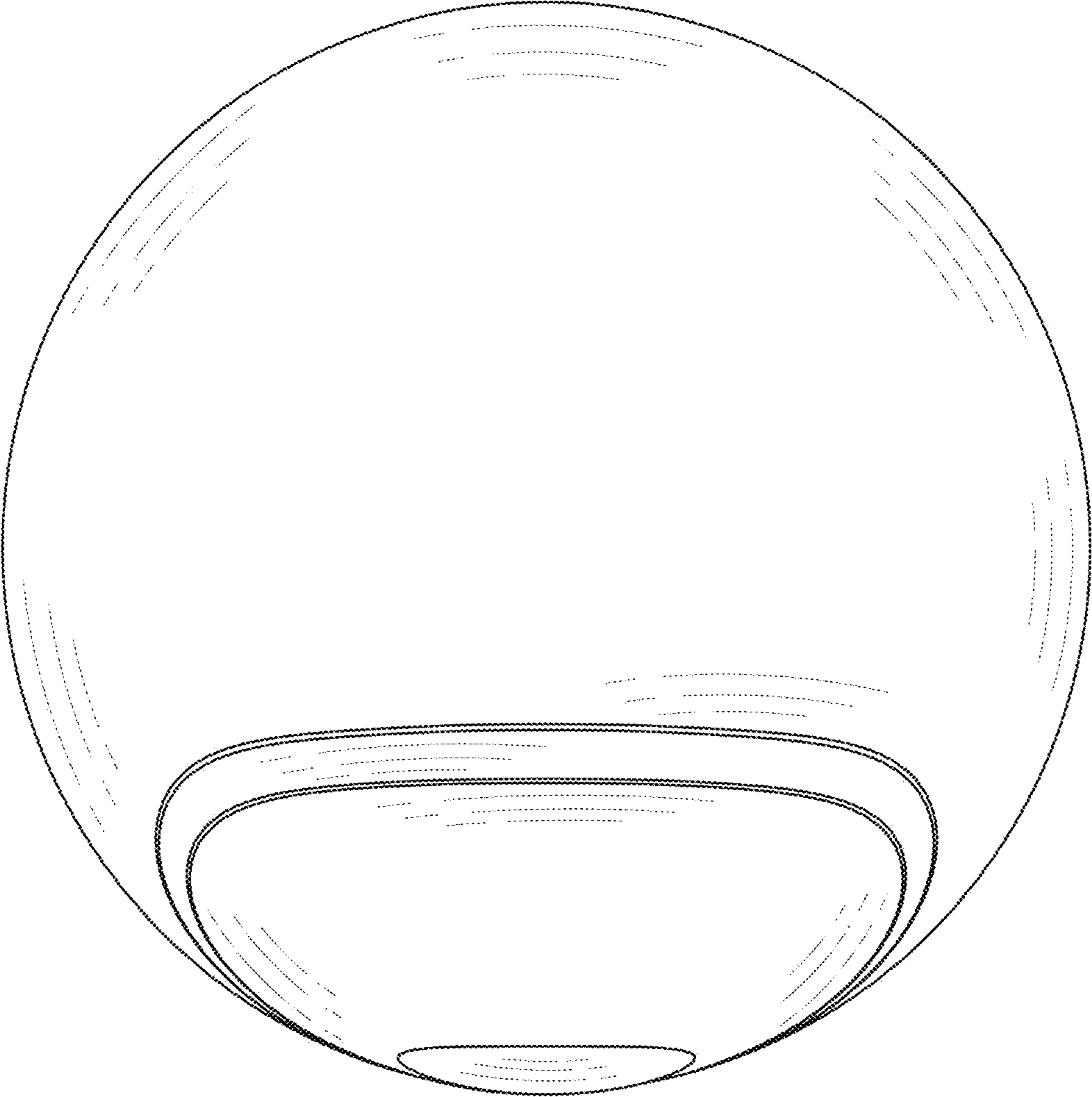


FIG. 7

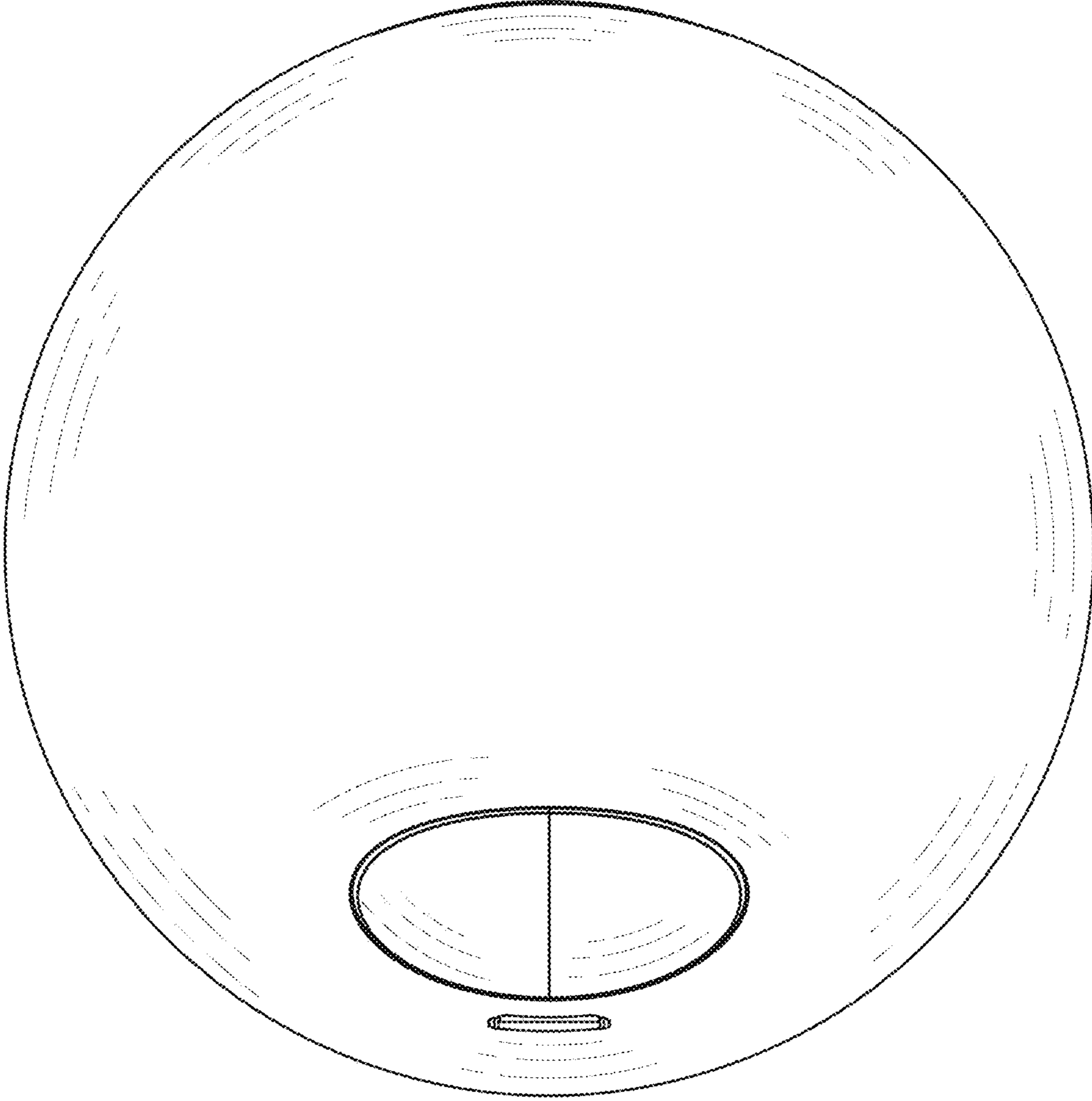


FIG. 8