



US00D895563S

(12) **United States Design Patent** (10) **Patent No.:** **US D895,563 S**
Cha et al. (45) **Date of Patent:** **** Sep. 8, 2020**

(54) **TELEVISION RECEIVER**

(71) Applicant: **LG ELECTRONICS INC.**, Seoul (KR)
(72) Inventors: **Hyunbyung Cha**, Seoul (KR); **Seonkyu Kim**, Seoul (KR); **Youngkyoung Kim**, Seoul (KR); **Yunjoo Kim**, Seoul (KR); **Cheolwoong Shin**, Seoul (KR); **Minjae Lee**, Seoul (KR)
(73) Assignee: **LG Electronics Inc.**, Seoul (KR)
(**) Term: **15 Years**
(21) Appl. No.: **35/506,649**
(22) Filed: **Oct. 16, 2018**
(80) **Hague Agreement Data**
Int. Filing Date: **Oct. 16, 2018**
Int. Reg. No.: **DM/103578**
Int. Reg. Date: **Oct. 16, 2018**
Int. Reg. Pub. Date: **Apr. 19, 2019**

(30) **Foreign Application Priority Data**

Apr. 16, 2018 (KR) 30-2018-0017606
(51) **LOC (12) Cl.** **14-03**
(52) **U.S. Cl.**
USPC **D14/126**
(58) **Field of Classification Search**
USPC D14/125, 126, 128, 133, 239, 336, 371, D14/374-377, 448, 450, 168, 172, 204, D14/210, 214; D20/10, 19, 39; D21/329, 515; D16/241
CPC G06F 1/1601; G06F 1/1643; H04N 5/64; H04N 5/66; H04N 5/655; H04N 7/00; H04N 9/3141; H04N 13/0459; H04N 17/04; H04N 17/004; H04N 21/43637; G02B 6/0068; H05K 5/02; H05K 5/0004; H05K 5/0017; H05K 5/0217
See application file for complete search history.

(56) **References Cited**

U.S. PATENT DOCUMENTS

D773,417 S * 12/2016 Kim D14/126
D776,072 S * 1/2017 Kim D14/126
D802,549 S * 11/2017 Kim D14/126
D807,844 S * 1/2018 Kim D14/126
D812,028 S * 3/2018 Kim D14/126

(Continued)

Primary Examiner — Keli L Hill

(74) *Attorney, Agent, or Firm* — Birch, Stewart, Kolasch & Birch, LLP

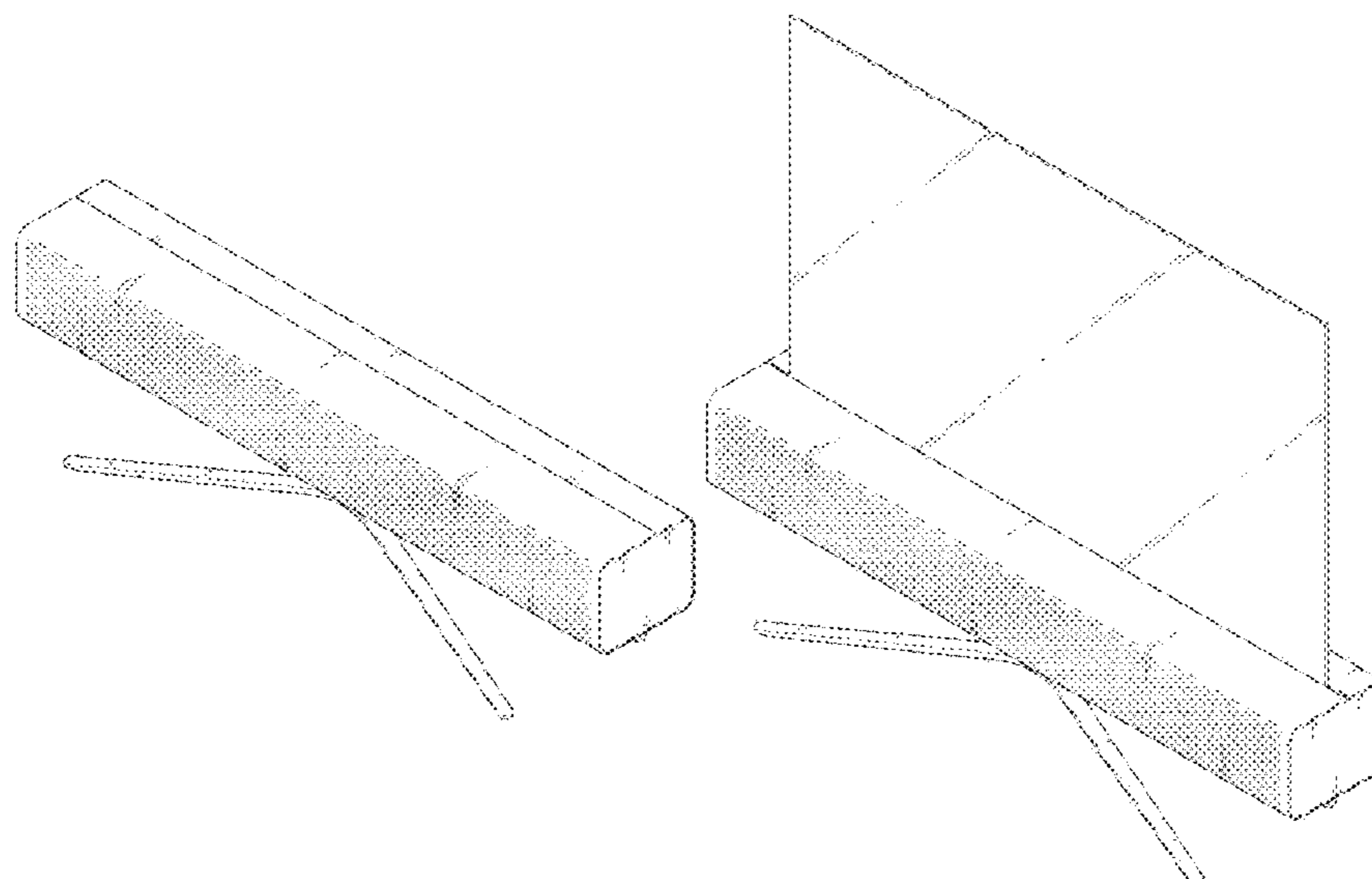
(57) **CLAIM**

The ornamental design for a television receiver, as shown and described.

DESCRIPTION

1. Television receiver
1.1 is a front perspective view shown with display in fully retracted position.
1.2 is a front elevation view.
1.3 is a rear elevation view.
1.4 is a left side elevation view, the right side being a mirror image thereto.
1.5 is a top plan view.
1.6 is a bottom plan view.
1.7 is an alternate front perspective view shown with display in partially extended position.
1.8 is a front perspective view shown with display in fully extended position.
1.9 is a front elevation view.
1.10 is a rear elevation view.
1.11 is a left side elevation view, the right side being a mirror image thereto.
1.12 is a top plan view.
1.13 is a bottom plan view.
The broken lines depict portions of the television receiver that form no part of the claimed design.

1 Claim, 13 Drawing Sheets



(56)

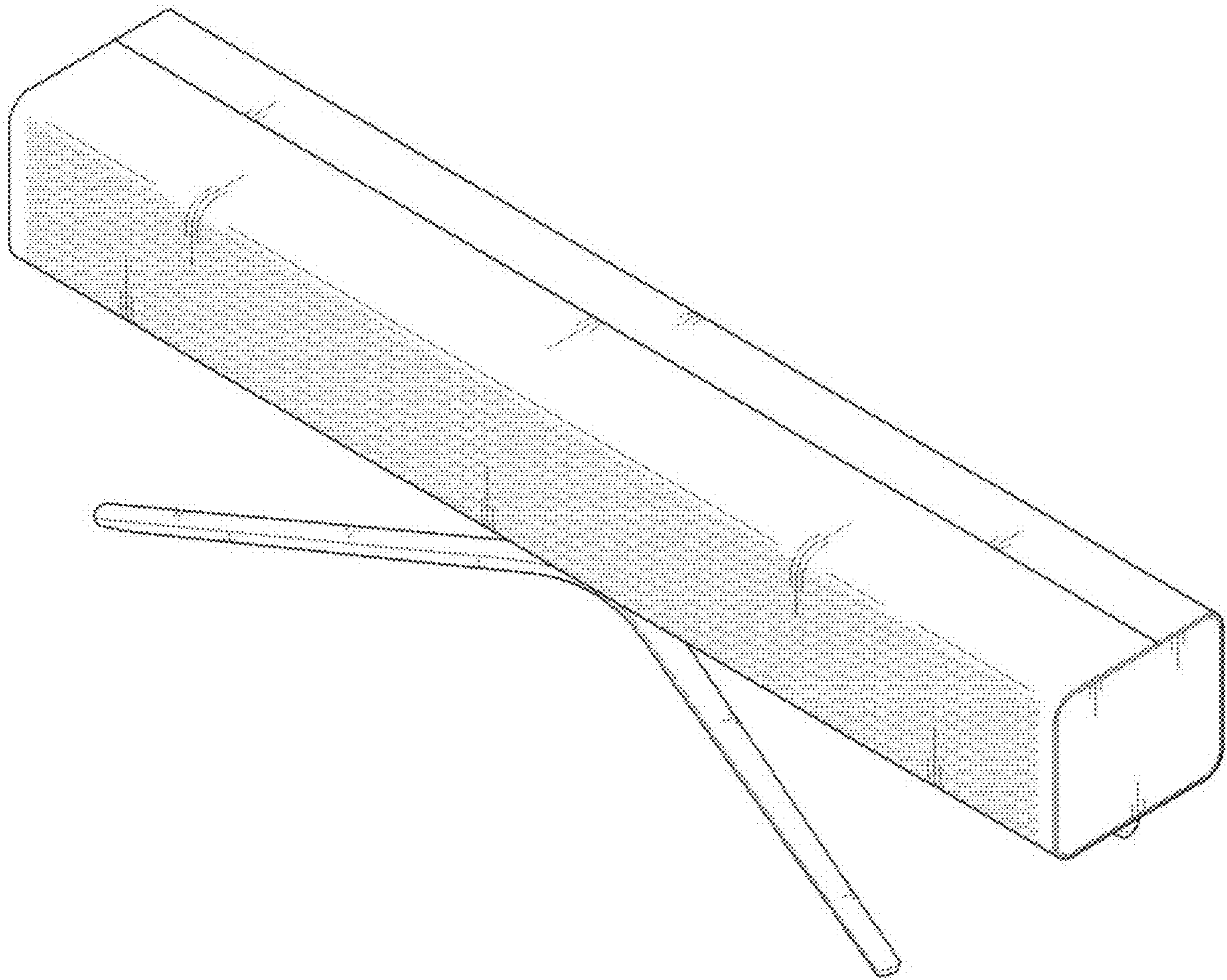
References Cited

U.S. PATENT DOCUMENTS

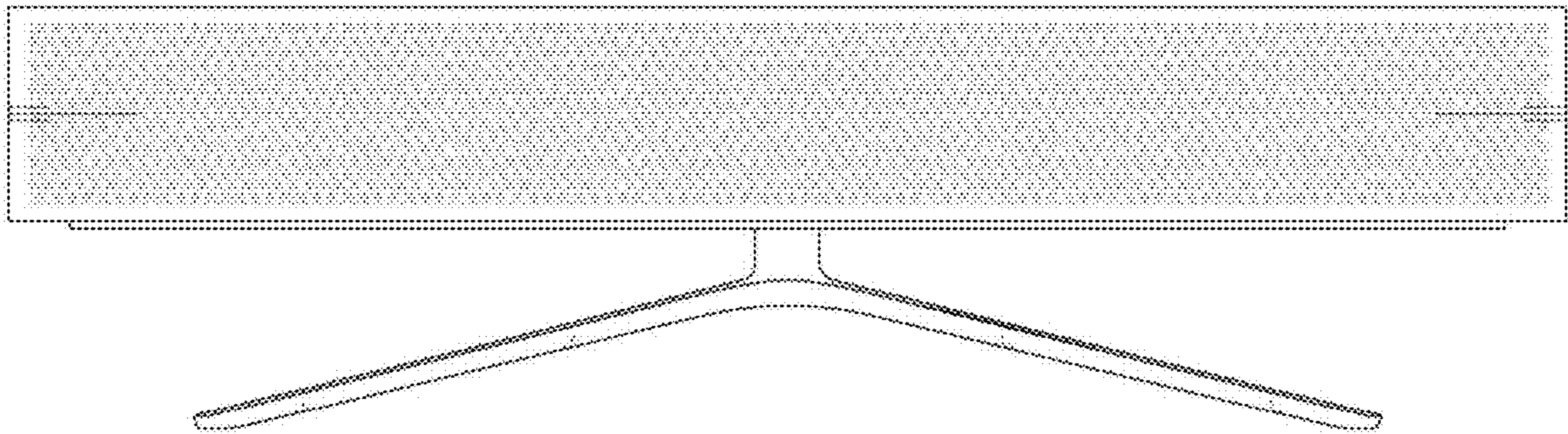
D813,832 S * 3/2018 Kim D14/126
D825,514 S * 8/2018 Shin D14/138 R
D833,433 S * 11/2018 Catania D14/374
D834,549 S * 11/2018 Cho D14/138 AD
D852,155 S * 6/2019 Won D14/126
D870,713 S * 12/2019 Lee D14/239
10,534,402 B1 * 1/2020 Kim G09F 11/02
D875,698 S * 2/2020 Kang D14/126
D883,243 S * 5/2020 Kim D14/126
D883,244 S * 5/2020 Kim D14/129
2016/0029474 A1 * 1/2016 Cho H05K 1/028
361/749
2017/0027067 A1 * 1/2017 Choi G06F 1/1652
2017/0079149 A1 * 3/2017 Lee H01L 51/524
2017/0103735 A1 * 4/2017 Oh G09G 5/391
2017/0196102 A1 * 7/2017 Shin G09F 9/301

* cited by examiner

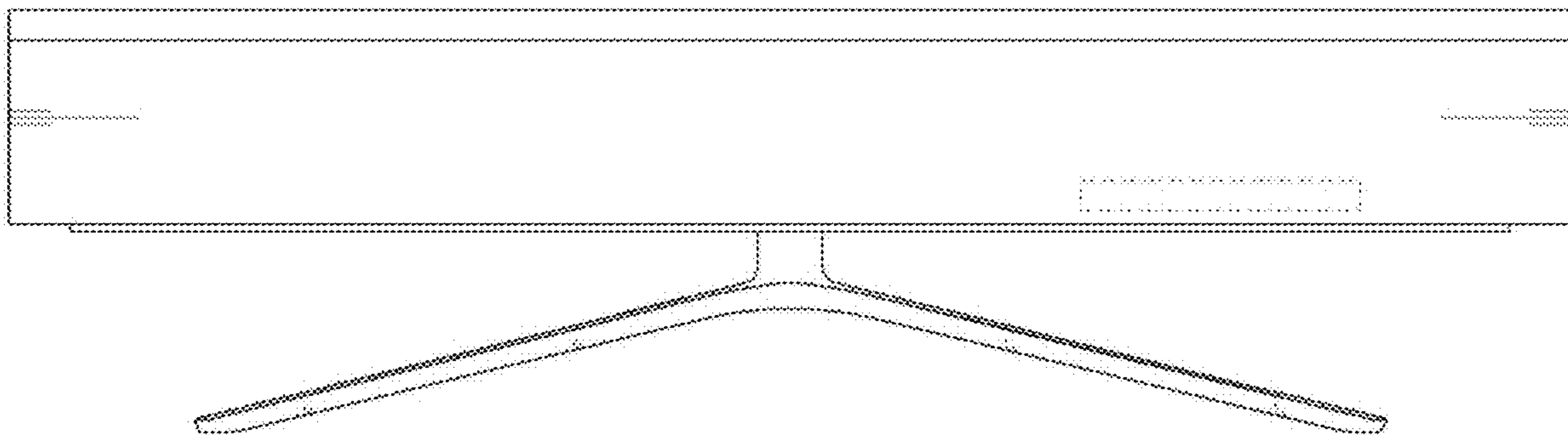
1.1



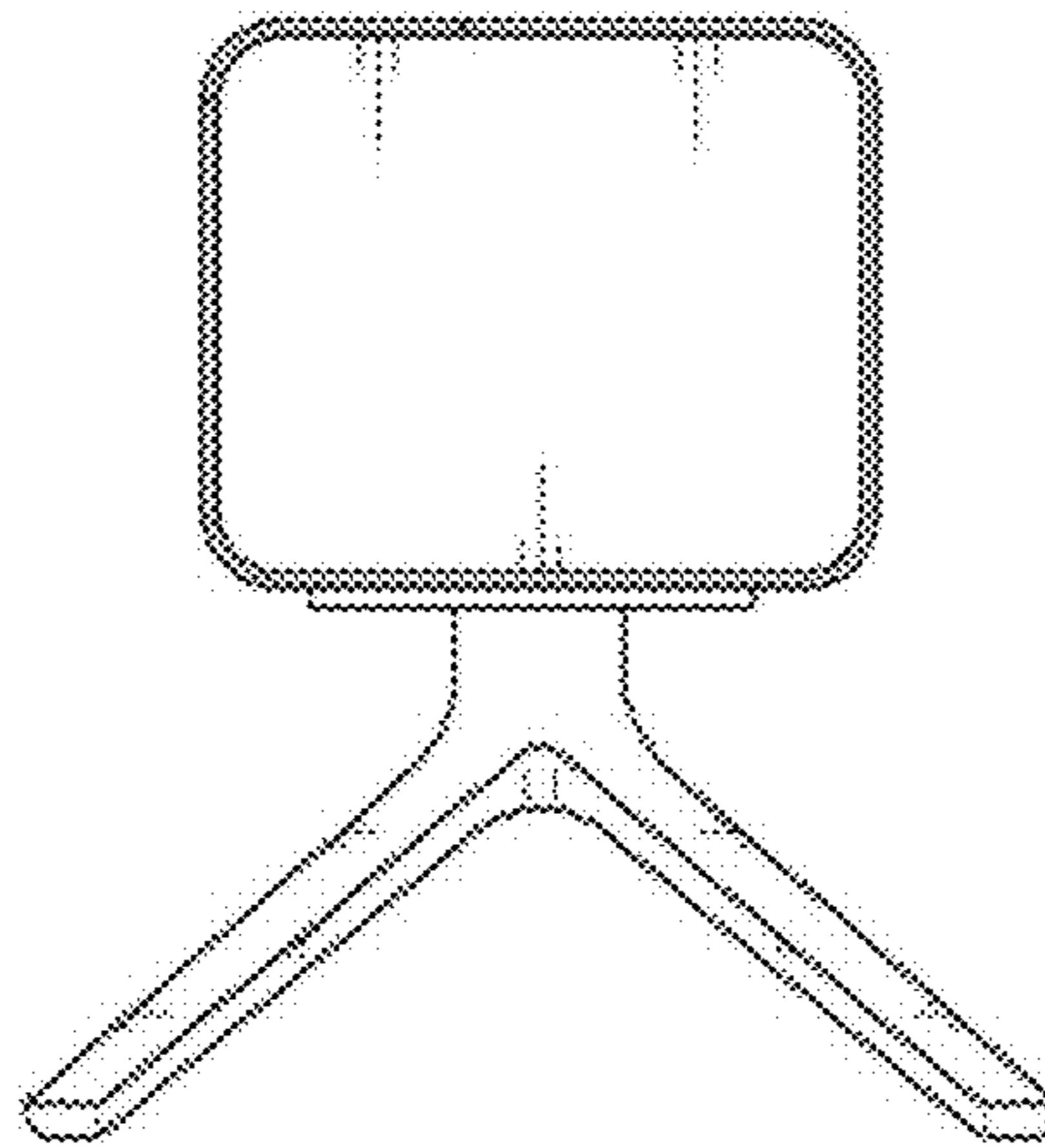
1.2



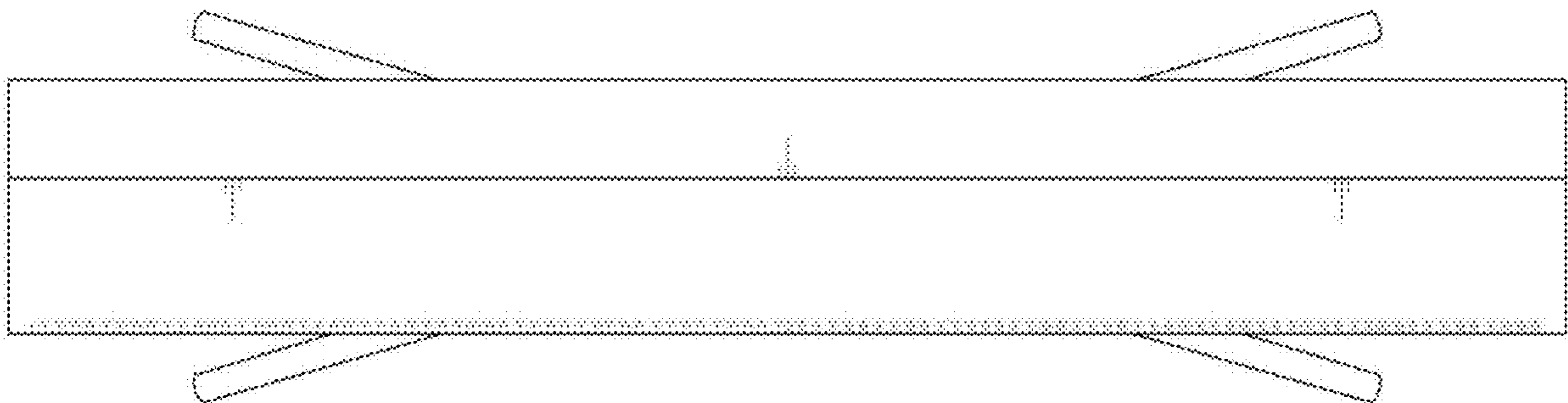
1.3



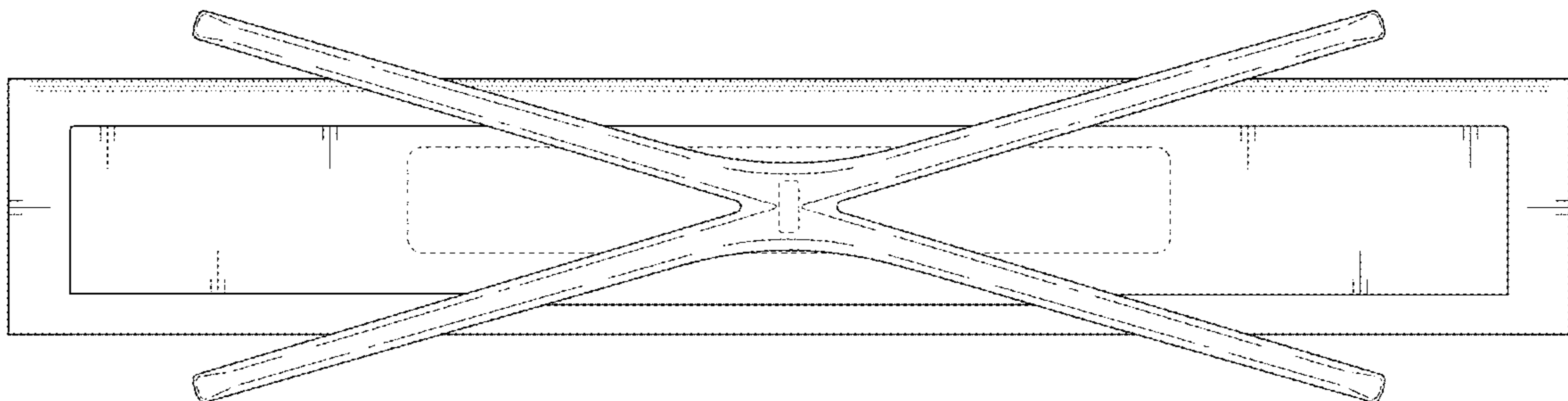
1.4



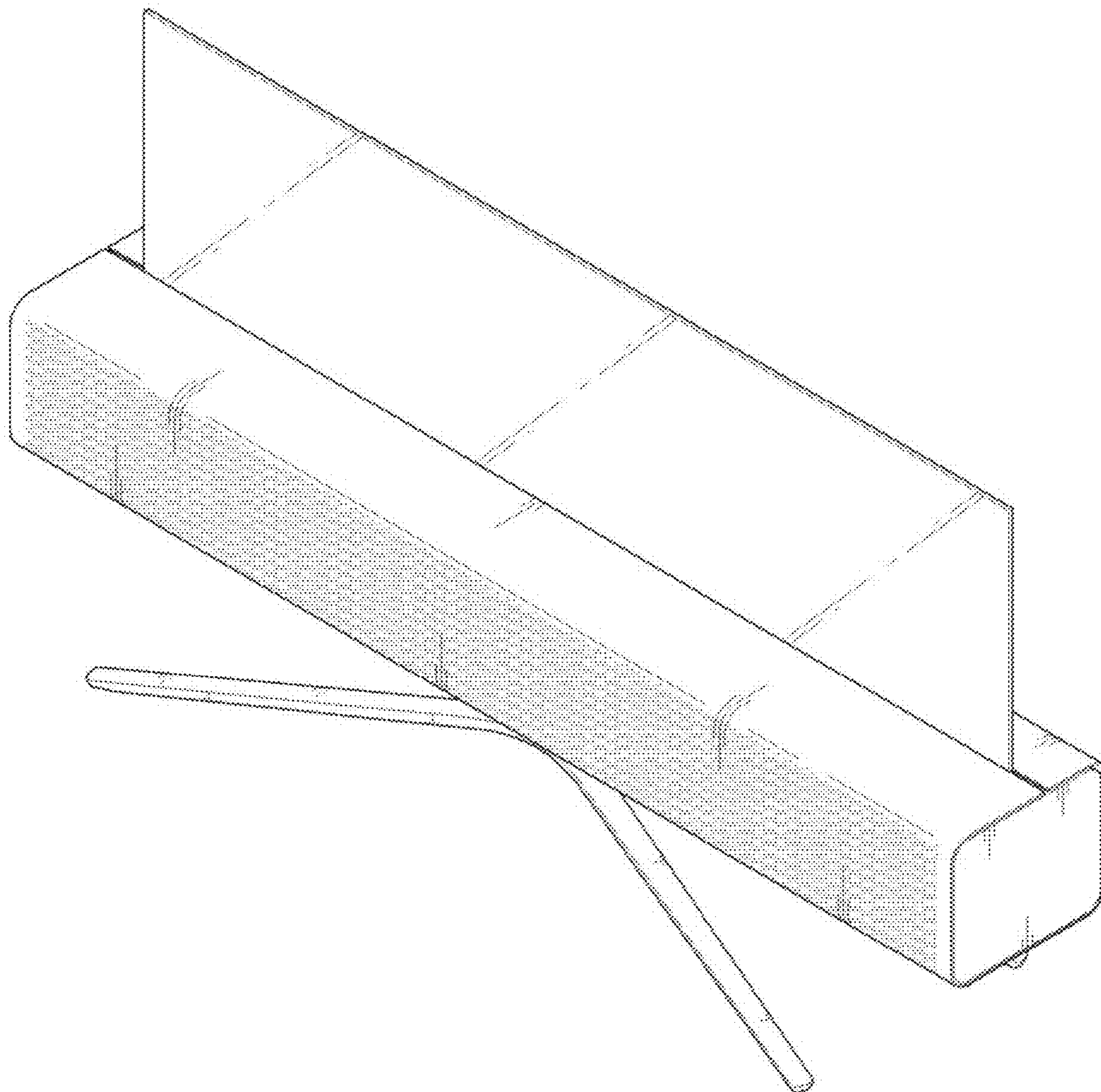
1.5



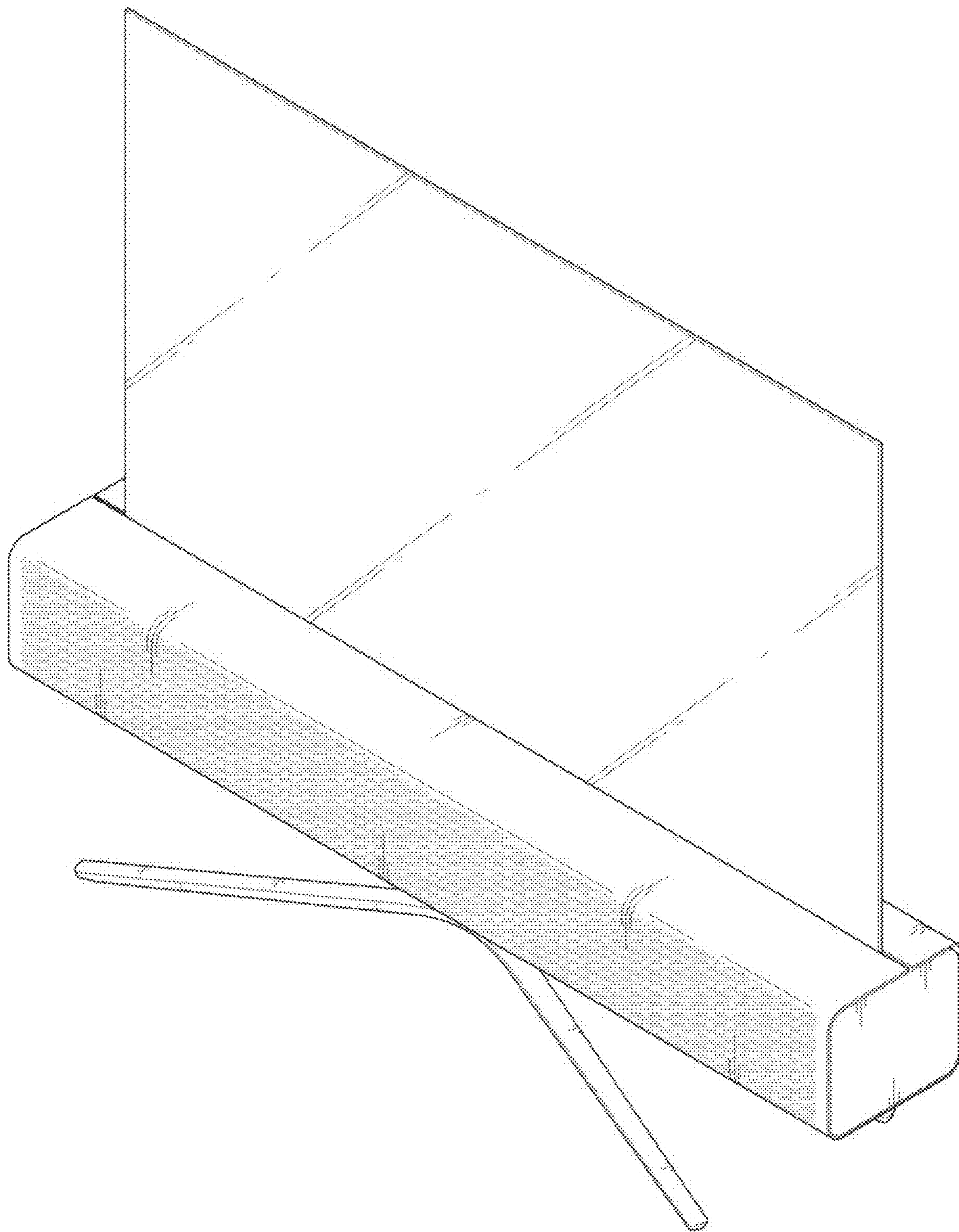
1. 6



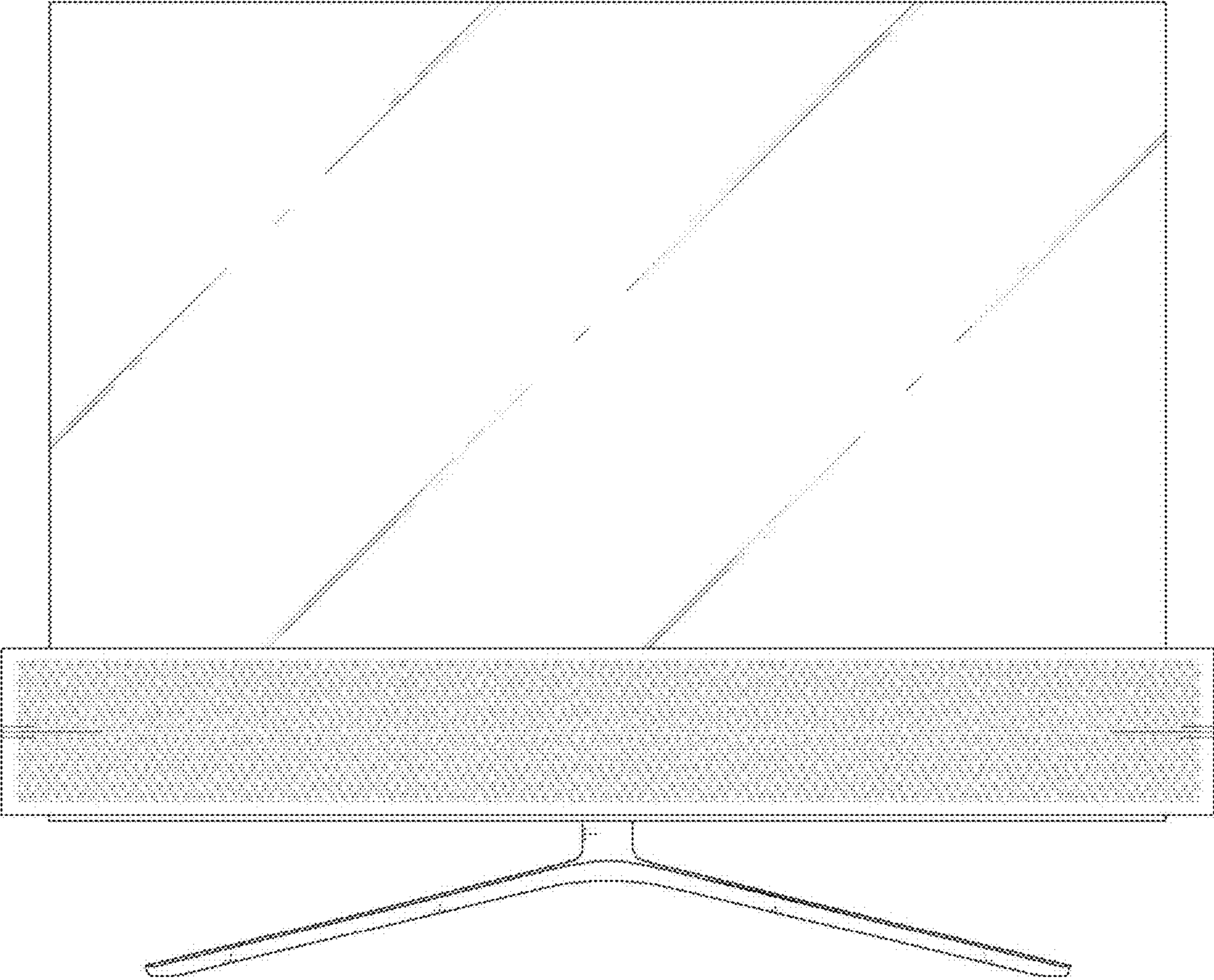
1.7



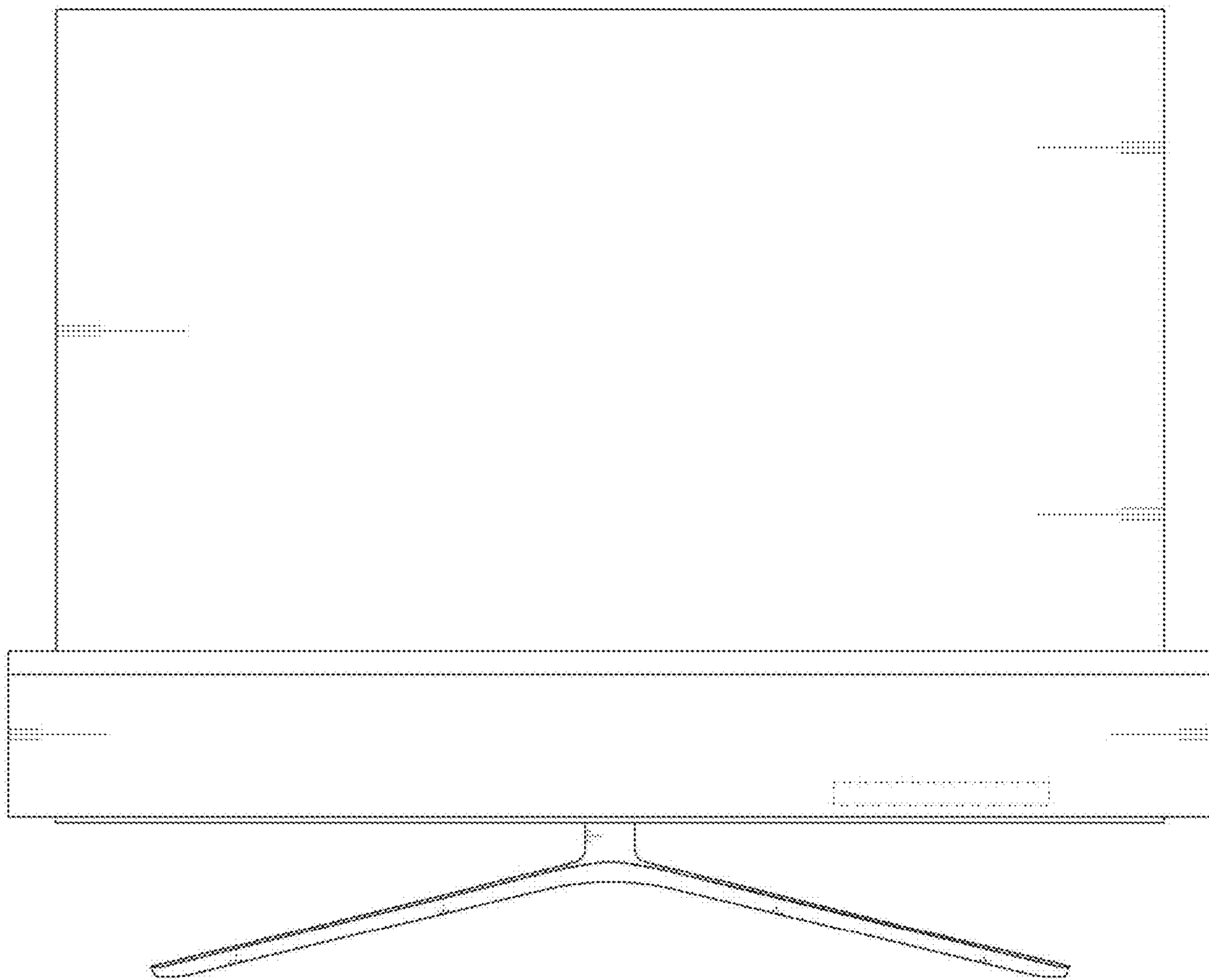
1.8



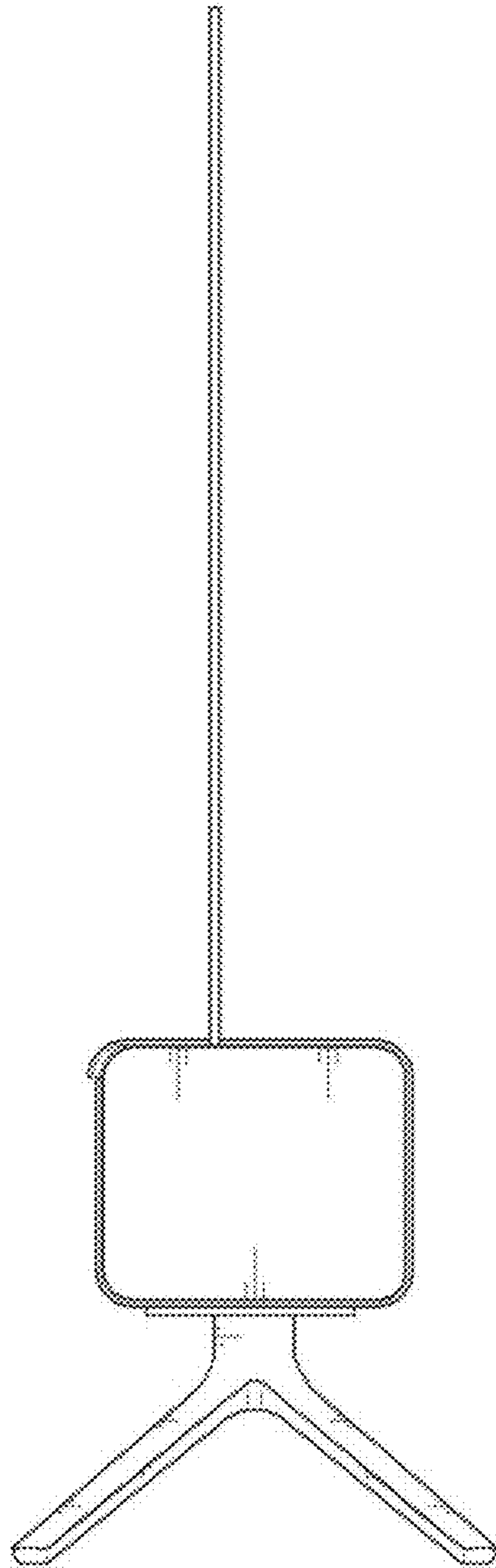
1.9



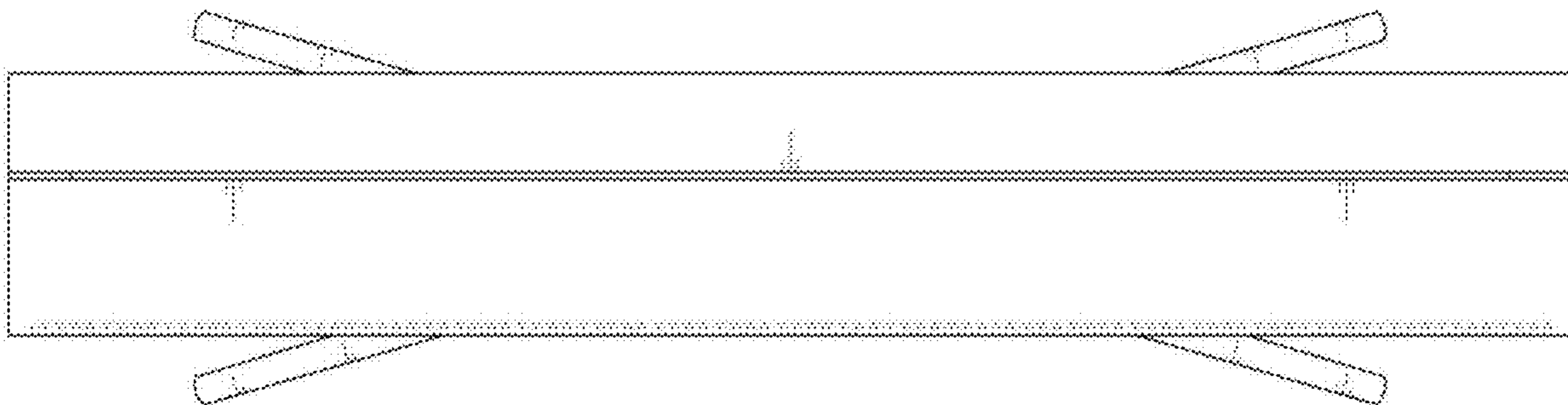
1.10



1.11



1.12



1. 13

