



US00D895562S

(12) **United States Design Patent** (10) **Patent No.:** **US D895,562 S**
Choubey et al. (45) **Date of Patent:** **** Sep. 8, 2020**

(54) **ELECTRICAL HOUSING**

(56) **References Cited**

(71) Applicant: **Facebook, Inc.**, Menlo Park, CA (US)

U.S. PATENT DOCUMENTS

(72) Inventors: **Neeraj Choubey**, Belmont, CA (US);
Eric P. Aldenbrook, Cupertino, CA (US); **Mark Duncan Brinkerhoff**,
Campbell, CA (US); **Gary Robert Schultheis**, Scotts Valley, CA (US);
Ronald Scott Boeder, Livermore, CA (US); **Victor Carrasco**, San Jose, CA (US)

D312,244 S * 11/1990 Collins D13/152
D360,620 S * 7/1995 Gehrs D13/152
D367,646 S * 3/1996 Schneider D13/152
5,497,416 A * 3/1996 Butler, III H04Q 1/028
379/397
D655,280 S * 3/2012 MacManus D14/140.1
D721,349 S * 1/2015 Sugai D14/159
D742,864 S * 11/2015 Kurosawa D14/240
D783,579 S * 4/2017 MacManus D14/240
D783,580 S * 4/2017 MacManus D14/240
D784,969 S * 4/2017 MacManus D14/240
D784,970 S * 4/2017 MacManus D14/240
D789,361 S * 6/2017 Ali D14/358

(73) Assignee: **Facebook, Inc.**, Menlo Park, CA (US)

(Continued)

(**) Term: **15 Years**

Primary Examiner — Keli L Hill

Assistant Examiner — Harold E Blackwell, II

(21) Appl. No.: **29/728,613**

(74) *Attorney, Agent, or Firm* — Baker Botts L.L.P.

(22) Filed: **Mar. 19, 2020**

(57) **CLAIM**

The ornamental design for an electrical housing, as shown and described.

Related U.S. Application Data

DESCRIPTION

(62) Division of application No. 29/592,848, filed on Feb. 2, 2017, now Pat. No. Des. 882,539.

(51) **LOC (12) Cl.** **13-03**

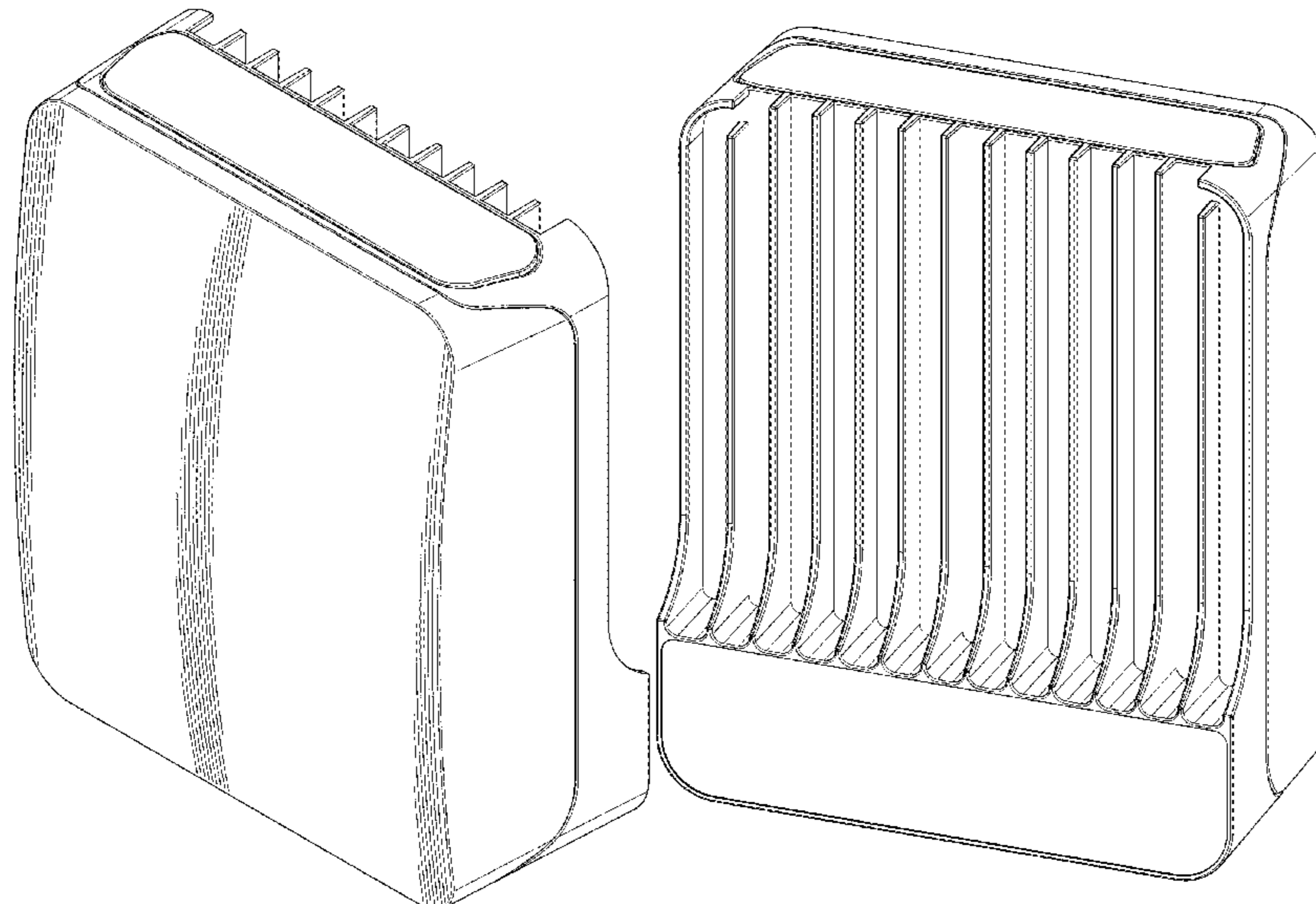
(52) **U.S. Cl.**
USPC **D13/184; D14/358**

(58) **Field of Classification Search**
USPC ... D13/184, 158, 159, 162, 123, 152, 139.3,
D13/179, 133; D14/238, 240
CPC ... H04W 88/08; H04W 88/085; H04W 88/00;
H04W 88/005; H04W 88/02; H04W
88/12; H04W 88/14; H04W 88/16; H04W
88/18; H04W 4/00; H04W 16/26; H01Q
1/02; H01Q 1/2291; H01Q 1/246; H01Q
1/42; H04B 1/38

FIG. 1 is a view of an electrical housing showing the design.
FIG. 2 is another view thereof.
FIG. 3 is another view thereof.
FIG. 4 is another view thereof.
FIG. 5 is another view thereof.
FIG. 6 is another view thereof.
FIG. 7 is another view thereof.
FIG. 8 is another view thereof.
FIG. 9 is another view thereof.
FIG. 10 is another view thereof.
FIG. 11 is another view thereof.
FIG. 12 is another view thereof.
FIG. 13 is another view thereof; and,
FIG. 14 is another view thereof.
The shaded lines in the figures show contour and not surface ornamentation.

See application file for complete search history.

1 Claim, 11 Drawing Sheets



(56)

References Cited

U.S. PATENT DOCUMENTS

D791,767 S *	7/2017	Ali	D14/358
D798,296 S *	9/2017	Ali	D14/358
D825,557 S *	8/2018	Matsumiya	D14/358
10,044,098 B2 *	8/2018	Ali	H01Q 1/44
D837,208 S *	1/2019	Ali	D14/358
D837,209 S *	1/2019	Ali	D14/358
D837,210 S *	1/2019	Ali	D14/358
D837,784 S *	1/2019	Ali	D14/358
D856,291 S *	8/2019	Sun	D14/125
D882,539 S *	4/2020	Choubey	D13/184

* cited by examiner

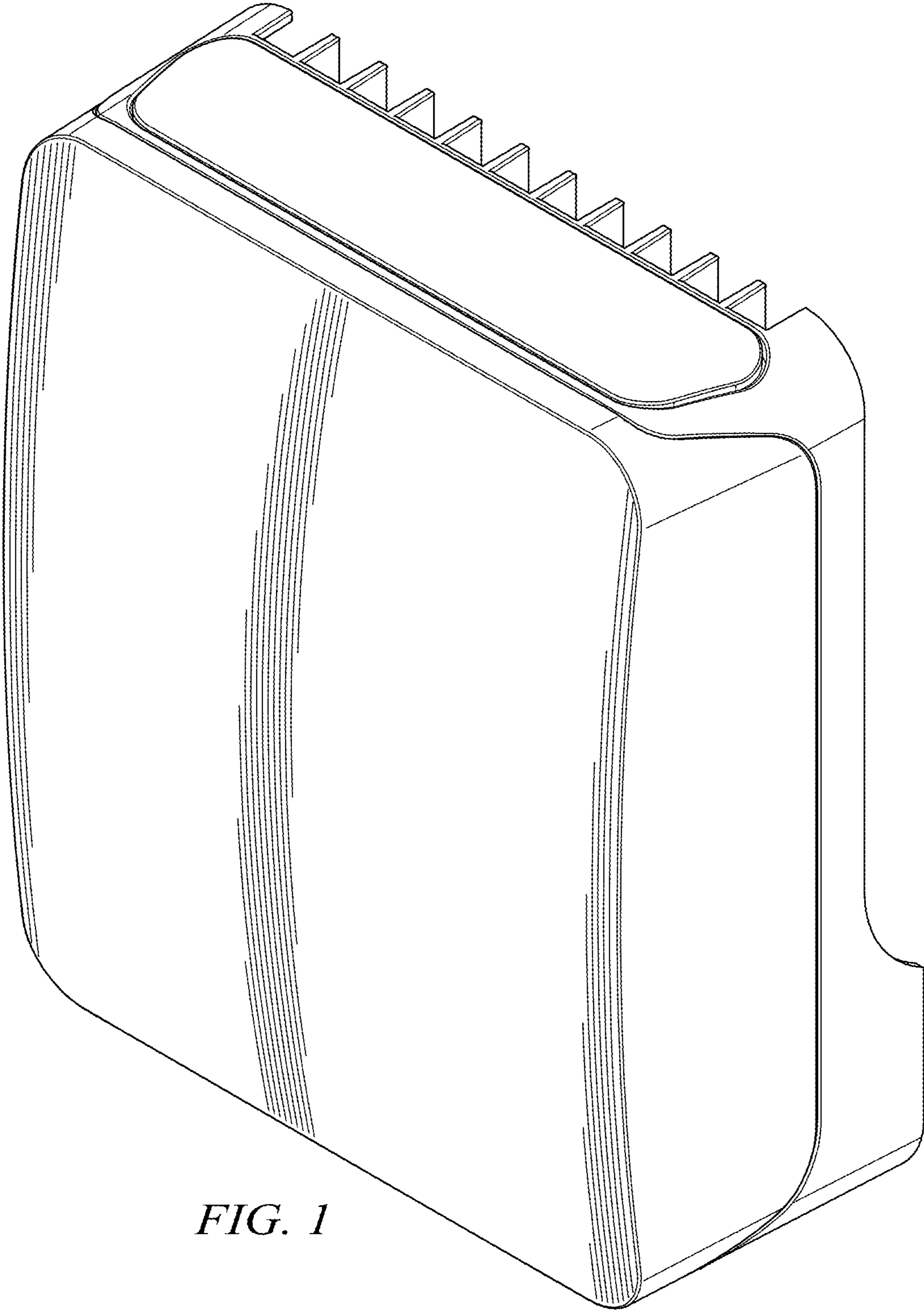


FIG. 1

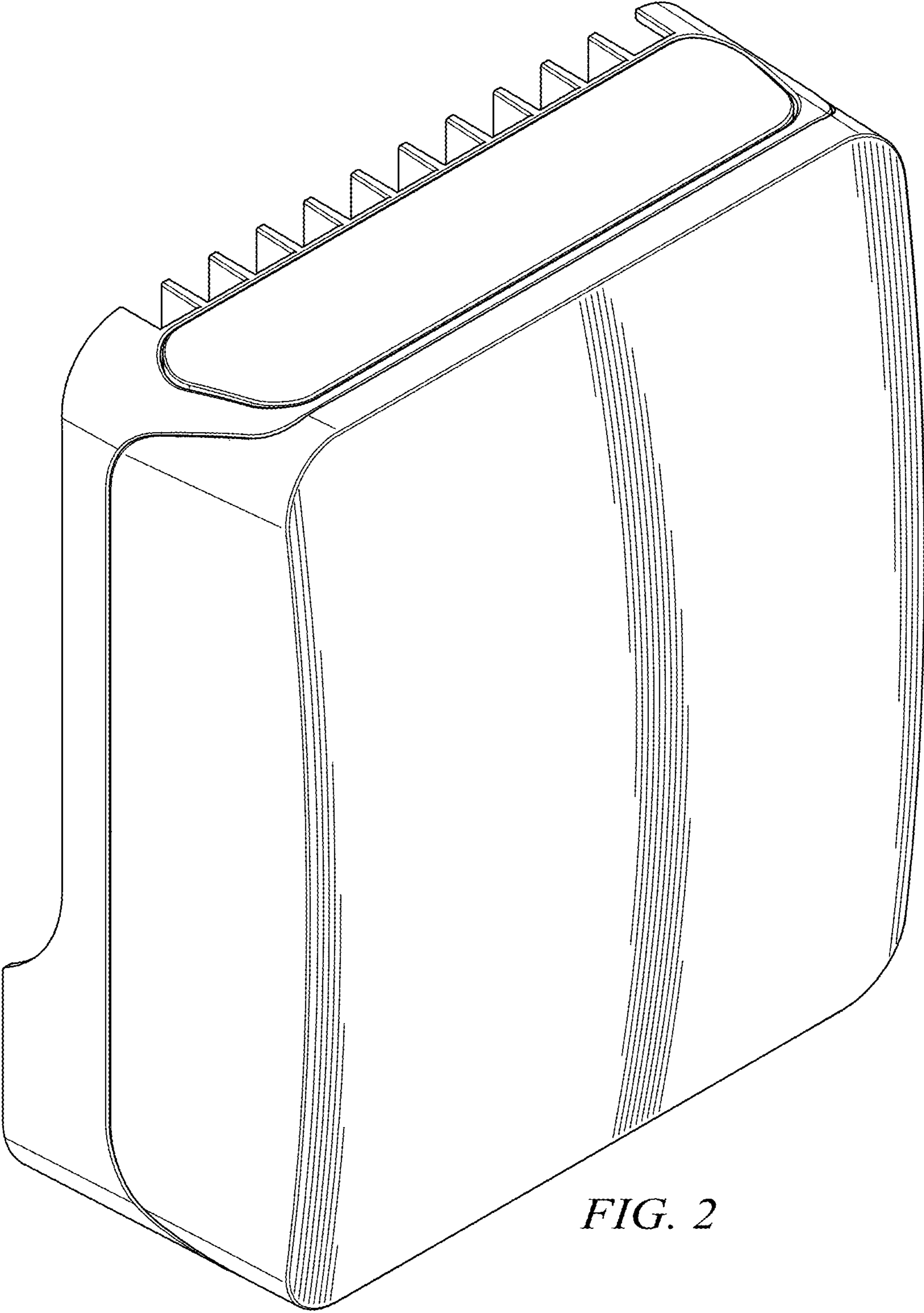


FIG. 2

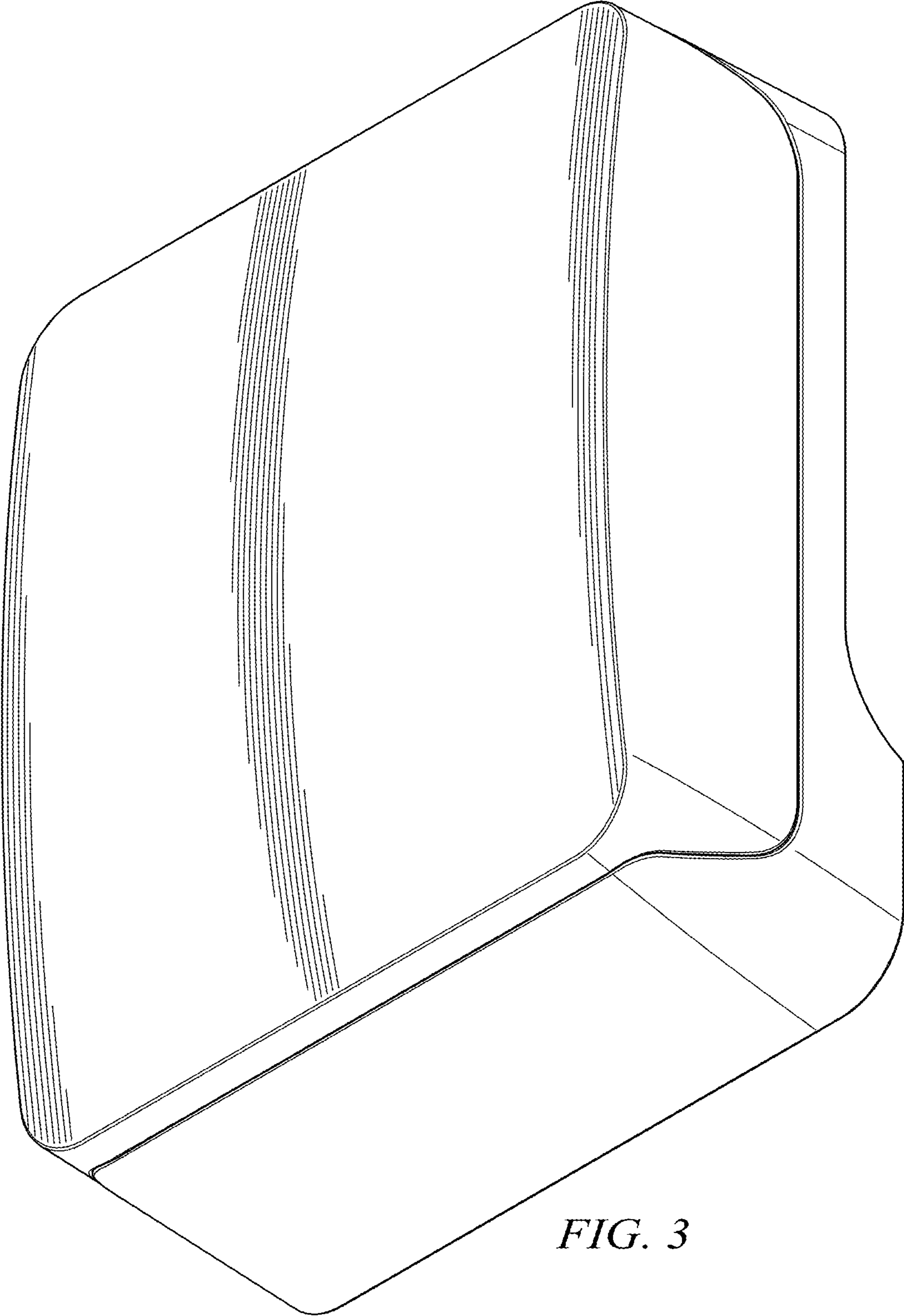


FIG. 3

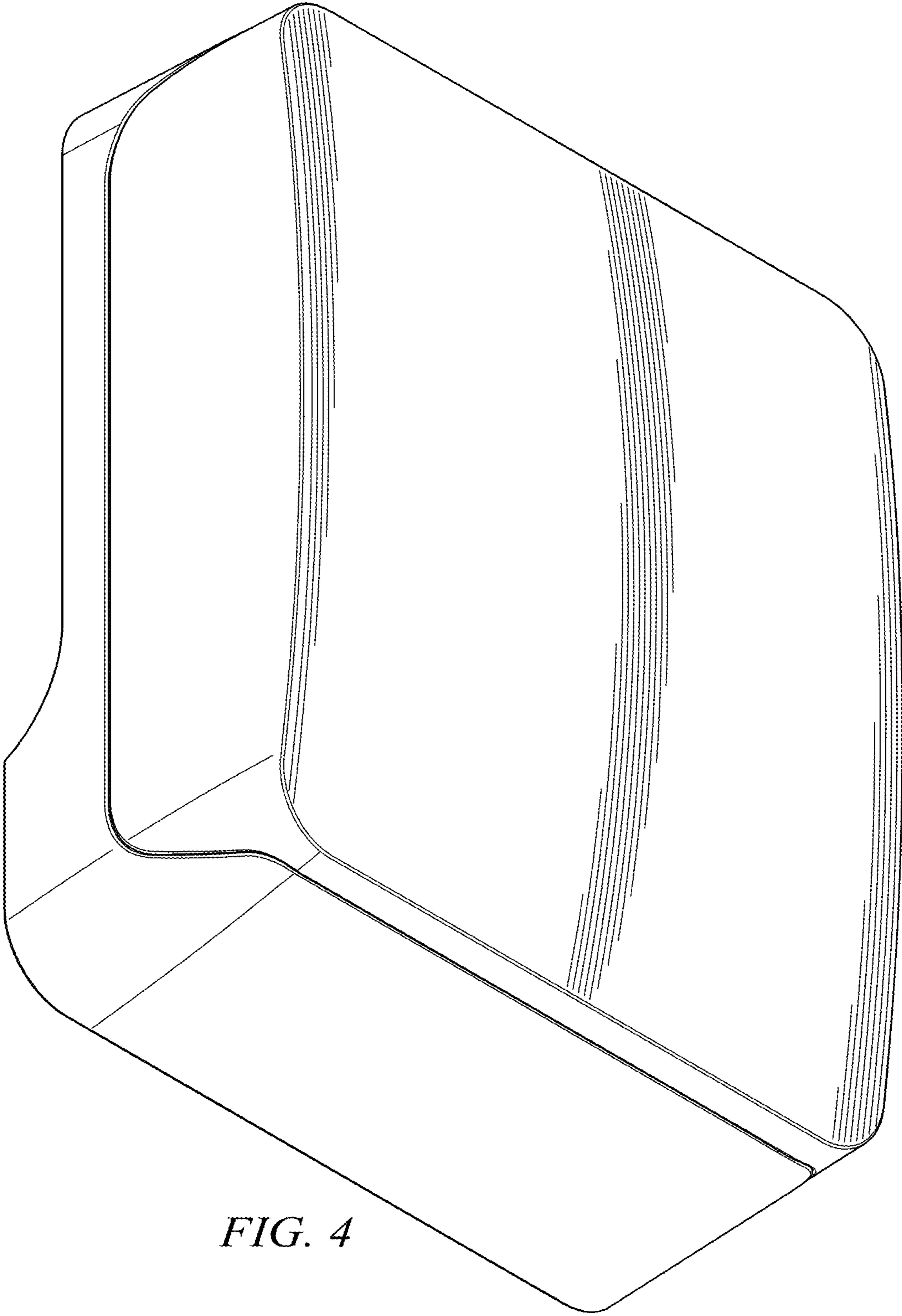


FIG. 4

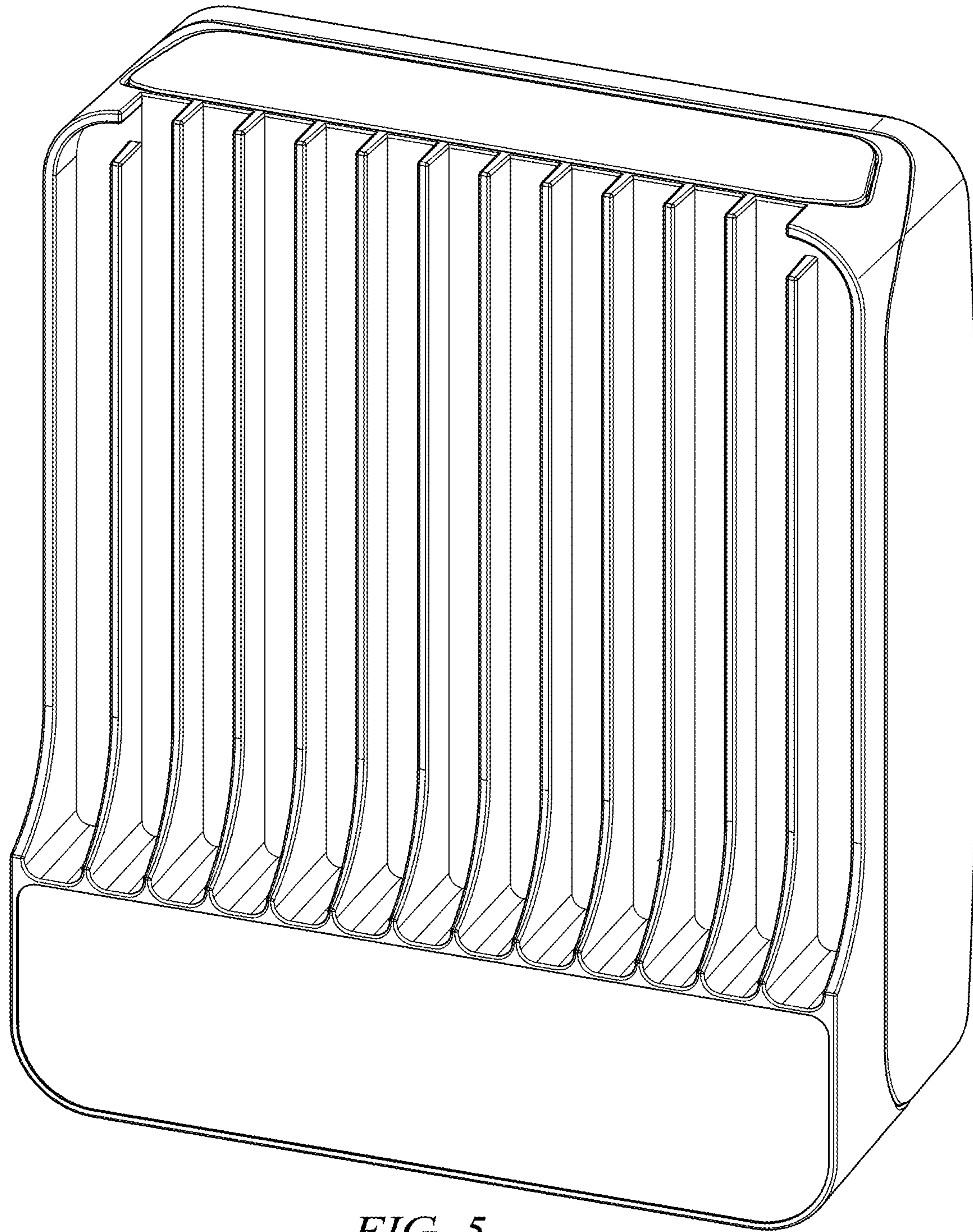


FIG. 5

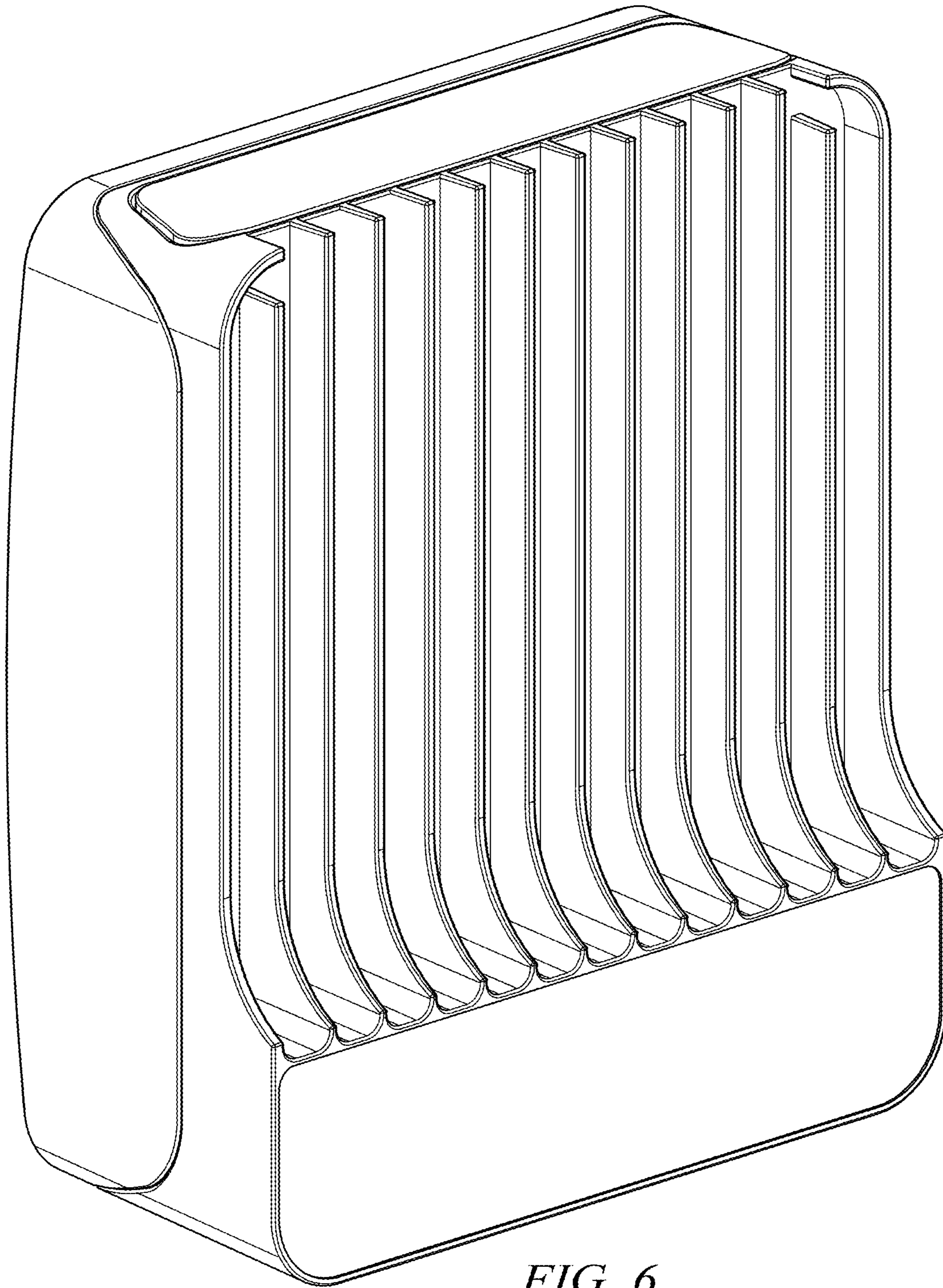


FIG. 6

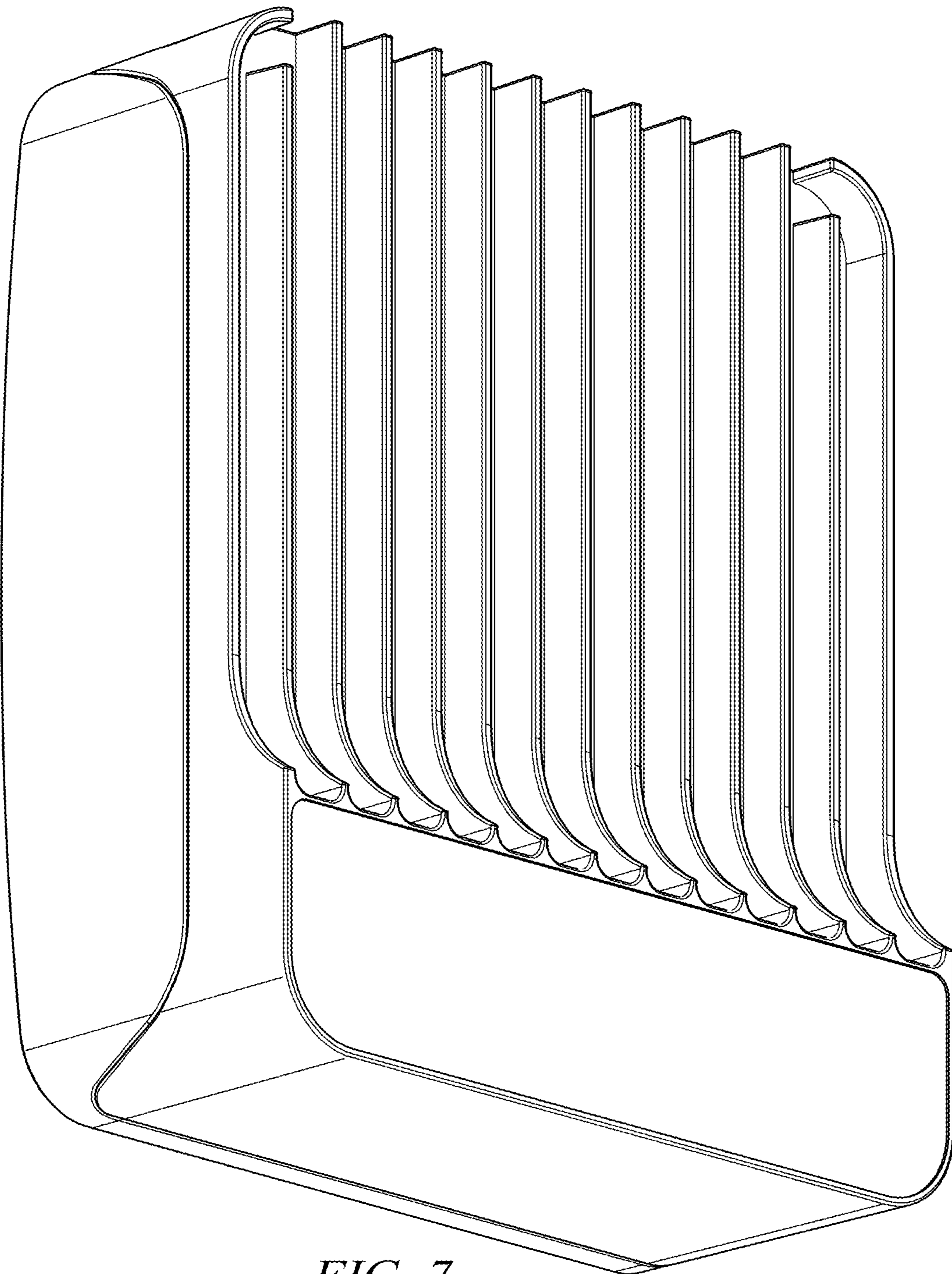


FIG. 7

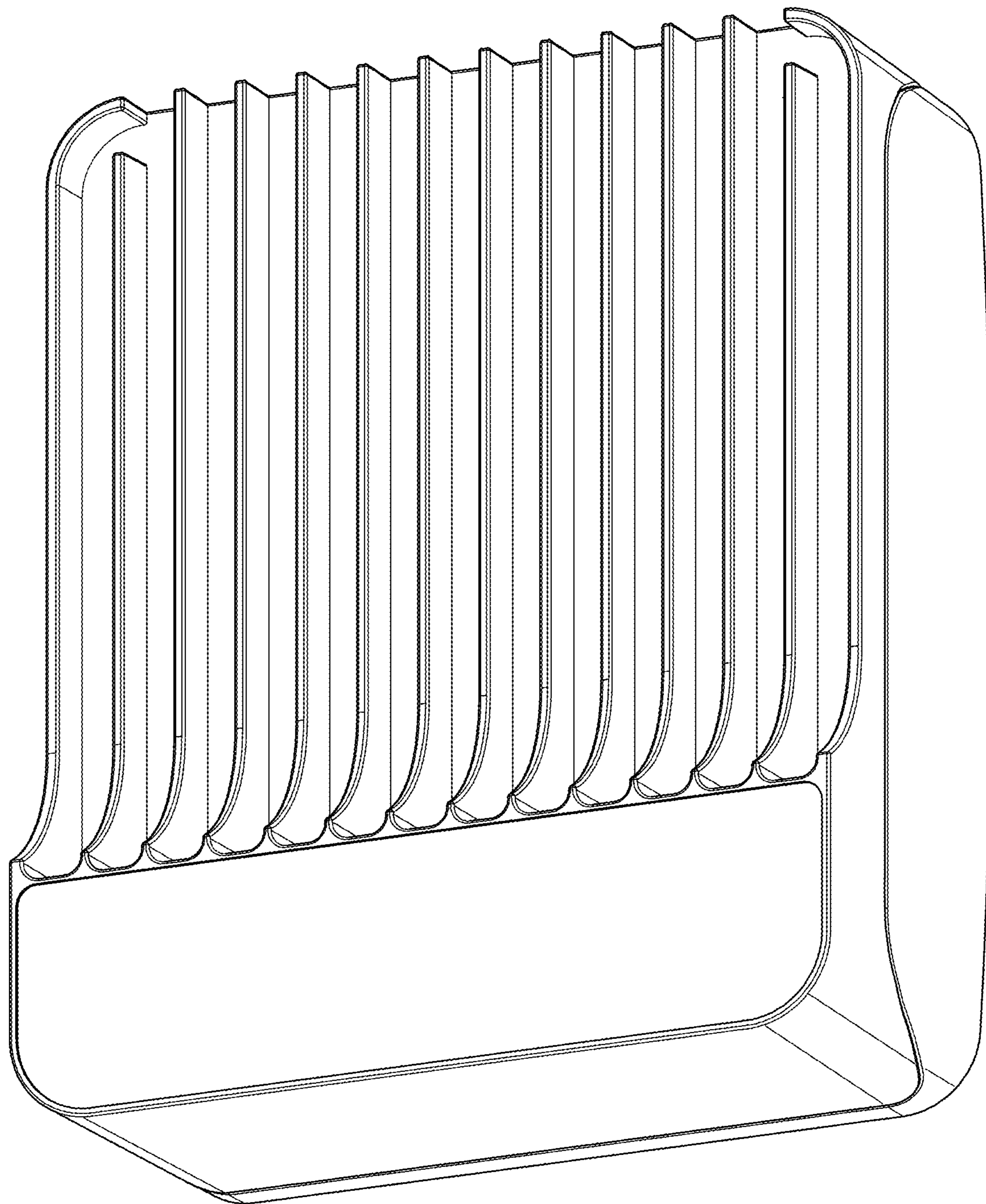


FIG. 8

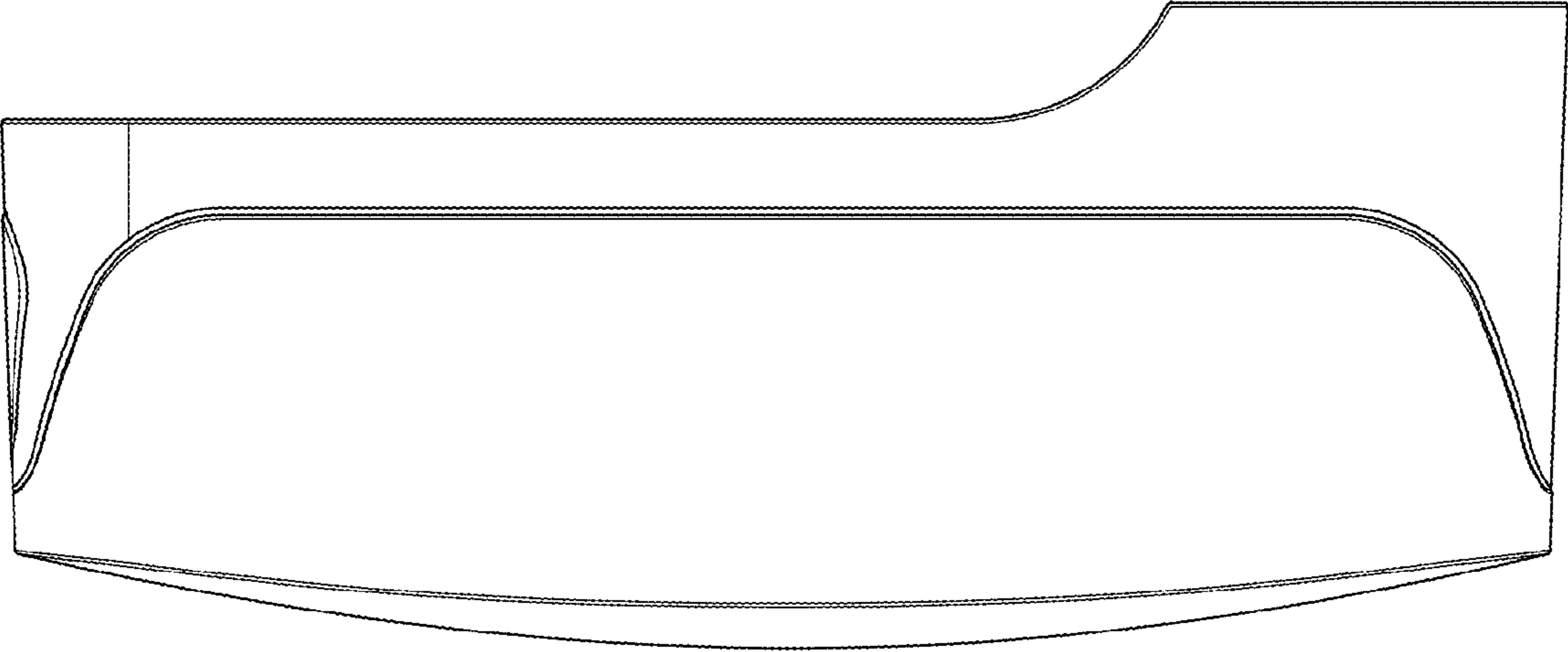


FIG. 10

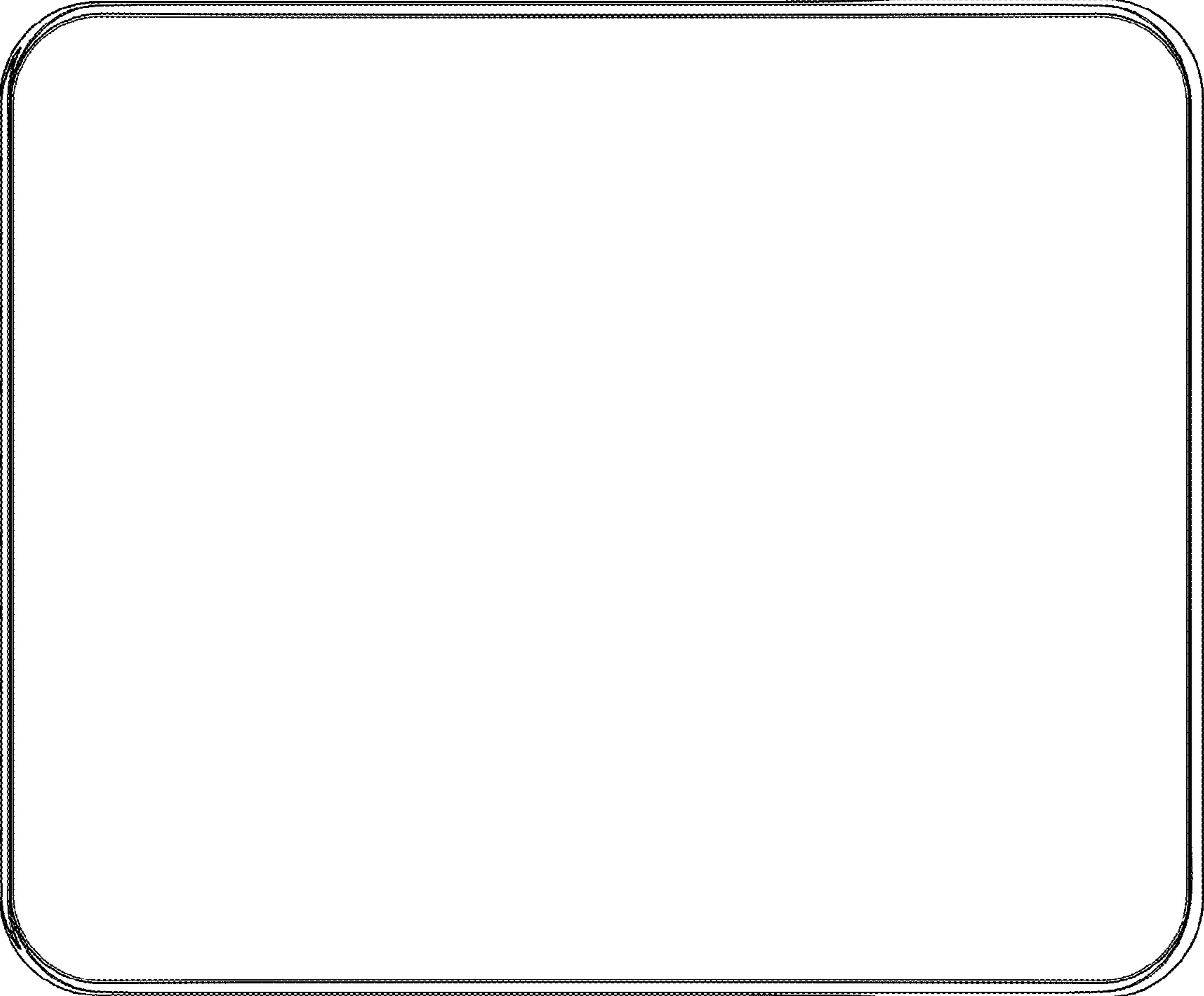


FIG. 9

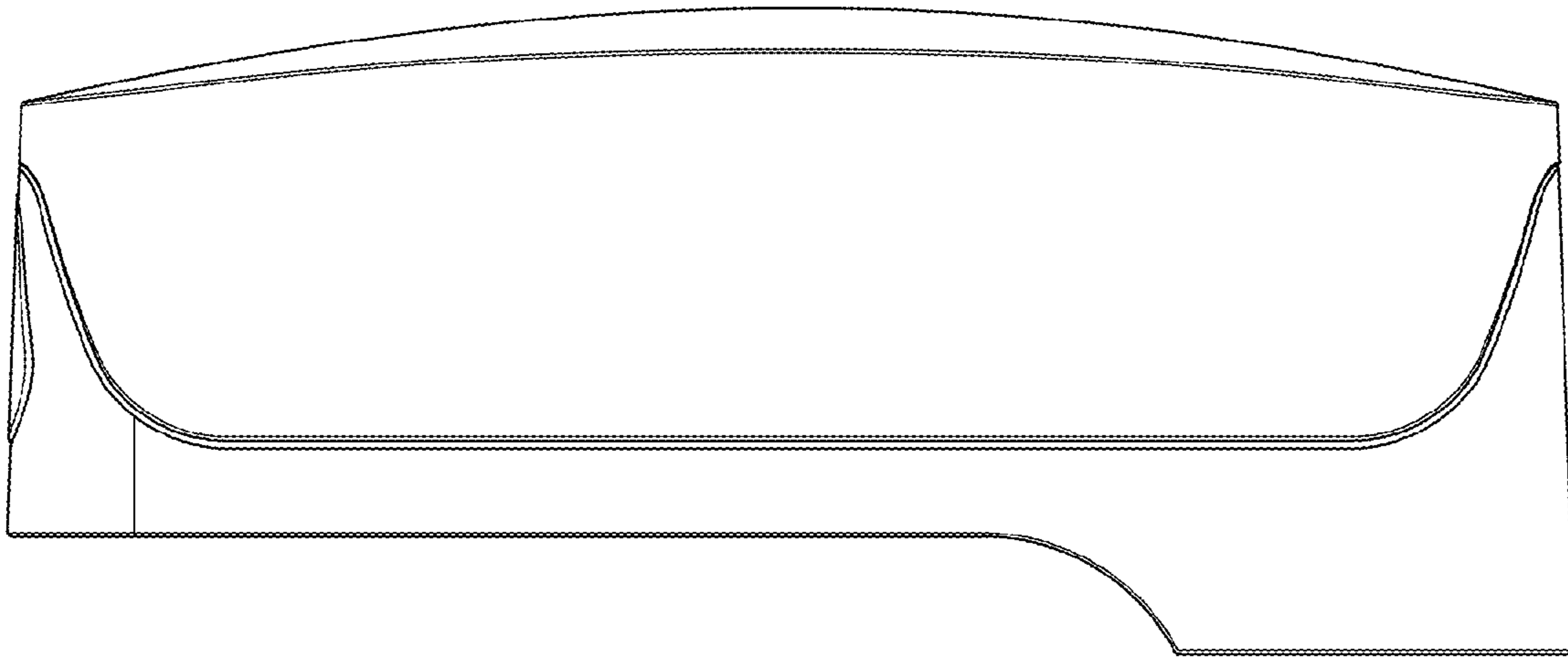


FIG. 12

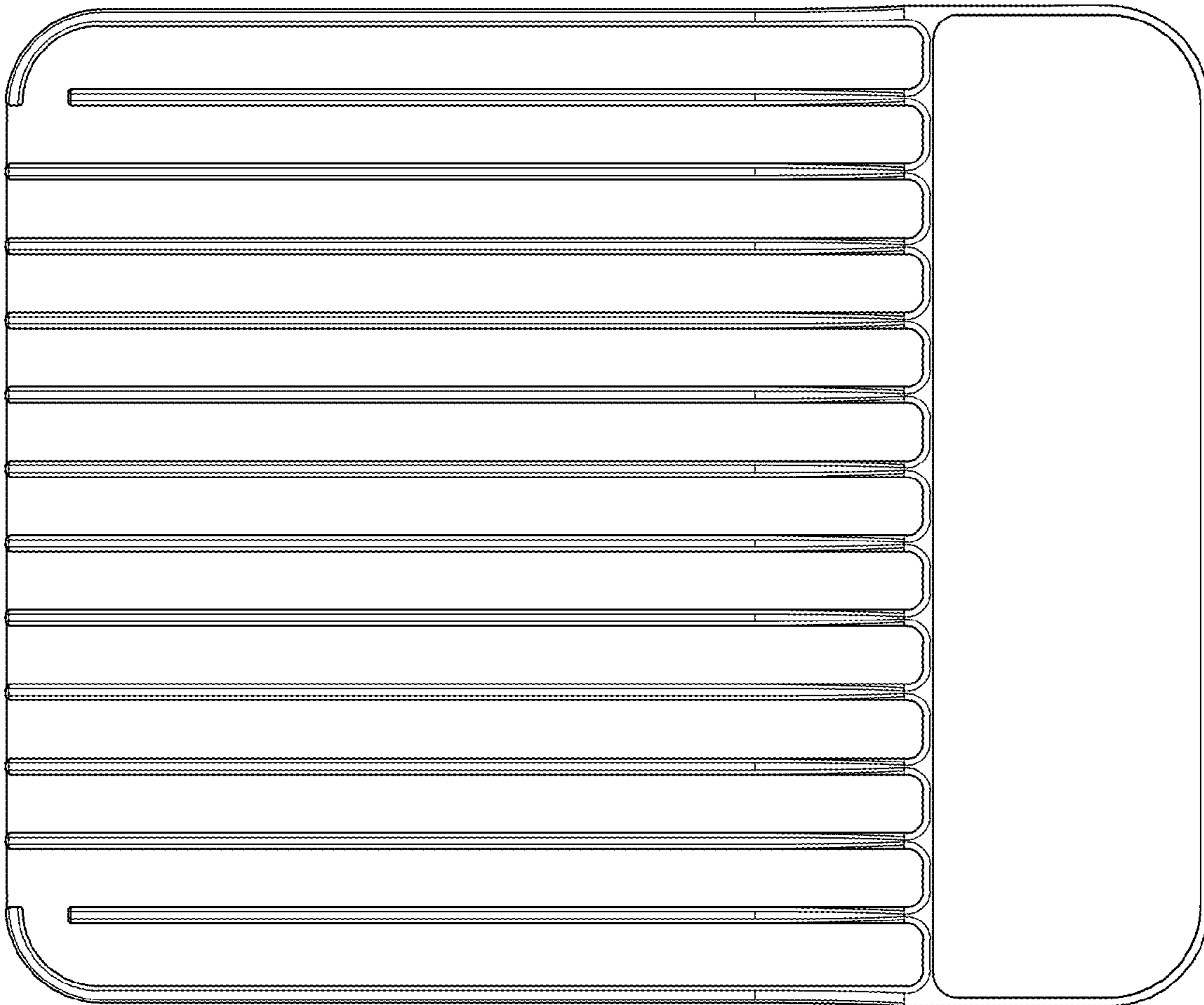


FIG. 11

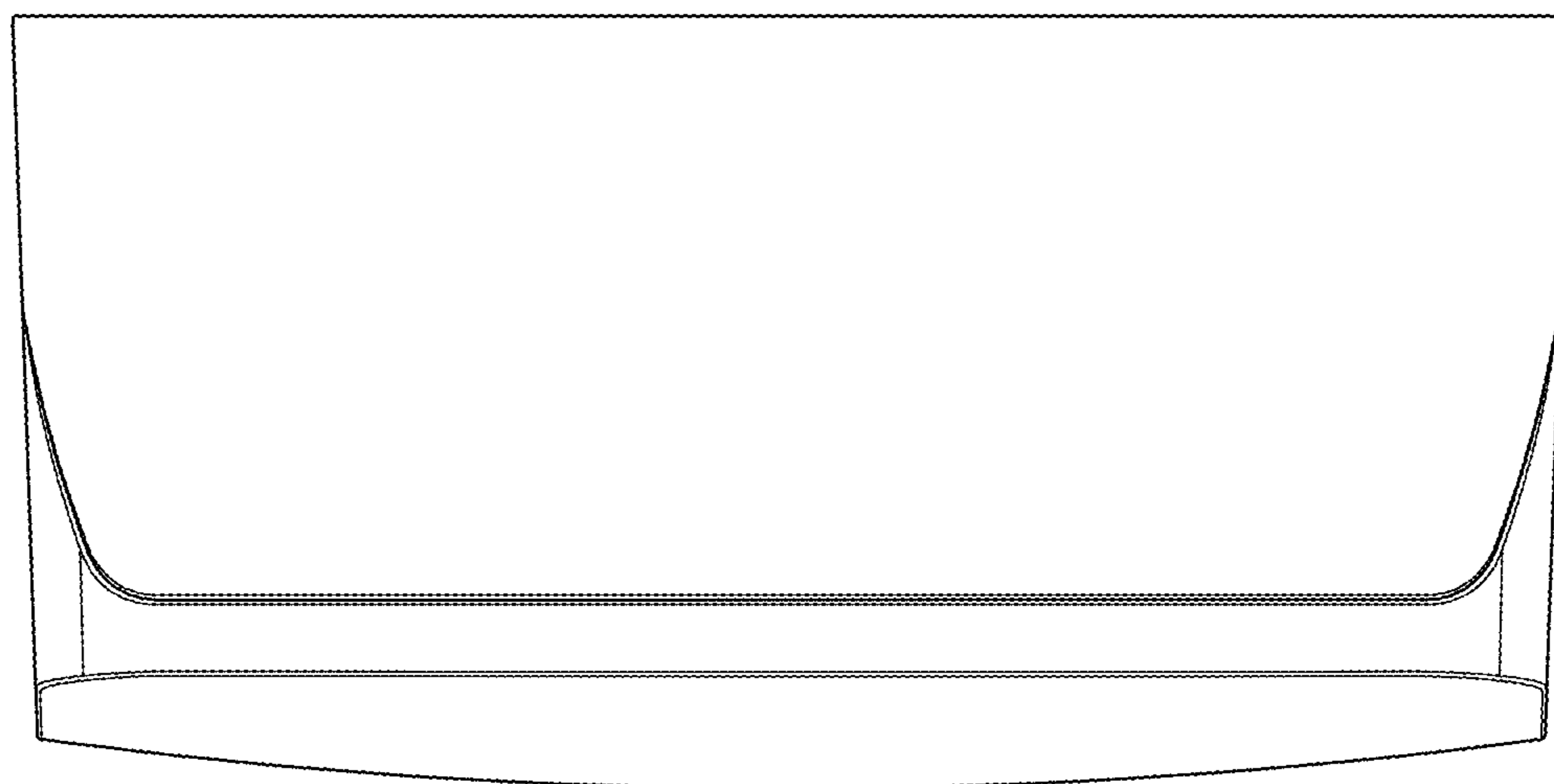


FIG. 13

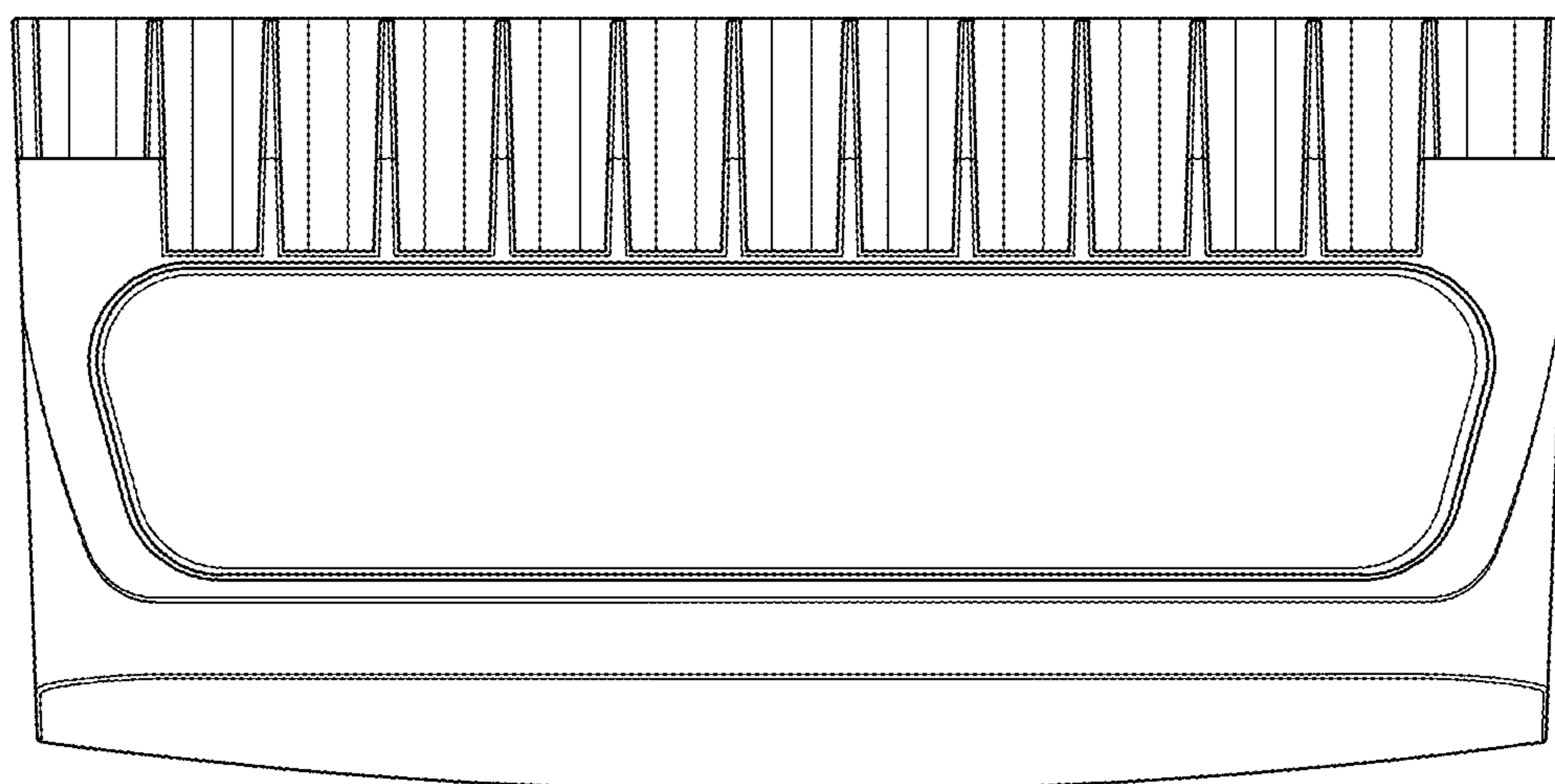


FIG. 14