



US00D895560S

(12) **United States Design Patent** (10) **Patent No.:** **US D895,560 S**
Matthews et al. (45) **Date of Patent:** **** Sep. 8, 2020**

(54) **ELECTRONICS ENCLOSURE**

(71) Applicants: **Taylor E. Matthews**, San Diego, CA (US); **Jin H. Lee**, San Jose, CA (US); **Thomas A. Jung**, San Diego, CA (US)

(72) Inventors: **Taylor E. Matthews**, San Diego, CA (US); **Jin H. Lee**, San Jose, CA (US); **Thomas A. Jung**, San Diego, CA (US)

(73) Assignee: **Applied Ideation, LLC**, San Diego, CA (US)

(**) Term: **15 Years**

(21) Appl. No.: **29/653,766**

(22) Filed: **Jun. 18, 2018**

(51) **LOC (12) Cl.** **13-03**

(52) **U.S. Cl.**
USPC **D13/184**

(58) **Field of Classification Search**
USPC D14/125, 129, 130, 140, 142, 155, 167, D14/168, 172, 188, 195, 203.1, 203.6, D14/204, 205, 216, 240, 242, 299, 496, D14/300, 314, 348, 351, 388, 356, 357, D14/358, 361, 362, 365, 367, 370, 432, D14/433; D13/103, 107, 108, 123, 152, D13/158, 162, 162.1, 163, 168, 184, 199; D10/104.1, 106.1, 106.6, 116.1, 61, 64, D10/75, 106.9

CPC . G06F 3/16; G06F 3/162; G06F 3/165; H04R 1/04; H04R 25/558; H04N 7/15

See application file for complete search history.

(56) **References Cited**

U.S. PATENT DOCUMENTS

D380,199 S *	6/1997	Beruscha	D10/75
D424,026 S *	5/2000	Kabat	D13/184
D427,978 S *	7/2000	Kabat	D13/184
D525,594 S *	7/2006	Bailey	D13/184
D545,768 S *	7/2007	Hsu	D13/147
D556,199 S *	11/2007	Song	D14/357
D584,700 S *	1/2009	Urry	D13/184
D726,179 S *	4/2015	Orthey	D14/358
D829,768 S *	10/2018	Lippitt	D14/496

* cited by examiner

Primary Examiner — Keli L Hill

Assistant Examiner — Harold E Blackwell, II

(74) *Attorney, Agent, or Firm* — Michael P. Alexander

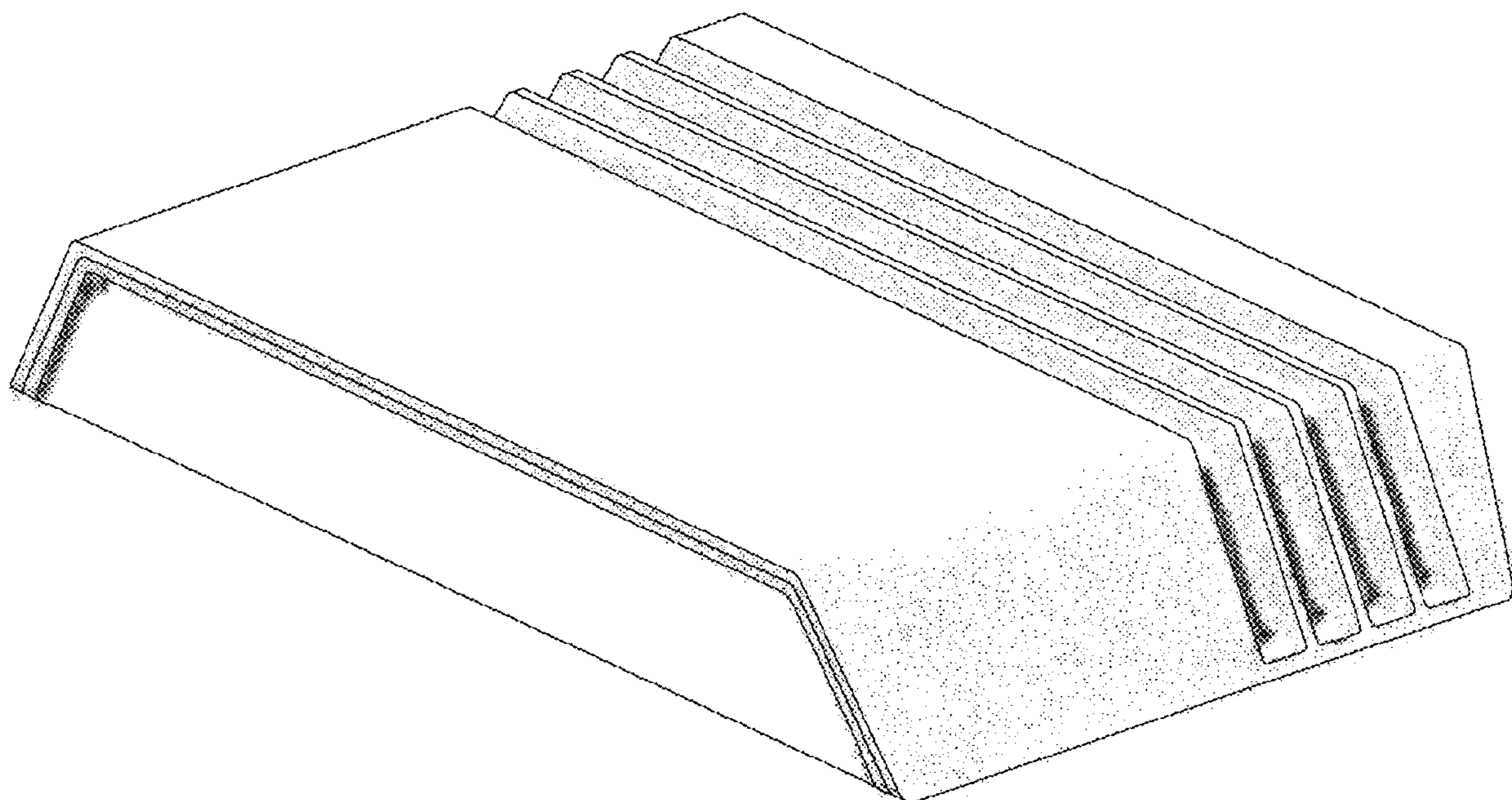
(57) **CLAIM**

We claim the ornamental design for an electronics enclosure, as shown and described.

DESCRIPTION

FIG. 1 is a perspective view showing a top, front, and right side of our new design for the electronics enclosure; FIG. 2 is a front elevational view thereof, which is identical to the rear elevational view; FIG. 3 is a left elevational view thereof, being a mirror image of the right elevational view; FIG. 4 is a bottom view thereof; and, FIG. 5 is a top view thereof.

1 Claim, 5 Drawing Sheets



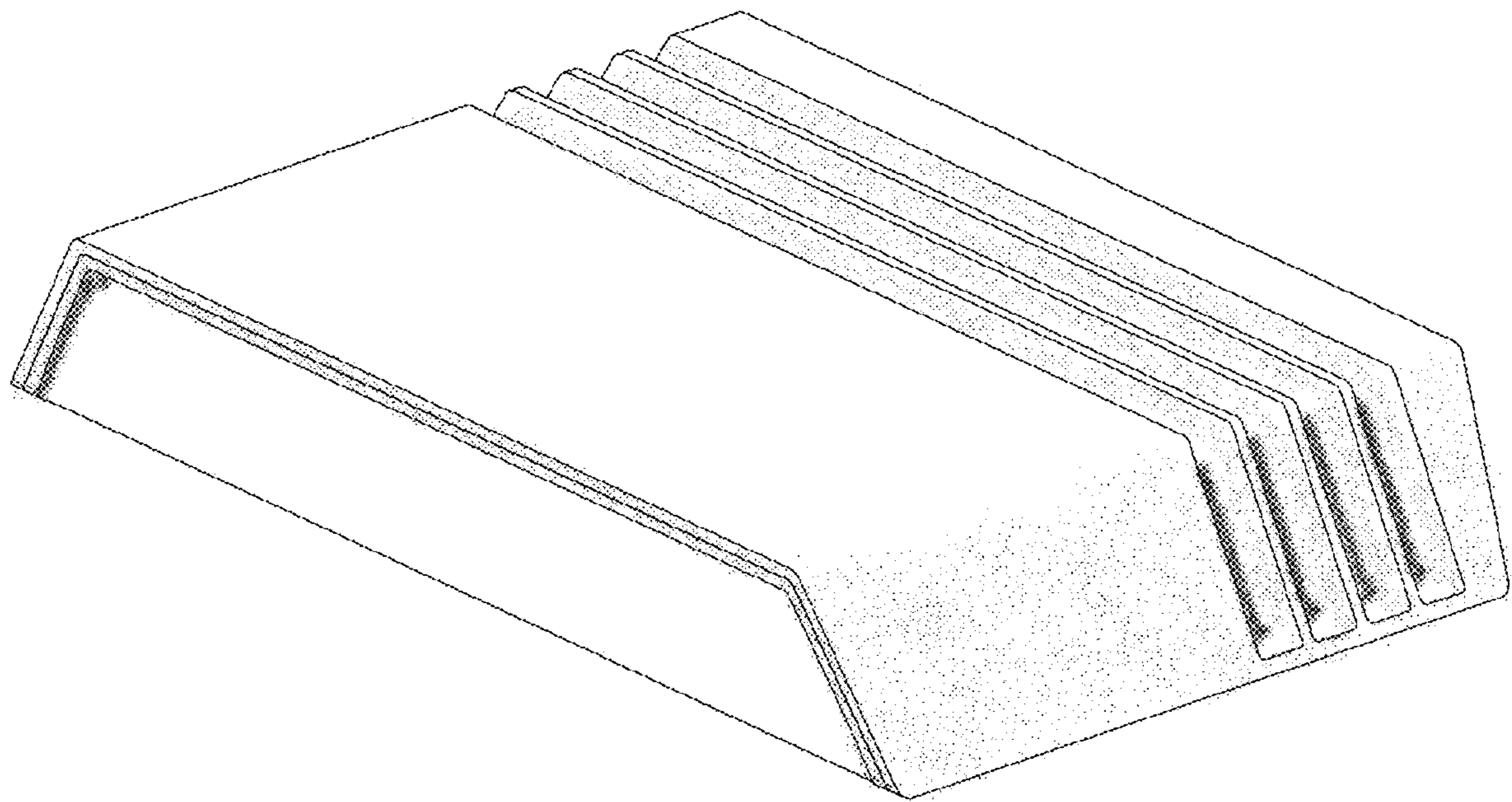


Fig. 1

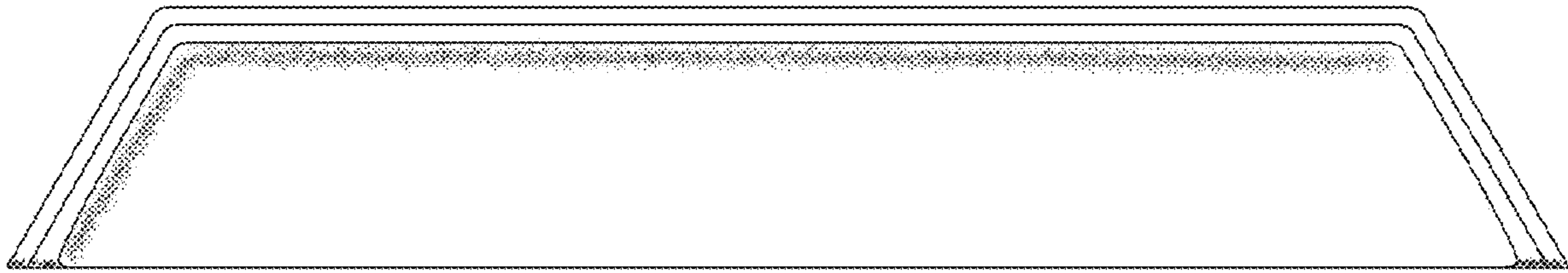


Fig. 2

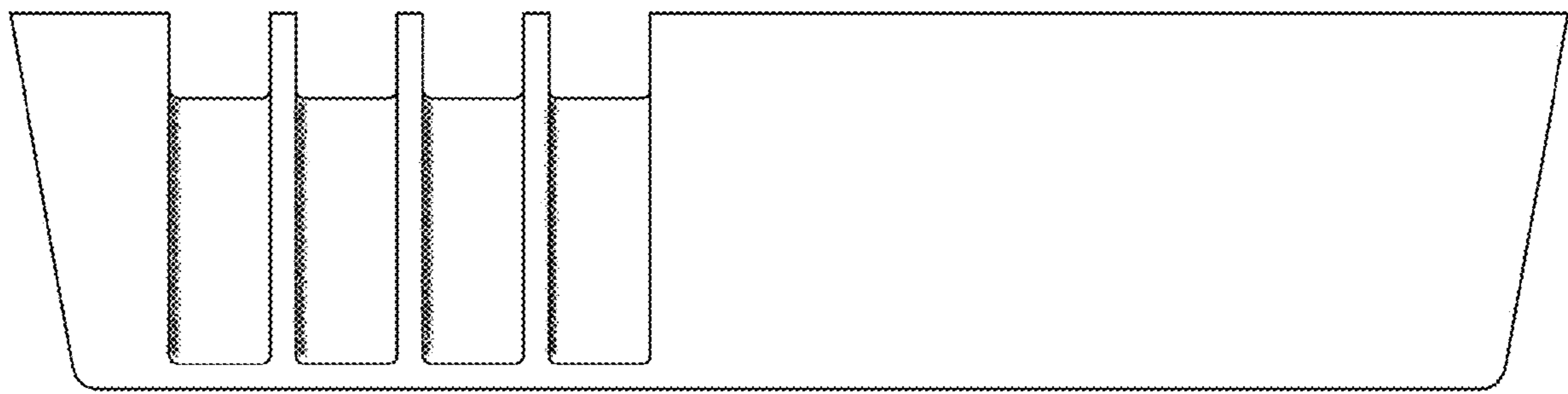


Fig. 3

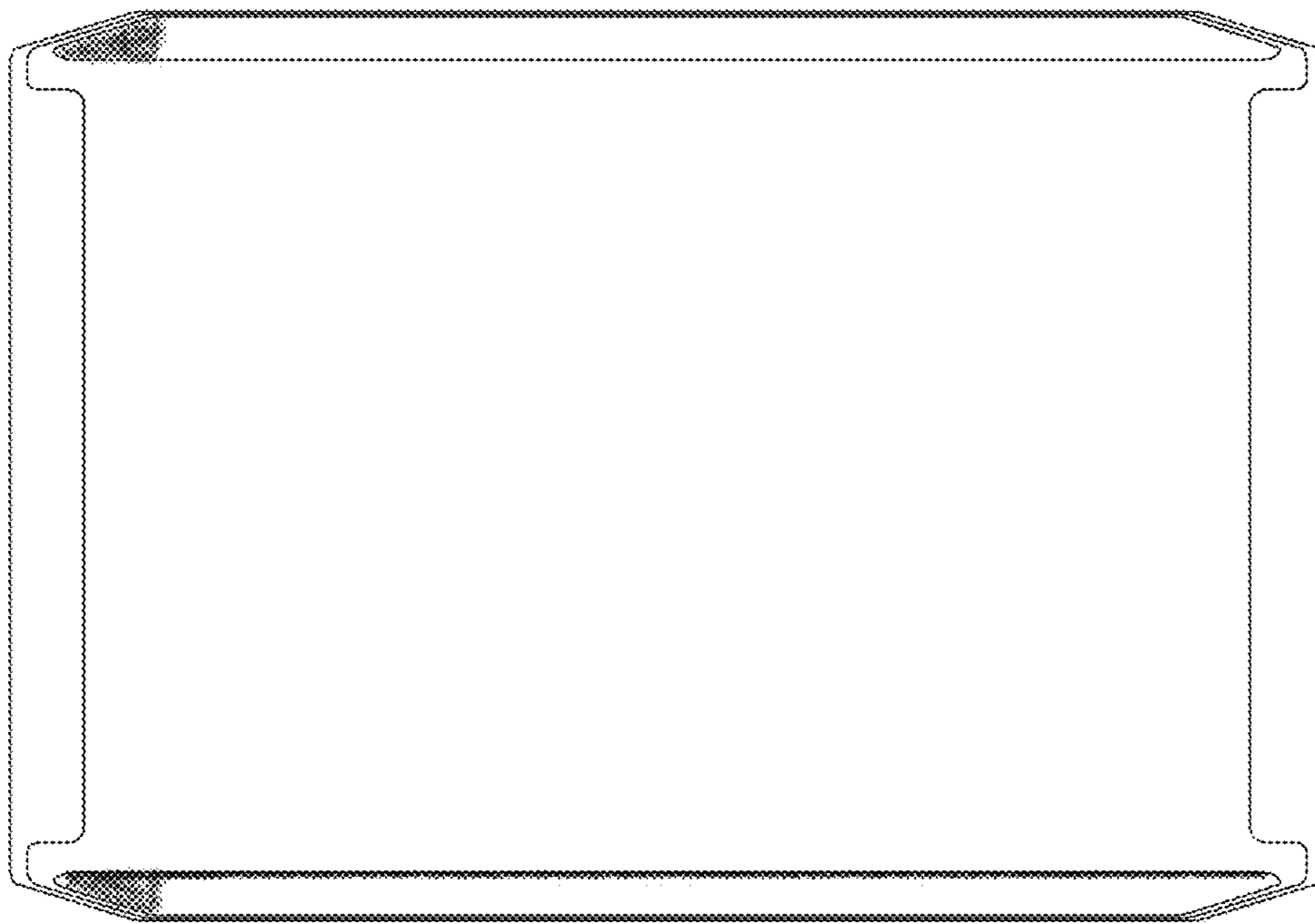


Fig. 4

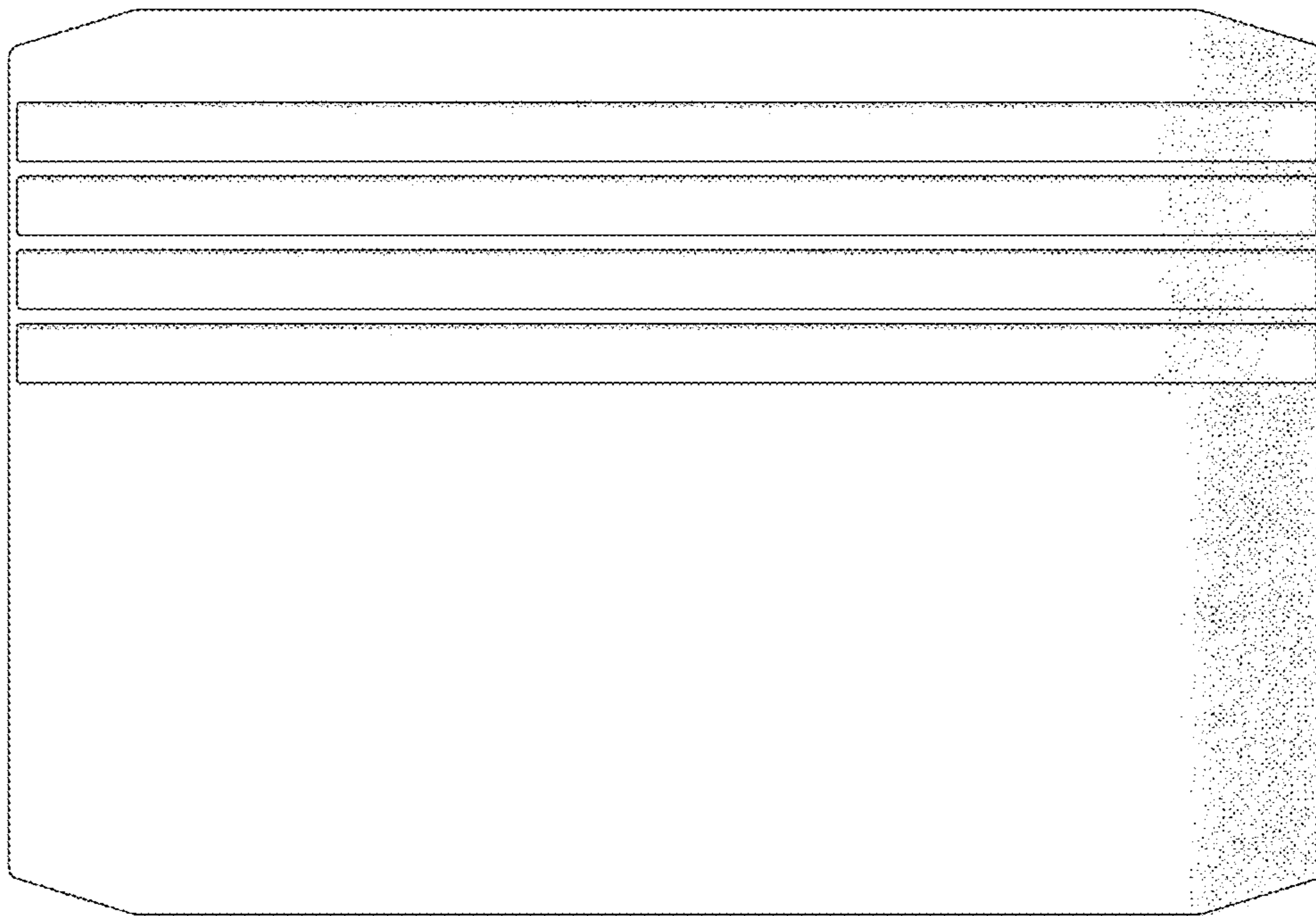


Fig. 5