

US00D895557S

(12) **United States Design Patent** (10) **Patent No.:** **US D895,557 S**
Loew (45) **Date of Patent:** **** Sep. 8, 2020**

(54) **DASHBOARD FOR PAVER**
(71) Applicant: **BOMAG GmbH**, Boppard (DE)
(72) Inventor: **Roland Loew**, Klein-Winternheim (DE)
(73) Assignee: **BOMAG GmbH**, Boppard (DE)
(**) Term: **15 Years**
(21) Appl. No.: **29/671,509**

D398,289 S 9/1998 Burke
6,007,272 A 12/1999 Macku et al.
6,071,040 A 6/2000 Macku et al.
D432,963 S 10/2000 Meinhardt
D454,567 S * 3/2002 Hayes D14/401
D454,878 S * 3/2002 Hayes D14/401
D518,082 S * 3/2006 Muto D13/168
D525,212 S 7/2006 Kim
D525,409 S * 7/2006 Cantrill D12/192
D527,393 S 8/2006 Maas et al.
D533,569 S 12/2006 Mursch

(Continued)

(22) Filed: **Nov. 28, 2018**

OTHER PUBLICATIONS

(30) **Foreign Application Priority Data**

Probst Maveg, Neuer Kleinfertiger von BOMAG, post date Aug. 19, 2019, URL: <https://probst-maveg.ch/aktuelles/neuer-kleinfertiger>, retrieved Apr. 9, 2020.*

Jun. 4, 2018 (EM) 005295680-0002

(51) **LOC (12) Cl.** **13-03**

(52) **U.S. Cl.**
USPC **D13/164; D15/28**

(58) **Field of Classification Search**
USPC D14/400-418, 426-431, 454-455, 203.3,
D14/218, 300, 356, 358, 383, 388, 399,
D14/432; D21/324, 328, 331, 333, 566;
D13/162-164, 168-172; D15/19, 28, 30;
D34/35; D12/174, 192
CPC .. A63F 9/02; A63F 9/24; A63F 9/0291; A63F
9/0252; A63F 13/00; A63F 13/23; A63F
13/24; A63F 13/26; A63F 13/98; A63F
13/02; A63F 13/12; B60K 37/00; B60K
37/06; B60K 26/00

See application file for complete search history.

Primary Examiner — Jeffrey D Asch
Assistant Examiner — Rebekah A Caruso
(74) *Attorney, Agent, or Firm* — Wood Herron & Evans
LLP

(57) **CLAIM**

The ornamental design for a dashboard for paver, as shown and described.

DESCRIPTION

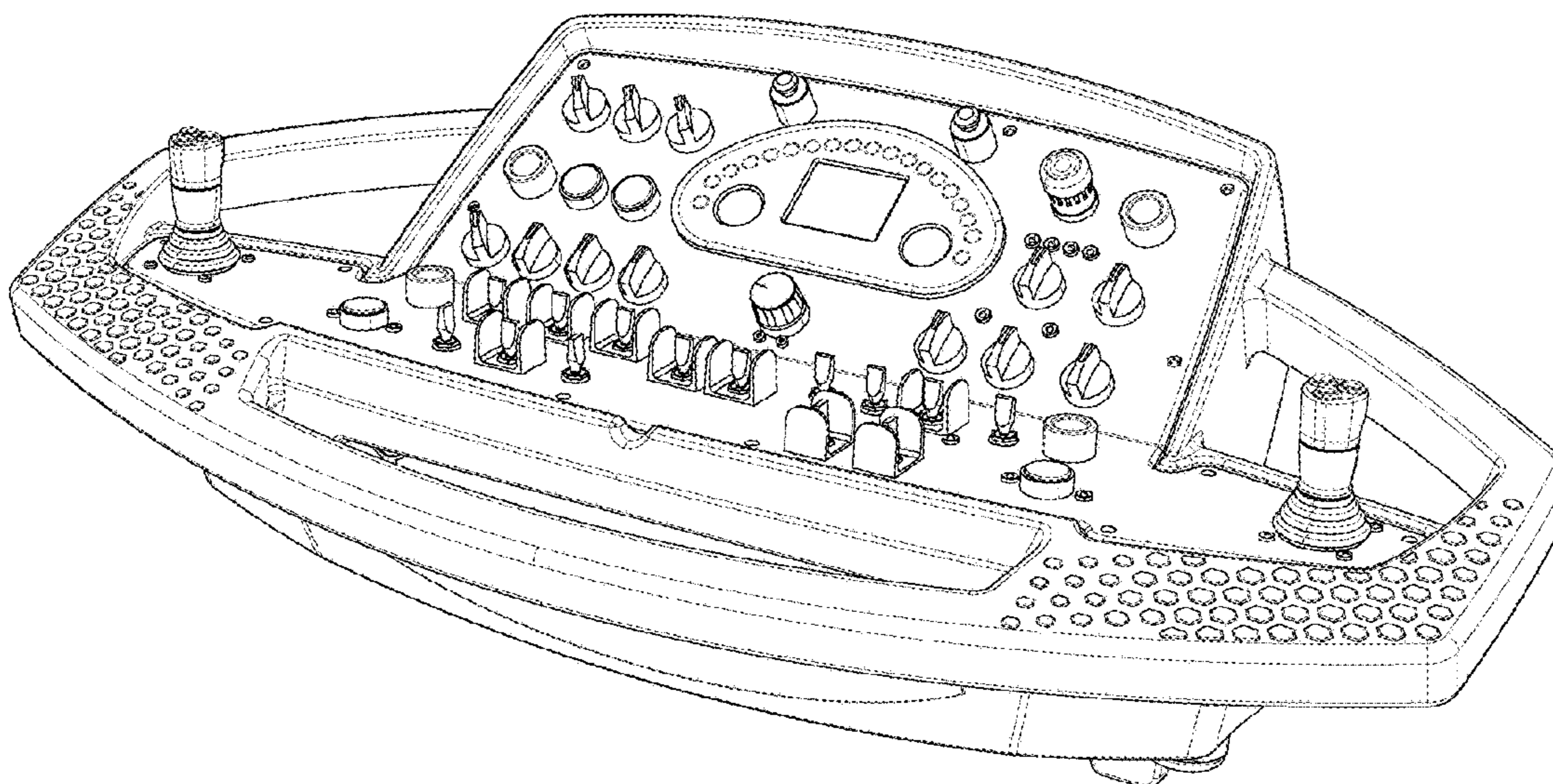
FIG. 1 is a right front perspective view of a dashboard for paver showing my new design;
FIG. 2 is a top perspective view thereof;
FIG. 3 is a right rear perspective view thereof;
FIG. 4 is a bottom perspective view thereof;
FIG. 5 is a front elevation view thereof;
FIG. 6 is a rear elevation view thereof;
FIG. 7 is a right-side elevation view thereof;
FIG. 8 is a left-side elevation view thereof;
FIG. 9 is a top plan view thereof; and,
FIG. 10 is a bottom plan view thereof.

(56) **References Cited**

U.S. PATENT DOCUMENTS

D135,005 S 2/1943 Baumgardner
D239,966 S 5/1976 Swisher, Jr. et al.
3,997,277 A 12/1976 Swisher, Jr. et al.
5,009,546 A 4/1991 Domenighetti et al.
5,201,603 A 4/1993 Bassett et al.
5,201,604 A 4/1993 Ferguson et al.
5,511,900 A 4/1996 Macku

1 Claim, 10 Drawing Sheets



(56)

References Cited

U.S. PATENT DOCUMENTS

D553,580 S	10/2007	Hobson		D753,191 S	4/2016	Ewringmann	
D557,218 S *	12/2007	Ewringmann	D13/164	D754,616 S *	4/2016	Ewringmann	D13/164
D576,563 S	9/2008	Kaluza		D754,757 S	4/2016	Ewringmann	
D578,142 S	10/2008	Ewringmann		D755,252 S	5/2016	Ewringmann	
D587,212 S *	2/2009	Hartwick	D13/163	D767,643 S *	9/2016	Sohngen	D15/28
D590,122 S	4/2009	Shaw et al.		D769,334 S	10/2016	Ewringmann	
D599,825 S	9/2009	Schneider et al.		D770,541 S *	11/2016	Ewringmann	D15/28
D632,308 S	2/2011	Kopacz et al.		D773,535 S	12/2016	Ewringmann	
D650,396 S	12/2011	Ewringmann		D777,623 S	1/2017	Anderton et al.	
D652,063 S *	1/2012	Takeuchi	D15/28	D786,945 S	5/2017	Smith et al.	
D652,432 S	1/2012	Kopacz et al.		D811,444 S	2/2018	Chia et al.	
D652,433 S *	1/2012	Takeuchi	D15/28	D811,445 S	2/2018	Chia et al.	
D659,343 S	5/2012	Saitou et al.		D811,446 S	2/2018	Chia et al.	
D659,939 S	5/2012	Saitou et al.		D812,576 S	3/2018	Gustavsson et al.	
D685,397 S	7/2013	Anderson et al.		D826,287 S	8/2018	Johnson	
D685,398 S	7/2013	Graham et al.		D847,869 S *	5/2019	Sachtleben	D15/28
D689,028 S *	9/2013	Ewringmann	D13/168	D847,870 S *	5/2019	Sachtleben	D15/28
D689,443 S	9/2013	Ewringmann		D856,375 S	8/2019	Mueller	
D742,932 S	11/2015	Ewringmann		2006/0025914 A1 *	2/2006	Buschmann	B60R 11/02 701/50
D742,935 S	11/2015	Ewringmann		2006/0045624 A1	3/2006	Nelson	
D742,936 S *	11/2015	Ewringmann	D15/28	2016/0266610 A1 *	9/2016	Nessel	E02F 9/2004
				2017/0210603 A1 *	7/2017	Maffeis	B66C 23/701

* cited by examiner

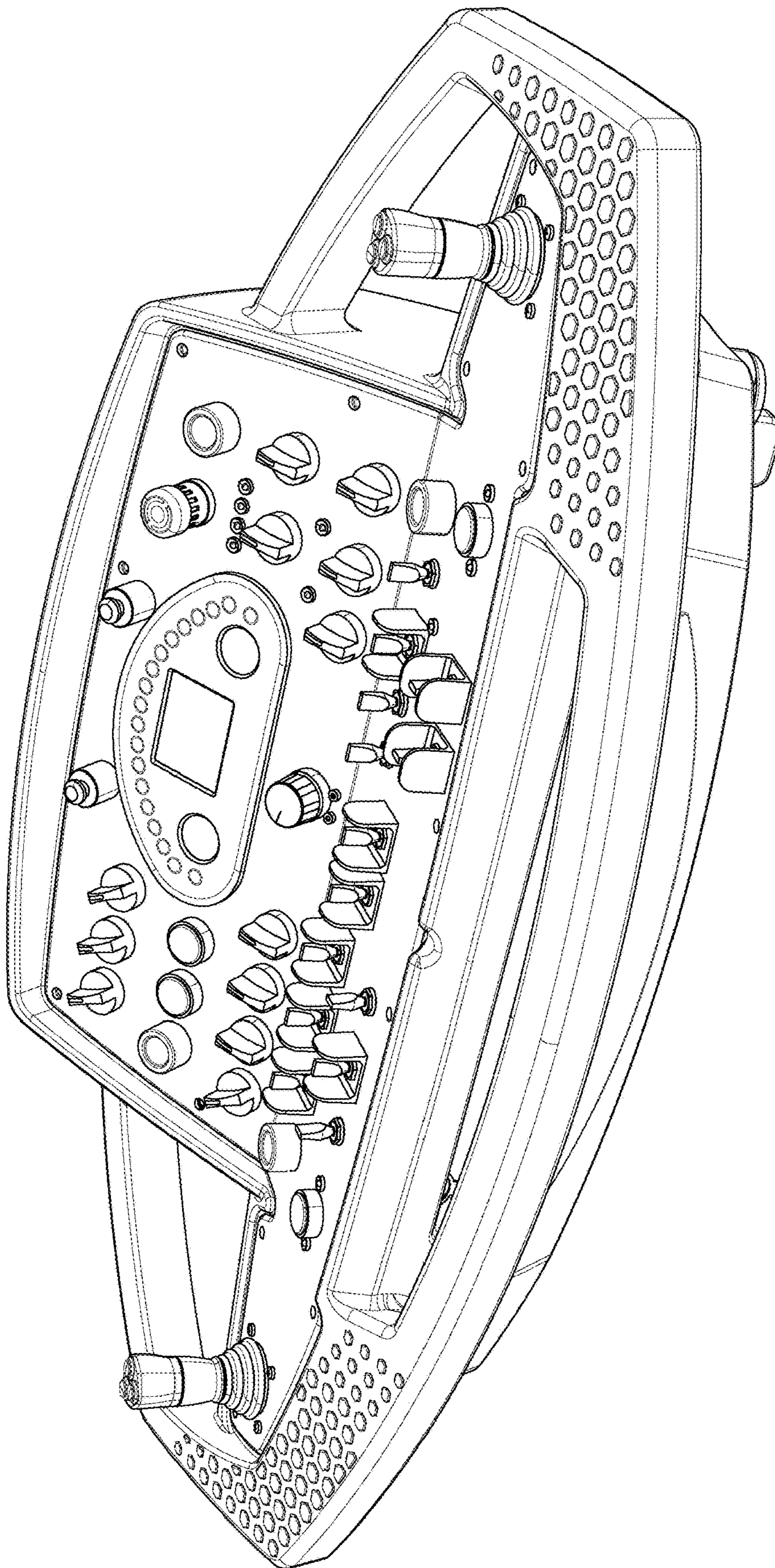


FIG. 1

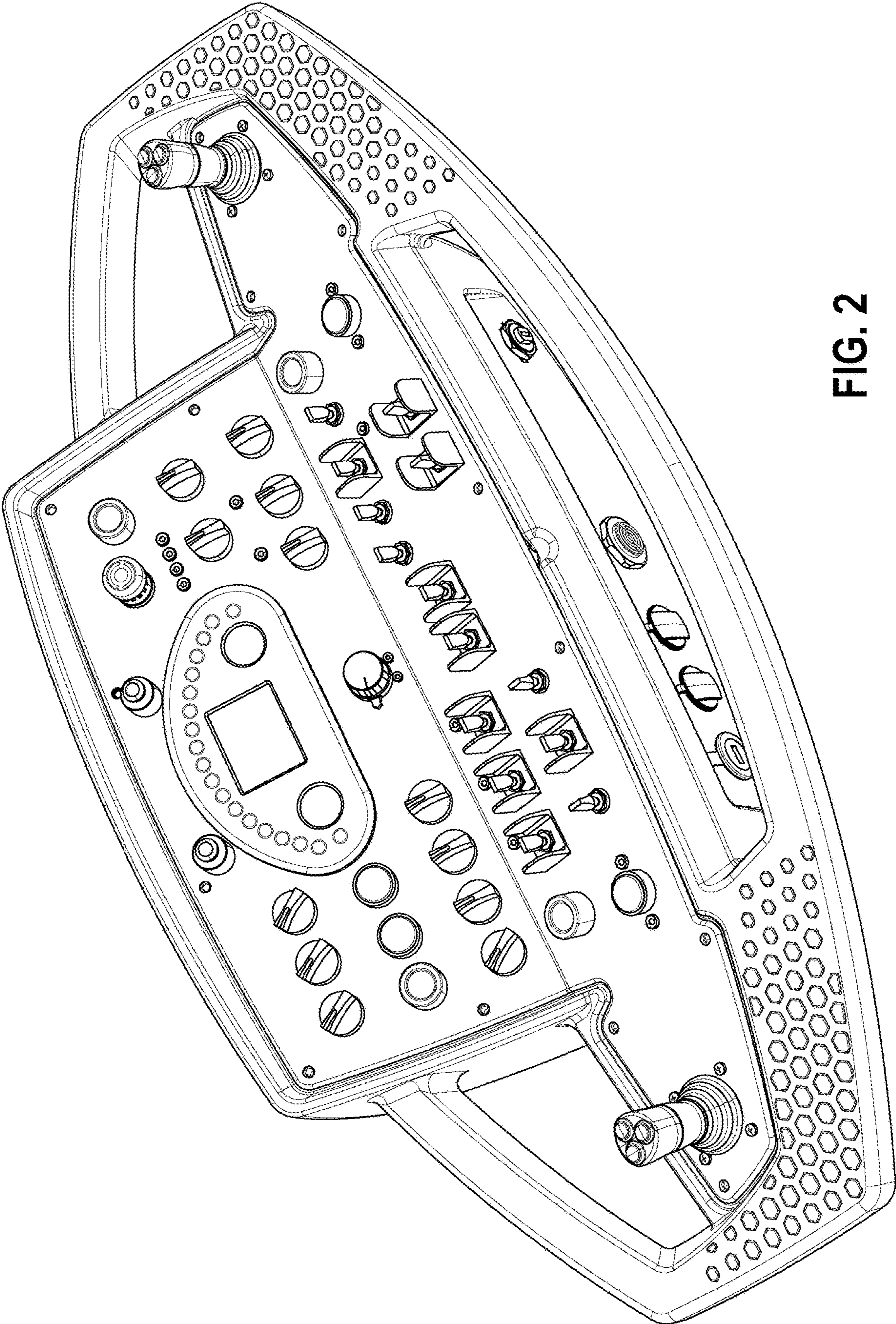


FIG. 2

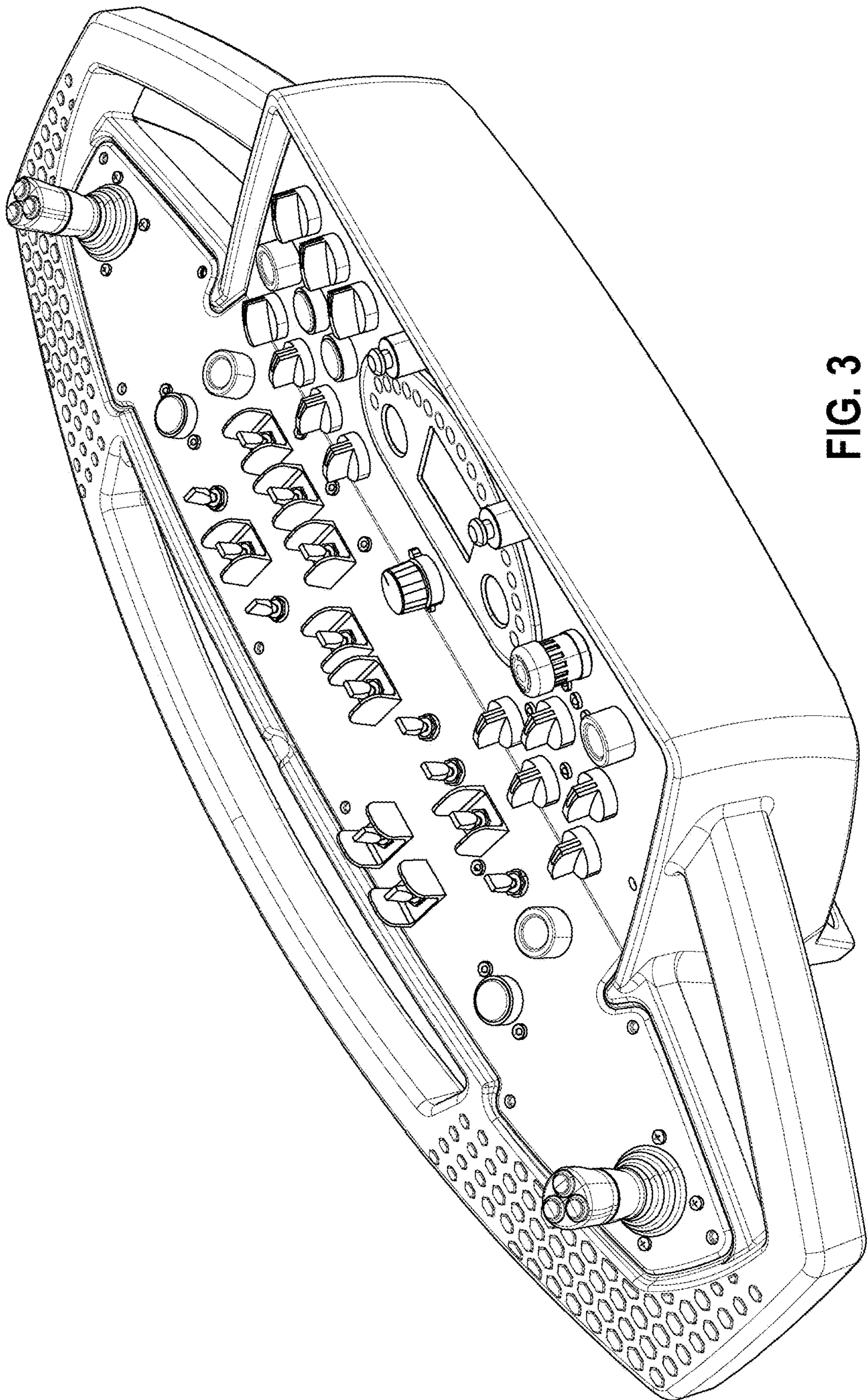


FIG. 3

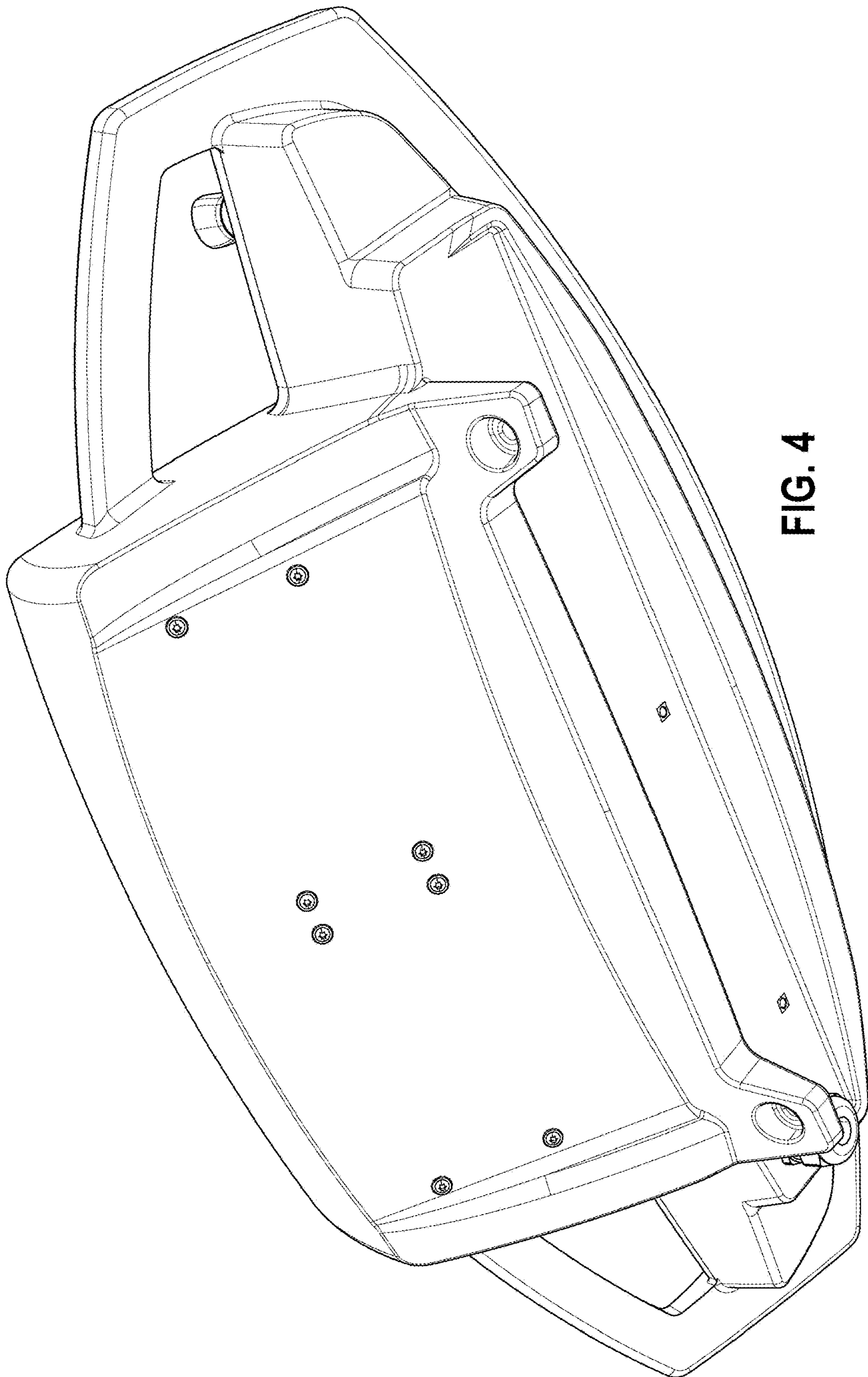


FIG. 4

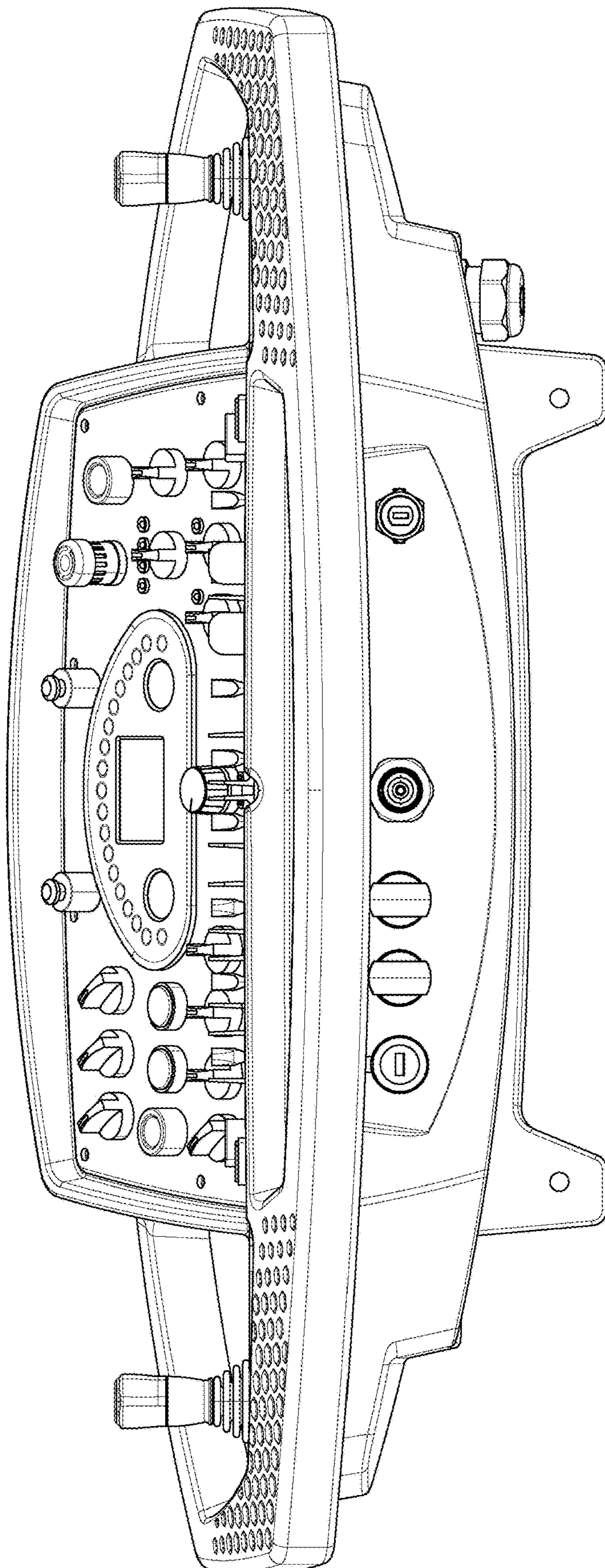


FIG. 5

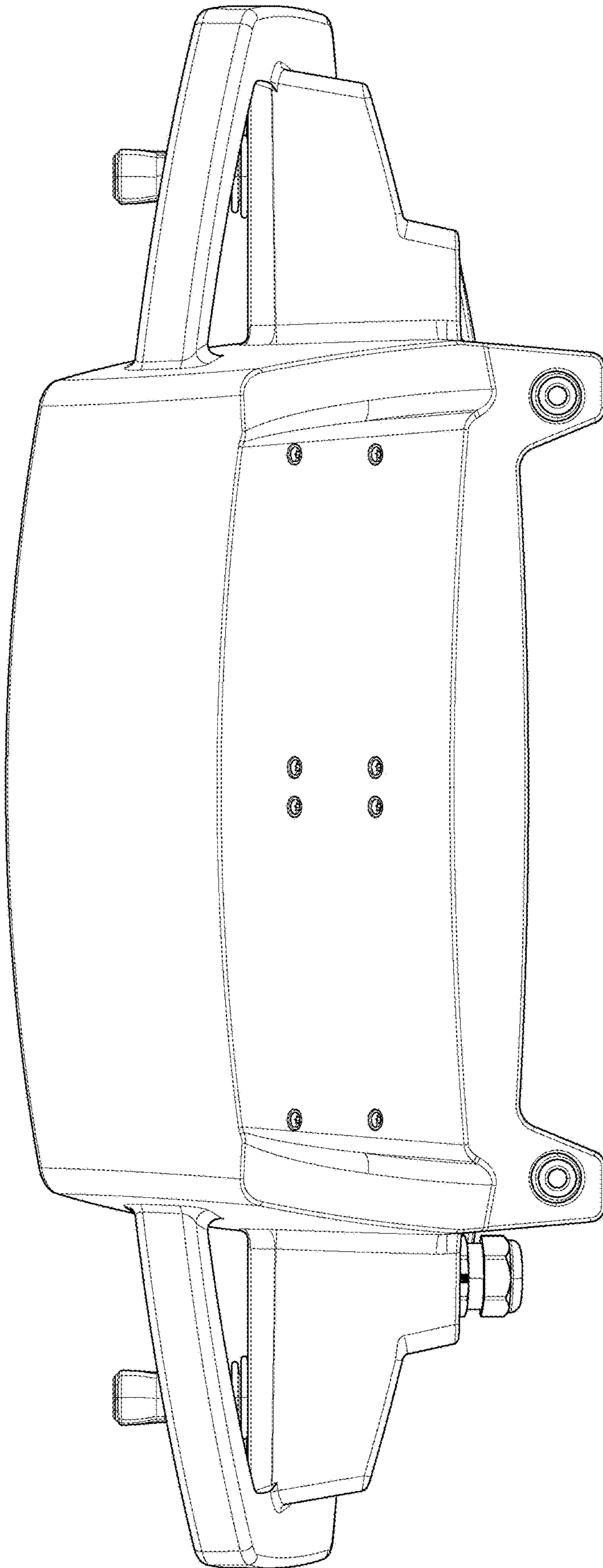


FIG. 6

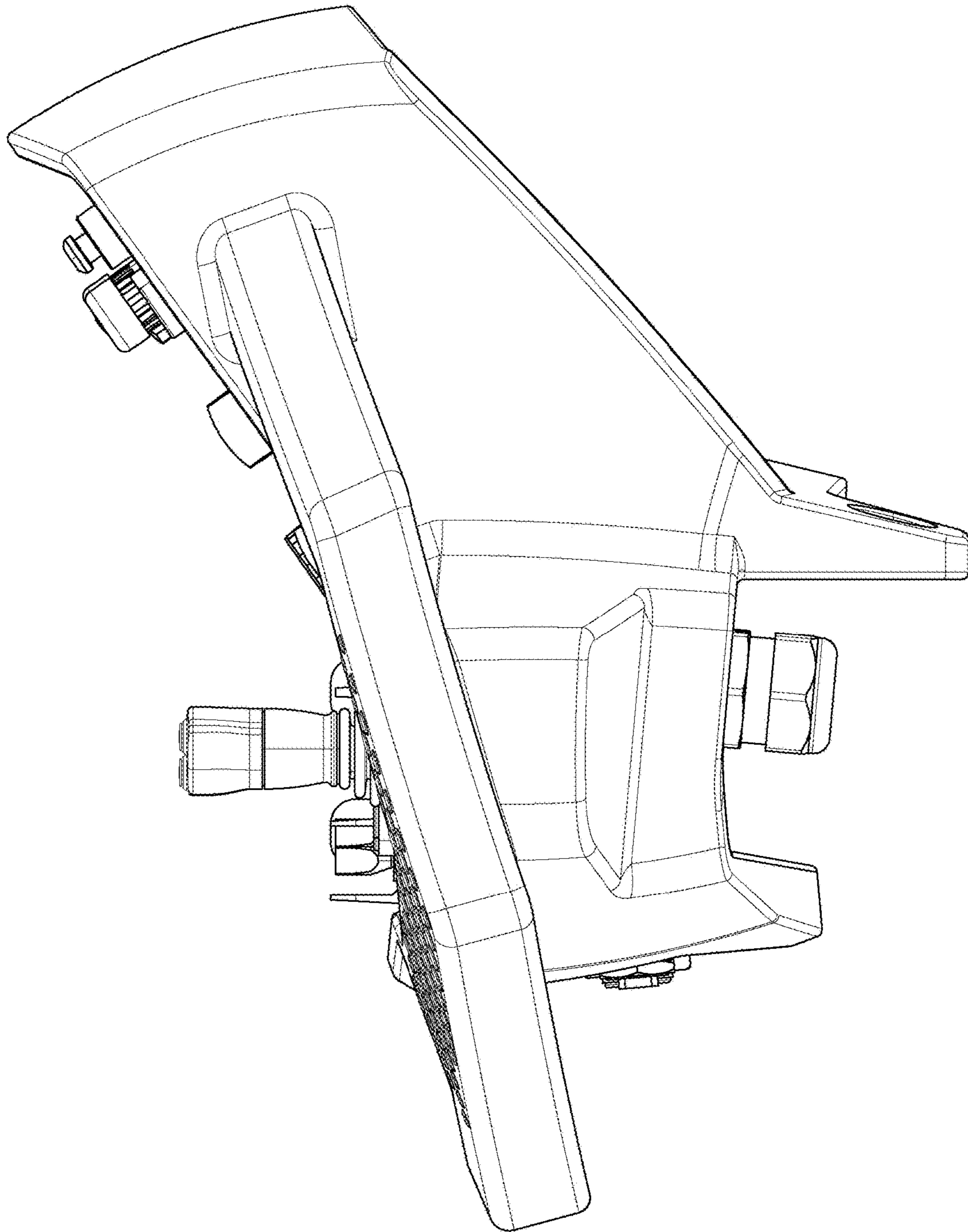


FIG. 7

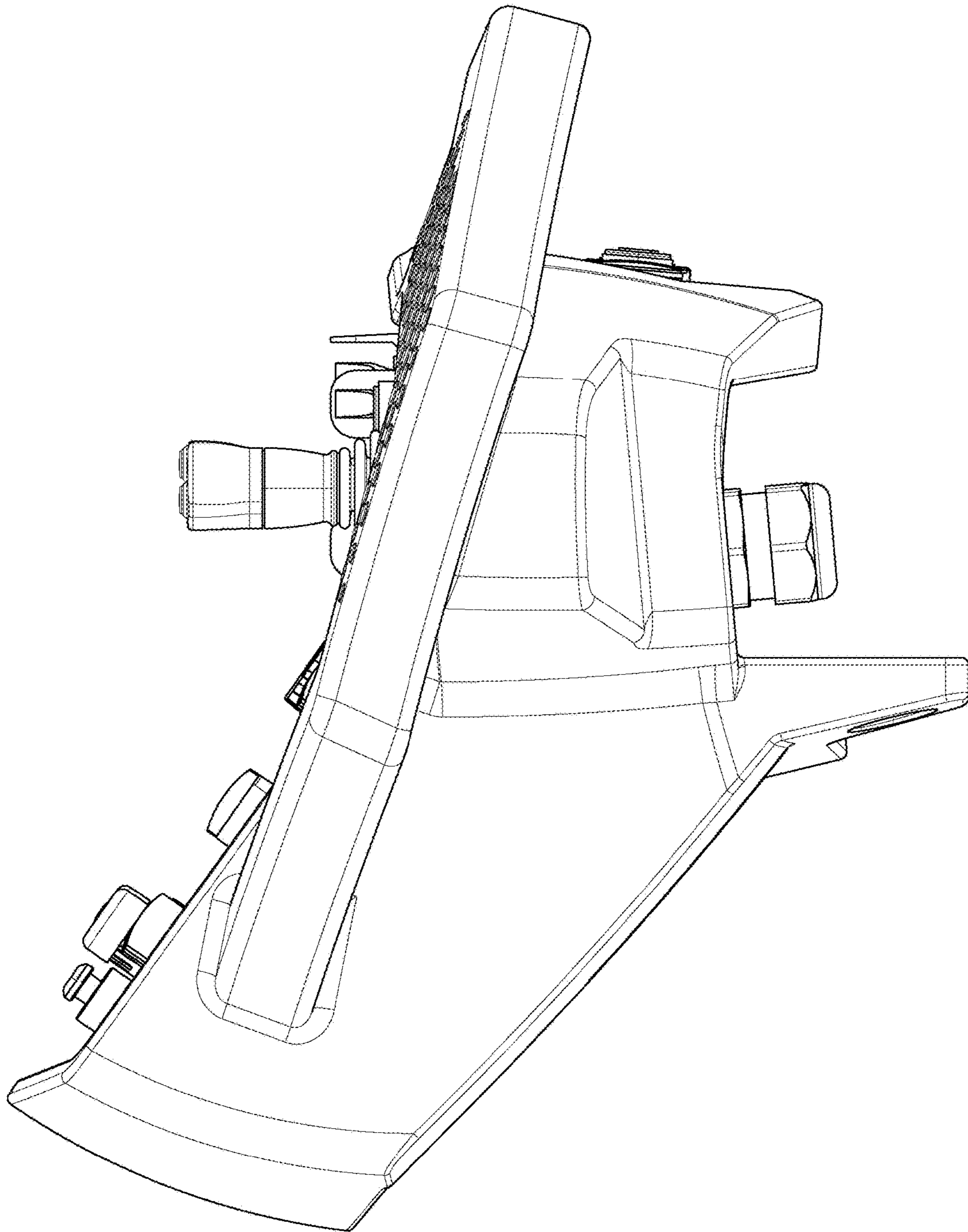


FIG. 8

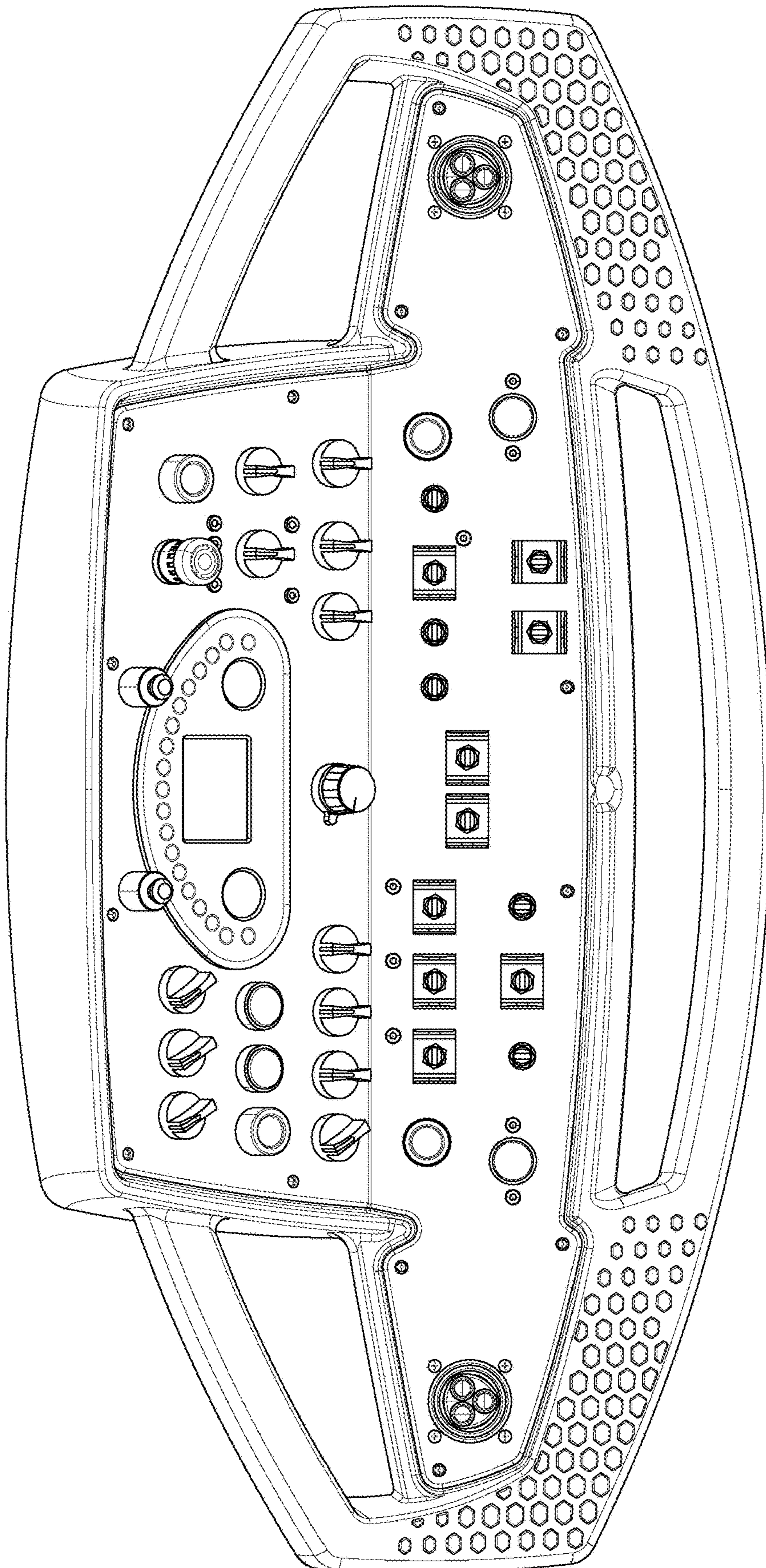


FIG. 9

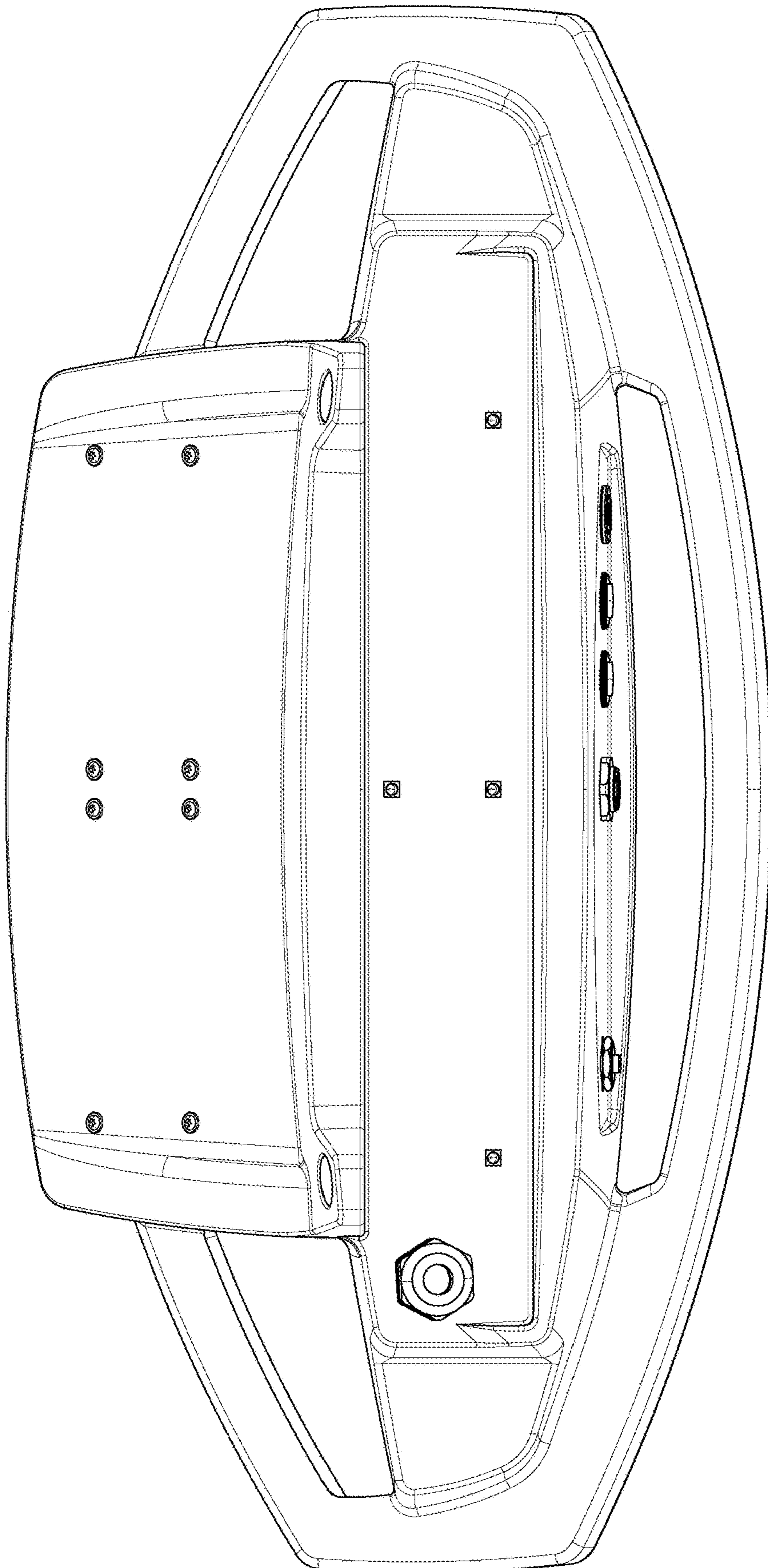


FIG. 10