



US00D895556S

(12) **United States Design Patent** (10) **Patent No.:** **US D895,556 S**
Byrne et al. (45) **Date of Patent:** **** Sep. 8, 2020**

(54) **LOW VOLTAGE OUTLET**

(71) Applicants: **Norman R. Byrne**, Ada, MI (US);
Timothy J. Warwick, Sparta, MI (US);
Joseph D. Ward, Grand Rapids, MI (US)

(72) Inventors: **Norman R. Byrne**, Ada, MI (US);
Timothy J. Warwick, Sparta, MI (US);
Joseph D. Ward, Grand Rapids, MI (US)

(**) Term: **15 Years**

(21) Appl. No.: **29/708,082**

(22) Filed: **Oct. 3, 2019**

Related U.S. Application Data

(62) Division of application No. 29/596,755, filed on Mar. 10, 2017, now Pat. No. Des. 862,389.

(51) **LOC (12) Cl.** **13-03**

(52) **U.S. Cl.**
USPC **D13/139.1**

(58) **Field of Classification Search**
USPC D13/137.1–137.4, 138.1, 138.2,
D13/139.1–139.3, 156, 145, 147, 184,
D13/103, 133

(Continued)

(56) **References Cited**

U.S. PATENT DOCUMENTS

D210,377 S 3/1968 Lopez-Fabrega et al.
6,220,880 B1 4/2001 Lee et al.

(Continued)

FOREIGN PATENT DOCUMENTS

CN 201213213 Y 3/2009
CN 202058958 11/2011

(Continued)

Primary Examiner — Jennifer Rivard
Assistant Examiner — Alison M Ofstun

(74) *Attorney, Agent, or Firm* — Gardner, Linn, Burkhart & Ondersma LLP

(57) **CLAIM**

The ornamental design for a low voltage outlet, as shown and described.

DESCRIPTION

FIG. 1 is a front perspective view of a first embodiment of a low voltage outlet showing our new design, viewed from below and to the right;

FIG. 2 is another front perspective view thereof, viewed from below and to the left;

FIG. 3 is a rear perspective view thereof, viewed from above and to the right;

FIG. 4 is another rear perspective view thereof, viewed from below and to the right;

FIG. 5 is a front elevation thereof;

FIG. 6 is a rear elevation thereof;

FIG. 7 is a top plan view thereof;

FIG. 8 is a bottom plan view thereof;

FIG. 9 is a right side elevation thereof;

FIG. 10 is a left side elevation thereof;

FIG. 11 is a front perspective view of a second embodiment of a low voltage outlet showing our new design, viewed from below and to the right;

FIG. 12 is another front perspective view thereof, viewed from below and to the left;

FIG. 13 is a rear perspective view thereof, viewed from above and to the right;

FIG. 14 is another rear perspective view thereof, viewed from below and to the right;

FIG. 15 is a front elevation thereof;

FIG. 16 is a rear elevation thereof;

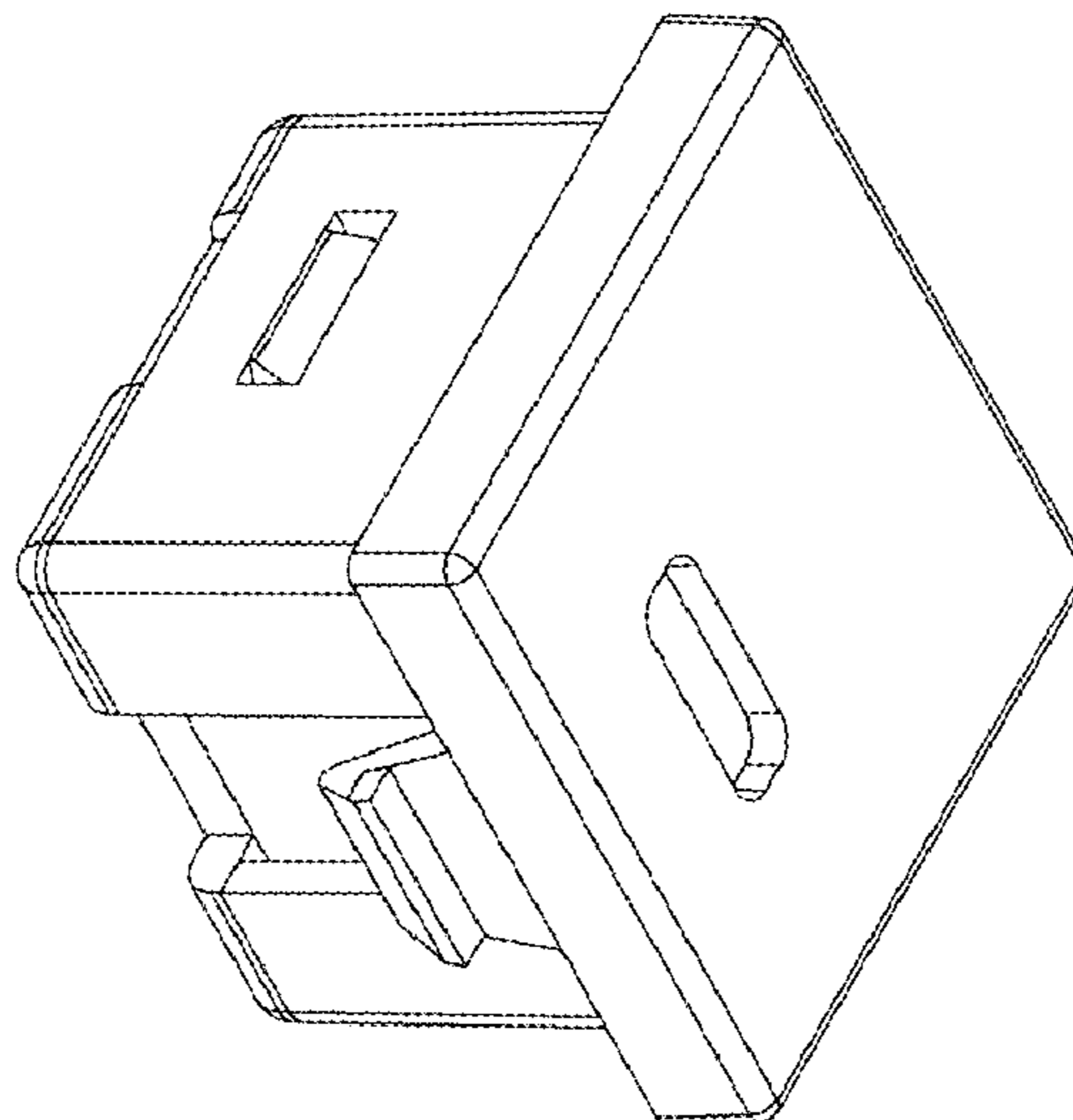
FIG. 17 is a top plan view thereof;

FIG. 18 is a bottom plan view thereof;

FIG. 19 is a right side elevation thereof; and,

FIG. 20 is a left side elevation thereof.

1 Claim, 4 Drawing Sheets



(58) **Field of Classification Search**
 CPC .. H02G 15/18; H02G 15/1826; H01R 13/516;
 H01R 13/518; H01R 13/52; H01R 13/46;
 H01R 13/50; H01R 13/506; H01R
 13/5213; H01R 25/006; H02J 7/025;
 H02J 7/0042; H02J 7/0044; H02J 7/0045;
 H02J 7/0003; H01H 21/00; H01H 21/04;
 H01H 23/00; H01H 71/02
 See application file for complete search history.

(56) **References Cited**

U.S. PATENT DOCUMENTS

7,182,633 B2 2/2007 Byrne
 D573,952 S 7/2008 Schwartz
 7,556,511 B1 7/2009 Hsu et al.
 7,559,795 B2 7/2009 Byrne
 7,677,512 B1 3/2010 Ford et al.
 D642,529 S 8/2011 Su et al.
 D667,794 S 9/2012 Junko et al.
 D686,579 S * 7/2013 Fujioka D13/133
 8,491,343 B2 7/2013 Wang et al.
 D698,314 S * 1/2014 Byrne D13/139.3
 8,758,031 B2 6/2014 Cheng et al.
 8,794,997 B2 8/2014 Tin
 9,246,317 B2 * 1/2016 Byrne H02G 3/105

9,247,657 B2 1/2016 Row et al.
 9,252,610 B2 * 2/2016 Chen H02J 7/0042
 9,312,673 B2 4/2016 Byrne et al.
 D762,176 S * 7/2016 Byrne D13/139.1
 9,509,083 B2 11/2016 Yang
 9,553,407 B2 1/2017 McDowall
 9,837,753 B1 12/2017 Chen
 9,843,146 B1 * 12/2017 Chen H01R 13/514
 9,853,405 B2 12/2017 Suri
 D807,297 S * 1/2018 Byrne D13/139.1
 D807,827 S 1/2018 Lu
 9,991,633 B2 6/2018 Robinet
 10,175,996 B2 1/2019 Byrne et al.
 D862,389 S * 10/2019 Byrne D13/139.1
 2011/0104945 A1 5/2011 Gao et al.
 2013/0109213 A1 5/2013 Chang
 2013/0200841 A1 8/2013 Farkas et al.
 2013/0244475 A1 9/2013 Sayadi et al.
 2013/0267116 A1 * 10/2013 Tin H02J 1/00
 439/535
 2017/0338591 A1 * 11/2017 Robinet H01R 13/6275
 2019/0138461 A1 * 5/2019 Byrne G06F 13/102

FOREIGN PATENT DOCUMENTS

CN 101662093 2/2012
 WO WO-0213333 A2 * 2/2002 G02B 6/4292

* cited by examiner

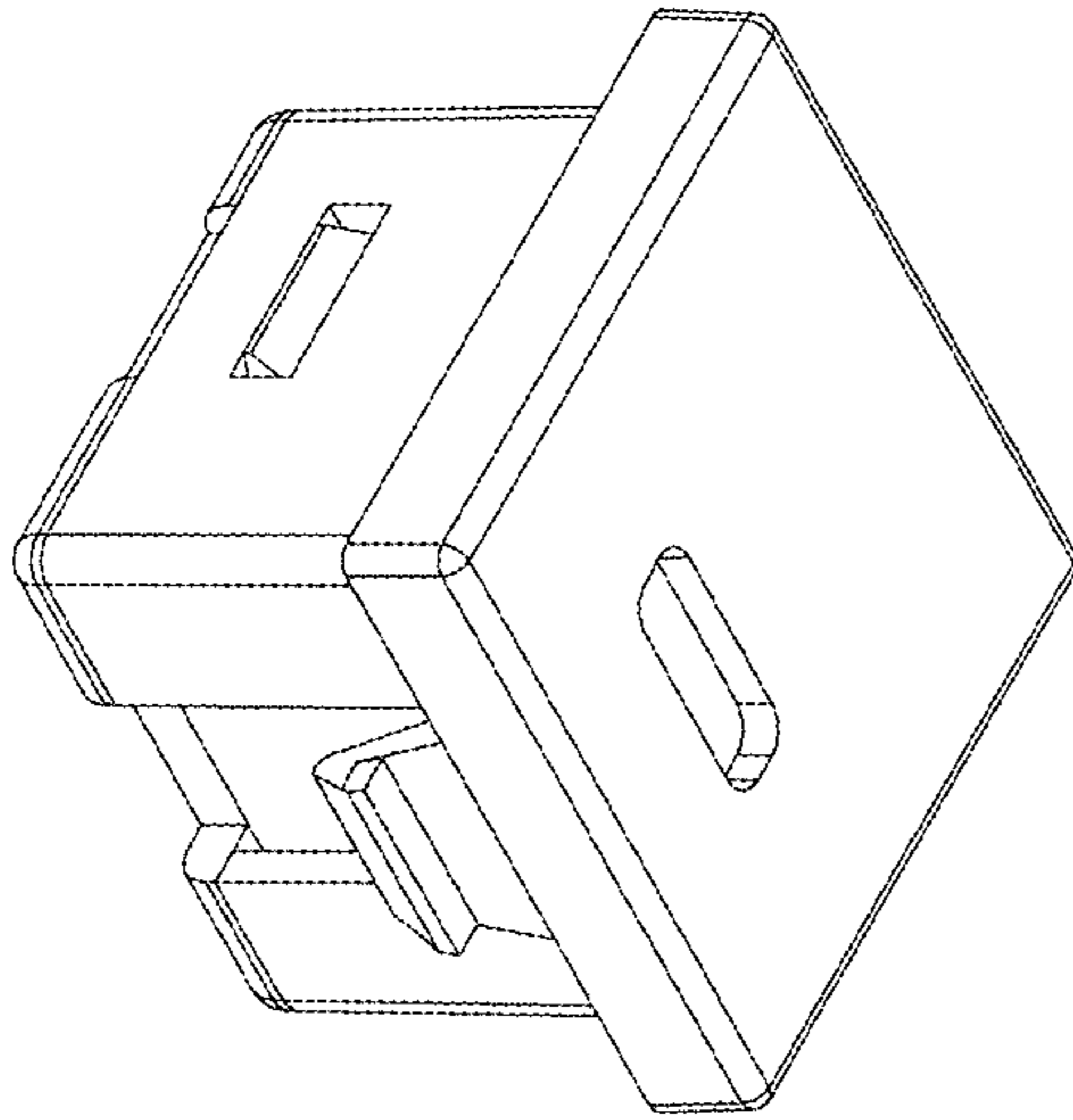


Fig. 1

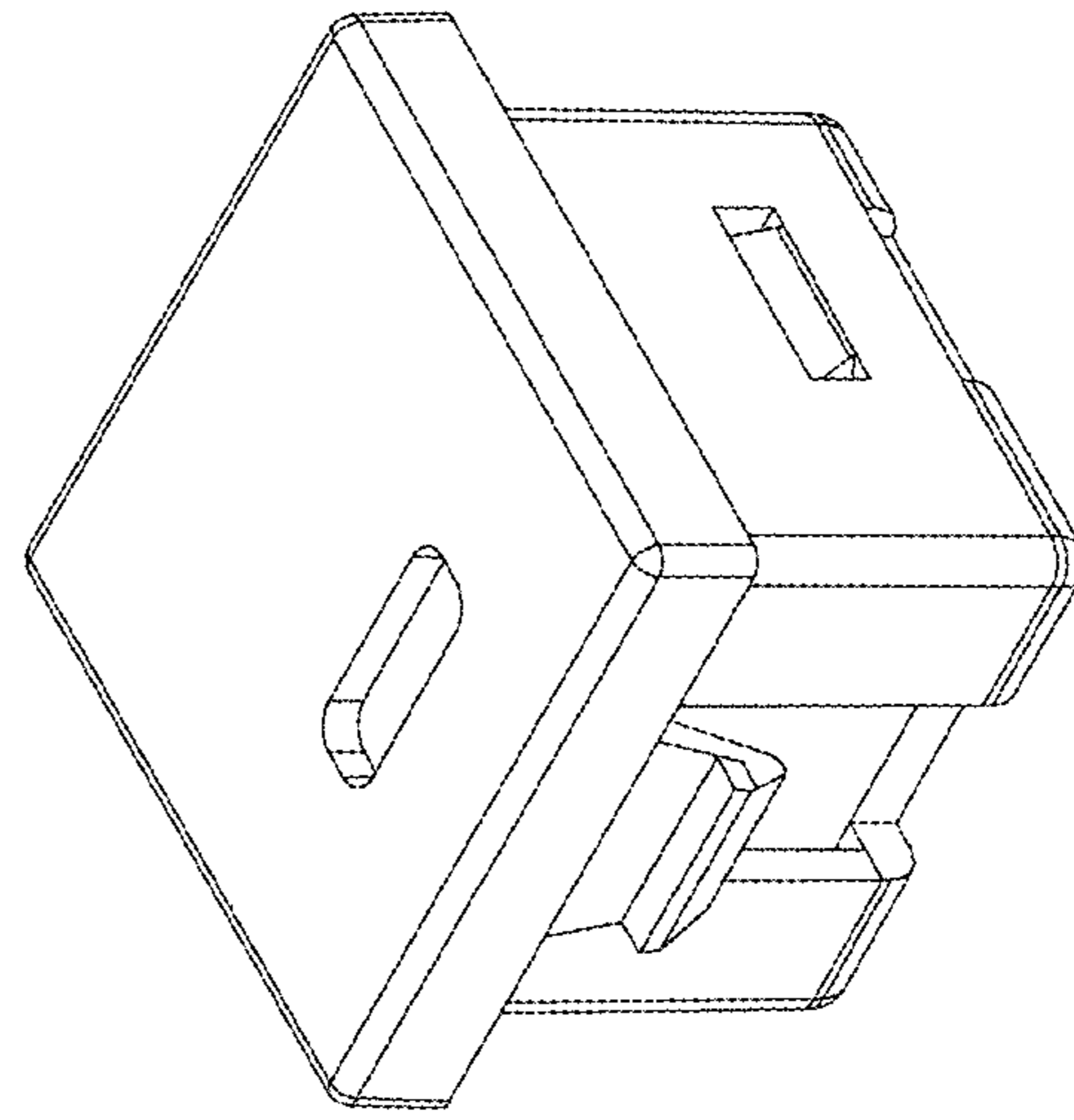


Fig. 2

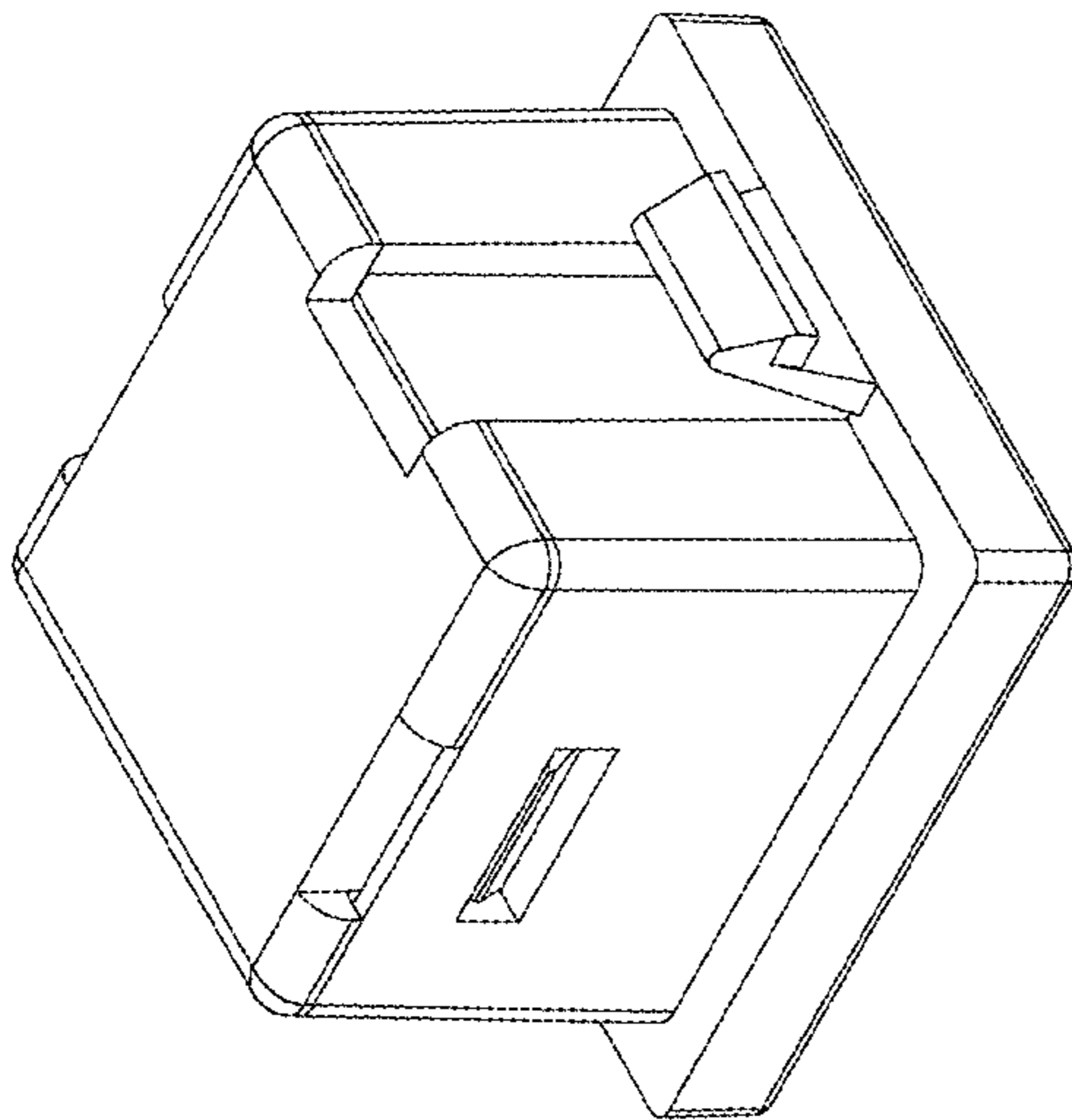


Fig. 3

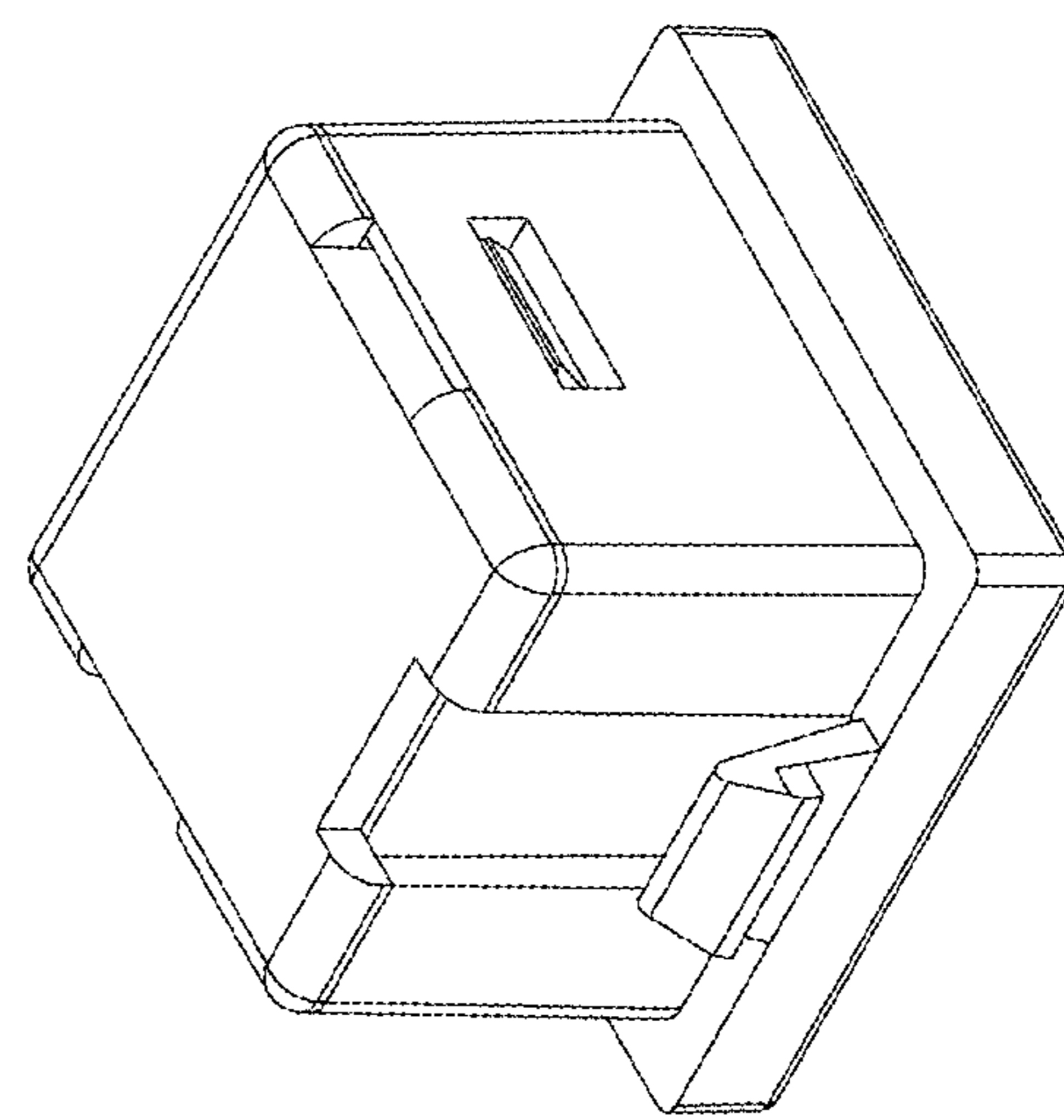


Fig. 4

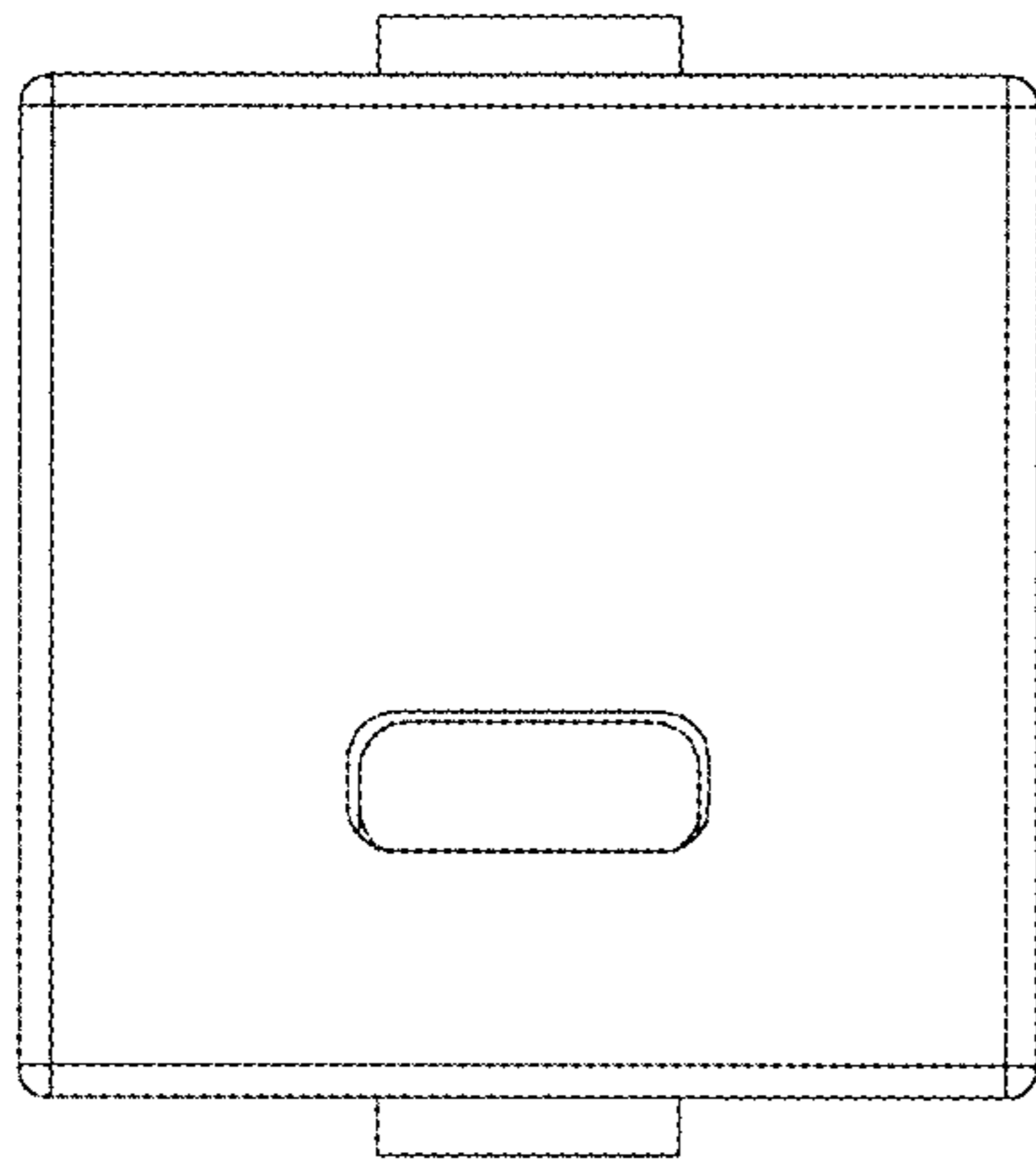


Fig. 5

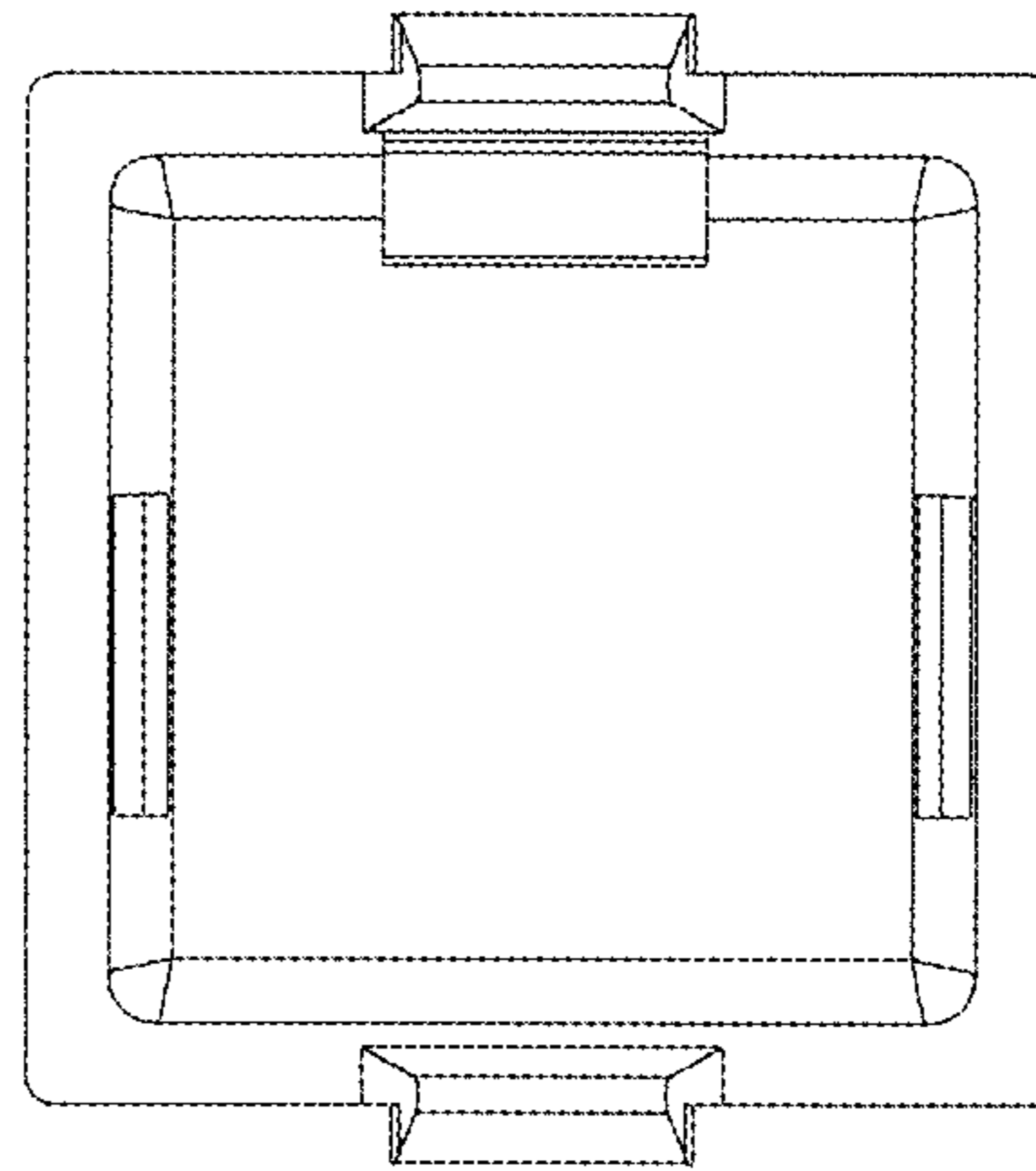


Fig. 6

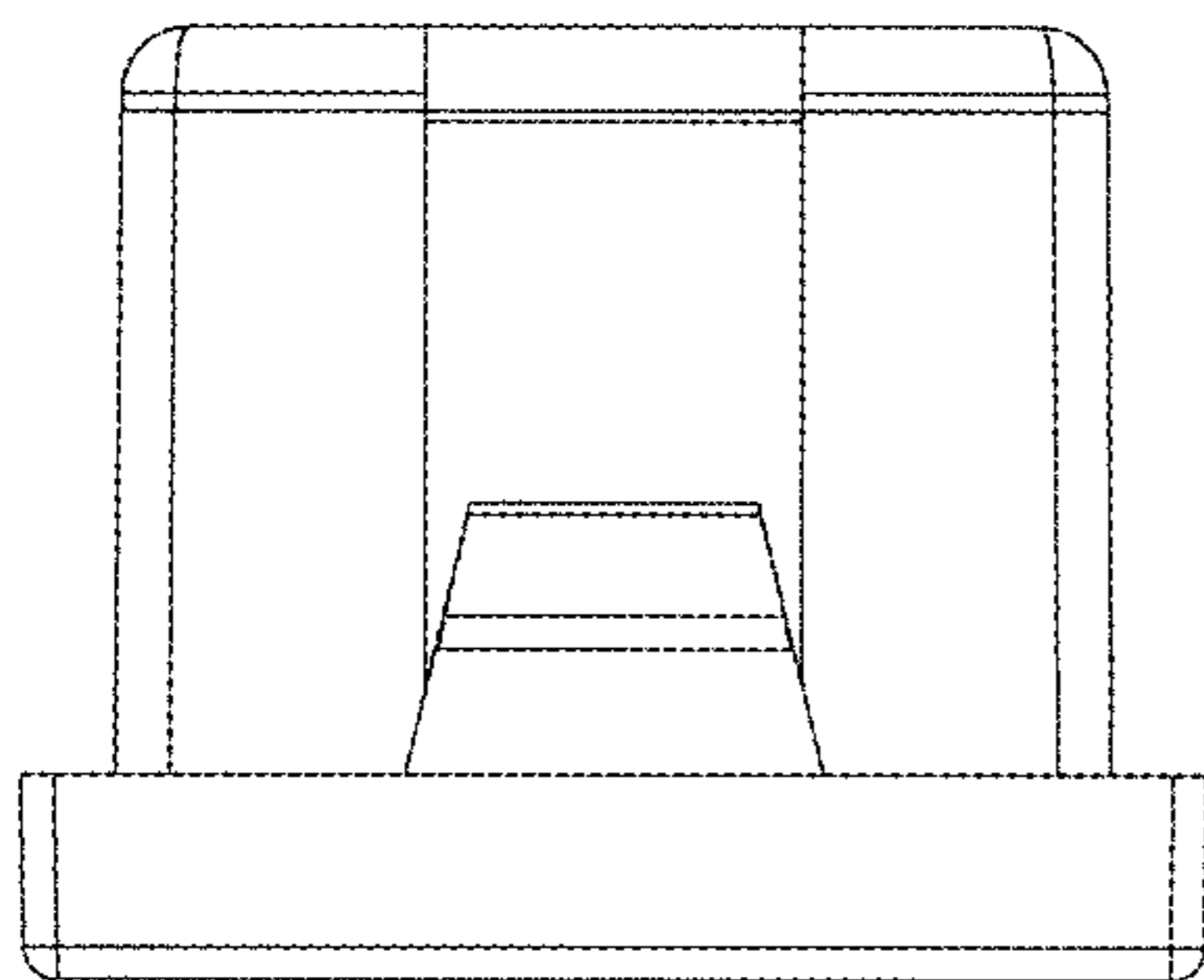


Fig. 7

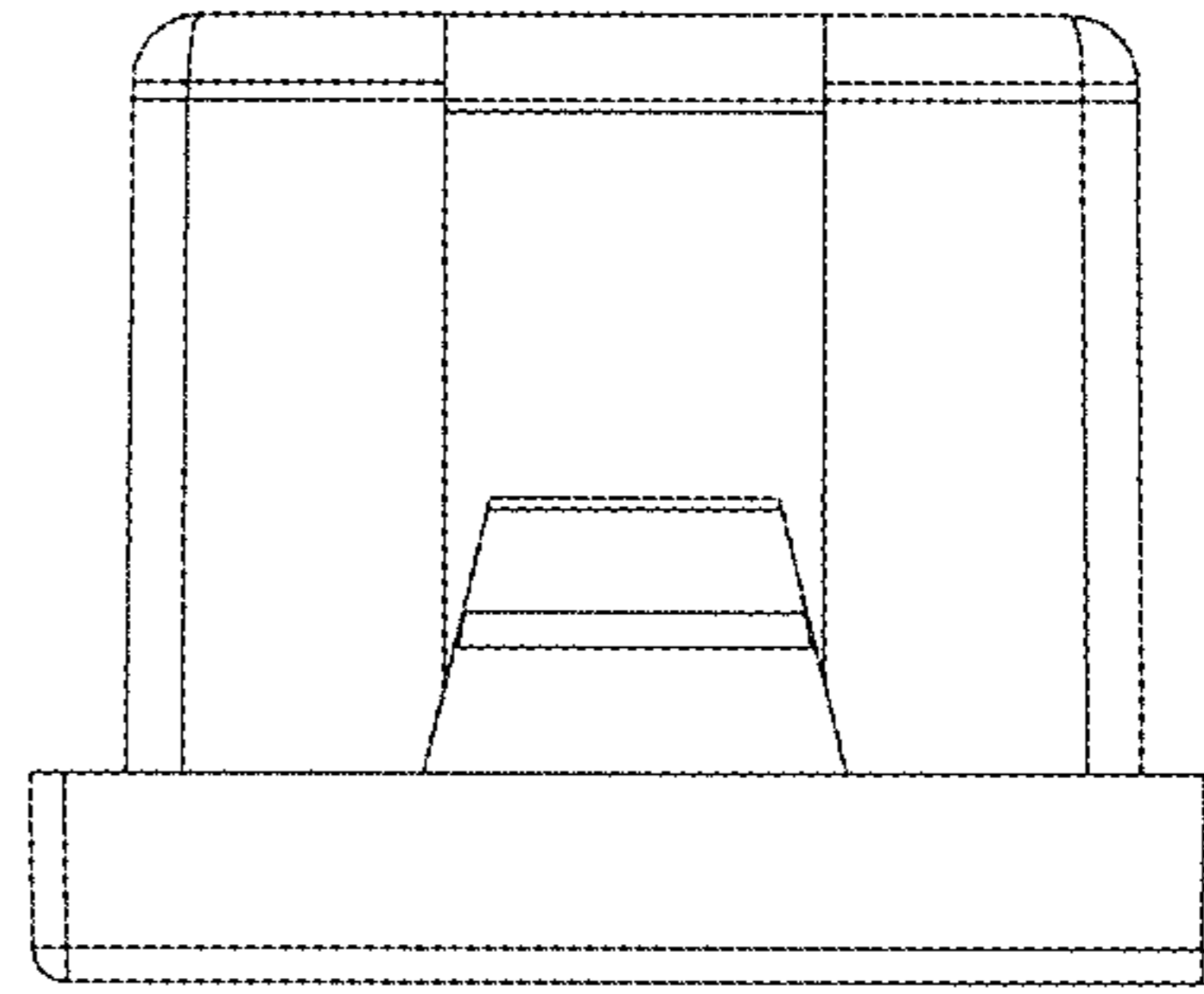


Fig. 8

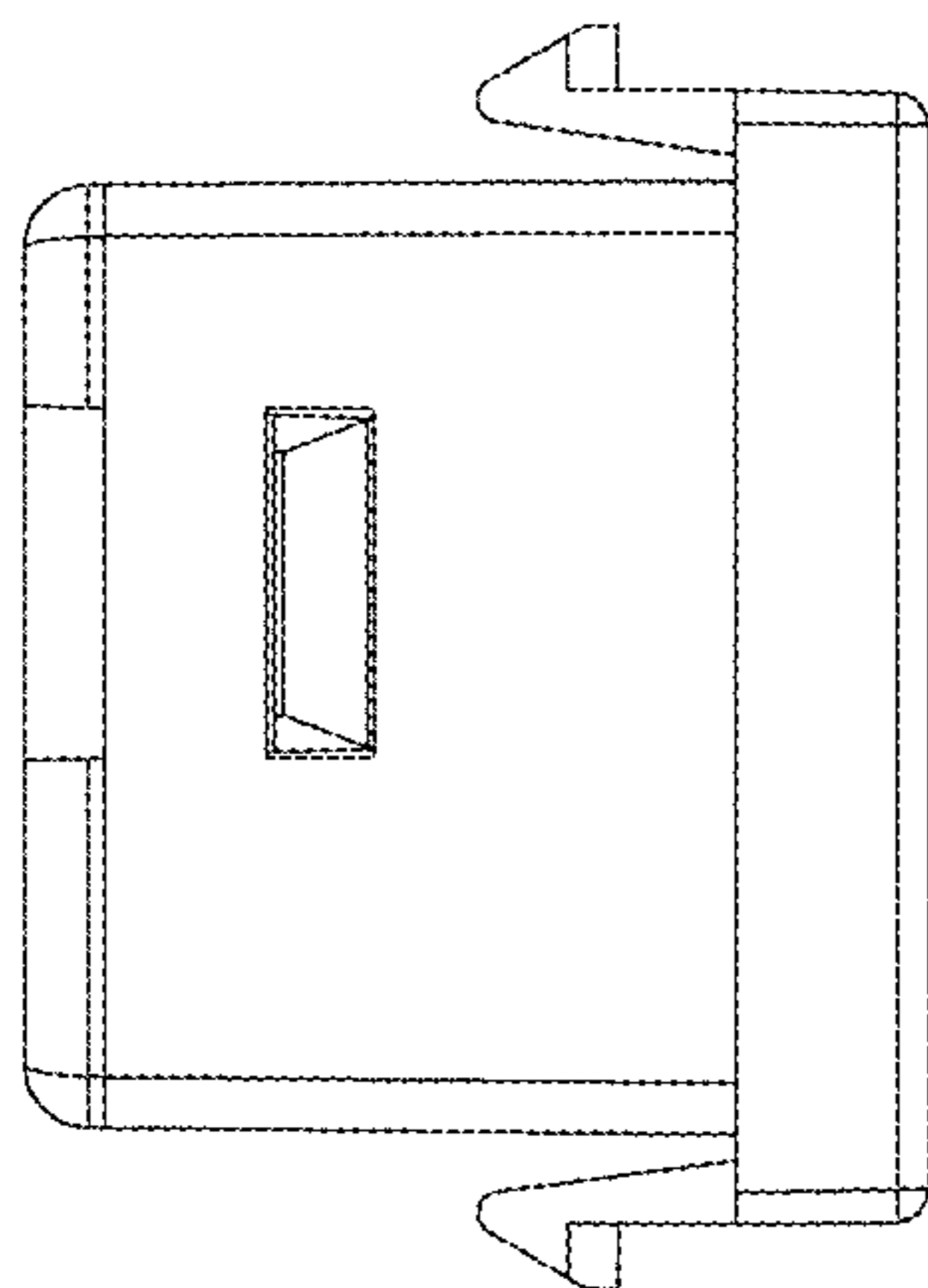


Fig. 9

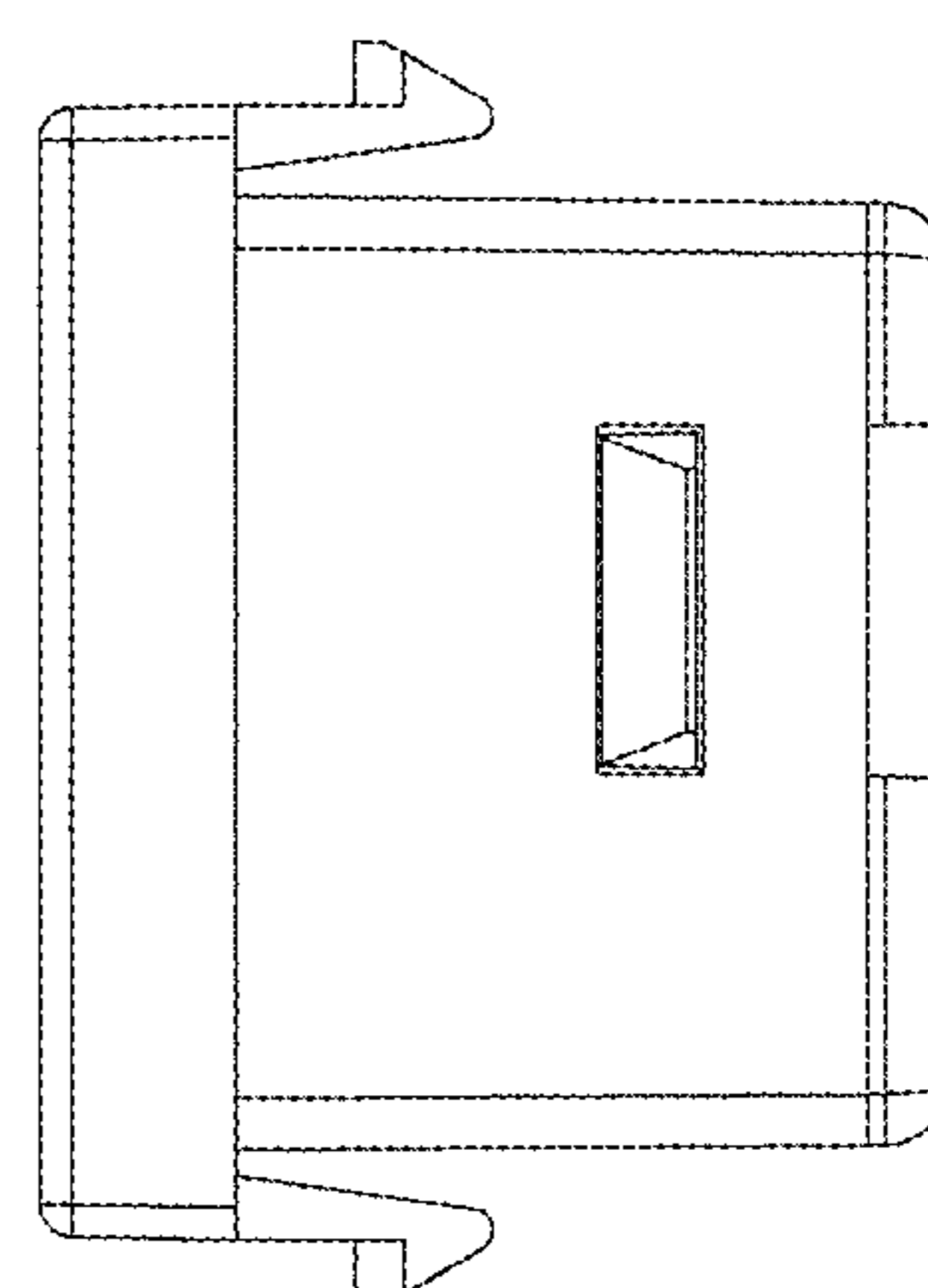


Fig. 10

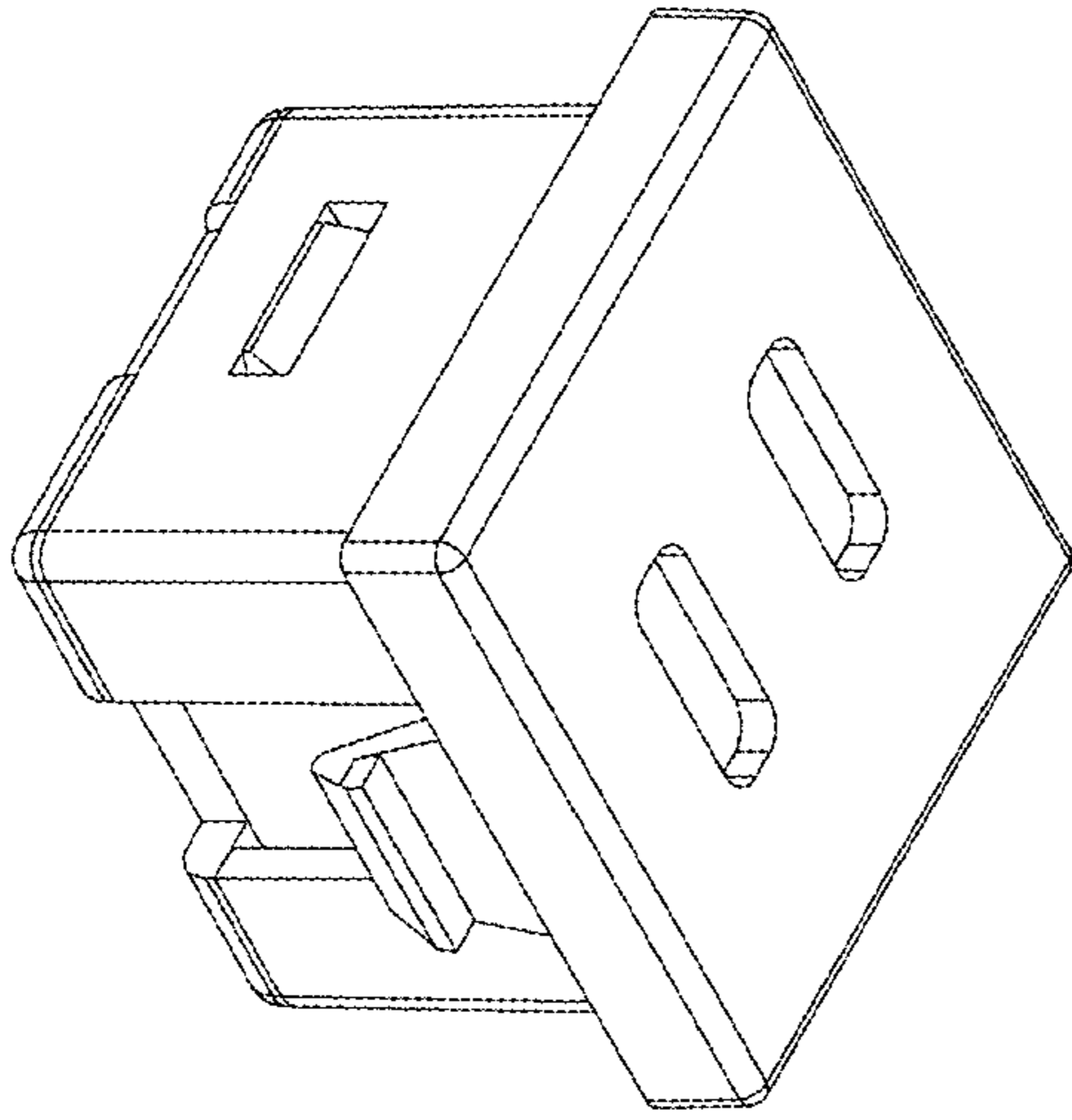


Fig. 11

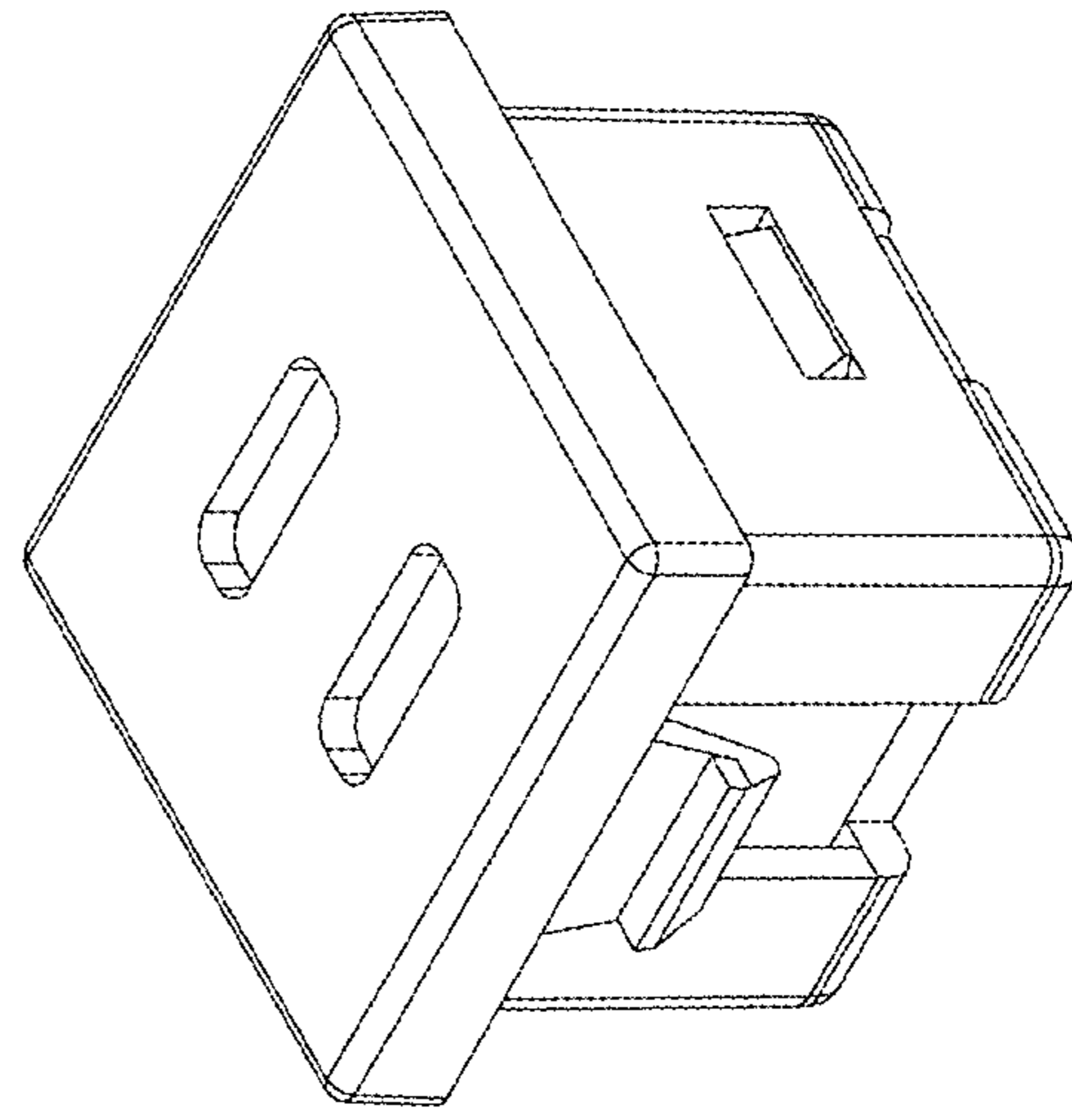


Fig. 12

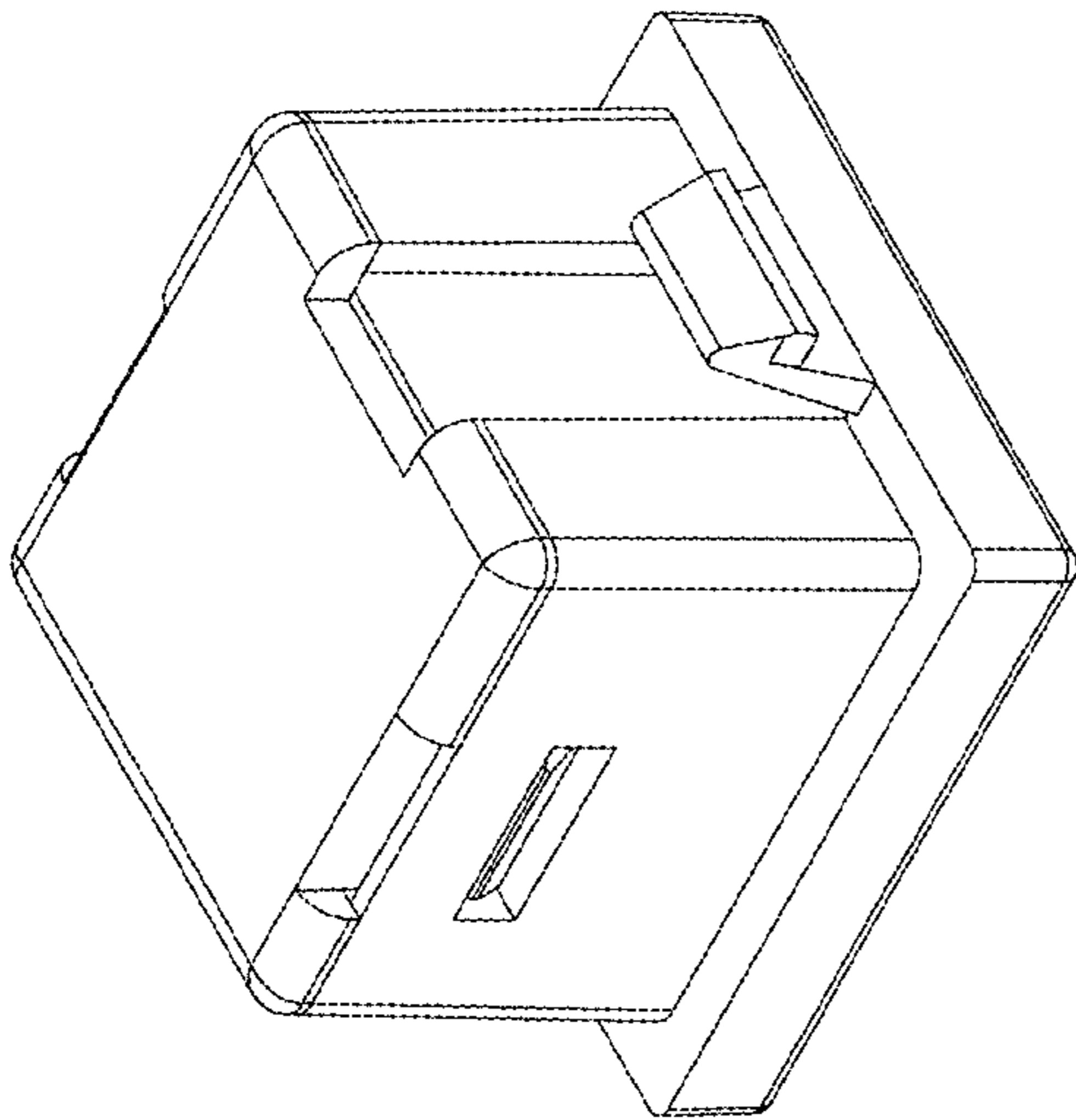


Fig. 13

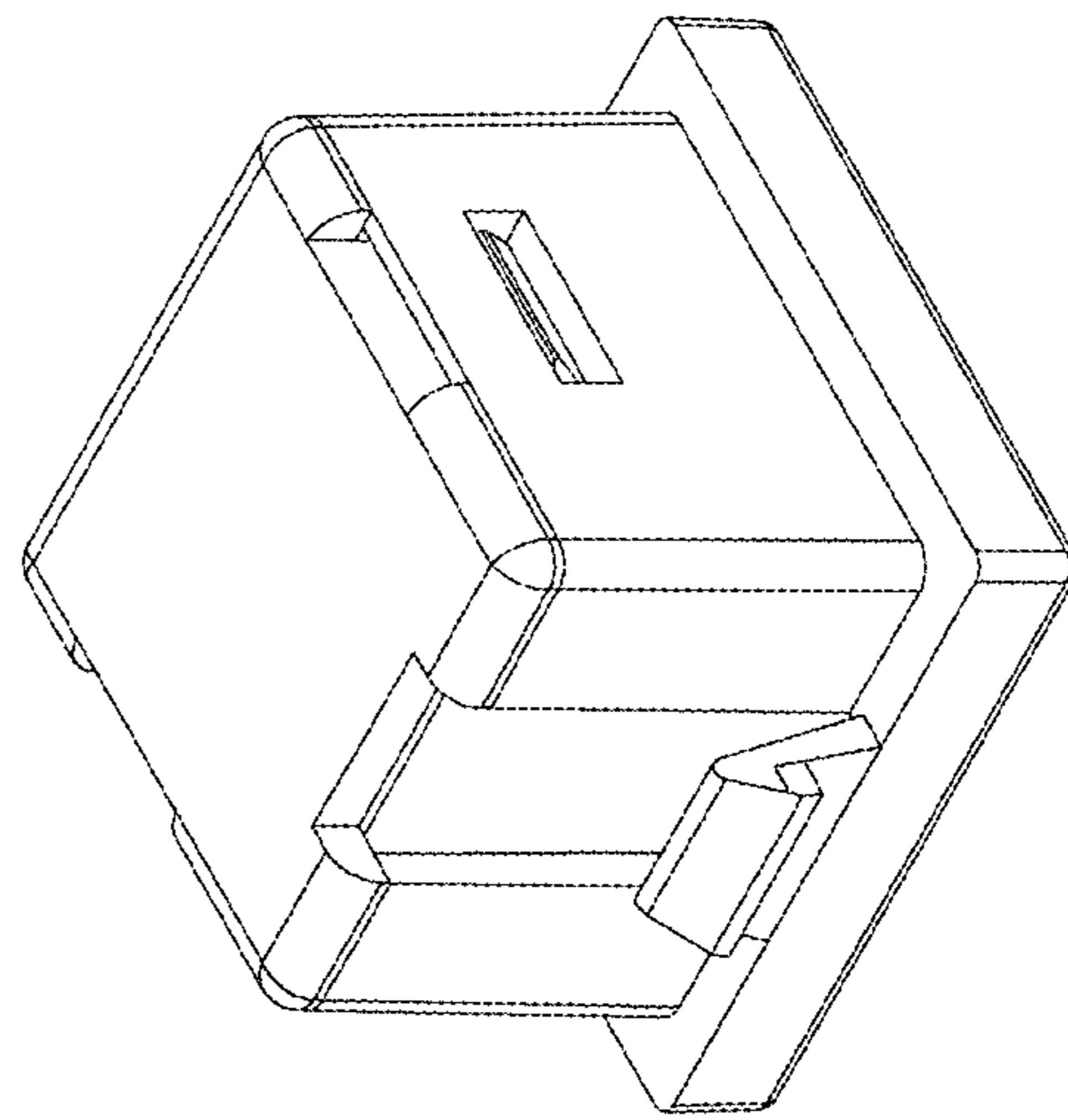


Fig. 14

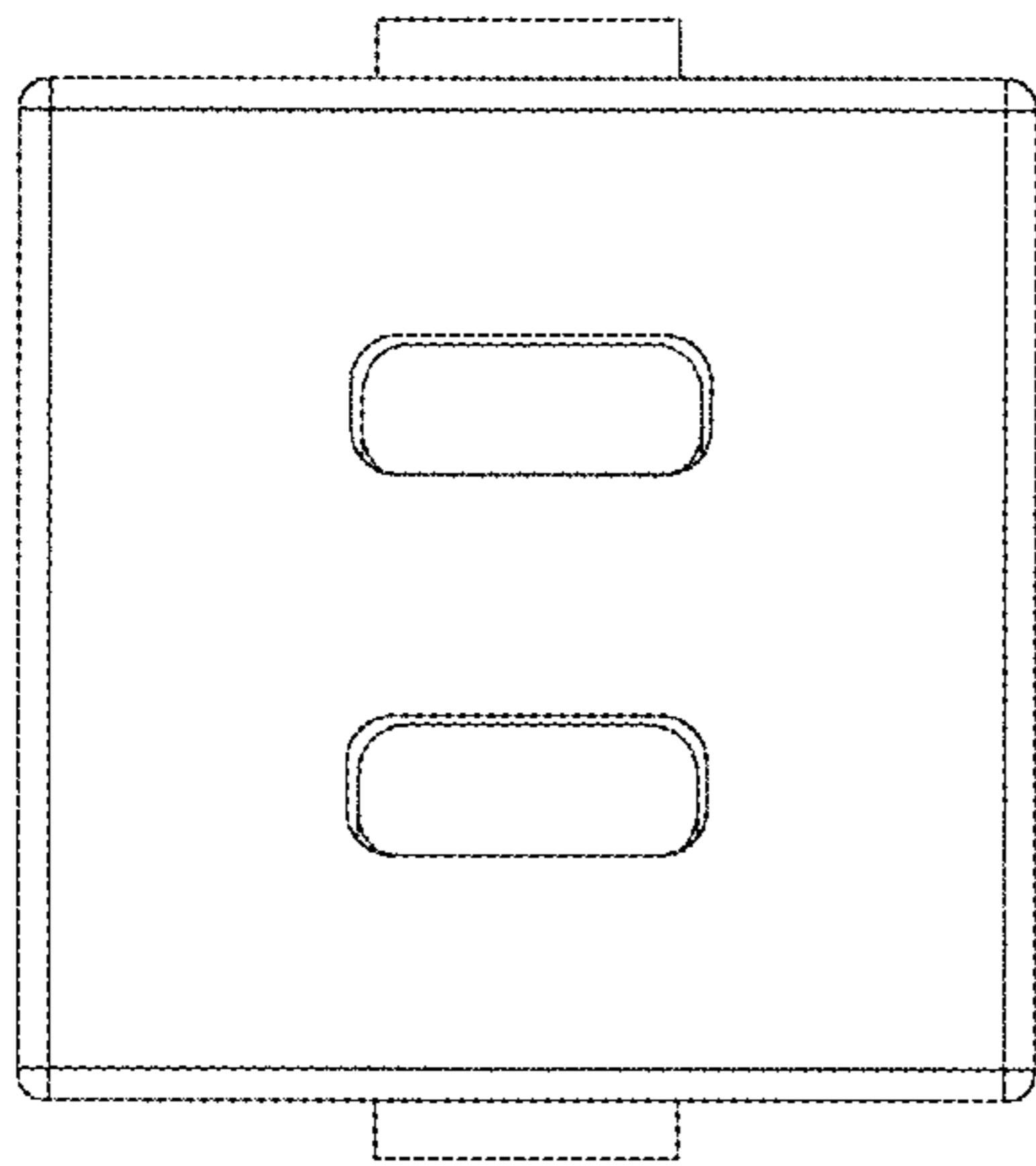


Fig. 15

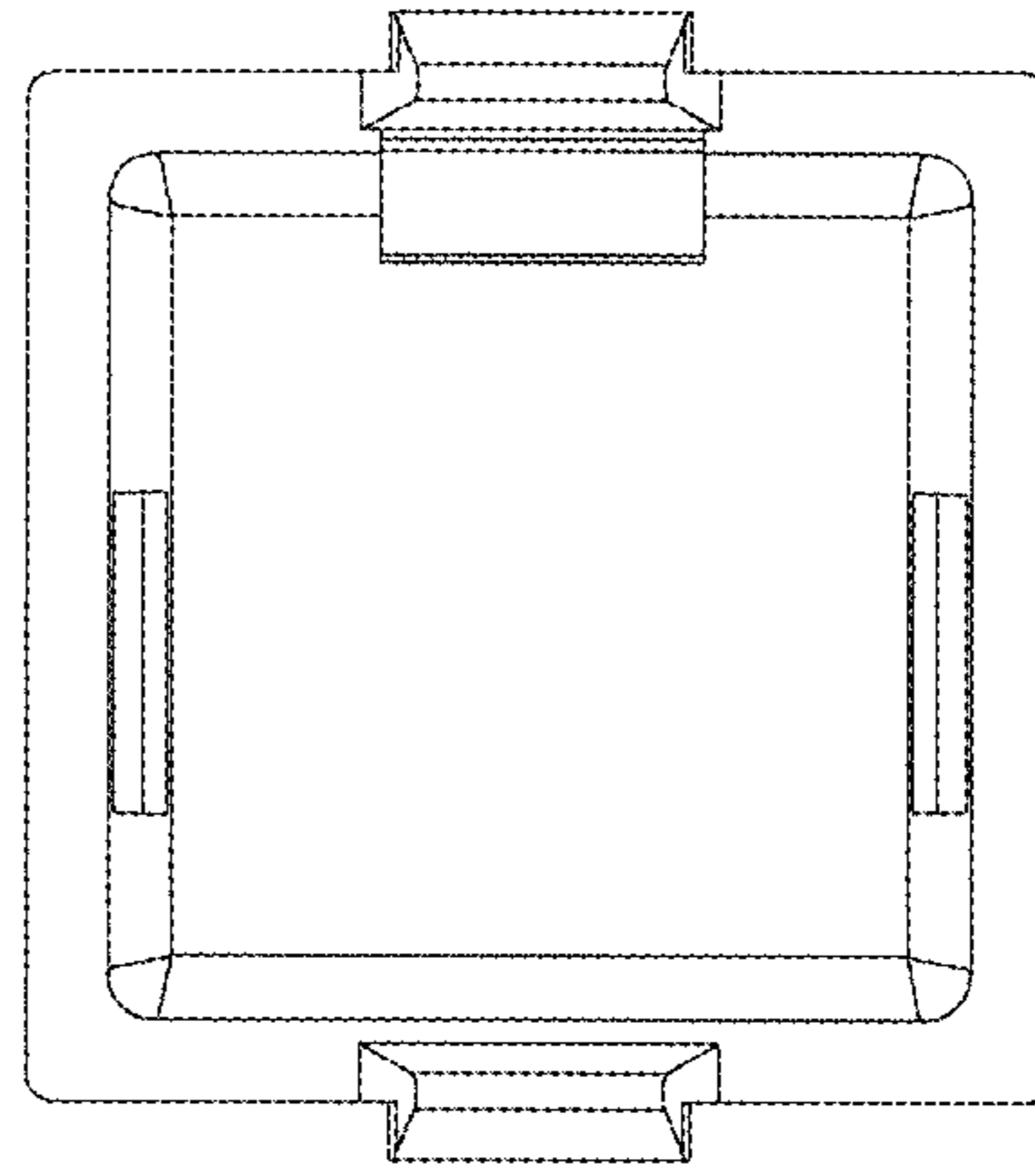


Fig. 16

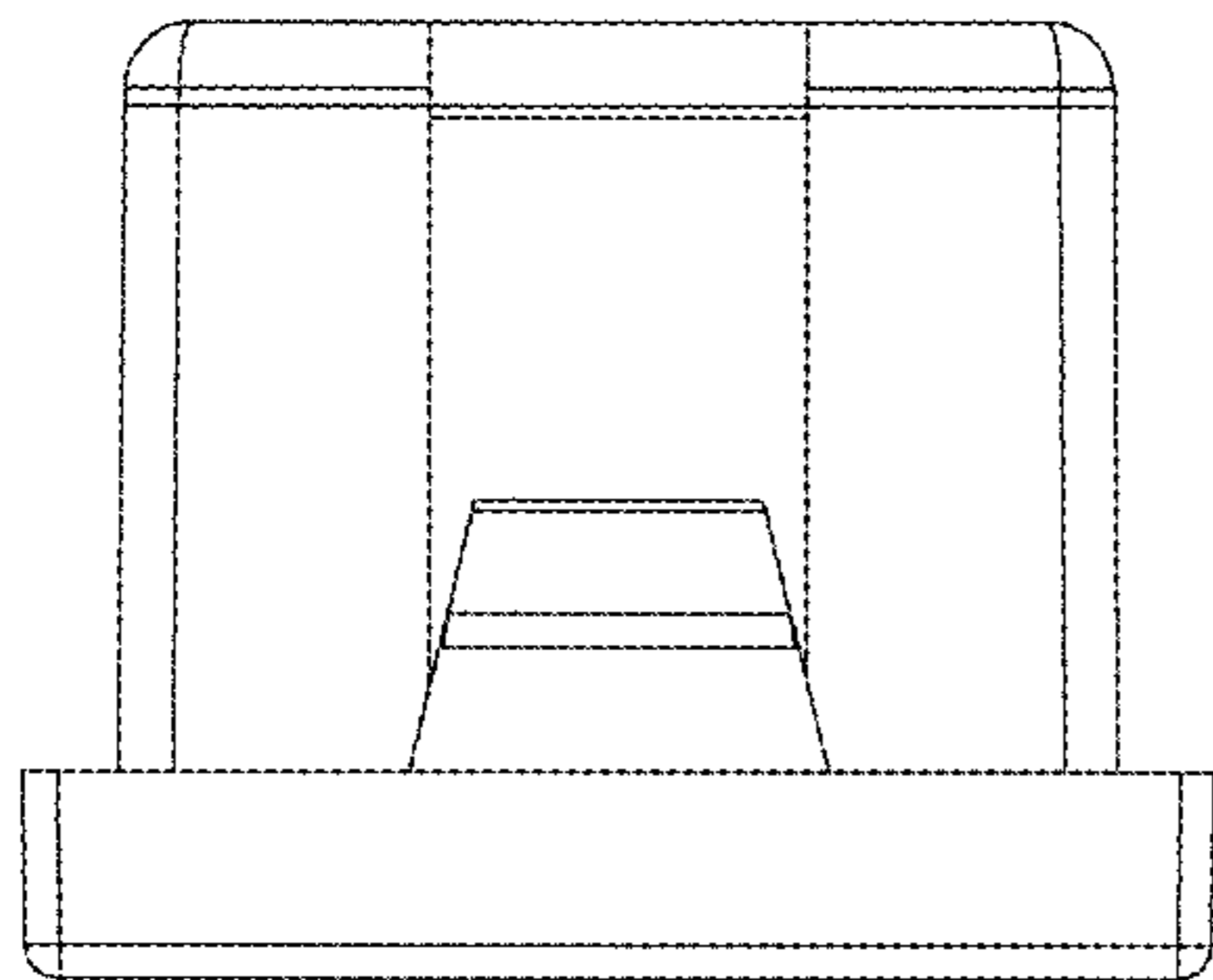


Fig. 17

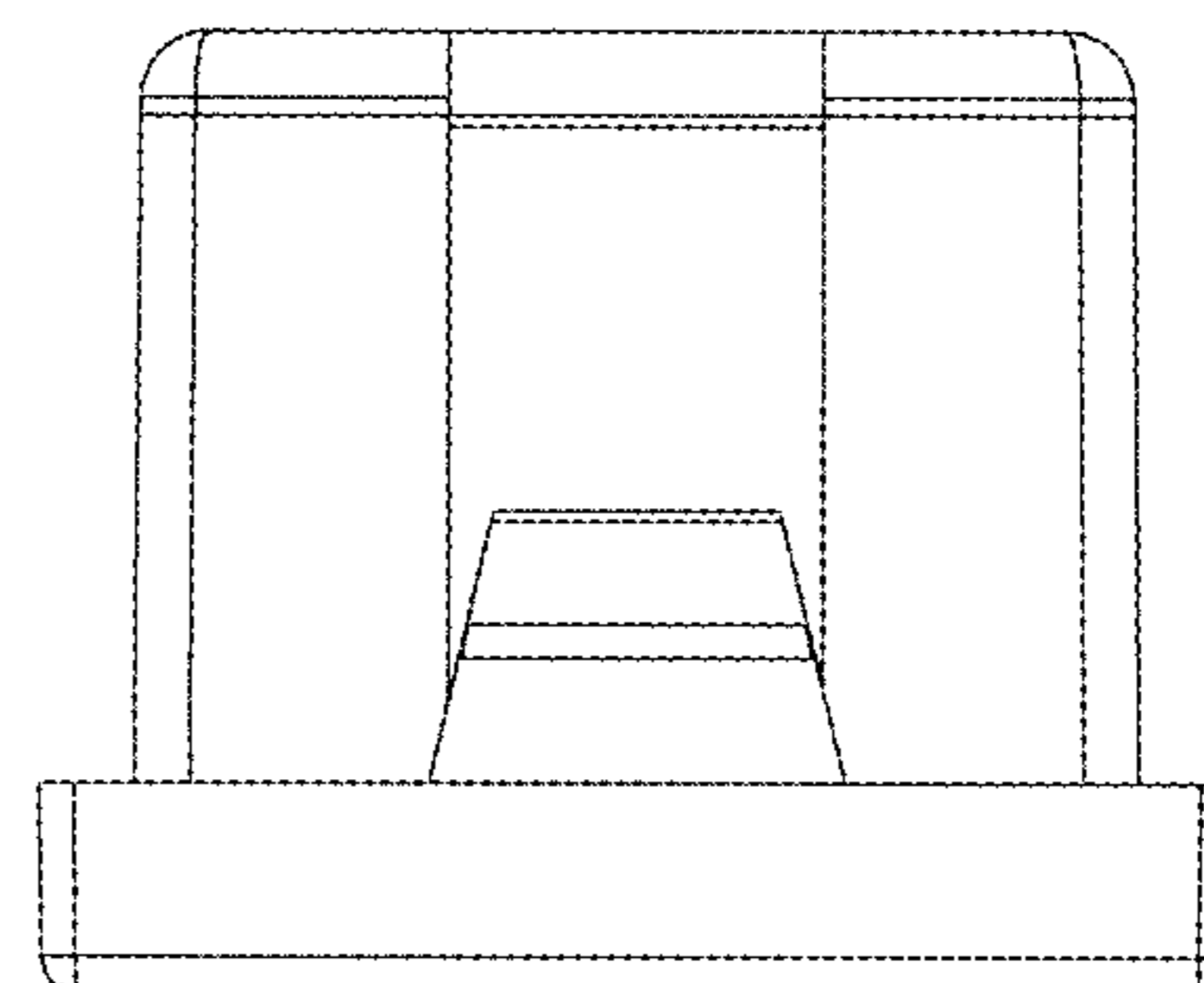


Fig. 18

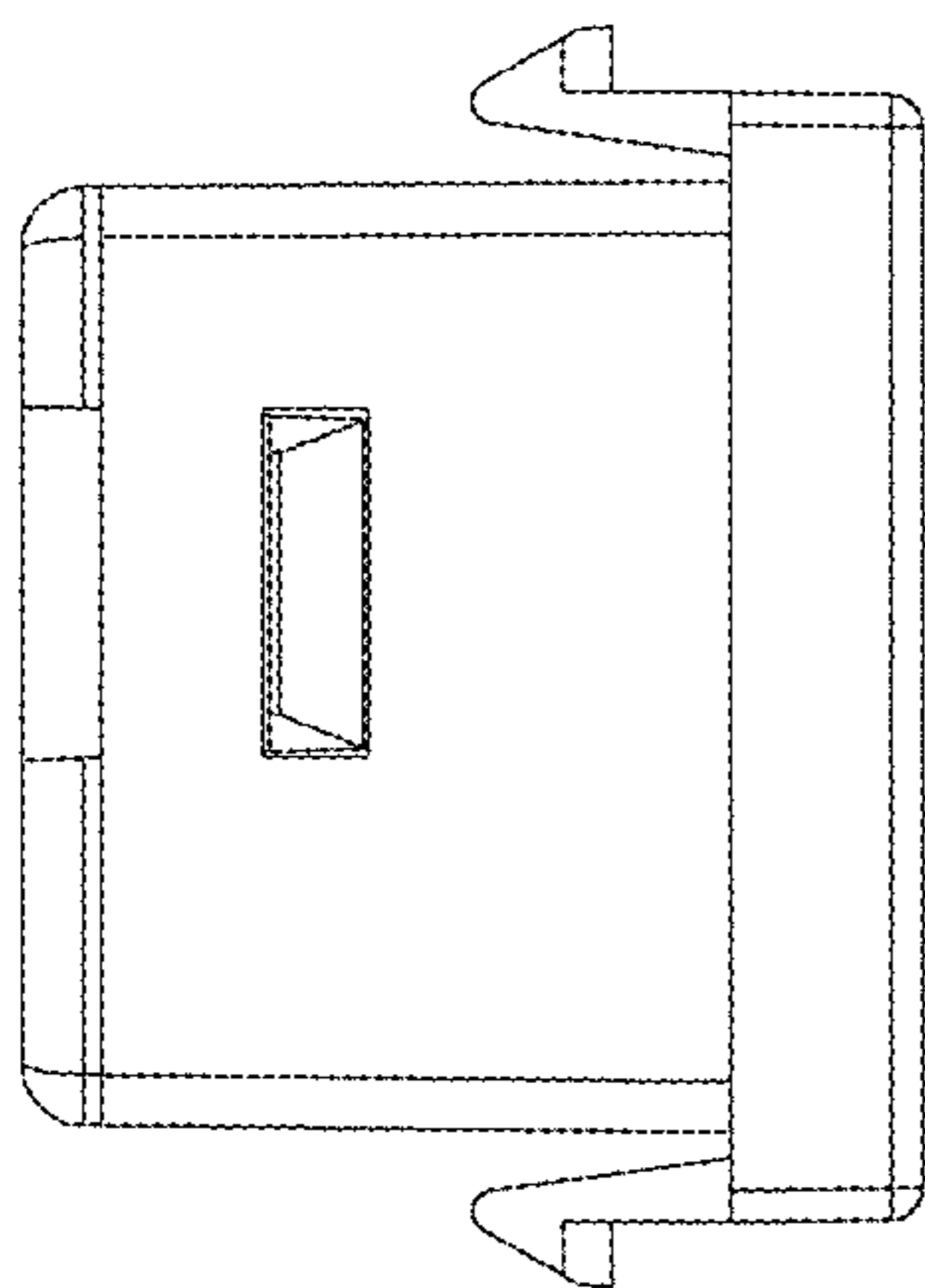


Fig. 19

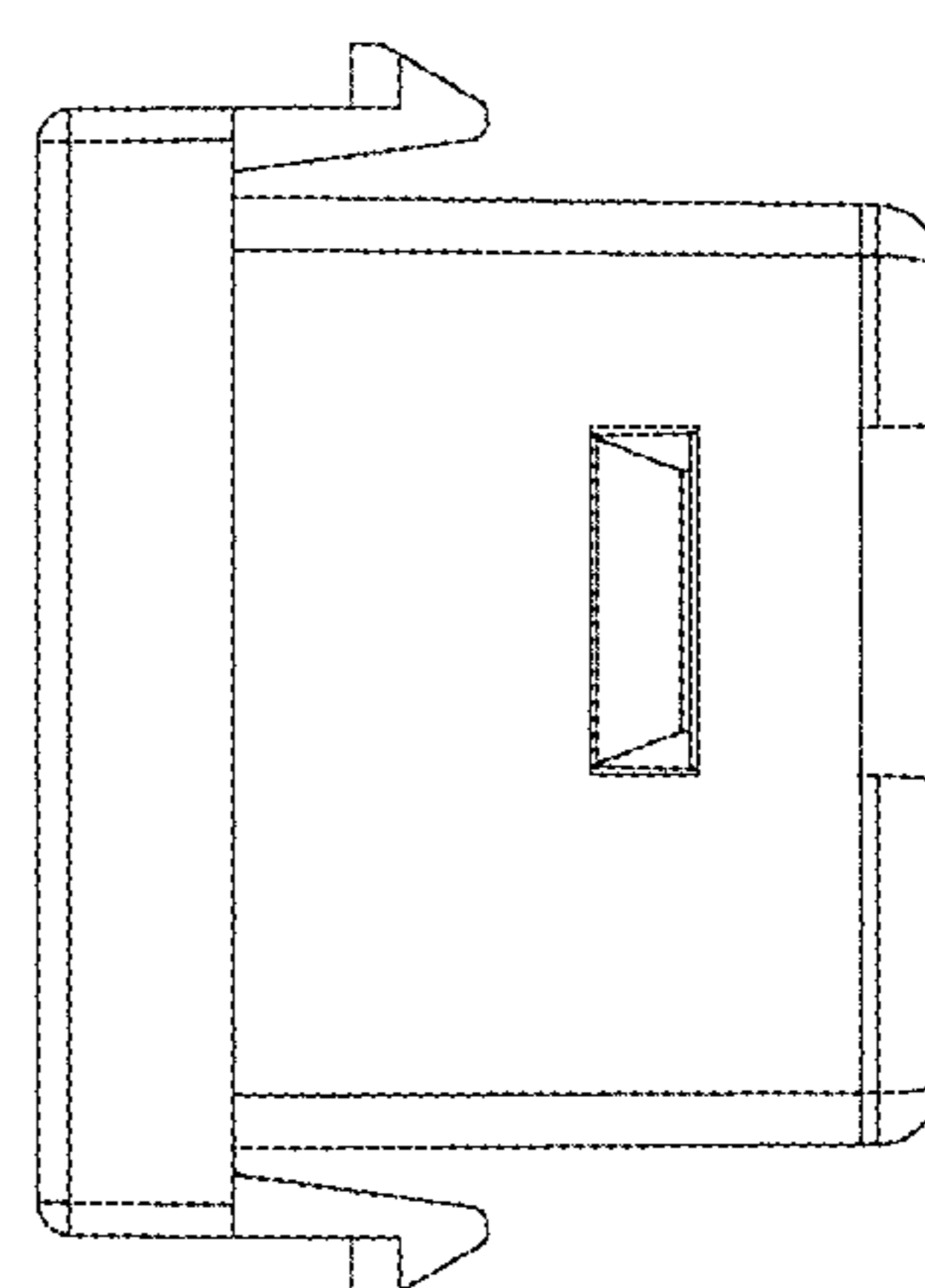


Fig. 20