



US00D895555S

(12) **United States Design Patent** (10) **Patent No.:** **US D895,555 S**  
**Hasan** (45) **Date of Patent:** **\*\* Sep. 8, 2020**

(54) **ELECTRIC SOCKET ADAPTER**

FOREIGN PATENT DOCUMENTS

(71) Applicant: **Cable Gear Holdings**, Katy, TX (US)

EM 003400761 4/2017

(72) Inventor: **Faruq Hasan**, Ottawa (CA)

\* cited by examiner

(73) Assignee: **Cable Gear Holdings**, Katy, TX (US)

*Primary Examiner* — Rhea Shields

(\*\*) Term: **15 Years**

(74) *Attorney, Agent, or Firm* — Barnes & Thornburg LLP

(21) Appl. No.: **29/671,972**

(57) **CLAIM**

(22) Filed: **Nov. 30, 2018**

I claim the ornamental design for an electric socket adapter, as shown and described.

(51) **LOC (12) Cl.** ..... **13-03**

(52) **U.S. Cl.**

USPC ..... **D13/137.2**

**DESCRIPTION**

(58) **Field of Classification Search**

USPC ..... D13/137.1–137.3, 138.2, 139.1, 110  
CPC ..... H01R 31/06; H01R 24/78  
See application file for complete search history.

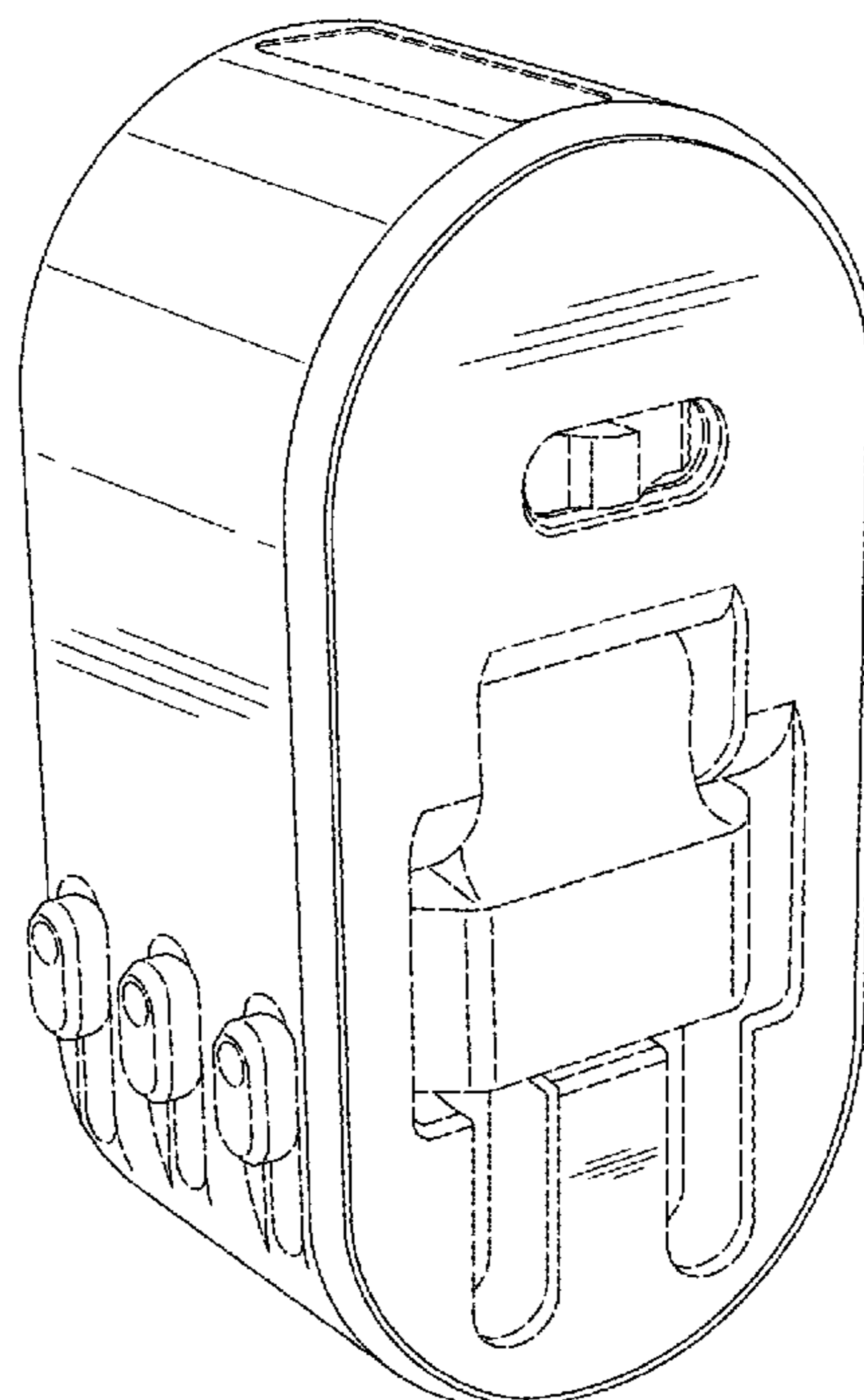
FIG. 1 is a front perspective view of the electric socket adapter design;  
FIG. 2 is a front elevational view of the electric socket adapter design;  
FIG. 3 is a rear elevational view of the electric socket adapter design;  
FIG. 4 is a top plan view of the electric socket adapter design;  
FIG. 5 is a bottom plan view of the electric socket adapter design;  
FIG. 6 is a right-side elevation view of the electric socket adapter design;  
FIG. 7 is a left-side elevation view of the electric socket adapter design; and,  
FIG. 8 is a rear perspective view of the electric socket adapter design.  
In the drawings, the broken lines are for the purpose of illustrating portions of the electric socket adapter that forms no part of the claimed design.

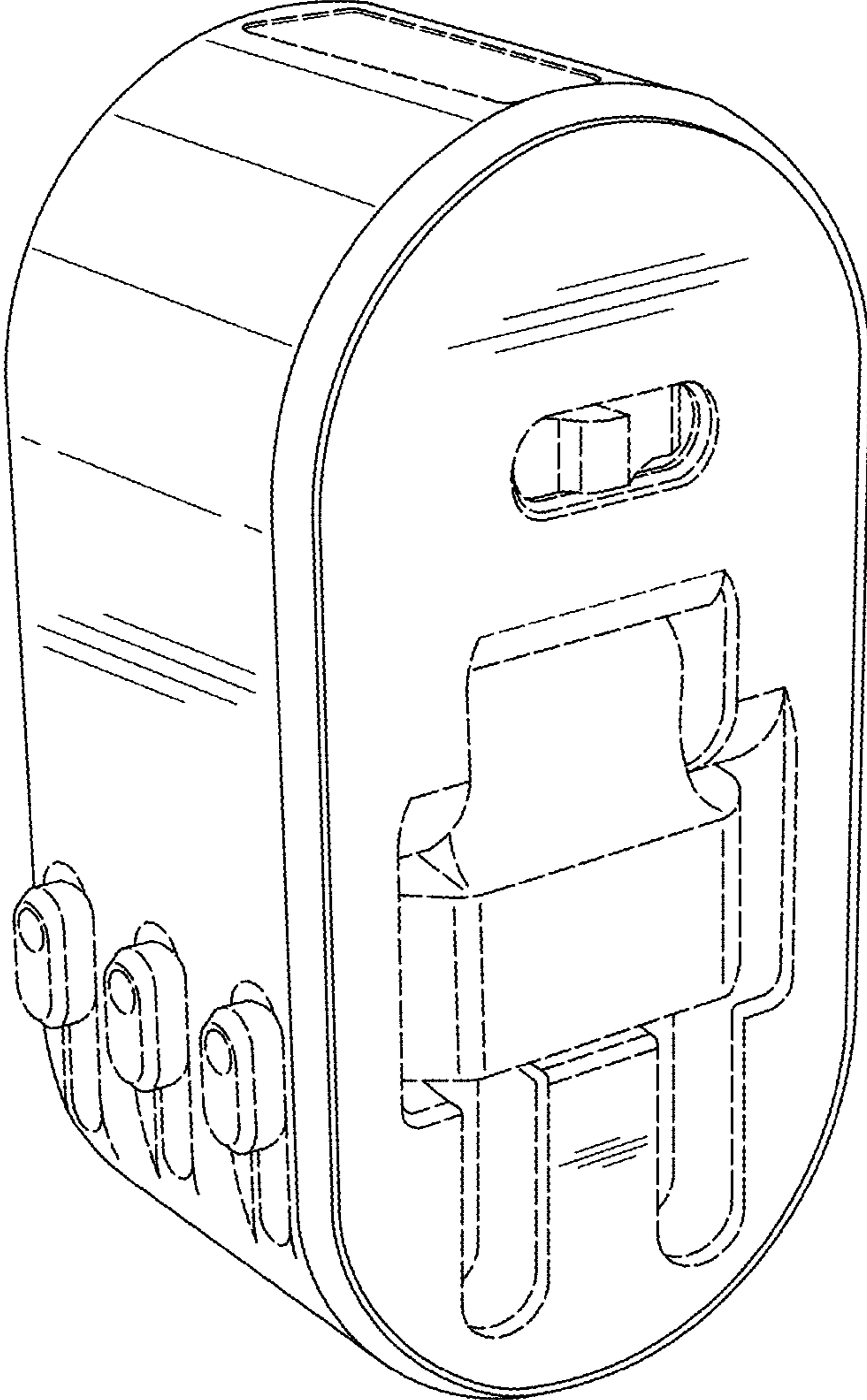
(56) **References Cited**

U.S. PATENT DOCUMENTS

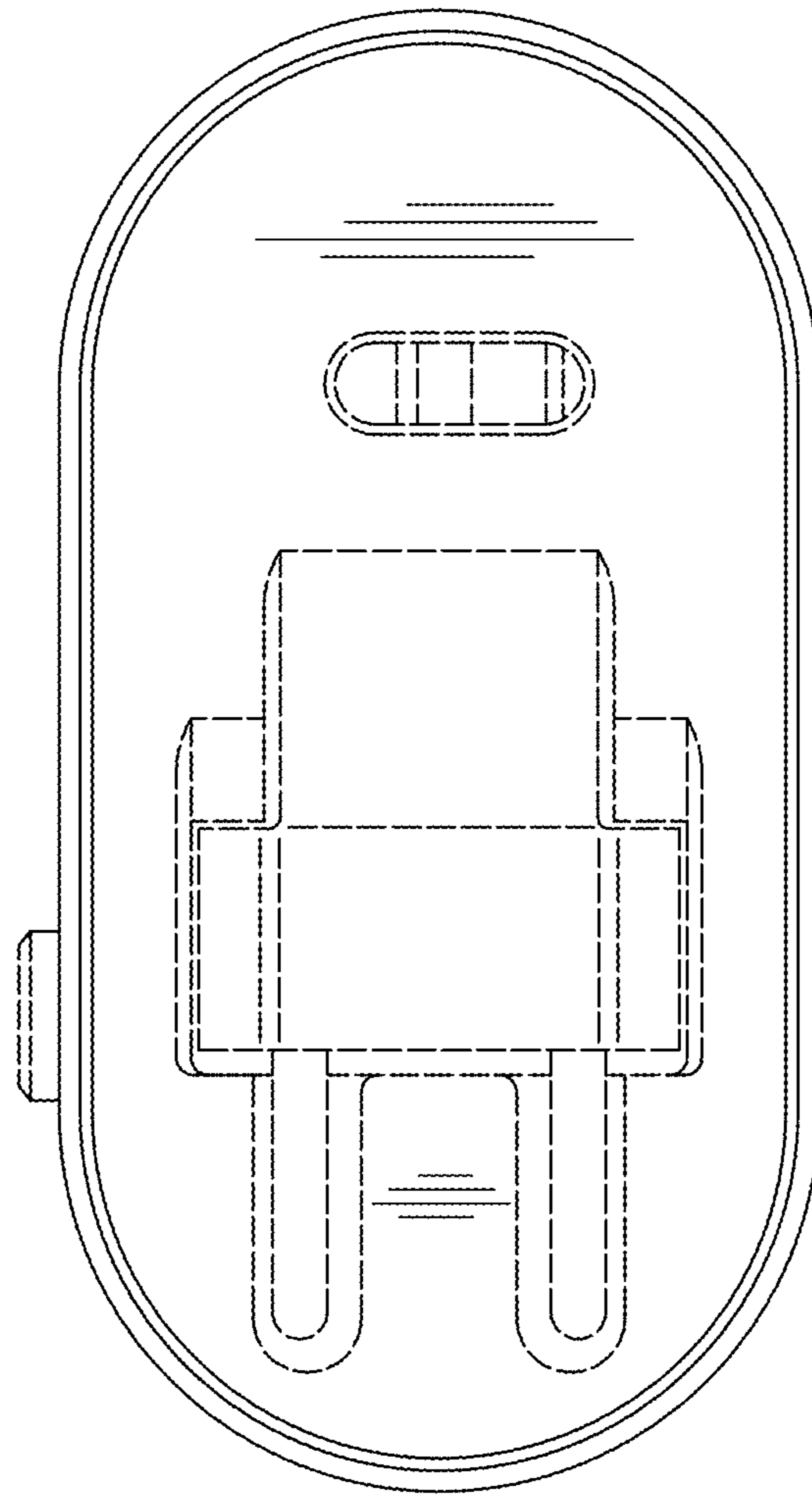
549,651 A	11/1895	Palmatier	
7,445,513 B1 *	11/2008	Lee	H01R 31/06 439/131
D623,595 S *	9/2010	Ruffner	D13/110
D657,314 S *	4/2012	Ruffner	D13/139.1
8,182,276 B2 *	5/2012	Ruffner	H01R 24/78 439/172
D664,094 S *	7/2012	Ruffner	D13/138.2
D805,479 S *	12/2017	Lin	D13/137.2
D829,663 S *	10/2018	Liu	D13/137.2
D830,307 S *	10/2018	Liu	D13/137.2
D838,245 S *	1/2019	Lin	D13/137.2
D848,947 S *	5/2019	Liu	D13/137.2
D856,933 S *	8/2019	Lin	D13/137.2
D863,223 S *	10/2019	Zeng	D13/137.2
D880,425 S *	4/2020	Chen	D13/137.3

**1 Claim, 6 Drawing Sheets**

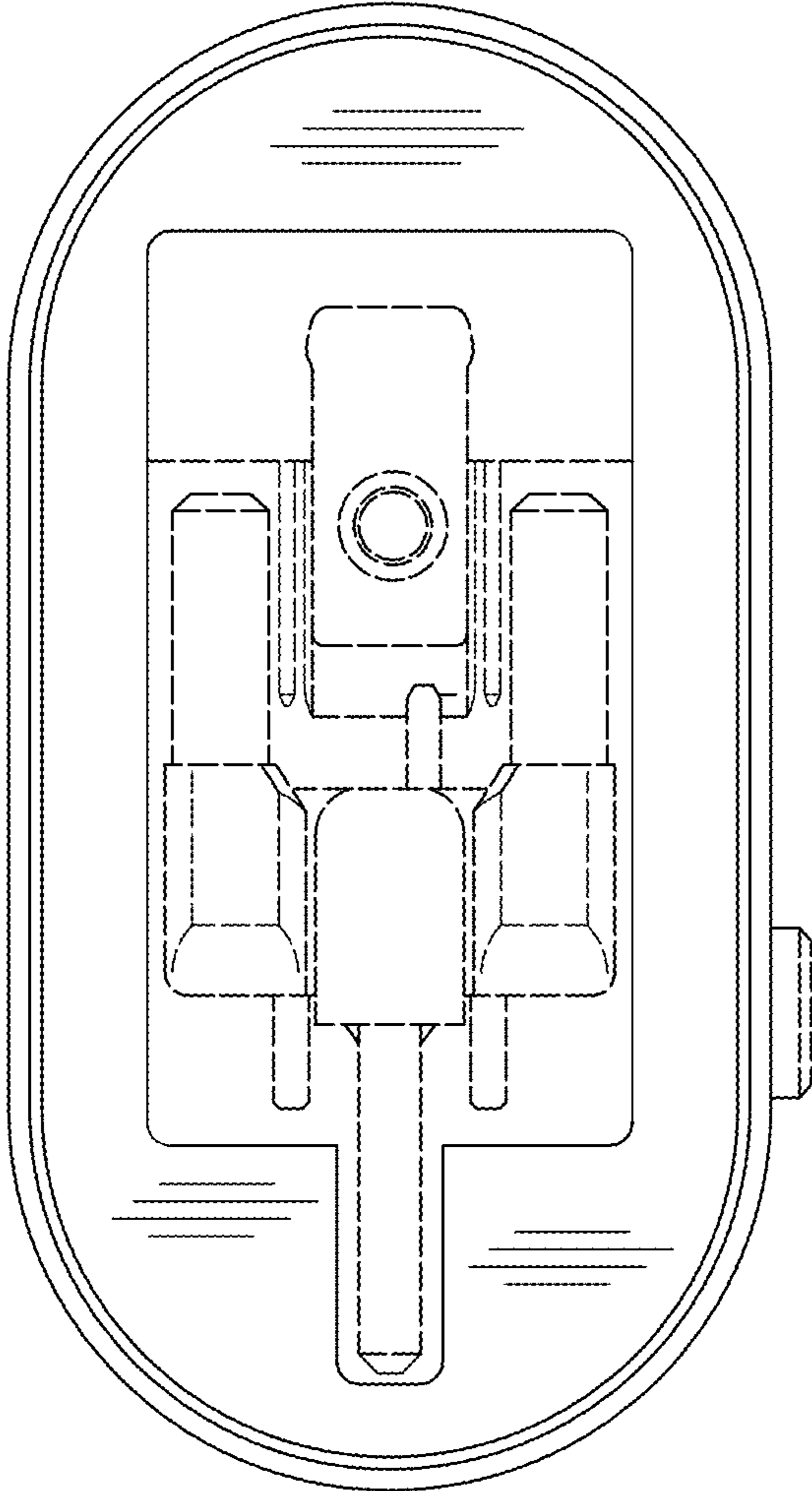




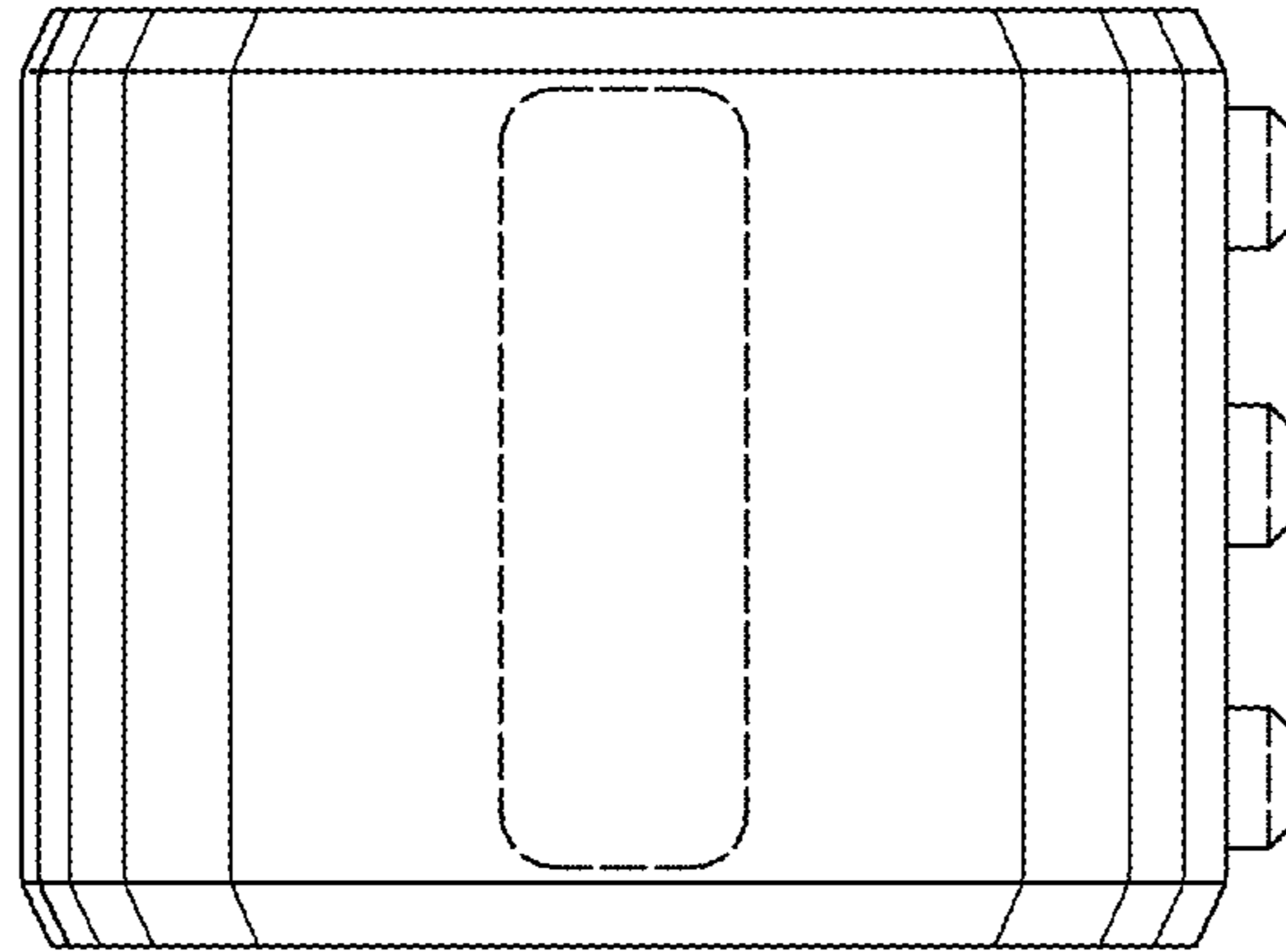
**FIG. 1**



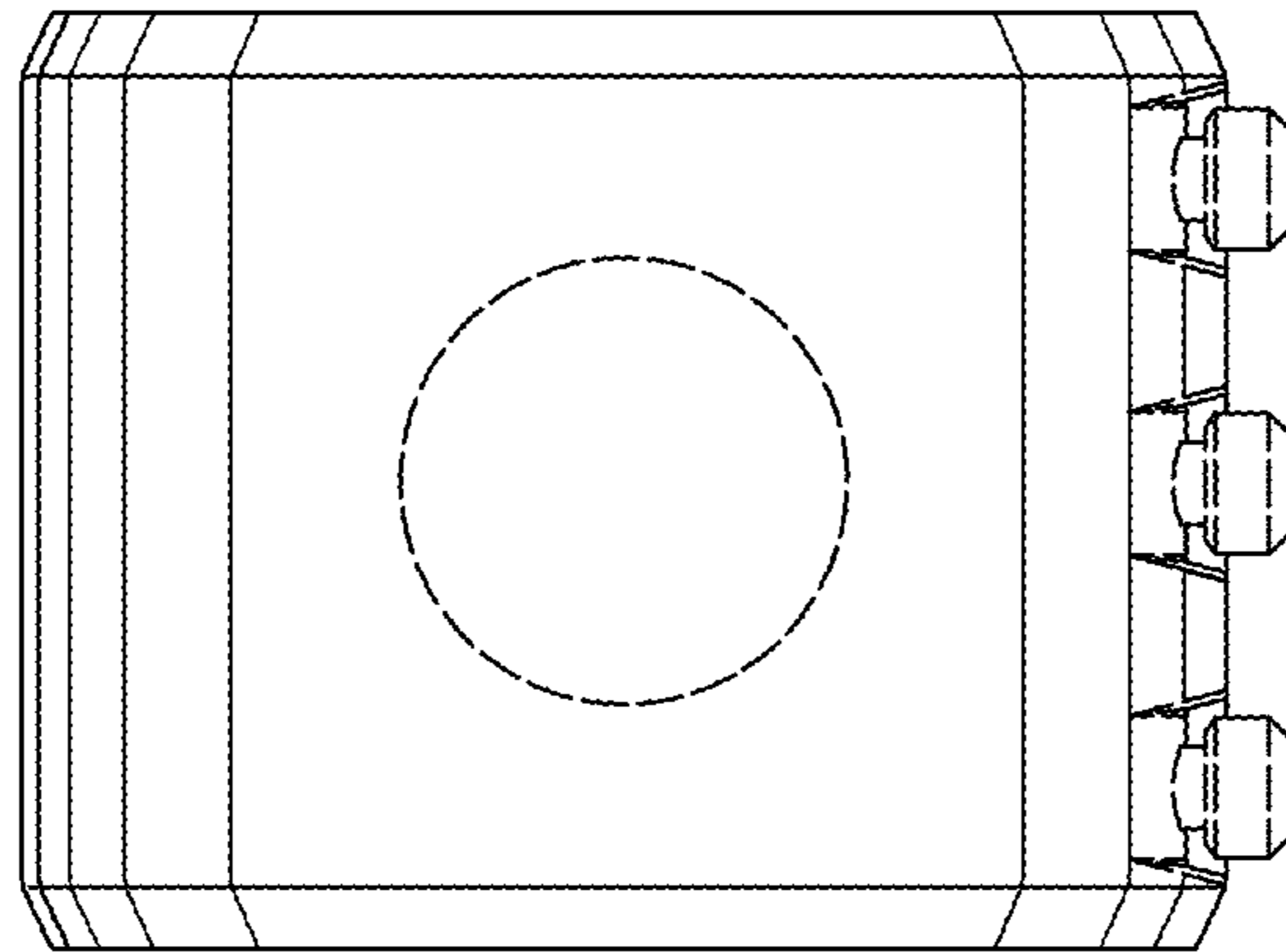
**FIG. 2**



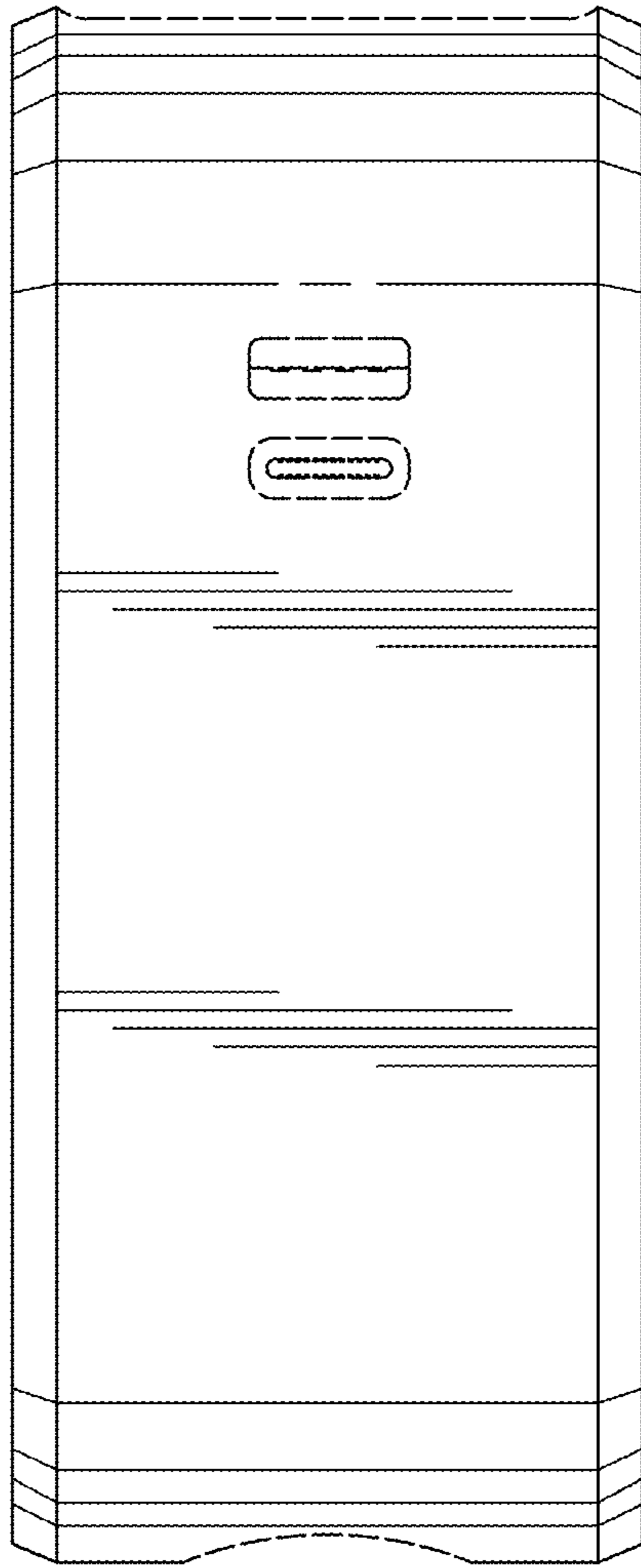
**FIG. 3**



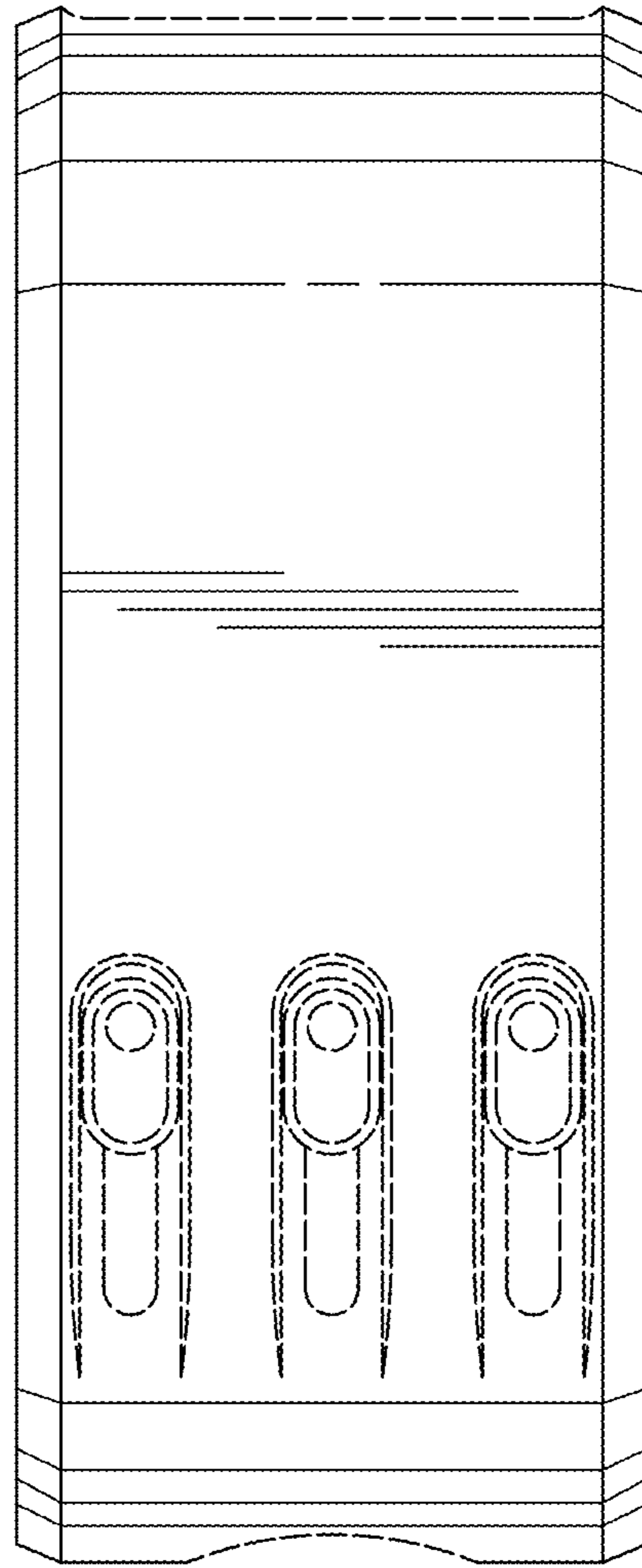
**FIG. 4**



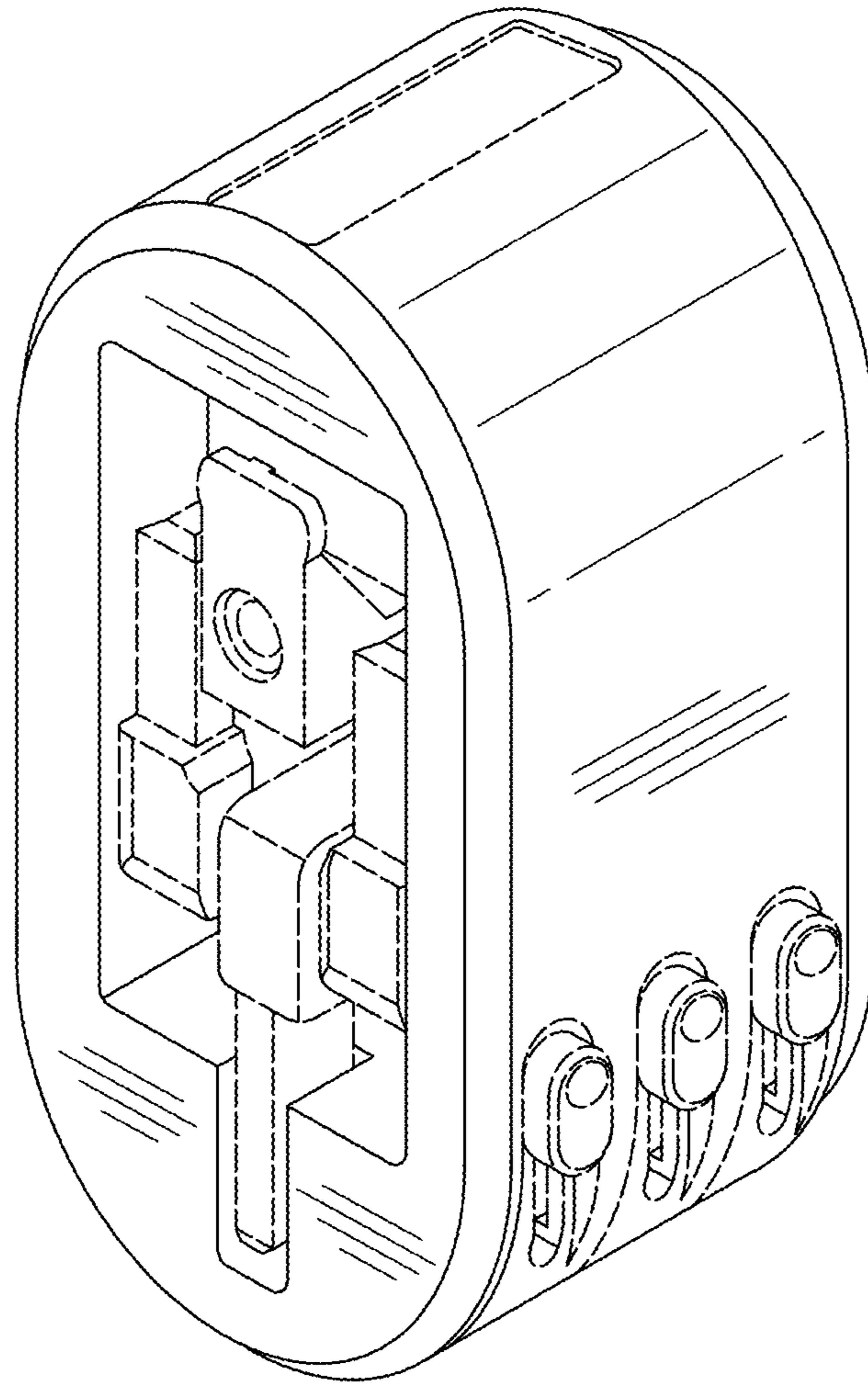
**FIG. 5**



**FIG. 6**



**FIG. 7**



**FIG. 8**