



US00D895553S

(12) **United States Design Patent**
Hu

(10) **Patent No.:** **US D895,553 S**

(45) **Date of Patent:** **** Sep. 8, 2020**

(54) **ELECTRICAL CABLE PLUG**

(71) Applicant: **Qingdao Baobin Electronics Technology Co., Ltd.**, Qingdao, Shandong (CN)

(72) Inventor: **Baobin Hu**, Shandong (CN)

(**) Term: **15 Years**

(21) Appl. No.: **29/729,205**

(22) Filed: **Mar. 25, 2020**

(51) **LOC (12) Cl.** **13-03**

(52) **U.S. Cl.**
USPC **D13/133**

(58) **Field of Classification Search**
USPC D13/103, 107, 108, 118–121, 123, 133, D13/145–147, 149, 151, 153, 154, 173, D13/184, 199
CPC H01R 9/00; H01R 11/00; H01R 12/00; H01R 13/00; H01R 13/50; H01R 13/502; H01R 13/504; H01R 13/58; H01R 13/64; H01R 13/648; H01R 24/00
See application file for complete search history.

(56) **References Cited**

U.S. PATENT DOCUMENTS

- 3,229,242 A * 1/1966 Finney H01R 13/533
439/679
- D257,035 S * 9/1980 Ostrelch D13/138.1
- D453,498 S 2/2002 Fujita
- D586,759 S * 2/2009 Victor D13/156

- D625,688 S * 10/2010 So D13/133
- D699,680 S * 2/2014 Takamoto D13/133
- D837,159 S * 1/2019 Untiedt D13/133
- D879,042 S * 3/2020 Hu D13/133
- D879,043 S * 3/2020 Hu D13/133
- D879,719 S * 3/2020 Hu D13/133
- 2004/0147170 A1 * 7/2004 Greenwood H01R 13/504
439/696
- 2009/0247017 A1 * 10/2009 Wu H01R 13/648
439/660
- 2016/0240967 A1 * 8/2016 Chen H01R 13/6272

* cited by examiner

Primary Examiner — Angela J Lee

Assistant Examiner — Shawn T Gingrich

(74) *Attorney, Agent, or Firm* — ZANIP

(57) **CLAIM**

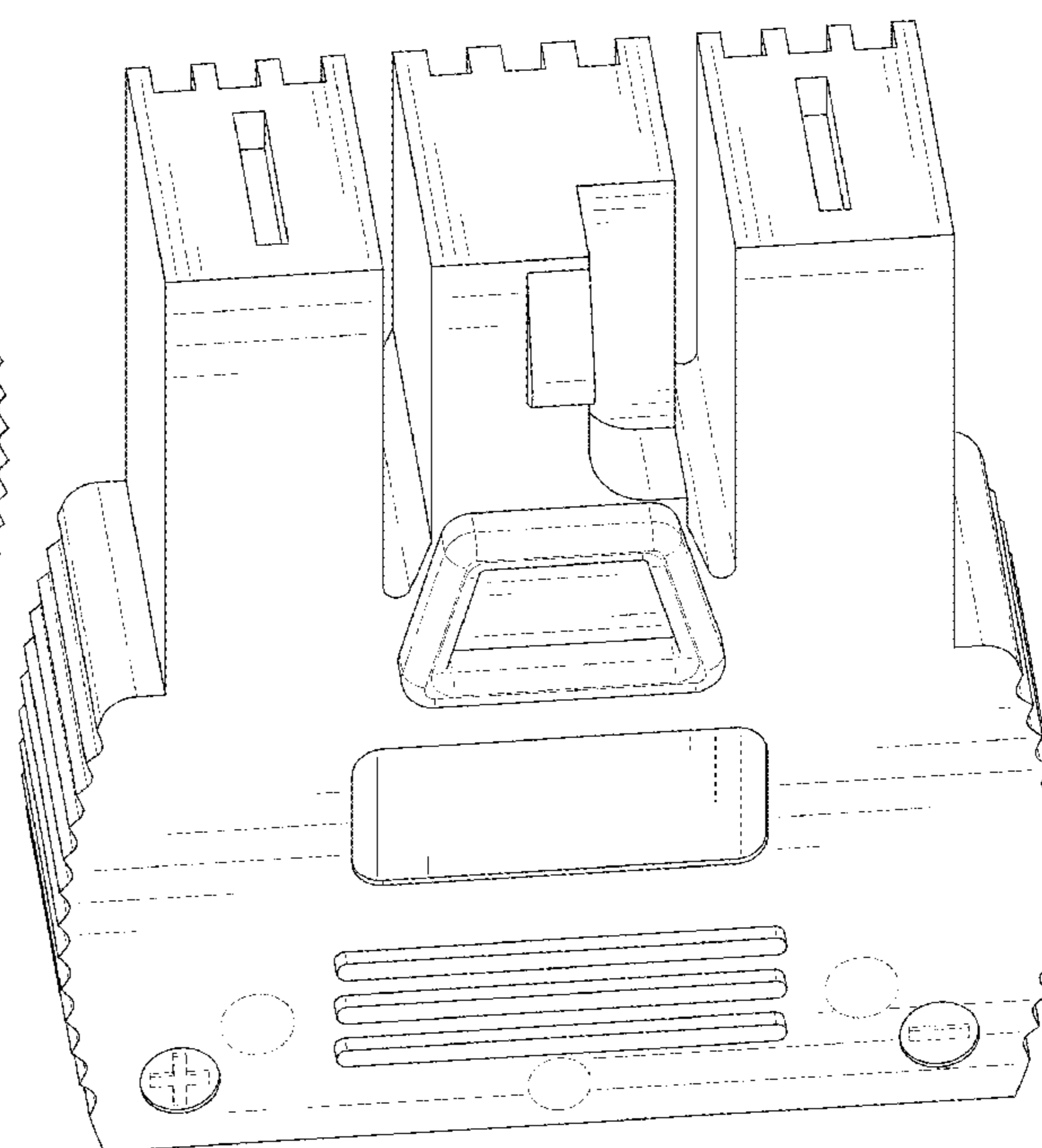
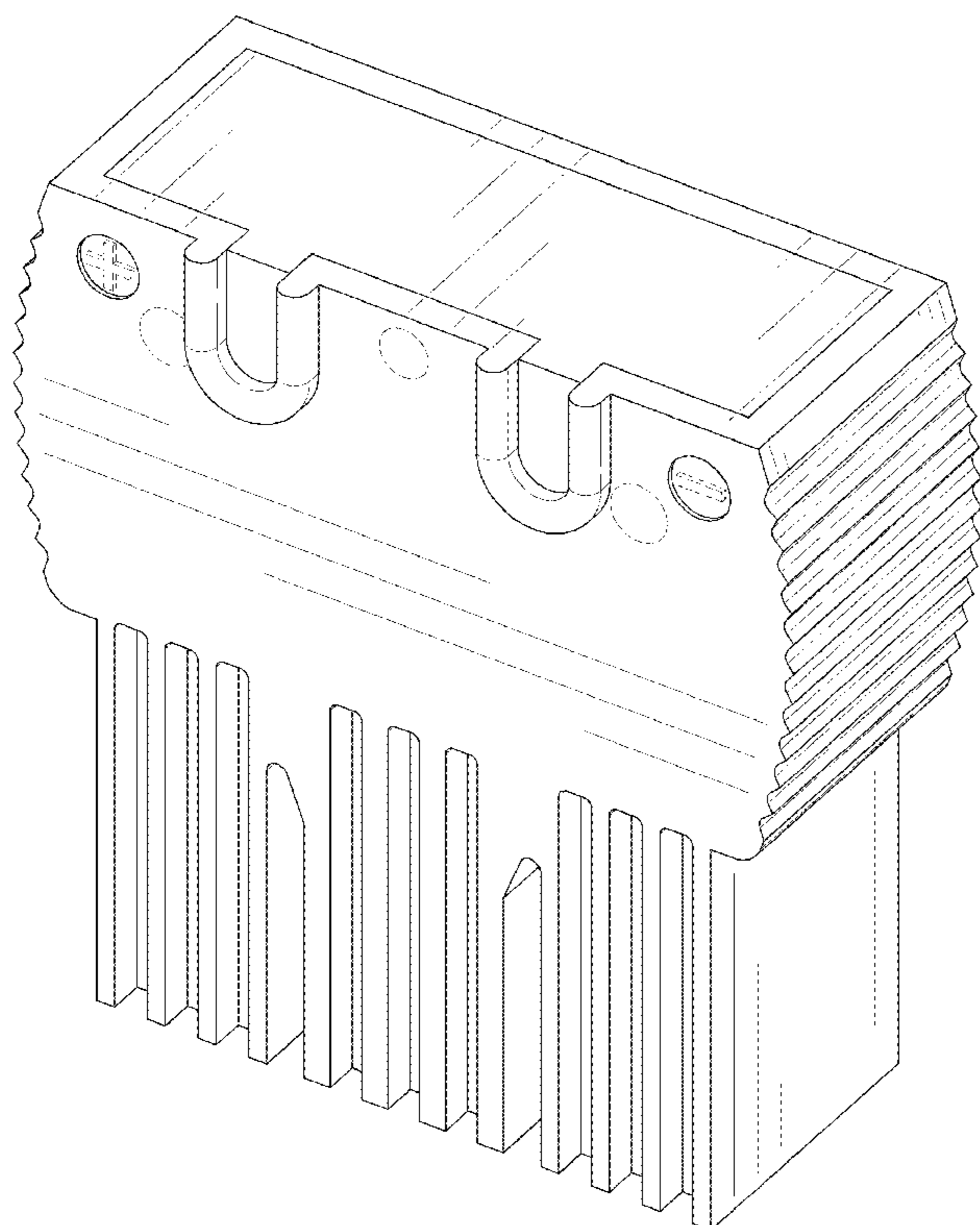
The ornamental design for an electrical cable plug, as shown and described.

DESCRIPTION

FIG. 1 is a front and top perspective view of an electrical cable plug, showing my new design;
FIG. 2 is a rear and bottom perspective view thereof;
FIG. 3 is a front elevational view thereof;
FIG. 4 is a rear elevational view thereof;
FIG. 5 is a left side elevational view thereof;
FIG. 6 is a right side elevational view thereof;
FIG. 7 is a top plan view thereof; and,
FIG. 8 is a bottom plan view thereof.

The broken lines in the figures illustrate portions of the electrical cable plug that form no part of the claimed design.

1 Claim, 8 Drawing Sheets



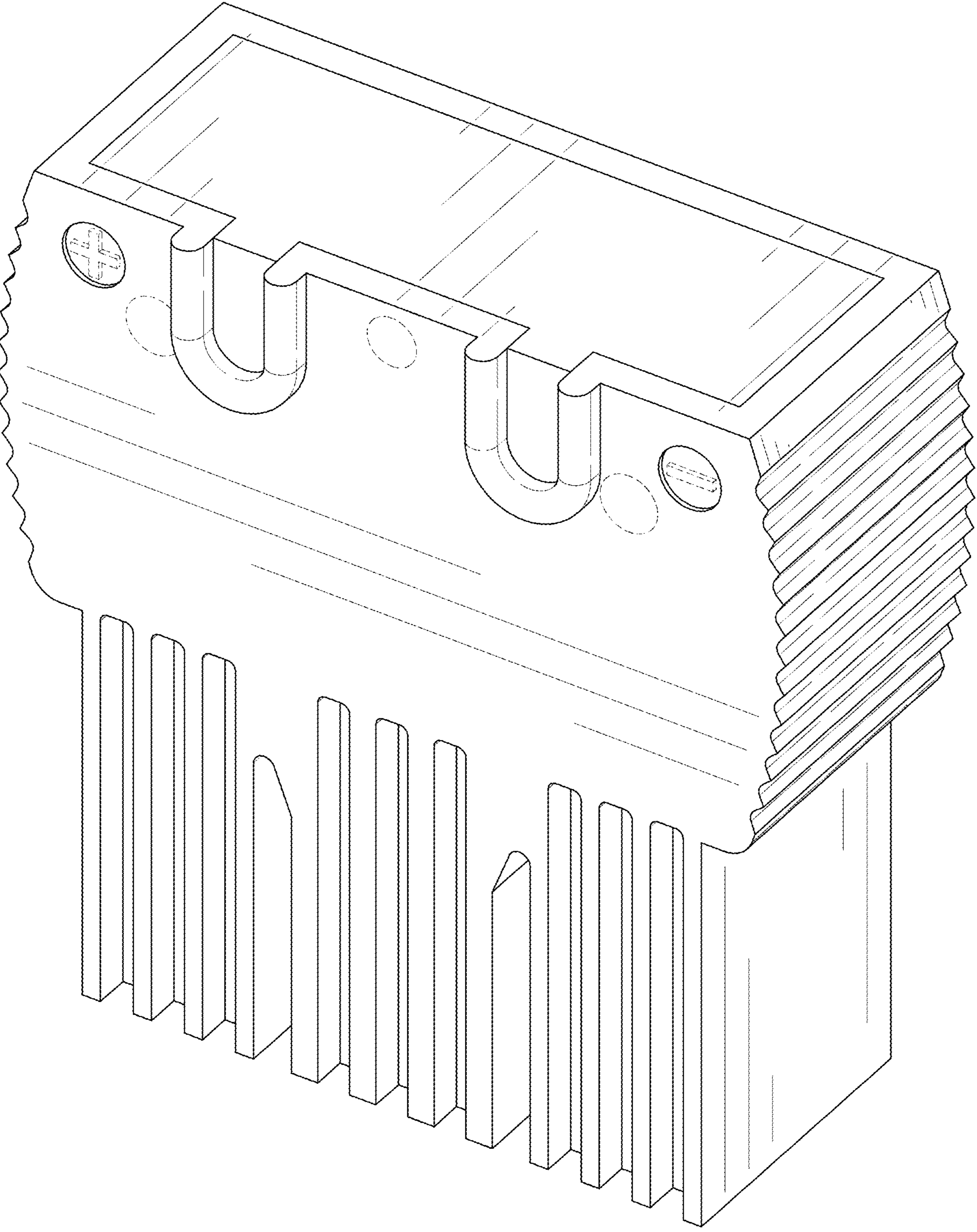


FIG. 1

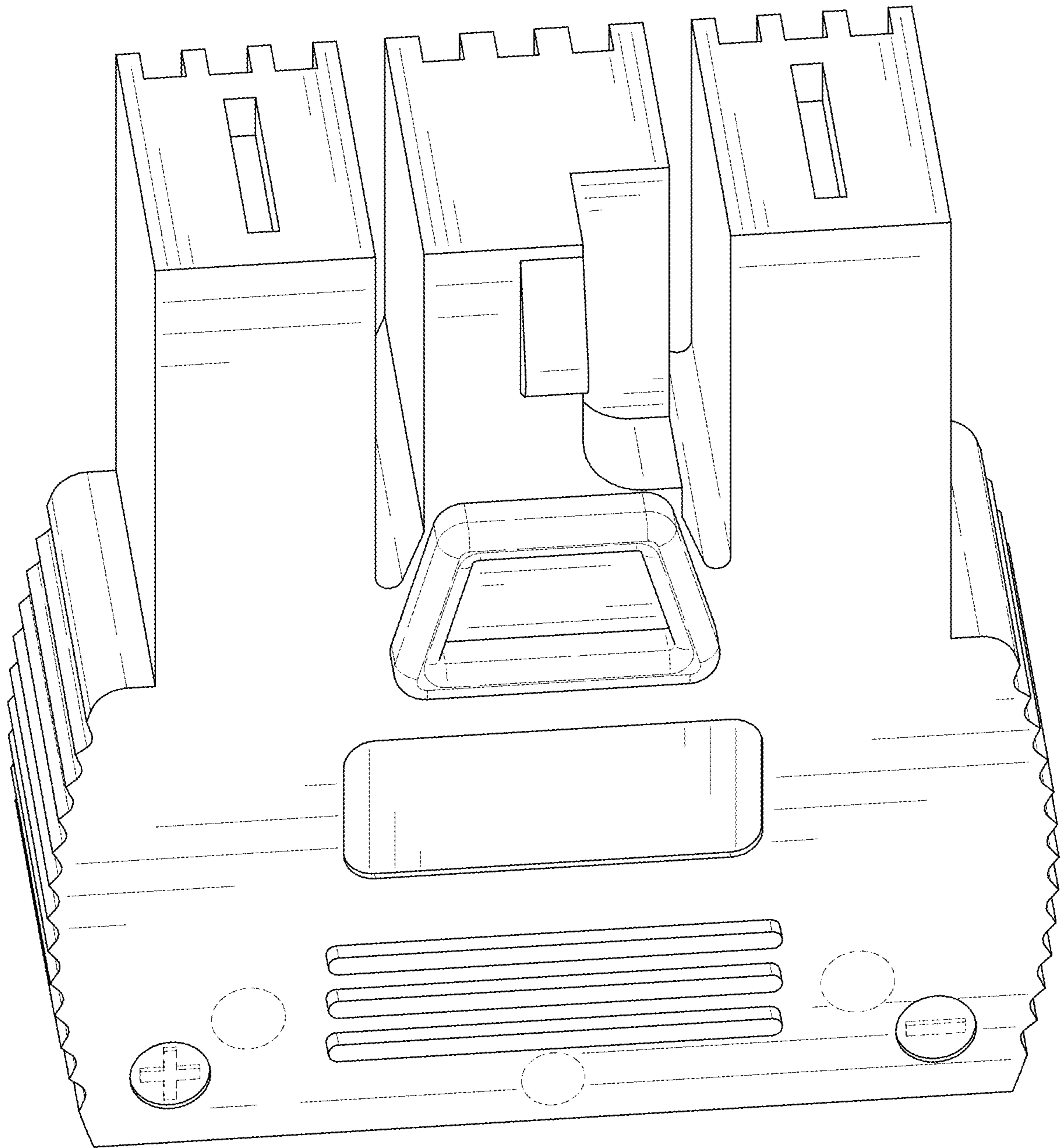


FIG. 2

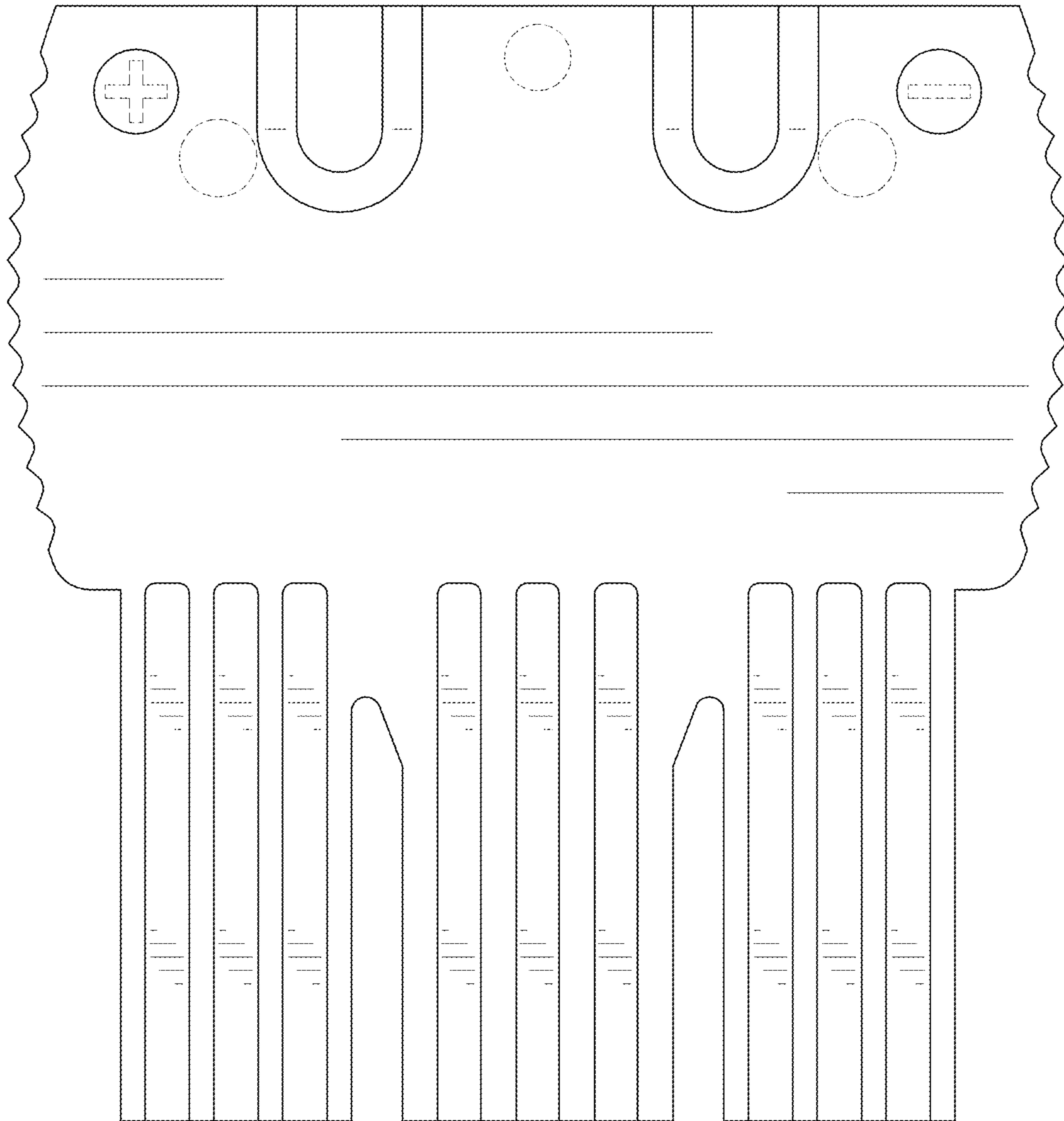


FIG. 3

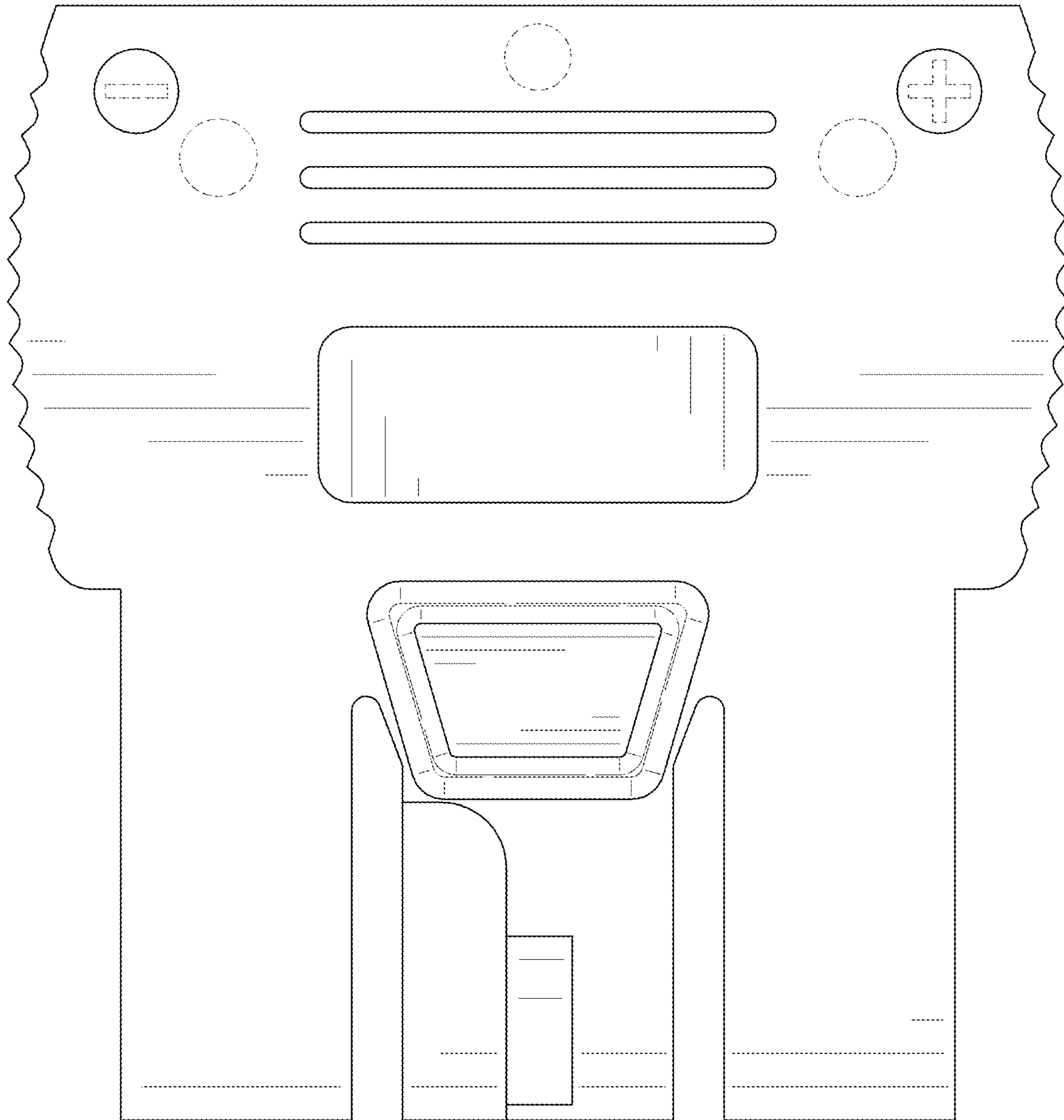


FIG. 4

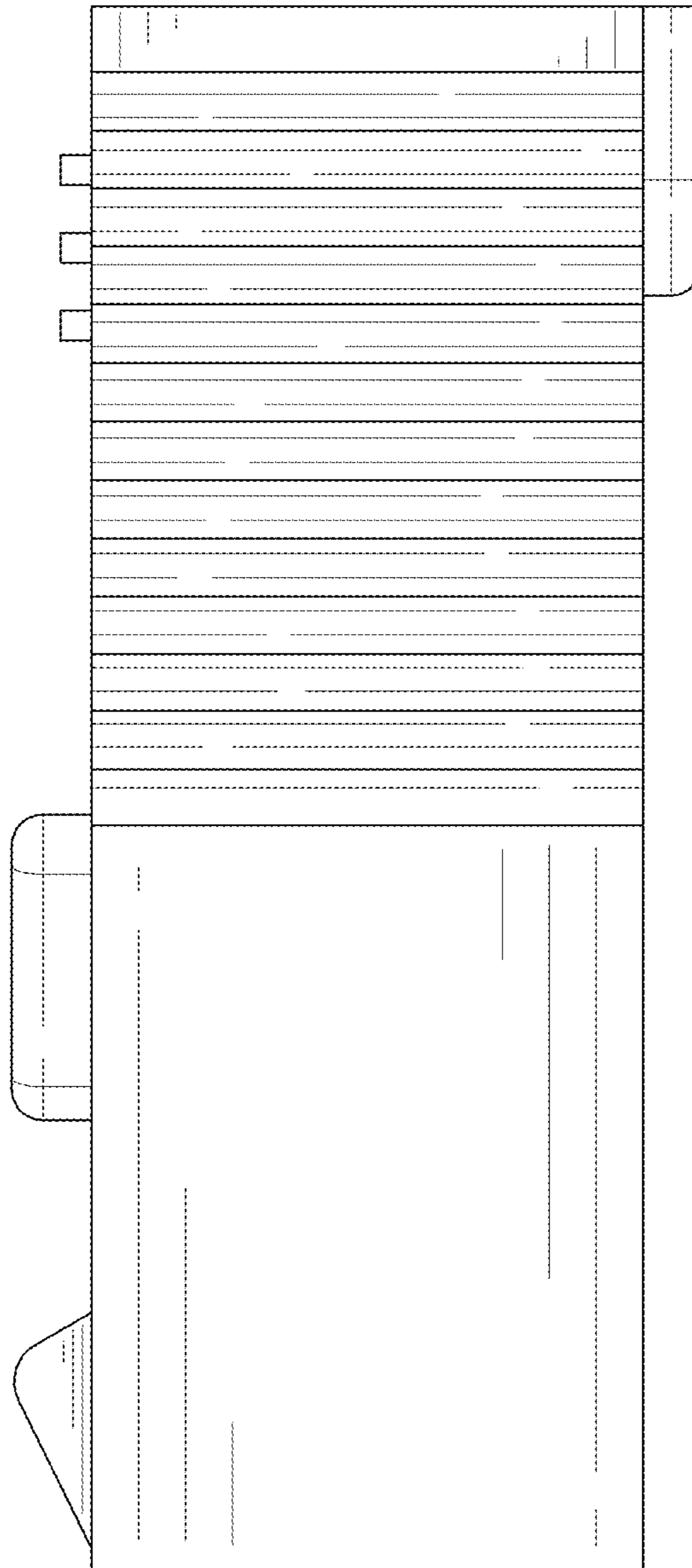


FIG. 5

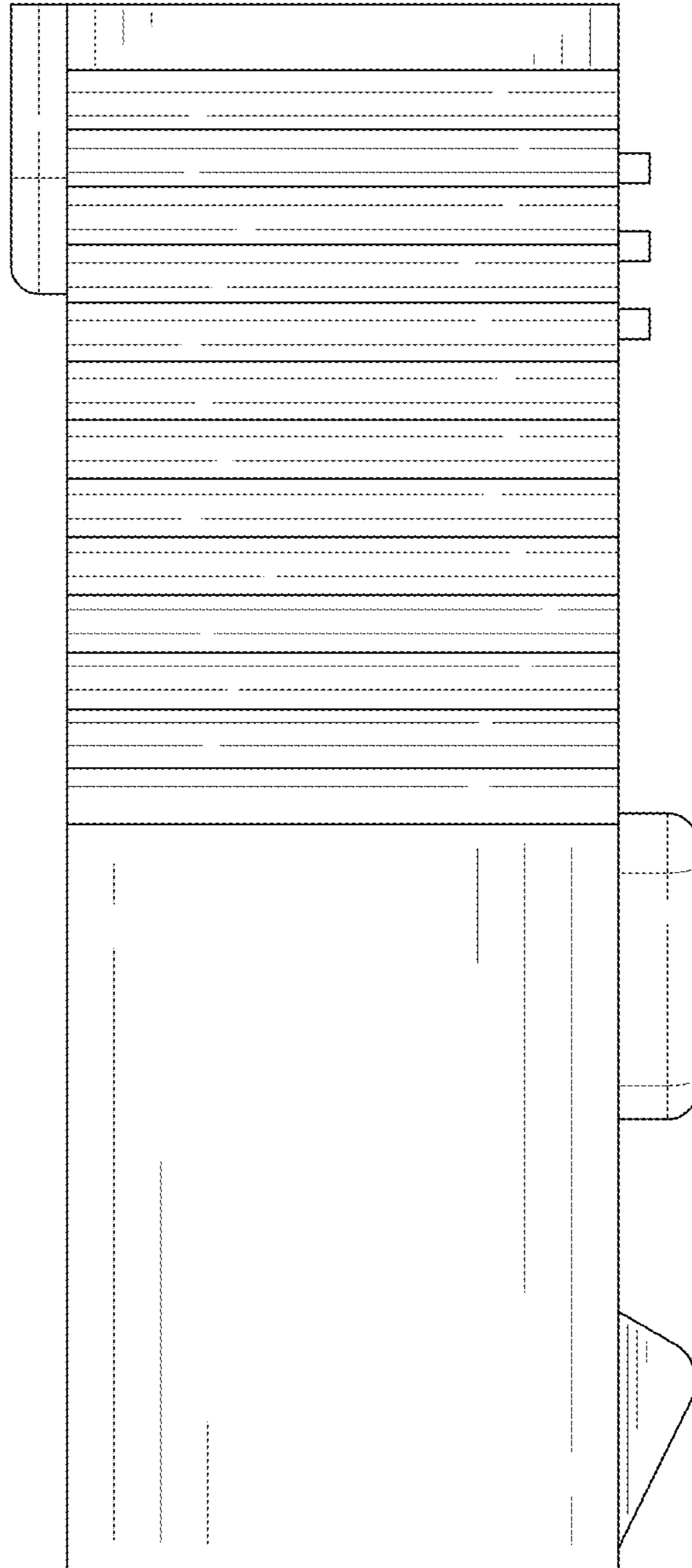


FIG. 6

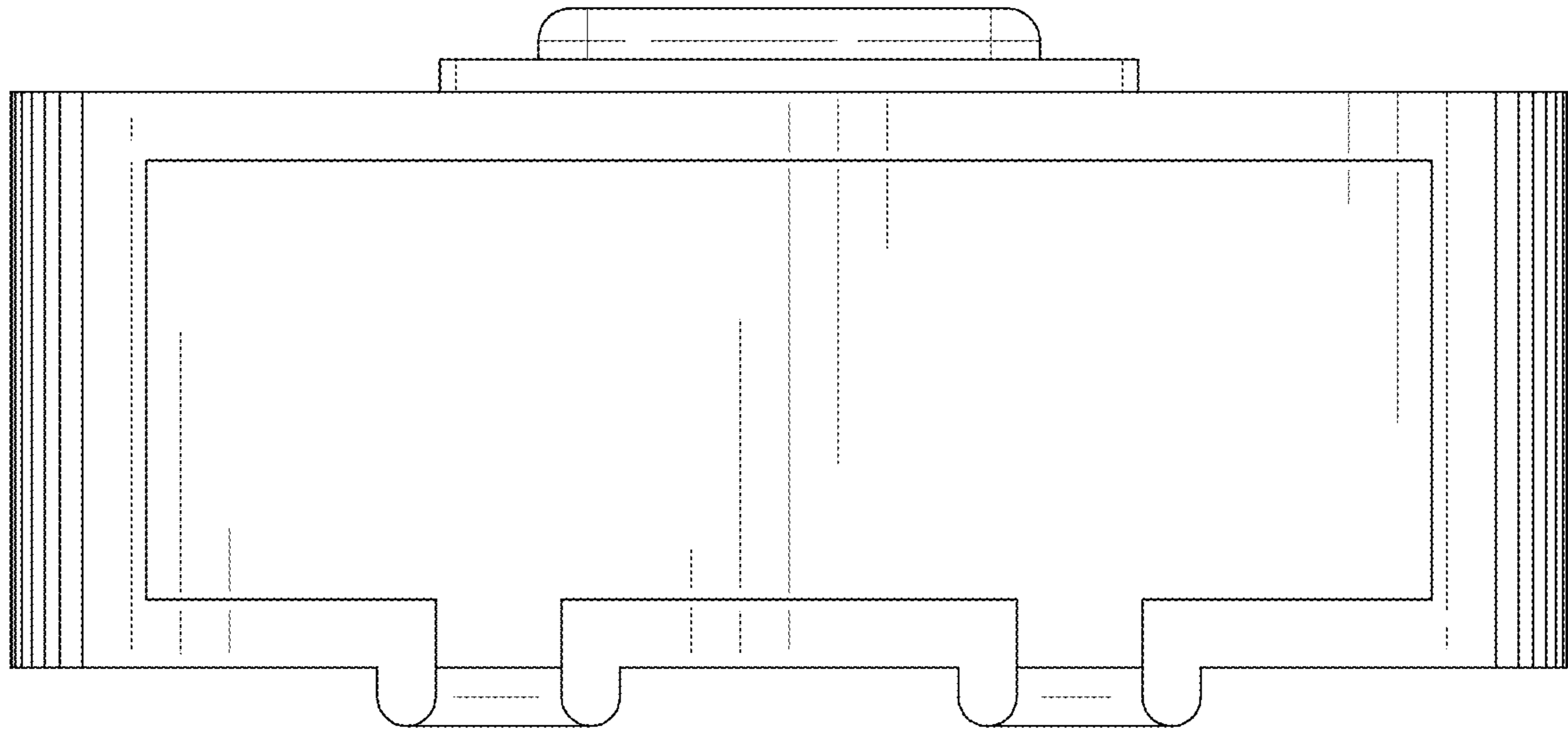


FIG. 7

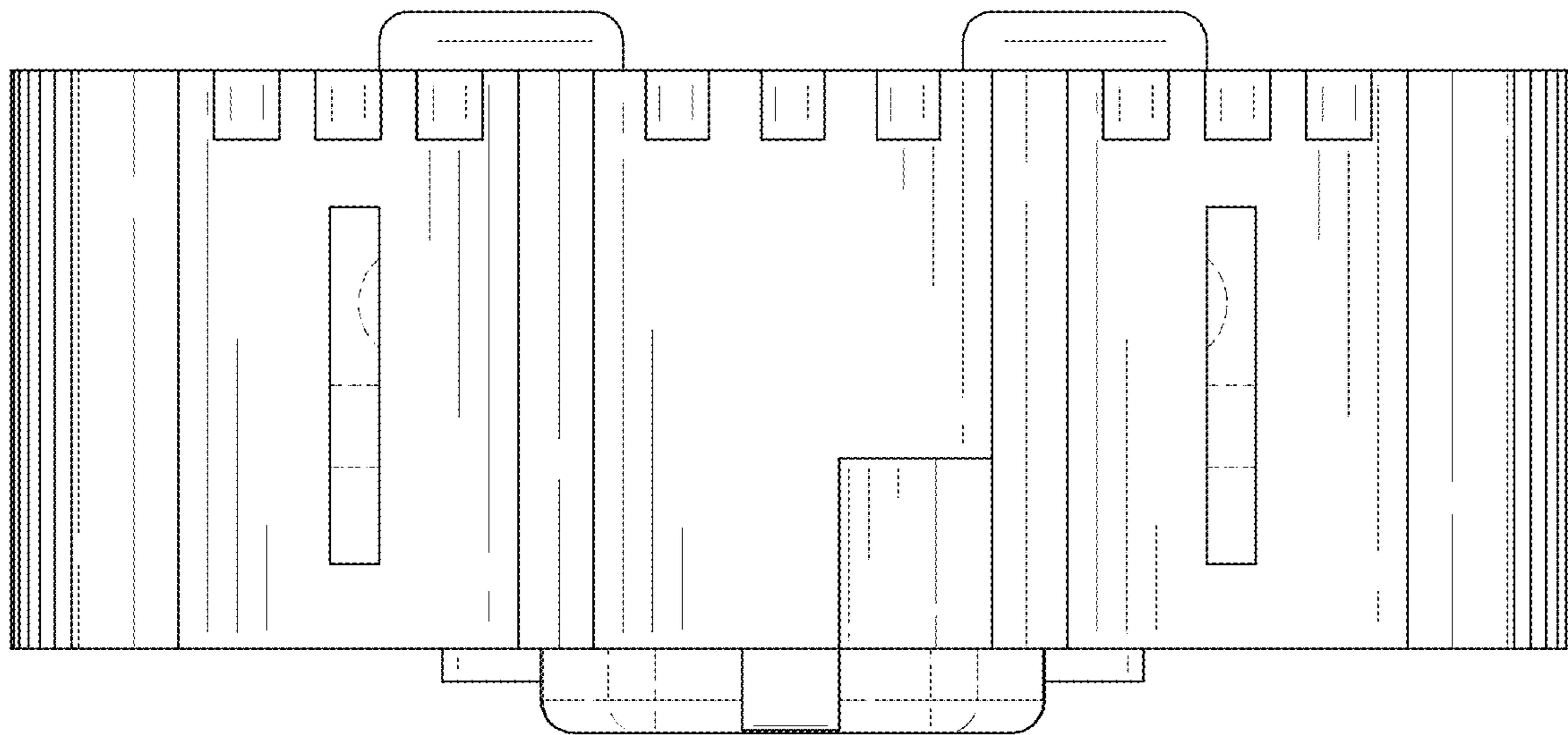


FIG. 8