



US00D895551S

(12) **United States Design Patent**
Turksu et al.

(10) **Patent No.:** **US D895,551 S**
(45) **Date of Patent:** **** Sep. 8, 2020**

(54) **TWO IN ONE CONNECTOR**
(71) Applicant: **SARIANA, LLC**, San Diego, CA (US)
(72) Inventors: **Alan Turksu**, San Diego, CA (US);
Mustafa Burak Guclu, San Diego, CA (US)
(73) Assignee: **SARIANA, LLC**, San Diego, CA (US)
(**) Term: **15 Years**

2,436,292 A 2/1948 De Mott
2,629,023 A 2/1953 La Fitte
2,878,324 A 3/1959 Guerrero
2,987,585 A 6/1961 Abysalh
3,224,644 A 12/1965 Davis
3,693,923 A 9/1972 Ayoub et al.
3,695,568 A 10/1972 Hoglebe
D227,117 S 6/1973 Breger
D230,014 S 1/1974 Edgell, Sr.
(Continued)

(21) Appl. No.: **29/668,268**
(22) Filed: **Oct. 29, 2018**
(51) **LOC (12) Cl.** **13-03**
(52) **U.S. Cl.**
USPC **D13/133**; D13/147; D14/433
(58) **Field of Classification Search**
USPC D13/110, 118, 120, 123, 133,
D13/137.1–137.4, 139.1–139.8, 146, 147,
D13/153, 154, 184, 107, 108; D14/432,
D14/433, 435.1, 438, 439, 137, 205–206,
D14/217, 218, 223, 225, 248, 256, 240,
D14/242, 356, 357, 358, 383, 384, 385,
D14/386, 434, 435, 480.1, 480.3, 480.4,
D14/480.5, 480.6, 480.7
CPC H01R 25/00; H01R 25/003; H01R 27/00;
H01R 27/02; H01R 31/005; H01R 24/28;
H01R 13/46
See application file for complete search history.

OTHER PUBLICATIONS

“Satechi Launches Dual-Connector Type-C Multimedia Adapter, Supporting Two 4K Displays,” Type-C Dual Multimedia Adapter pictured therein, online, post date Aug. 22, 2019, URL: <https://www.macrumors.com/2019/08/22/satechi-dual-type-c-adapter/>, retrieved May 4, 2020.*

(Continued)

Primary Examiner — Jeffrey D Asch
Assistant Examiner — Rebekah A Caruso
(74) *Attorney, Agent, or Firm* — Wagenknecht IP Law Group, PC

(57) **CLAIM**

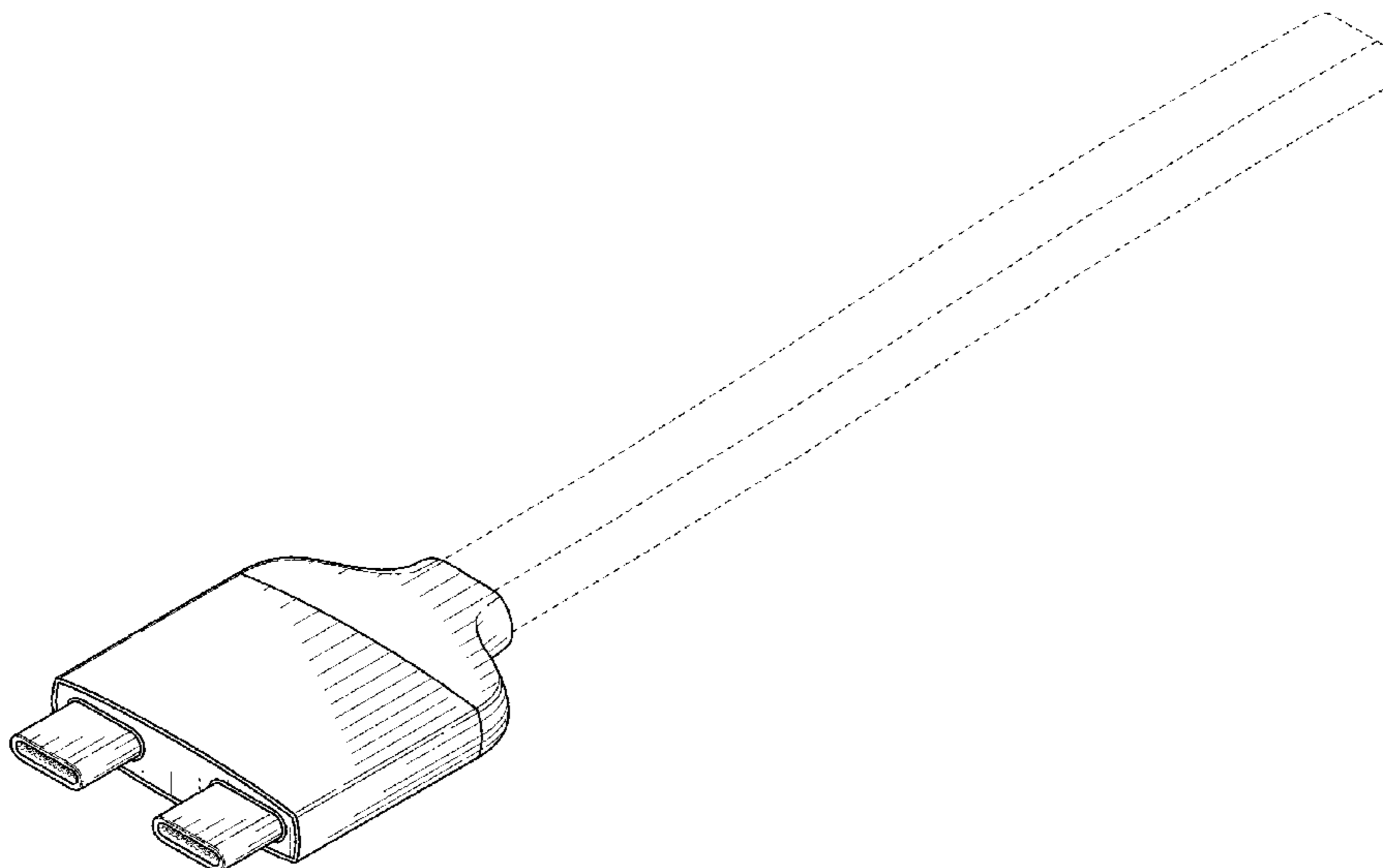
What is claimed is the ornamental design for a two in one connector, as shown and described.

DESCRIPTION

FIG. 1 is a top, front, left perspective view of a two in one connector showing our new design;
FIG. 2 is a front elevational view thereof;
FIG. 3 is a rear elevational view thereof;
FIG. 4 is a right side elevational view thereof;
FIG. 5 is a left side elevational view thereof;
FIG. 6 is a top plan view thereof; and,
FIG. 7 is a bottom plan view thereof; wherein the broken lines are for illustrative purposes only and form no part of the claimed design.

1 Claim, 3 Drawing Sheets

(56) **References Cited**
U.S. PATENT DOCUMENTS
1,165,840 A 12/1915 Brutus
1,359,347 A 11/1920 Fleisher
1,475,605 A 11/1923 Smith
1,550,588 A 8/1925 Soldani
1,646,562 A 10/1927 Snow
1,671,862 A 5/1928 Heinz et al.
D137,618 S 4/1944 Rolfes
D147,151 S 7/1947 Schinske



(56)

References Cited

U.S. PATENT DOCUMENTS

4,060,697	A	11/1977	Neal	
D254,594	S	4/1980	Picard	
D273,840	S	5/1984	Morita	
4,527,018	A	7/1985	Offredi	
D285,772	S	9/1986	Oliver	
D286,636	S	11/1986	Cooke et al.	
4,856,746	A	8/1989	Wrobel	
D308,870	S	6/1990	Rioux	
D320,992	S	10/1991	Jondelius	
5,095,382	A	3/1992	Abe	
D325,578	S	4/1992	Daido et al.	
D329,370	S	9/1992	Manning	
5,144,290	A	9/1992	Honda	
5,367,570	A	11/1994	Figueroa	
D353,532	S	12/1994	Miller	
D355,913	S	2/1995	Chong	
D357,016	S	4/1995	Li et al.	
D357,248	S	4/1995	Cheng	
D361,987	S	9/1995	Yamazaki	
D369,149	S	4/1996	Chang et al.	
D371,793	S	7/1996	Patton	
D387,784	S	12/1997	Nakamura	
D395,280	S	6/1998	Phelps	
D400,429	S	11/1998	Morita	
D405,064	S	2/1999	Iino	
D407,985	S	4/1999	Pimentel	
D413,574	S	9/1999	Goto	
D422,560	S *	4/2000	Lok	D13/147
D426,491	S	6/2000	Chan	
D430,882	S	9/2000	Tsai	
D432,496	S	10/2000	Collins	
D433,005	S	10/2000	McGugan	
D435,835	S	1/2001	Steck	
D438,451	S	3/2001	Reiter	
D441,639	S	5/2001	Reiter	
6,321,340	B1	11/2001	Shin et al.	
D451,886	S *	12/2001	Goto	D13/147
D454,482	S	3/2002	Morita	
D461,400	S	8/2002	Aoki	
D461,794	S	8/2002	Polito et al.	
D464,562	S	10/2002	Reiter	
D464,972	S	10/2002	Carrasco, Jr.	
D478,086	S	8/2003	Chuang	
D478,087	S	8/2003	Aldridge	
6,612,534	B2	9/2003	Hennessey	
D482,674	S	11/2003	Rath et al.	
D484,128	S	12/2003	Chung	
D488,783	S *	4/2004	Goto	D13/147
D492,307	S	6/2004	Aqqad et al.	
D496,029	S	9/2004	Skulley et al.	
D500,986	S *	1/2005	Li	D13/147
D511,985	S	11/2005	Kelly	
D512,417	S	12/2005	Hirakawa et al.	
D515,040	S	2/2006	Jones et al.	
D518,030	S	3/2006	Lin	
D522,531	S	6/2006	Solomon et al.	
D526,973	S	8/2006	Gates et al.	
D530,525	S	10/2006	Greene	
D548,700	S *	8/2007	Ledbetter	D13/147
D553,106	S	10/2007	Griffin	
D554,115	S	10/2007	Liu	
D558,145	S	12/2007	Stavoe et al.	
D559,848	S	1/2008	Siu	
D559,849	S	1/2008	Siu	
D559,850	S	1/2008	Lye	
D560,165	S	1/2008	Matityahu	
D561,345	S	2/2008	Flick	
D564,501	S	3/2008	Rath	
D580,436	S	11/2008	Kiyomiya	
D588,545	S	3/2009	Andre et al.	
7,499,271	B2	3/2009	Wagatsuma et al.	
D591,270	S	4/2009	Jakobson	
D593,103	S	5/2009	Richter	
D593,998	S	6/2009	Bentley et al.	
D595,697	S	7/2009	Mao et al.	
D599,331	S	9/2009	Bentley et al.	
D600,925	S	9/2009	Guffey et al.	
D601,564	S	10/2009	Maeno	
D602,008	S	10/2009	Bentley et al.	
D602,911	S	10/2009	Wang et al.	
D602,917	S	10/2009	Bentley	
D602,940	S	10/2009	McLean	
D604,725	S	11/2009	Chen	
D606,549	S	12/2009	He	
D610,156	S	2/2010	Mudrick	
D613,249	S *	4/2010	Nagata	D13/147
D627,306	S	11/2010	Charleux	
7,841,876	B2	11/2010	Lin	
D628,537	S *	12/2010	Nagata	D13/147
D635,978	S	4/2011	Chen	
D636,342	S *	4/2011	Sasaki	D13/147
D636,731	S *	4/2011	Sasaki	D13/147
D636,732	S *	4/2011	Sasaki	D13/147
D636,734	S *	4/2011	Hsieh	D13/147
D641,753	S	7/2011	Obata	
D642,585	S	8/2011	Lan et al.	
D645,027	S	9/2011	Mistry et al.	
D646,683	S	10/2011	Tao et al.	
D658,640	S	5/2012	Ivaskevicius	
D659,094	S	5/2012	Brand et al.	
D661,249	S	6/2012	Smith et al.	
D662,089	S	6/2012	Mistry et al.	
D664,146	S	7/2012	Hoehn	
D665,734	S	8/2012	Fitch	
D669,473	S	10/2012	Gronau et al.	
D669,888	S	10/2012	Mistry et al.	
D670,291	S	11/2012	Dalton	
D670,297	S	11/2012	Huang	
D671,096	S	11/2012	Song et al.	
D671,491	S	11/2012	Zaslaysky et al.	
D671,528	S	11/2012	Fathollahi	
D675,991	S *	2/2013	Sasada	D13/147
D677,259	S	3/2013	van der Lande	
D678,286	S	3/2013	Cheng	
D683,251	S	5/2013	Dumas et al.	
D683,703	S	6/2013	Akana et al.	
D684,145	S	6/2013	Rath	
D684,976	S	6/2013	Akana et al.	
D685,806	S	7/2013	Kim et al.	
D687,009	S	7/2013	Song et al.	
D688,198	S	8/2013	Takeshita et al.	
D688,248	S	8/2013	Tsuda et al.	
D688,255	S	8/2013	Daniel	
8,512,079	B2	8/2013	Vroom et al.	
D689,858	S	9/2013	Lo et al.	
D690,707	S	10/2013	Minn et al.	
D691,879	S	10/2013	Bernard	
D691,947	S	10/2013	Cole	
D692,024	S	10/2013	Seong et al.	
D693,768	S	11/2013	Alesi et al.	
D696,673	S	12/2013	Vogel	
D700,904	S	3/2014	Miller et al.	
D701,838	S	4/2014	Esses	
D702,146	S	4/2014	Giovanni	
D702,242	S	4/2014	Tsuda et al.	
D703,676	S	4/2014	Smith	
D704,177	S	5/2014	Chun et al.	
D705,189	S	5/2014	Chovin	
D705,748	S	5/2014	He	
D706,248	S	6/2014	Myung	
D706,249	S	6/2014	Holzer	
D707,681	S	6/2014	Akana et al.	
8,758,032	B2	6/2014	Liang	
D709,066	S	7/2014	Byun	
D709,892	S	7/2014	Lui	
8,777,656	B2	7/2014	Kuo	
D711,884	S	8/2014	Turksu	
8,838,029	B2	9/2014	Goldman et al.	
D714,729	S	10/2014	Akana et al.	
D715,132	S	10/2014	McSweyn et al.	
D715,797	S	10/2014	Hiraga	
D716,235	S *	10/2014	Tien	D13/147
D717,803	S	11/2014	Takano et al.	
D718,612	S	12/2014	McSweyn et al.	

(56)

References Cited

U.S. PATENT DOCUMENTS

D720,691 S 1/2015 Lo et al.
 D720,755 S 1/2015 Nokuo
 D724,080 S 3/2015 Lin et al.
 D725,088 S 3/2015 Kwak et al.
 D726,161 S 4/2015 Howard et al.
 D727,906 S 4/2015 Neumann
 D728,467 S 5/2015 Hasbrook
 D729,277 S 5/2015 Uchida
 D729,773 S 5/2015 Salojarvi et al.
 D733,043 S 6/2015 Hasbrook et al.
 D733,144 S 6/2015 Kostrzewski et al.
 D736,150 S 8/2015 Liu
 D737,201 S 8/2015 Liu
 D739,708 S 9/2015 McSweyn et al.
 D740,291 S 10/2015 Turksu
 D741,809 S * 10/2015 Yoon D13/147
 D742,320 S 11/2015 Akana et al.
 D743,382 S 11/2015 Katori
 D743,924 S 11/2015 Hillenmayer
 D743,954 S 11/2015 Chuang et al.
 D746,165 S 12/2015 Li
 D746,166 S 12/2015 Li
 D746,780 S 1/2016 Akana et al.
 D747,229 S 1/2016 Perez
 D747,984 S 1/2016 Zhao et al.
 D750,083 S 2/2016 Chow
 D750,612 S 3/2016 Chen
 D750,633 S 3/2016 Minn et al.
 D751,527 S 3/2016 Hinokio
 D751,560 S 3/2016 Akana et al.
 D751,564 S 3/2016 Hahn
 D751,985 S 3/2016 Curry
 D753,090 S 4/2016 Langhammer et al.
 D754,131 S 4/2016 Shim
 D756,367 S 5/2016 Kim
 D760,720 S * 7/2016 Laffon de Mazieres D14/433
 D765,623 S 9/2016 Yang et al.
 D765,651 S 9/2016 Liu et al.
 D766,844 S 9/2016 Turksu et al.
 D767,486 S 9/2016 Yu
 9,441,659 B2 9/2016 Ortwein
 D769,860 S 10/2016 Xiao
 D769,877 S 10/2016 Akana et al.
 D772,216 S 11/2016 Lau
 D772,878 S 11/2016 Chiang
 D772,879 S 11/2016 Eliyahu
 D774,514 S 12/2016 Turksu et al.
 D775,534 S 1/2017 Turksu et al.
 D776,659 S 1/2017 Hou
 D778,714 S 2/2017 McSweyn et al.
 D779,478 S 2/2017 Justiss
 D779,493 S 2/2017 Eliyahu
 D780,168 S 2/2017 Du
 D780,186 S 2/2017 Lee
 D781,297 S 3/2017 Liao
 D781,785 S 3/2017 Akana et al.
 D781,786 S 3/2017 Akana et al.
 D782,462 S 3/2017 Huang
 D782,476 S 3/2017 Yamazaki
 D782,485 S 3/2017 Cai
 D782,901 S 4/2017 Richter
 D783,541 S * 4/2017 Minn D13/153
 D783,592 S 4/2017 Ju
 D786,874 S 5/2017 Eliyahu
 D788,080 S 5/2017 Turksu et al.
 D788,112 S 5/2017 Liao
 D789,348 S 6/2017 Kim
 9,690,743 B2 6/2017 Eliyahu
 D793,344 S * 8/2017 Wang D13/153
 D793,397 S 8/2017 Eliyahu
 D794,028 S 8/2017 Lin
 D795,876 S 8/2017 Fletcher
 D797,747 S 9/2017 Xu
 D798,301 S 9/2017 Kujawski et al.
 D798,811 S 10/2017 Liao

D799,423 S 10/2017 Eliyahu
 D799,463 S 10/2017 Deng
 D799,464 S 10/2017 Zaihui
 D800,730 S 10/2017 Liao
 D802,404 S 11/2017 Turksu et al.
 D812,577 S 3/2018 Turksu et al.
 D813,803 S 3/2018 Massar
 D813,805 S 3/2018 Zhong
 D813,875 S 3/2018 Liao
 D814,413 S 4/2018 Zhong
 D814,423 S 4/2018 Akana et al.
 D815,639 S 4/2018 Lau
 D816,027 S 4/2018 Chen
 D816,030 S 4/2018 Sumida
 D820,264 S 6/2018 Lai
 D826,942 S 8/2018 Lu
 D828,839 S 9/2018 Zhang
 D828,840 S 9/2018 Zhang
 D828,841 S 9/2018 Zhang
 D829,215 S 9/2018 Magargee
 D829,216 S 9/2018 Belitz
 D829,725 S 10/2018 Luo
 D836,640 S 12/2018 Hou
 D839,869 S 2/2019 Wang
 D839,876 S 2/2019 Turksu
 D841,652 S 2/2019 Akana et al.
 D861,618 S * 10/2019 Zhu D13/153
 D864,208 S 10/2019 Duan
 D867,302 S 11/2019 Zhu et al.
 D868,784 S * 12/2019 Turksu D14/385
 D872,090 S 1/2020 Widiaman et al.
 D878,292 S 3/2020 Wu Xiaokai
 D881,890 S 4/2020 Wen
 2002/0003875 A1 1/2002 Stewart et al.
 2005/0245254 A1 11/2005 Hall
 2008/0071153 A1 * 3/2008 Al-Ali A61B 5/1455
 600/310
 2009/0286419 A1 * 11/2009 Koyama H01R 27/02
 439/358
 2010/0315041 A1 12/2010 Tan
 2012/0255505 A1 10/2012 Gauthier
 2013/0072042 A1 3/2013 Liao
 2013/0130524 A1 5/2013 Wang
 2013/0224976 A1 8/2013 Yu et al.
 2013/0272775 A1 10/2013 Ortwein
 2013/0292481 A1 11/2013 Filson
 2014/0138419 A1 5/2014 Minn et al.
 2014/0332268 A1 * 11/2014 Wu H01B 7/0225
 174/74 R
 2017/0035172 A1 2/2017 Kim
 2017/0170858 A1 6/2017 Tiller et al.
 2017/0223862 A1 8/2017 Justiss
 2017/0273202 A1 * 9/2017 Joo H01R 24/28

OTHER PUBLICATIONS

Satechi R1 Arm Series Review, YouTube online, post date Mar. 27, 2012, [URL: <https://www.youtube.com/watch?v=edjferhELk>].
 Aceluxe Arm R1 Hinge Holder Stand for Table Device and Any Smartphone, amazon online, no post date, [URL: <https://uedata.amazon.com/Aceluxe-Holder-Tablet-Device-Smartphone/dp/B014I15SYI>] [Retreived from internet on Feb. 12, 2019].
 PECHAM Multi-Angle Stand for Cell Phone, amazon online, first review with picture posted Jun. 28, 2017 [URL: <https://www.amazon.com/PECHAM-Multi-Angle-Nintendo-Smartphones-Universal/dp/B072JCY5XY>] [Retreived from Internet on Feb. 12, 2019].
 Sariana, LLC, US Registration U.S. Pat. No. 5,134,820, Jan. 31, 2017.
 Wong, Thomas. "Quick Look: Satechi Premium 4 Port Aluminum," [retrieved from Internet] <http://iSource.com/2012/07/04/quick-look-satechi-premium-4-port-aluminum-usb-hub/>, Jul. 4, 2012 [retrieved from Internet on Nov. 1, 2017] 13 pgs.
 UGREEN USB C Hub VGA Type C Multiport Adapter, UGREEN, first available on amazon.com on Apr. 7, 2018, retrieved on Dec. 3, 2018, [retrieved from the Internet], URL: <https://www.amazon.com/UGREEN-Multiport-Delivery-Charging-Chromebook/dp/>

(56)

References Cited

OTHER PUBLICATIONS

B076WX1VKZ/ref=sr_1_1_sspa?ie=UTF8&qid=1543851422&sr=8-1spons&keywords=ugreen+adapte.

Turksu et al. "Certificate of Registration for European Community Design Registration No. 003618826-0001," Registration dated Jan. 11, 2017. EUIPO.

Turksu et al. "Certificate of Registration for European Community Design Registration No. 003618834-0001," Registration dated Jan. 11, 2017. EUIPO.

Dual USB-C Male to USB Type A and USB-C Male Cable for Macbook Pro 13.0, online, post date Jun. 23, 2017, URL: http://m.allputer.com/mobile.php?main_page=product_info&products_id=3031, retrieved May 8, 2020.

Platinum Dual USB-C to 8-Port Hub, online, no post date, URL: <https://thetechnugget.com/2019/11/14/platinum-dual-usb-o-to-8-port-hub/>, retrieved May 8, 2020.

* cited by examiner

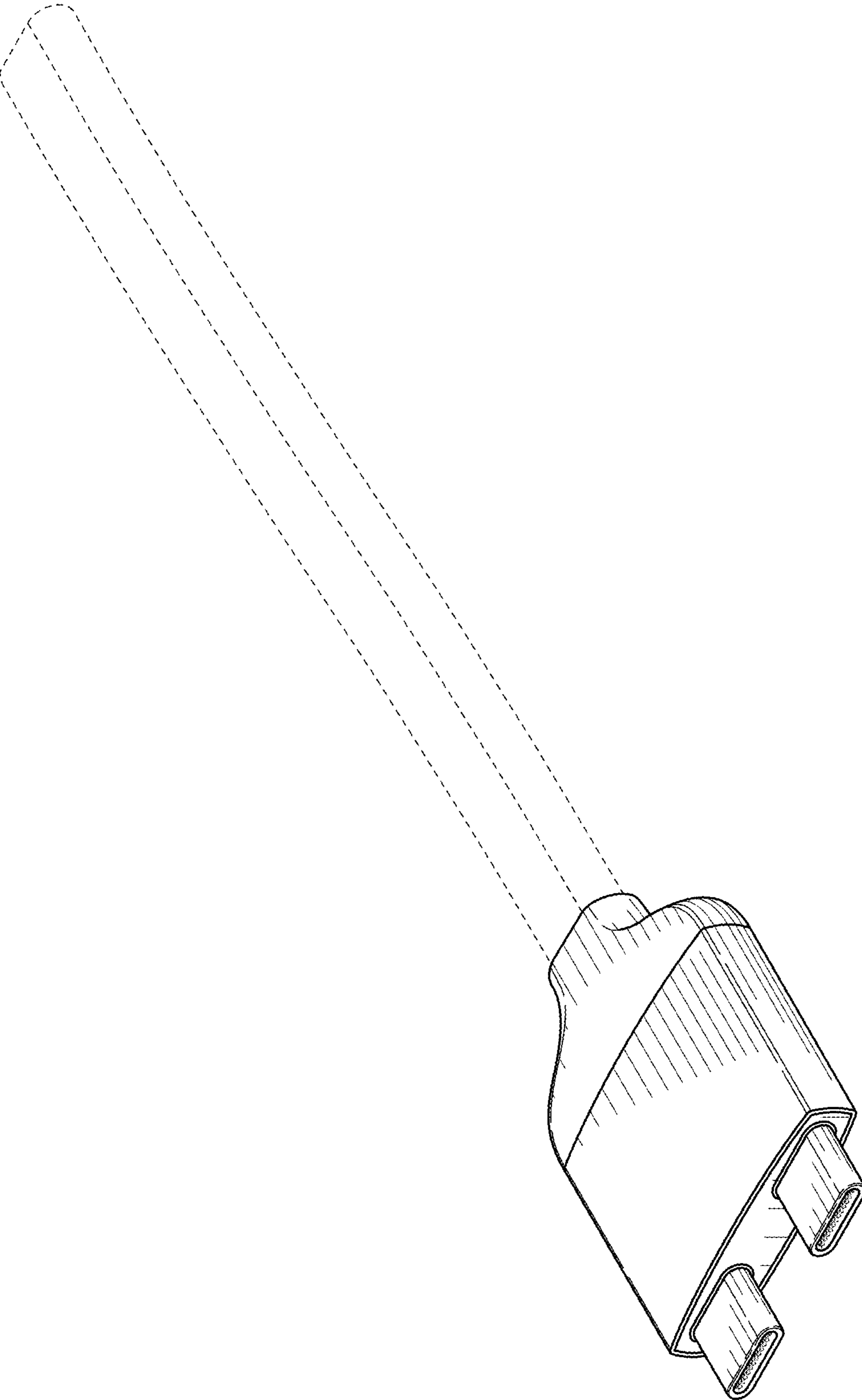


FIG. 1

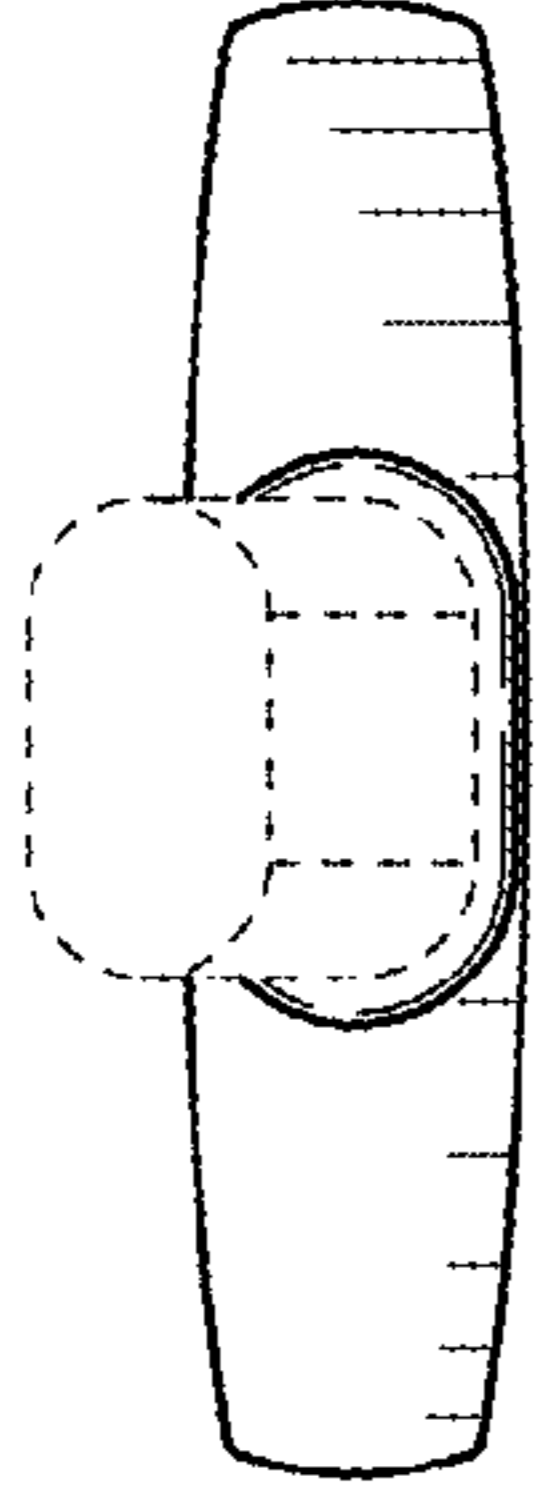


FIG. 3

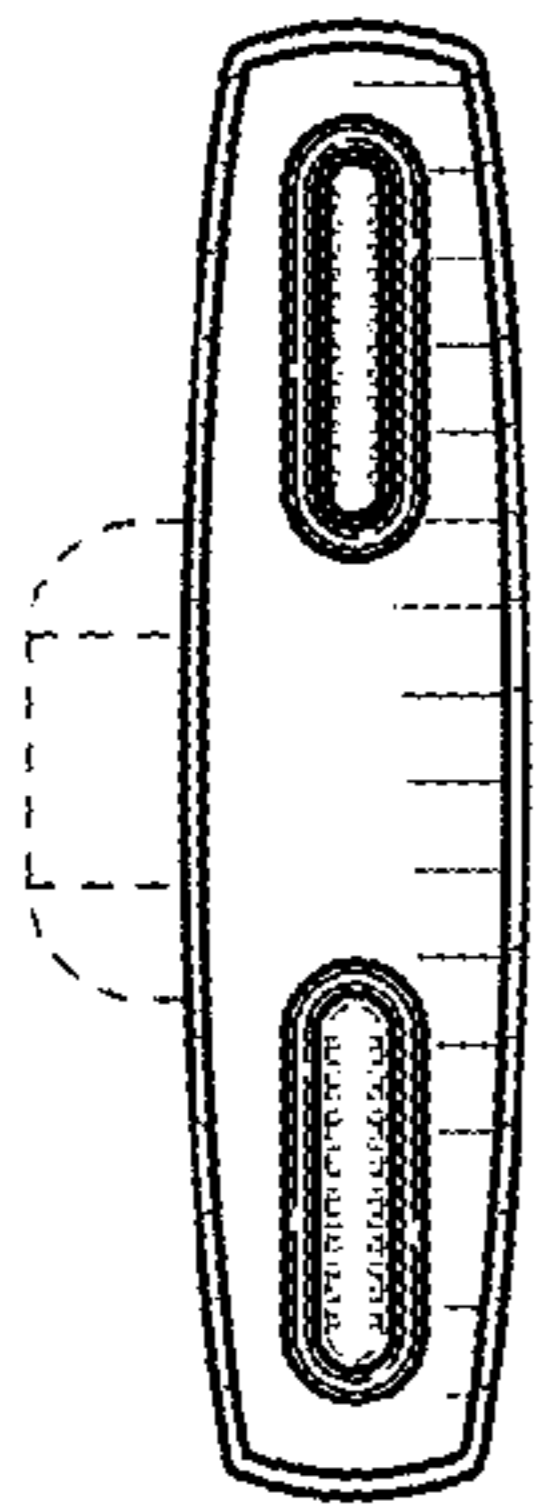


FIG. 2

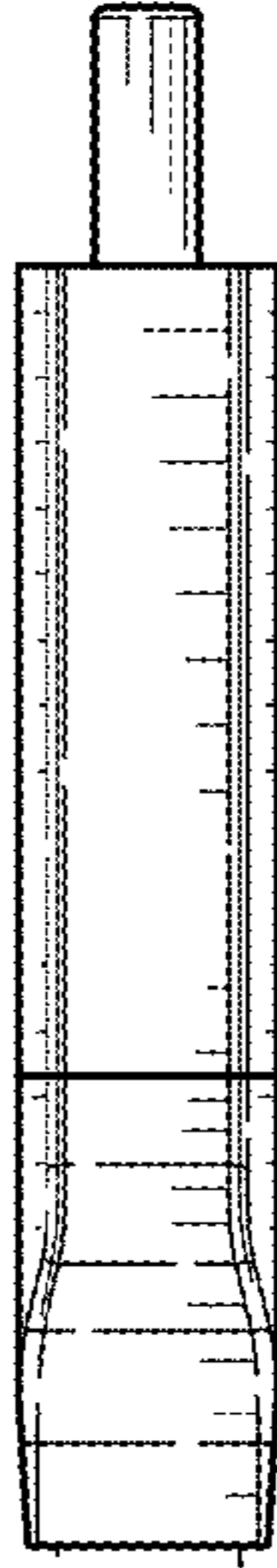


FIG. 4

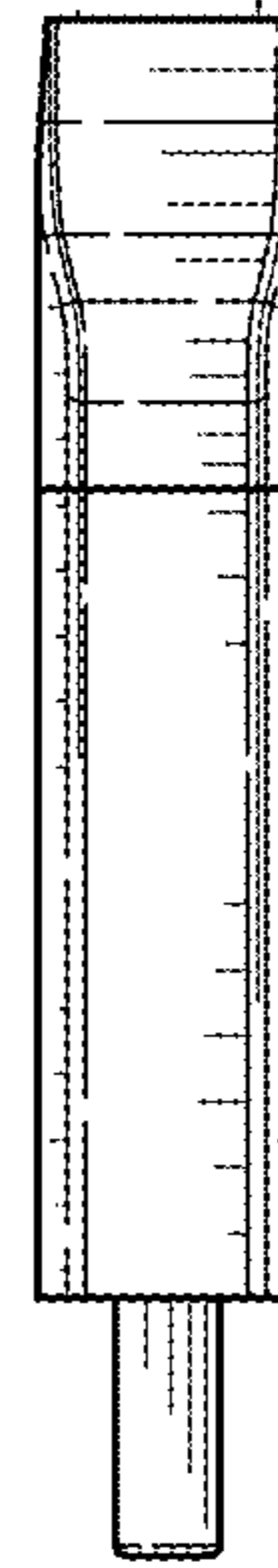


FIG. 5

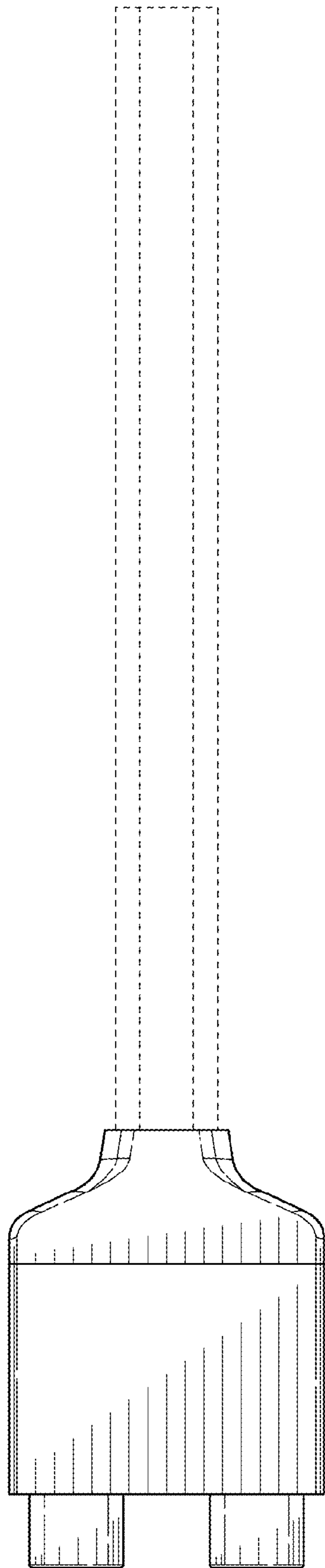


FIG. 6

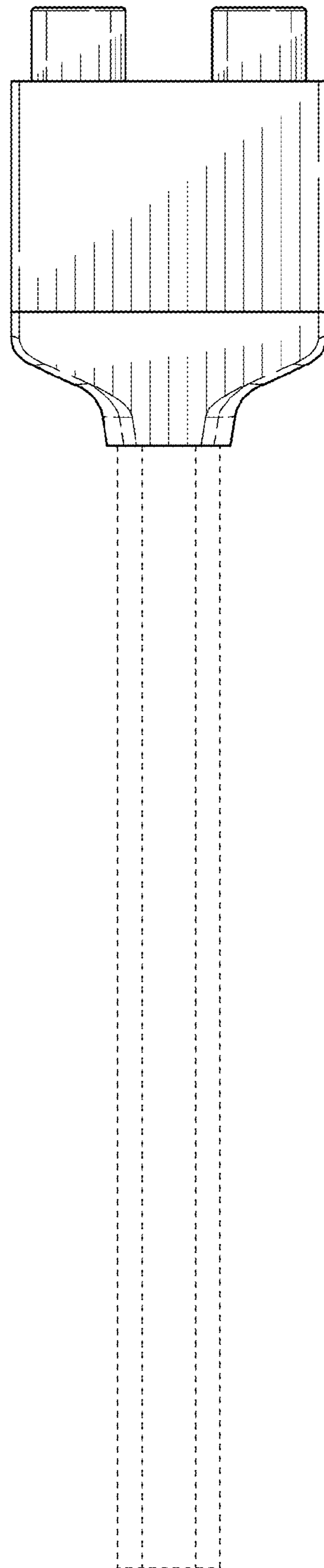


FIG. 7