



US00D895547S

(12) **United States Design Patent**
Kuo et al.

(10) **Patent No.:** **US D895,547 S**

(45) **Date of Patent:** **** Sep. 8, 2020**

(54) **LIGHT EMITTING DIODE DRIVER**

(71) Applicant: **Delta Electronics, Inc.**, Taoyuan (TW)

(72) Inventors: **Chun-Hung Kuo**, Taoyuan (TW);
Po-Heng Chao, Taoyuan (TW);
Jui-Ching Lee, Taoyuan (TW);
Ching-Ho Chou, Taoyuan (TW)

(73) Assignee: **DELTA ELECTRONICS, INC.**,
Taoyuan (TW)

(**) Term: **15 Years**

(21) Appl. No.: **29/690,141**

(22) Filed: **May 6, 2019**

(51) **LOC (12) Cl.** **13-10**

(52) **U.S. Cl.**
USPC **D13/110**

(58) **Field of Classification Search**
USPC D13/103, 104, 107, 110, 119, 120, 133,
D13/156

CPC H01R 13/641; H01M 2/1022; H01M
2/1027; H01M 2/1072; H01M 2/105;
H01M 2/1077; H02B 1/20

See application file for complete search history.

(56) **References Cited**

U.S. PATENT DOCUMENTS

D657,739 S *	4/2012	Miyawaki	D13/104
D705,719 S *	5/2014	Wong	D13/103
D711,821 S *	8/2014	Wang	D13/103
D759,587 S *	6/2016	Santos	D13/103
D762,565 S *	8/2016	Akana	D13/103
D775,073 S *	12/2016	Oshiba	D13/119
D812,000 S *	3/2018	Li	D13/108
D820,198 S *	6/2018	Smith	D13/103
D821,983 S *	7/2018	Shah	D13/168
D836,541 S *	12/2018	Lomeli	D13/107

D842,237 S *	3/2019	Qiu	D13/103
D844,560 S *	4/2019	Miller	D13/108
D852,742 S *	7/2019	Li	D13/110
D854,020 S *	7/2019	Liao	D14/434
D864,864 S *	10/2019	Xu	D13/110
D871,324 S *	12/2019	Roberts	D13/108
D872,020 S *	1/2020	Chen	D13/110
D872,021 S *	1/2020	Xu	D13/110
D875,044 S *	2/2020	Chen	D13/110
D875,681 S *	2/2020	Xu	D13/110
D876,350 S *	2/2020	Lai	D13/110
D877,075 S *	3/2020	Liao	D13/110
D879,715 S *	3/2020	Brendel	D13/110
D879,716 S *	3/2020	Chuang	D13/110
10,608,216 B2 *	3/2020	Lee	H01M 2/1077
D881,455 S *	4/2020	Wright	D27/162
D881,459 S *	4/2020	Ouyang	D27/162
D881,462 S *	4/2020	Wright	D27/162
2008/0050645 A1 *	2/2008	Kai	H01M 2/1077 429/61
2009/0123821 A1 *	5/2009	Kim	H05K 1/182 429/124

(Continued)

Primary Examiner — Susan Bennett Hattan

Assistant Examiner — Suzanne E Tisdell

(74) *Attorney, Agent, or Firm* — Muncy, Geissler, Olds & Lowe, P.C.

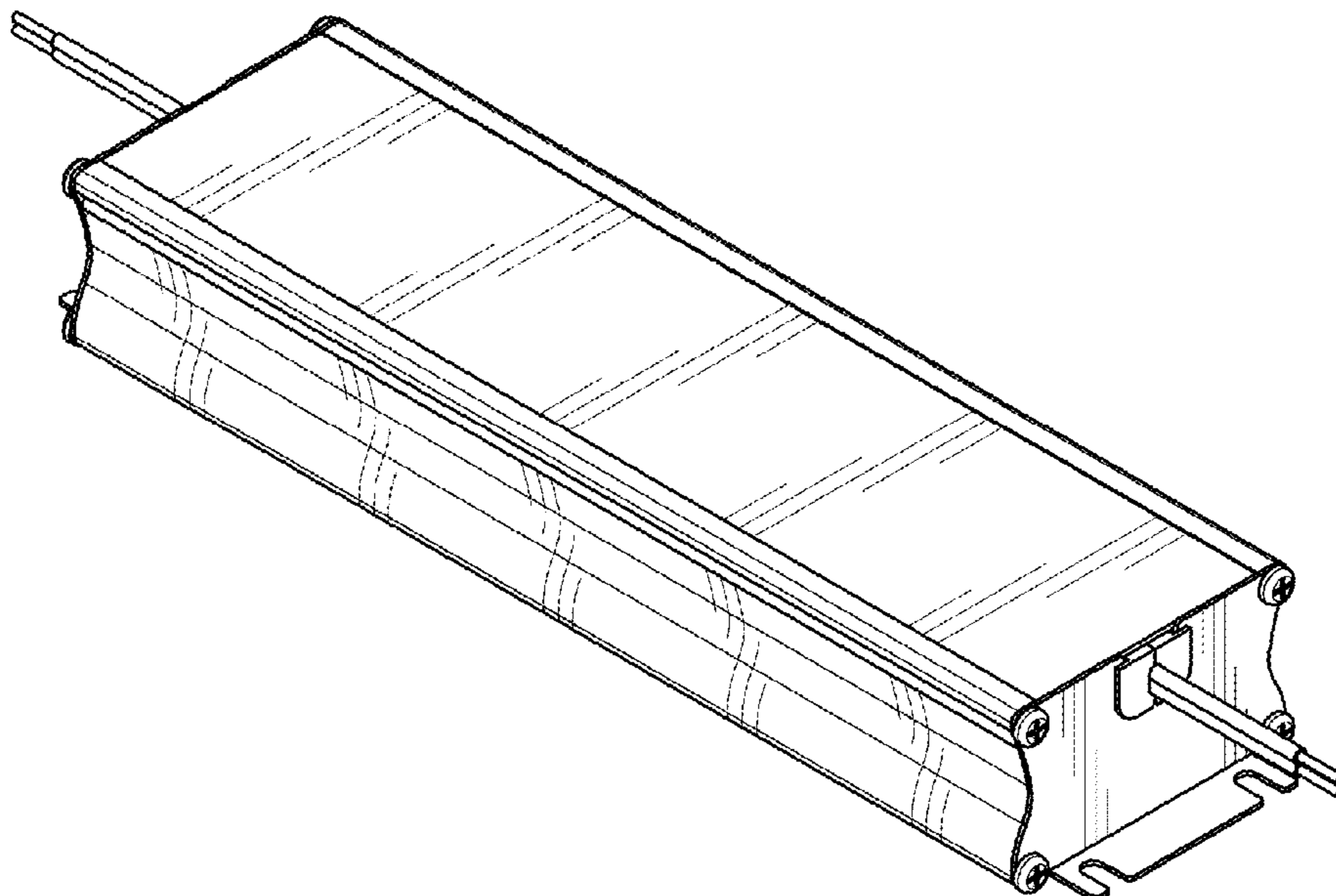
(57) **CLAIM**

The ornamental design for a light emitting diode driver, as shown and described.

DESCRIPTION

FIG. 1 is a perspective view thereof;
FIG. 2 is a front view thereof;
FIG. 3 is a rear view thereof;
FIG. 4 is a left side view thereof;
FIG. 5 is a right side view thereof;
FIG. 6 is a top view thereof; and,
FIG. 7 is a bottom view thereof.

1 Claim, 6 Drawing Sheets



(56)

References Cited

U.S. PATENT DOCUMENTS

2011/0070465 A1* 3/2011 Kim H01M 10/4257
429/7
2015/0207181 A1* 7/2015 Fink H01M 10/425
429/7
2017/0264059 A1* 9/2017 Cote H01R 13/717
2019/0131678 A1* 5/2019 Kim H01M 10/613
2019/0189982 A1* 6/2019 Lee H01M 10/0472
2019/0198952 A1* 6/2019 Choi H01M 2/204

* cited by examiner

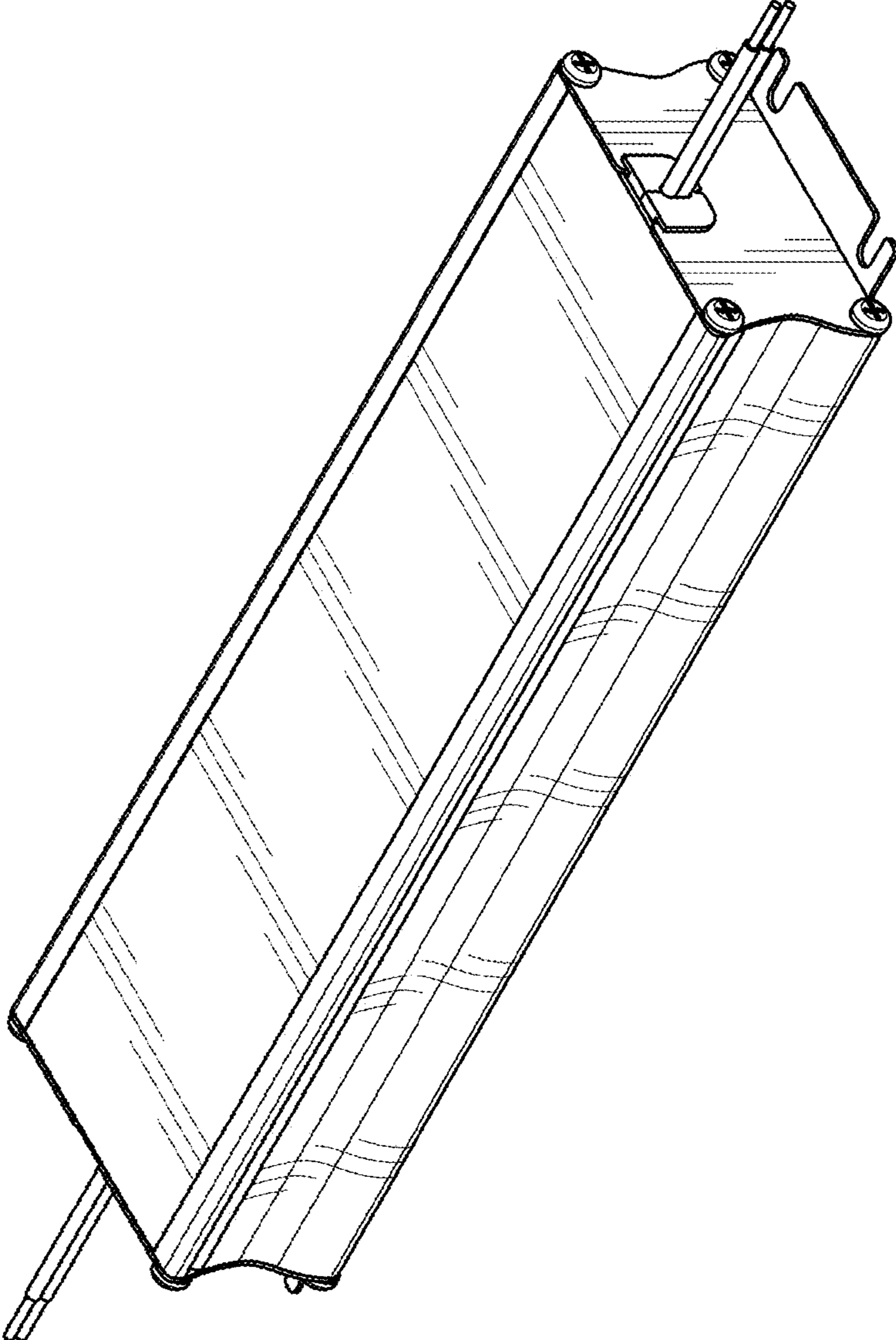


FIG. 1

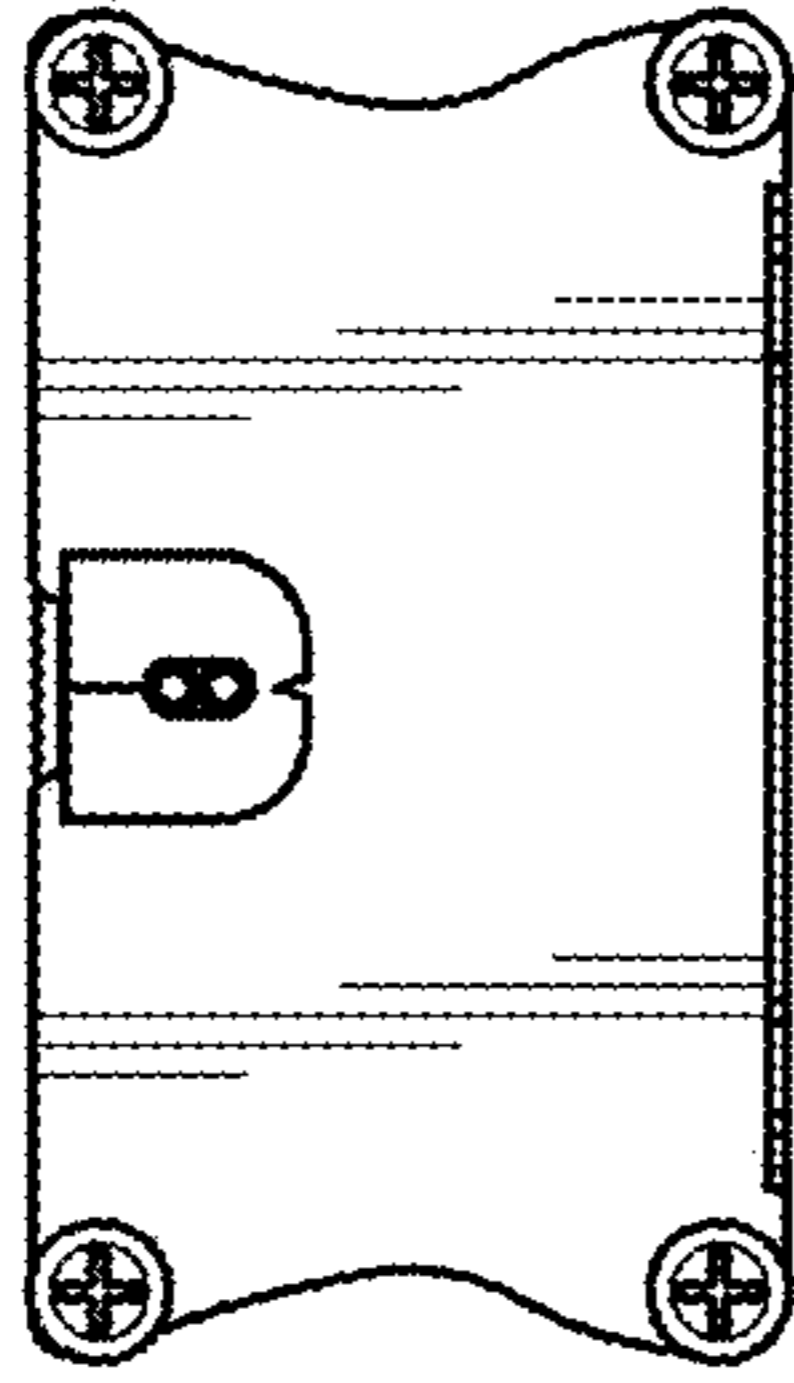


FIG. 2

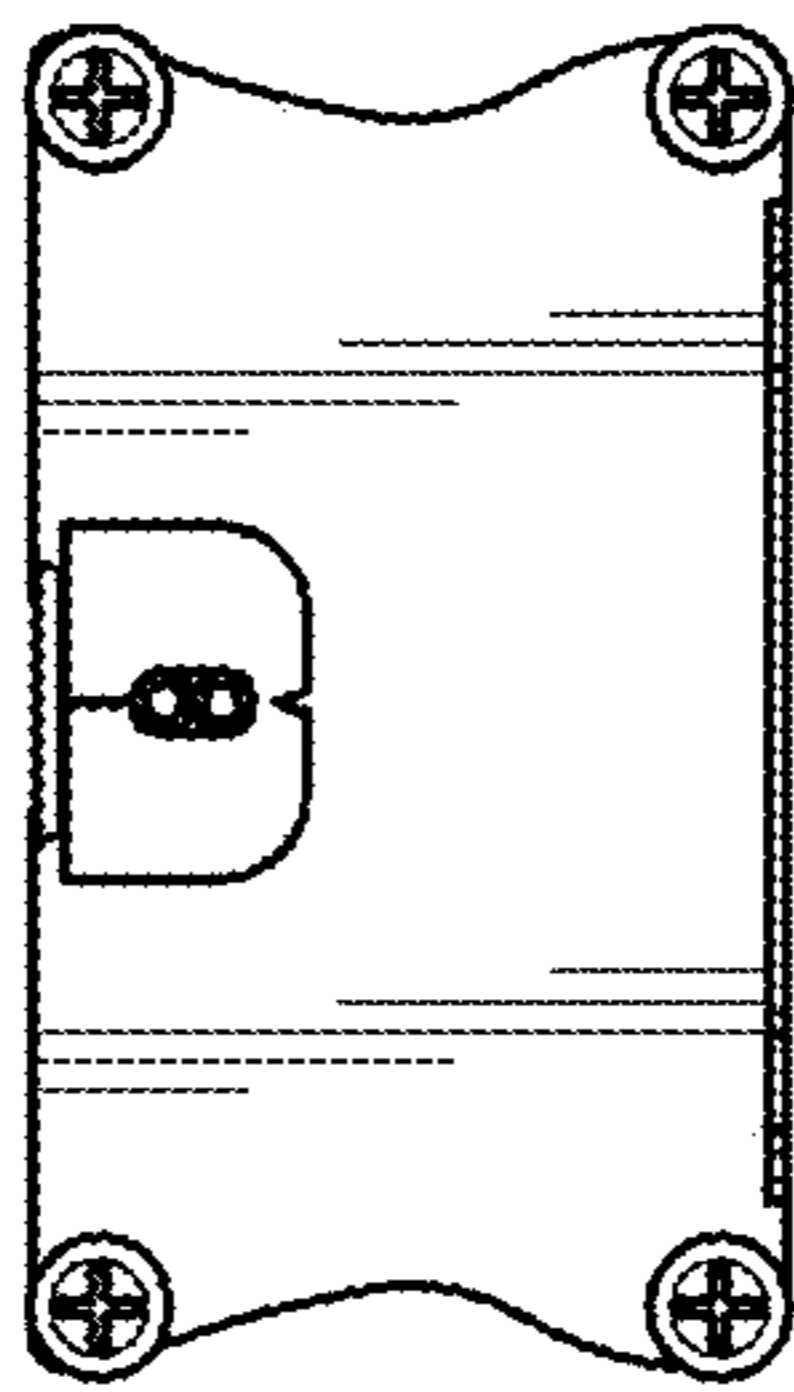


FIG. 3

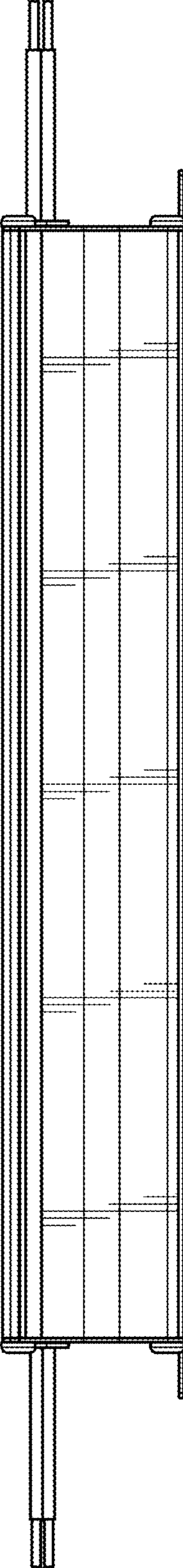


FIG. 4

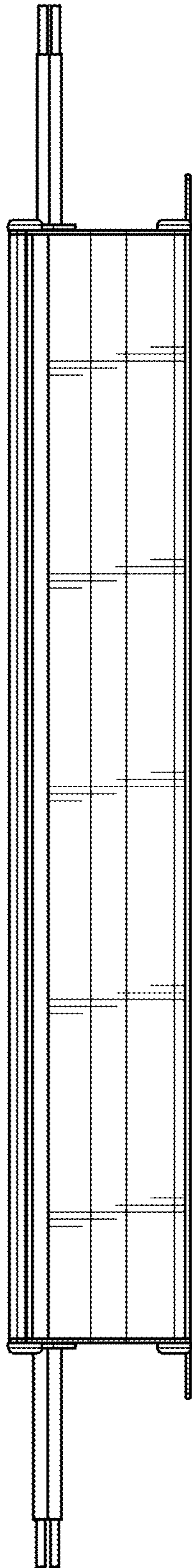


FIG. 5

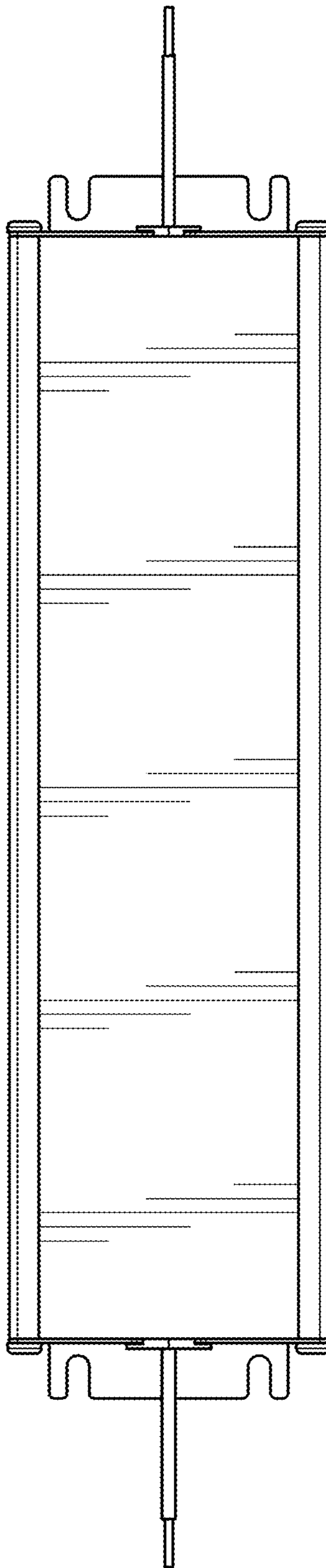


FIG. 6

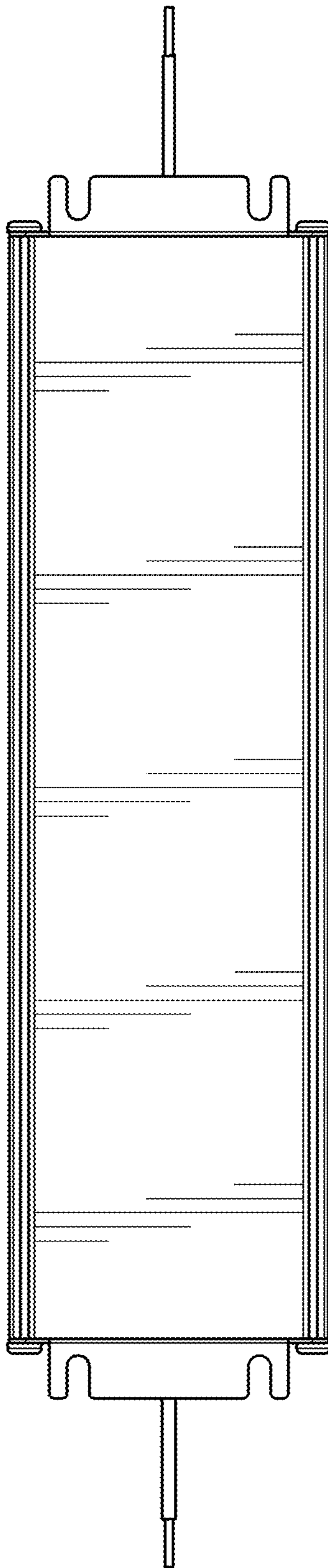


FIG. 7